



US00D847713S

(12) **United States Design Patent** (10) **Patent No.:** **US D847,713 S**  
**Swisher et al.** (45) **Date of Patent:** **\*\* May 7, 2019**

(54) **LICENSE PLATE FRAME**  
(71) Applicants: **Chad E. Swisher**, Austin, TX (US);  
**Anthony S. Lopez**, Austin, TX (US)  
(72) Inventors: **Chad E. Swisher**, Austin, TX (US);  
**Anthony S. Lopez**, Austin, TX (US)  
(\*\*) Term: **15 Years**  
(21) Appl. No.: **29/669,089**  
(22) Filed: **Nov. 5, 2018**  
(51) **LOC (11) Cl.** ..... **12-16**  
(52) **U.S. Cl.**  
USPC ..... **D12/193**  
(58) **Field of Classification Search**  
USPC ..... D12/193; D6/300, 301, 302, 310, 311,  
D6/312, 313, 314; D20/13  
CPC ..... B60R 13/10; B60R 13/105; B60R 19/24;  
B60R 19/52  
See application file for complete search history.

D602,831 S \* 10/2009 Spencer ..... D12/193  
D625,234 S 10/2010 Vuletic  
D676,792 S \* 2/2013 Benjamini ..... D12/193  
D695,174 S 12/2013 Kang  
D713,771 S 9/2014 Kuo  
D718,690 S 12/2014 Marksteiner  
D758,267 S \* 6/2016 Marko, Jr. .... D12/193  
D777,632 S 1/2017 Perez  
D784,879 S \* 4/2017 Liao ..... D12/193  
D784,880 S 4/2017 Liao  
D818,917 S \* 5/2018 Addy ..... D12/193  
D824,307 S 7/2018 Spencer  
D824,828 S \* 8/2018 Marksteiner ..... D12/193  
10,053,029 B2 \* 8/2018 Georgiadis ..... G09F 21/048  
2006/0156595 A1 7/2006 Kasak  
2012/0279099 A1 \* 11/2012 Kuo ..... B60R 13/105  
40/209

\* cited by examiner

*Primary Examiner* — Natasha Vujcic  
(74) *Attorney, Agent, or Firm* — Mitchell Law PLLC;  
Matthew W. Mitchell

(57) **CLAIM**

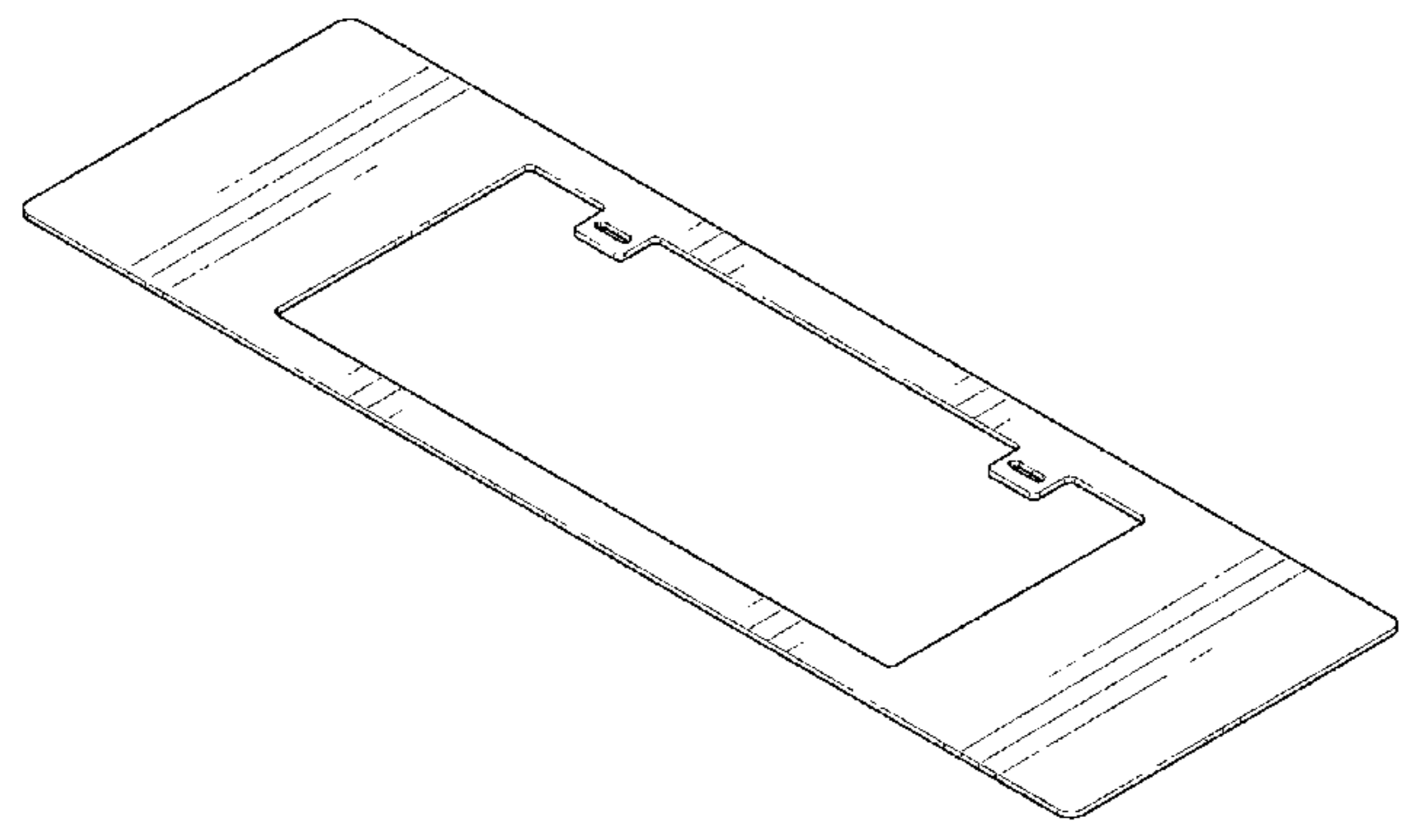
The ornamental design for a license plate frame, as shown and described.

**DESCRIPTION**

FIG. 1 is a front isometric view of a license plate frame of the present invention;  
FIG. 2 is a front view thereof;  
FIG. 3 is a bottom side view, the top side view being a mirror image thereof; and,  
FIG. 4 is a left-side view the right-side view being a mirror image thereof.

**1 Claim, 4 Drawing Sheets**

(56) **References Cited**  
U.S. PATENT DOCUMENTS  
D285,784 S \* 9/1986 Langensiepen ..... D12/193  
D301,863 S \* 6/1989 Iacovelli ..... D12/193  
5,029,053 A 7/1991 Solow  
D342,929 S \* 1/1994 Spencer ..... D12/193  
D370,450 S \* 6/1996 Doan ..... D12/193  
D382,241 S 8/1997 Moureaux  
D413,847 S \* 9/1999 Hartmann ..... D12/193  
D428,843 S \* 8/2000 Steinhagen ..... D12/193  
D545,259 S \* 6/2007 Stahel, Jr. .... D12/193  
D566,023 S \* 4/2008 Pacleb ..... D12/193  
D576,934 S \* 9/2008 Hirth ..... D12/193  
D579,391 S \* 10/2008 Lin ..... D12/193



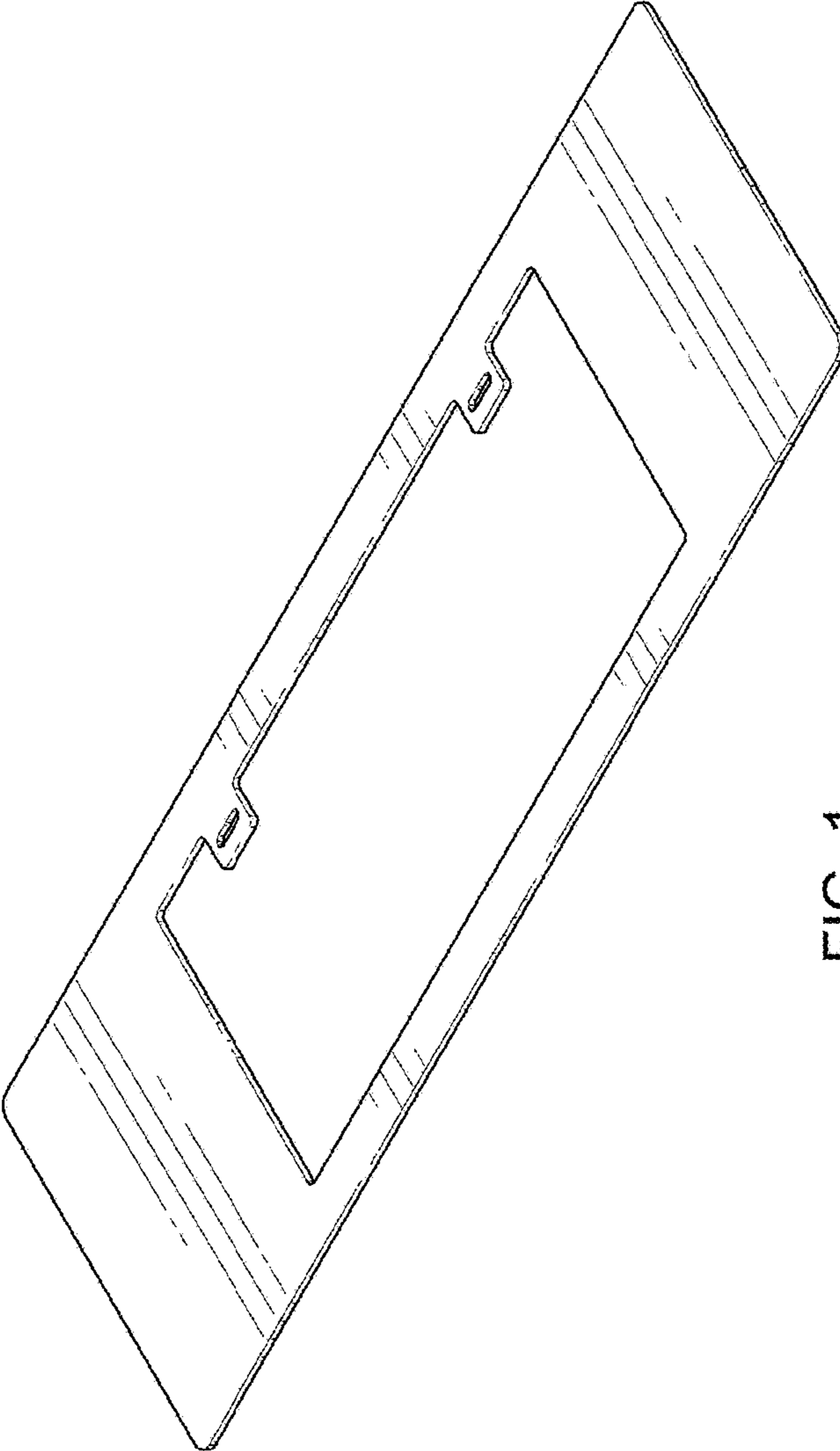


FIG. 1

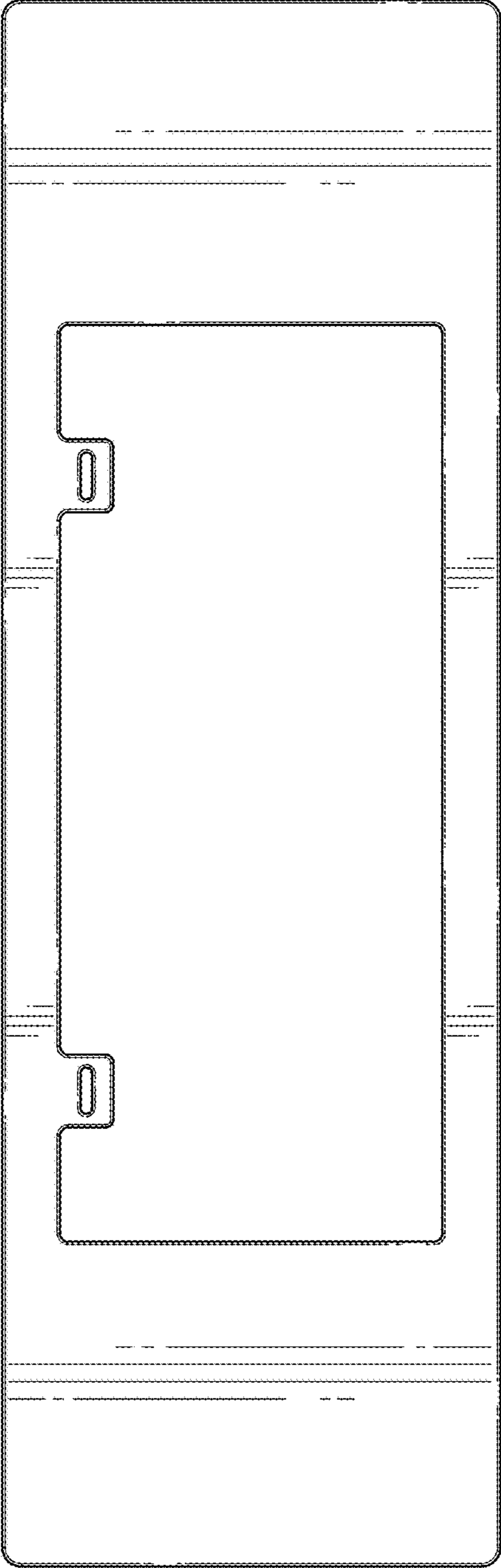


FIG. 2



FIG. 3



FIG. 4