



US00D847709S

(12) **United States Design Patent** (10) **Patent No.:** **US D847,709 S**  
**Neal** (45) **Date of Patent:** **\*\* May 7, 2019**

(54) **VEHICLE BUMPER**  
(71) Applicant: **Omix-Ada, Inc.**, Suwanee, GA (US)  
(72) Inventor: **Jesse Neal**, Dacula, GA (US)  
(73) Assignee: **OMIX-ADA, INC.**, Sunwanee, GA (US)  
(\*\*) Term: **15 Years**

D454,817 S 3/2002 McGuiness  
D455,684 S 3/2002 McGuiness  
D455,988 S \* 4/2002 McGuiness ..... D12/171  
D460,030 S 7/2002 Duckett et al.  
D462,640 S 9/2002 Sakae  
6,520,553 B2 2/2003 Muramatsu  
D473,167 S 4/2003 Shiono  
D473,168 S 4/2003 Hayashi  
D497,853 S 11/2004 Yanase  
D498,716 S 11/2004 Maeda et al.  
D502,433 S \* 3/2005 McClanahan ..... D12/169  
(Continued)

(21) Appl. No.: **29/625,553**  
(22) Filed: **Nov. 10, 2017**  
(51) **LOC (11) Cl.** ..... **12-16**  
(52) **U.S. Cl.**  
USPC ..... **D12/171; D12/169**  
(58) **Field of Classification Search**  
USPC ..... D12/86, 90, 91, 92, 163, 164, 169, 171,  
D12/196, 216  
CPC ..... B60R 19/02; B60R 19/18; B60R 19/24;  
B60R 19/56; B60R 2019/007; B62D  
25/0845  
See application file for complete search history.

**OTHER PUBLICATIONS**

Potentially Related U.S. Appl. No. 29/579,007, filed Sep. 27, 2016, granted as Patent No. D800,036 on Oct. 17, 2017.  
(Continued)

*Primary Examiner* — Darlington Ly  
(74) *Attorney, Agent, or Firm* — The Dobrusin Law Firm, P.C.; Daniel P. Aleksynas

(57) **CLAIM**

The ornamental design for a vehicle bumper, as shown and described.

(56) **References Cited**

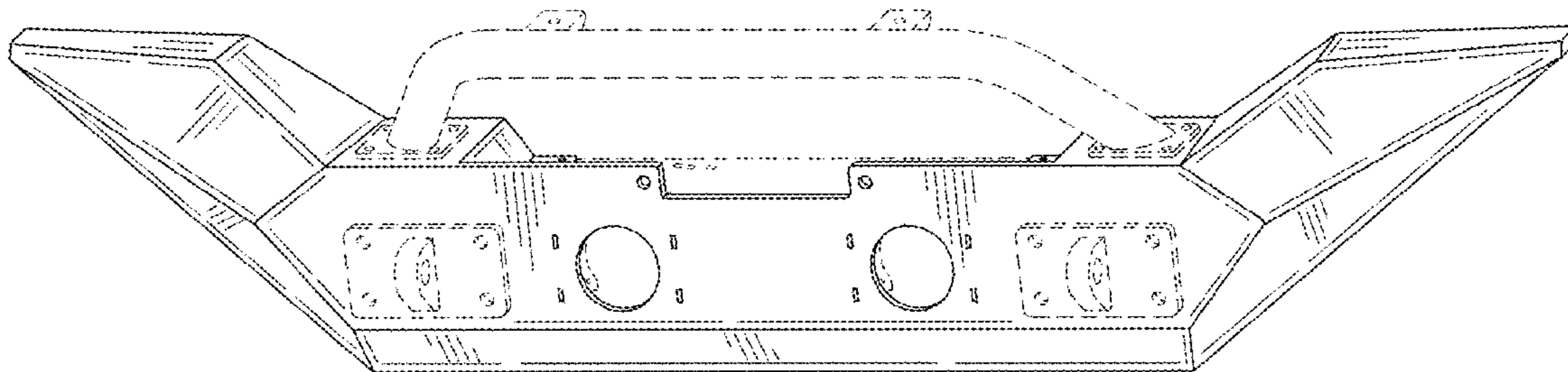
**U.S. PATENT DOCUMENTS**

1,531,022 A 3/1925 Pancoast  
D100,599 S 7/1936 Fitness  
D109,385 S 4/1938 Bade  
D115,146 S 1/1939 Falcon  
D116,071 S 8/1939 Walklet  
D137,040 S 1/1944 Cadwallader  
D127,664 S 6/1947 Walker  
2,731,289 A 1/1956 Corydon, II  
D300,128 S \* 3/1989 Brennan ..... D12/169  
D360,865 S 8/1995 Hanson  
D375,067 S \* 10/1996 Bronstein ..... D12/169  
D432,469 S \* 10/2000 Nelson ..... D12/169  
D454,098 S \* 3/2002 McGuiness ..... D12/171  
D454,099 S 3/2002 McGuiness  
D454,525 S 3/2002 McGuiness

**DESCRIPTION**

FIG. 1 is front and right side perspective view of a vehicle bumper showing my new design;  
FIG. 2 is a rear and right side perspective view thereof;  
FIG. 3 is a right side elevation view thereof, to which the left side elevation view is a mirror image;  
FIG. 4 is a front elevation view thereof;  
FIG. 5 is a rear elevation view thereof;  
FIG. 6 is a top plan view thereof; and,  
FIG. 7 is a bottom plan view thereof.  
The broken lines in the drawings illustrate portions of the vehicle bumper that form no part of the claimed design.

**1 Claim, 4 Drawing Sheets**



(56)

References Cited

U.S. PATENT DOCUMENTS

D503,133 S 3/2005 Pfeiffer et al.  
 D503,134 S 3/2005 Pfeiffer et al.  
 D508,441 S 8/2005 Moushegian et al.  
 D513,213 S 12/2005 Sato  
 D515,991 S 2/2006 Hanaoka  
 D531,940 S 11/2006 McCuller et al.  
 D534,105 S 12/2006 Schiavone et al.  
 D534,106 S 12/2006 Matei  
 D535,594 S 1/2007 Schiavone et al.  
 D537,391 S 2/2007 Shimoguchi et al.  
 D538,208 S 3/2007 Golden et al.  
 D540,723 S 4/2007 Schiavone et al.  
 D541,709 S 5/2007 Lau et al.  
 D541,712 S 5/2007 Golden et al.  
 D544,418 S 6/2007 Kono  
 D556,649 S 12/2007 Beigel et al.  
 D565,466 S 4/2008 Moushegian et al.  
 D570,748 S 6/2008 Nakamura et al.  
 D590,752 S 4/2009 Williams et al.  
 D600,602 S 9/2009 Endoh  
 D604,678 S 11/2009 Walter et al.  
 7,703,834 B1\* 4/2010 Hardy ..... B60R 9/06  
 296/102  
 D647,013 S 10/2011 Ito et al.  
 D649,088 S 11/2011 Hu et al.  
 D649,909 S 12/2011 Mullen  
 D664,485 S 7/2012 Xu et al.  
 D668,594 S 10/2012 Davidson et al.  
 D670,623 S 11/2012 Koehl et al.  
 D678,139 S 3/2013 Aikawa et al.  
 8,393,656 B2 3/2013 Hardy et al.  
 D679,226 S 4/2013 Schmeckpeper  
 D682,169 S 5/2013 Choi  
 D683,281 S 5/2013 Harriton  
 D684,904 S 6/2013 Tase et al.  
 D686,119 S 7/2013 Futschik et al.  
 D690,630 S 10/2013 Kazama  
 D693,279 S 11/2013 Dunkel  
 D695,167 S 12/2013 Platto et al.  
 D697,842 S 1/2014 Harriton  
 8,764,080 B2 7/2014 Hardy et al.  
 D713,305 S 9/2014 Sperling et al.  
 D722,927 S 2/2015 Schroeder  
 D732,443 S 6/2015 Won

D733,019 S 6/2015 Burki et al.  
 D734,689 S 7/2015 Hashimoto  
 D737,181 S 8/2015 Smith  
 D743,856 S 11/2015 Ma  
 D744,384 S \* 12/2015 Harriton ..... D12/169  
 D744,386 S 12/2015 Harriton  
 D744,387 S \* 12/2015 Harriton ..... D12/169  
 D744,389 S 12/2015 Kawasaki  
 D751,012 S \* 3/2016 Hare ..... D12/169  
 D760,133 S \* 6/2016 Bennett ..... D12/171  
 D771,537 S \* 11/2016 Hare ..... D12/169  
 D775,013 S \* 12/2016 Bennett ..... D12/169  
 D775,016 S \* 12/2016 Reynolds ..... D12/171  
 D775,032 S 12/2016 Palmer et al.  
 D776,582 S \* 1/2017 Bennett ..... D12/169  
 D777,619 S \* 1/2017 Barajas ..... D12/167  
 D782,935 S 4/2017 Knox  
 D792,817 S \* 7/2017 McMath ..... D12/169  
 D792,818 S \* 7/2017 McMath ..... D12/169  
 D793,304 S \* 8/2017 McMath ..... D12/169  
 D794,519 S \* 8/2017 McMath ..... D12/169  
 D796,399 S \* 9/2017 Steen ..... D12/169  
 D800,036 S \* 10/2017 Bennett ..... D12/169  
 D803,734 S 11/2017 Bennett et al.  
 D826,115 S \* 8/2018 Chi ..... D12/172  
 D833,922 S \* 11/2018 DiCanzio ..... D12/163  
 2006/0192398 A1 8/2006 Buniewicz  
 2009/0302623 A1 12/2009 Finney  
 2017/0088076 A1\* 3/2017 Fujimoto ..... B60R 19/44

OTHER PUBLICATIONS

Potentially Related U.S. Appl. No. 29/544,317, filed Nov. 2, 2015, granted as Patent No. D776,582 on Jan. 17, 2017.  
 Potentially Related U.S. Appl. No. 29/561,615, filed Apr. 18, 2016, granted as Patent No. D775,013 on Dec. 27, 2016.  
 "Off Road Truck Bumper Buyer's Guide." Four Wheeler., Aug. 1, 2007 [online], <http://www.fourwheeler.com/how-to/0808or-off-road-truck-bumper-buyers-guide/>, last accessed Dec. 18, 2018.  
 "My Build Thread." F150 Forum., Jul. 12, 2012 [online], <https://www.f150forum.com/f78/my-build-thread-122171/index122/#post1866793>, last accessed Dec. 18, 2018.  
 Potentially Related U.S. Appl. No. 29/508,103, filed Nov. 3, 2014, granted as Patent No. D760,133 on Jun. 28, 2016.  
 Potentially Related U.S. Appl. No. 29/667,659, filed Oct. 23, 2018.  
 Potentially Related U.S. Appl. No. 29/667,267, filed Oct. 19, 2018.

\* cited by examiner

FIG. 1

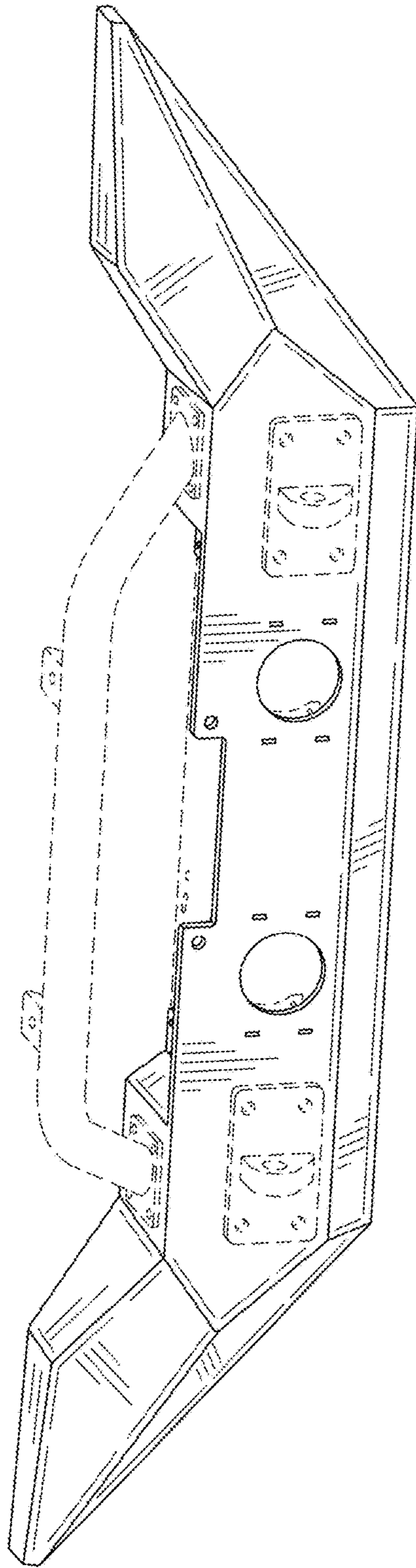
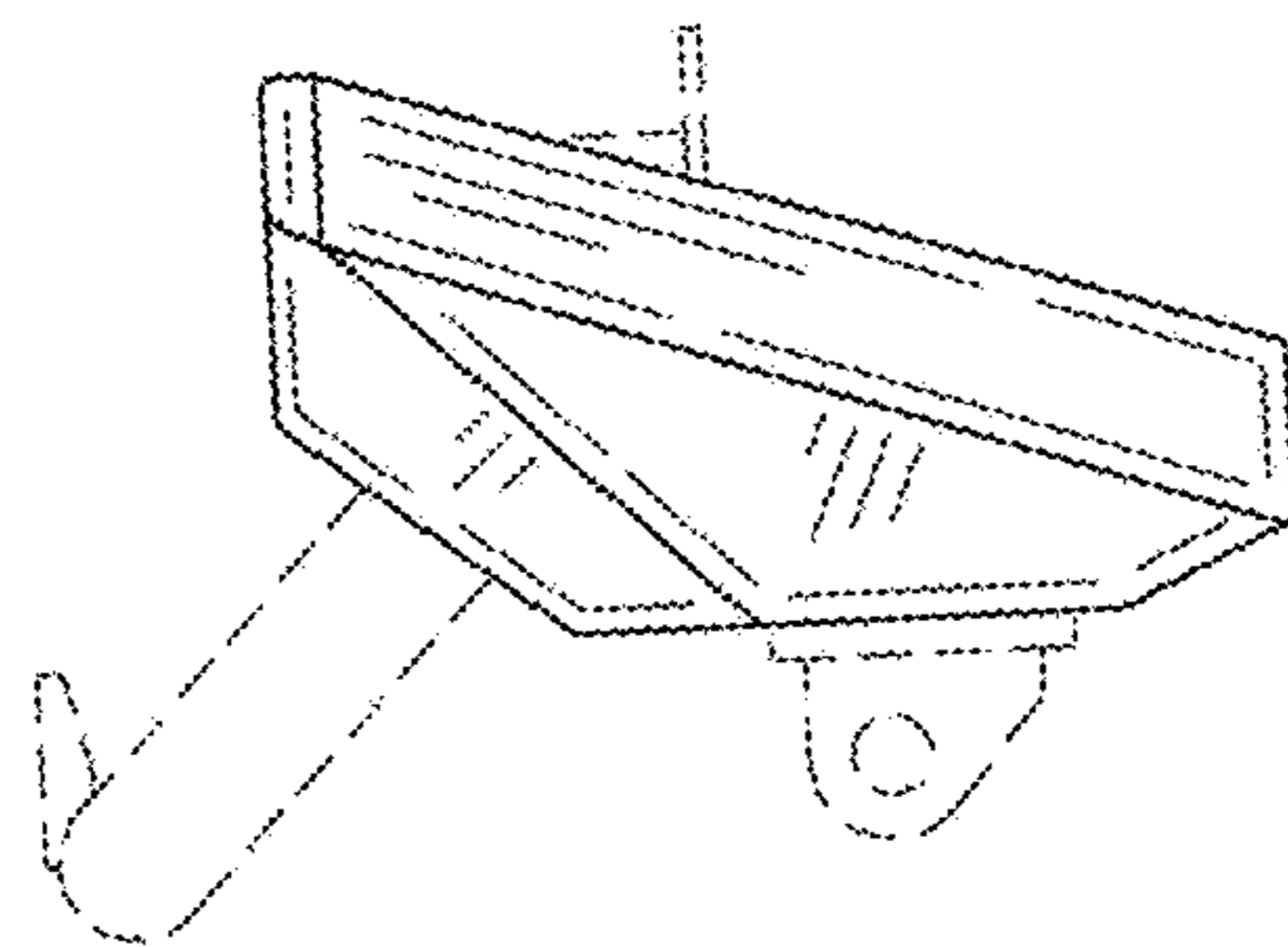


FIG. 3





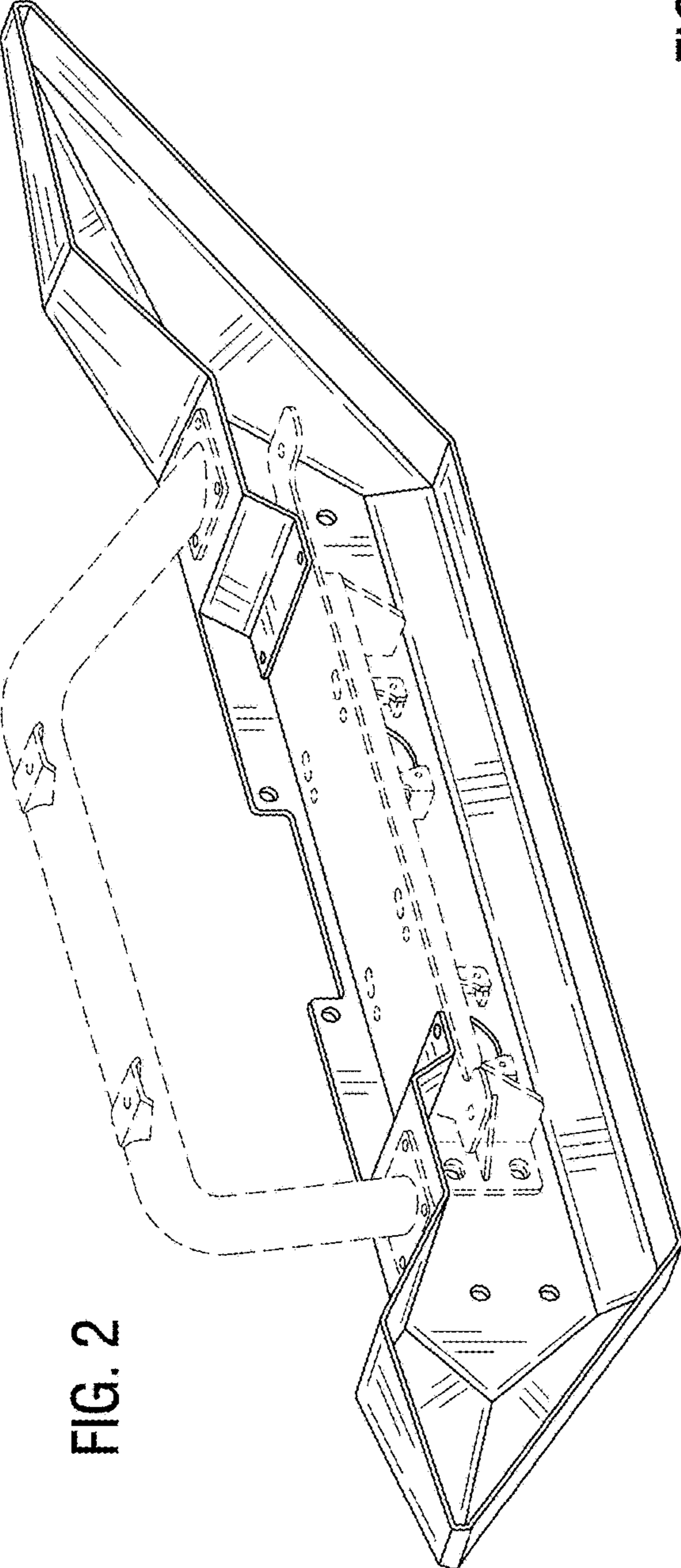


FIG. 2

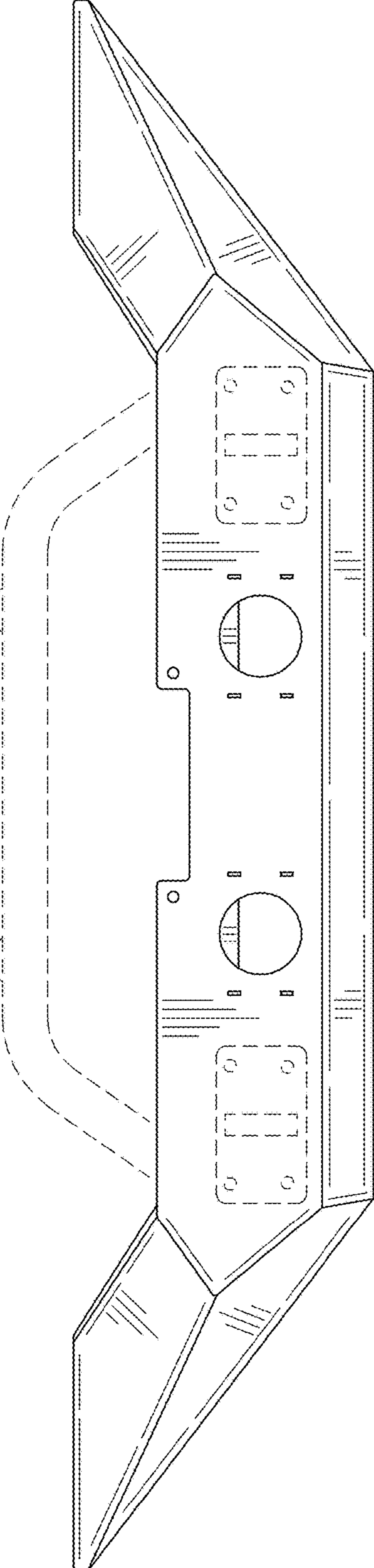


FIG. 4

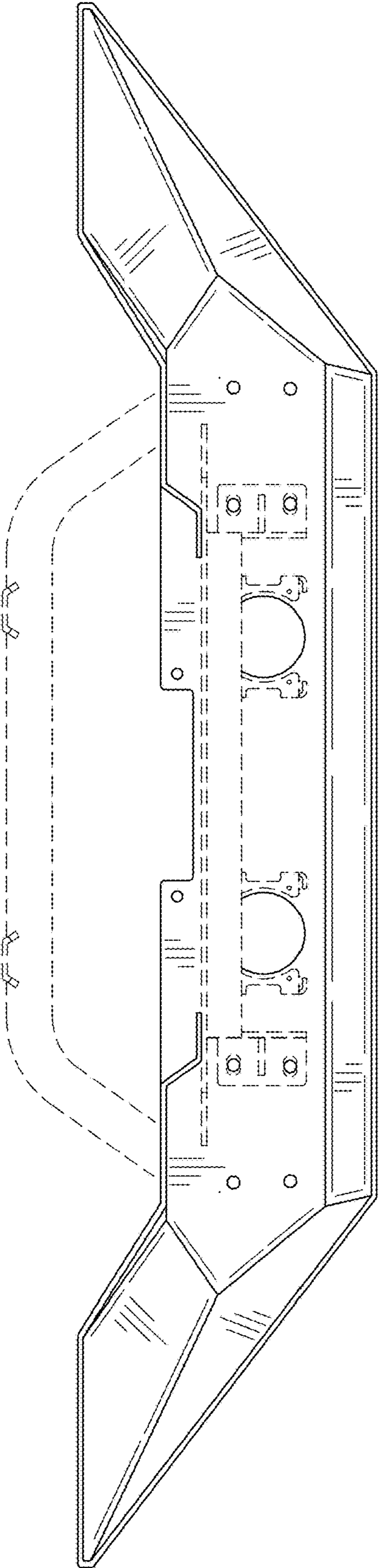


FIG. 5

FIG. 6

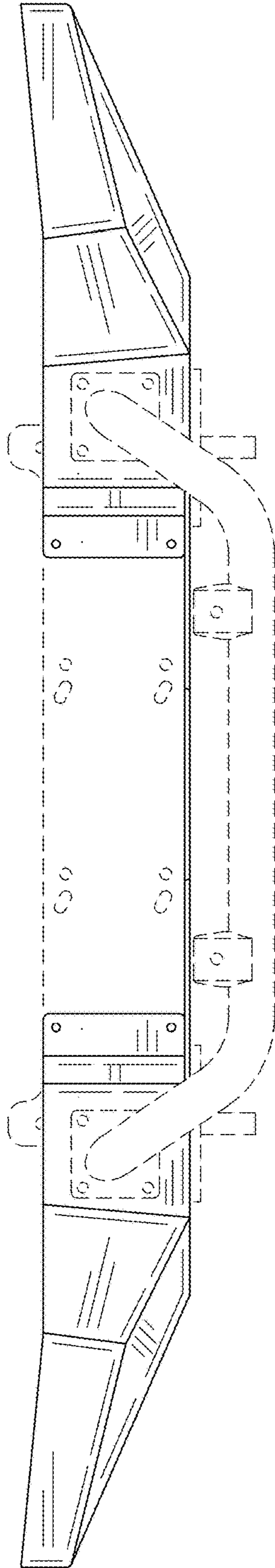


FIG. 7

