



US00D847698S

(12) **United States Design Patent** (10) **Patent No.:** **US D847,698 S**  
**Moore** (45) **Date of Patent:** **\*\* May 7, 2019**

(54) **UNIVERSAL HITCH**  
(71) Applicant: **Attach and Save, LLC**, Celebration, FL (US)  
(72) Inventor: **Larry Thomas Moore**, Kissimmee, FL (US)  
(73) Assignee: **Attach and Save, LLC**, Celebration, FL (US)  
(\*\*) Term: **15 Years**  
(21) Appl. No.: **29/638,976**  
(22) Filed: **Mar. 2, 2018**  
(51) **LOC (11) Cl.** ..... **12-16**  
(52) **U.S. Cl.**  
USPC ..... **D12/162**  
(58) **Field of Classification Search**  
USPC ..... D12/159-162  
CPC . B60D 1/60; B60D 1/065; B60D 1/00; B60D 1/06  
See application file for complete search history.

D803,108 S \* 11/2017 Liu ..... D12/162  
D809,953 S \* 2/2018 Gilmore ..... D11/3  
D814,549 S \* 4/2018 Carnevali ..... D16/242  
D834,464 S \* 11/2018 Cincunegui ..... D12/162  
2003/0057678 A1 3/2003 Barton  
2004/0201201 A1 10/2004 Causey, Jr.  
2006/0186639 A1 8/2006 Rosario  
2012/0032416 A1 2/2012 Frantz  
2015/0137484 A1 5/2015 Columbia  
2017/0087947 A1 3/2017 Moore

\* cited by examiner  
*Primary Examiner* — Katrina A Betton  
(74) *Attorney, Agent, or Firm* — Brian S. Steinberger;  
Law Offices of Brian. S. Steinberger, P.A.

(57) **CLAIM**  
The ornamental design for a universal hitch, as shown and described.

**DESCRIPTION**  
FIG. 1 is an upper front right perspective view of the universal hitch.  
FIG. 2 is a lower front right perspective view of the universal hitch of FIG. 1.  
FIG. 3 is an upper front left perspective view of the universal hitch of FIG. 1.  
FIG. 4 is a lower front left perspective view of the universal hitch of FIG. 1.  
FIG. 5 is a front view of the universal hitch of FIG. 1.  
FIG. 6 is a rear view of the universal hitch of FIG. 1.  
FIG. 7 is a right side view of the universal hitch of FIG. 1.  
FIG. 8 is a left side view of the universal hitch of FIG. 1.  
FIG. 9 is a top view of the universal hitch of FIG. 1; and, FIG. 10 is bottom view of the universal hitch of FIG. 1.

**1 Claim, 10 Drawing Sheets**

(56) **References Cited**  
U.S. PATENT DOCUMENTS  
3,759,548 A 9/1973 Kothmann  
4,291,893 A 9/1981 Hansen  
6,802,523 B1 10/2004 Profitt  
9,333,821 B1 5/2016 Rosario  
D773,345 S \* 12/2016 Borkholder ..... D12/162  
D778,211 S \* 2/2017 DePietro ..... D12/162  
D790,408 S \* 6/2017 Wymore ..... D12/162  
D795,756 S \* 8/2017 McCuskey ..... D12/162  
D797,010 S \* 9/2017 Verboeket ..... D12/162  
D797,011 S \* 9/2017 Madison ..... D12/162  
D797,012 S \* 9/2017 DePietro ..... D12/162

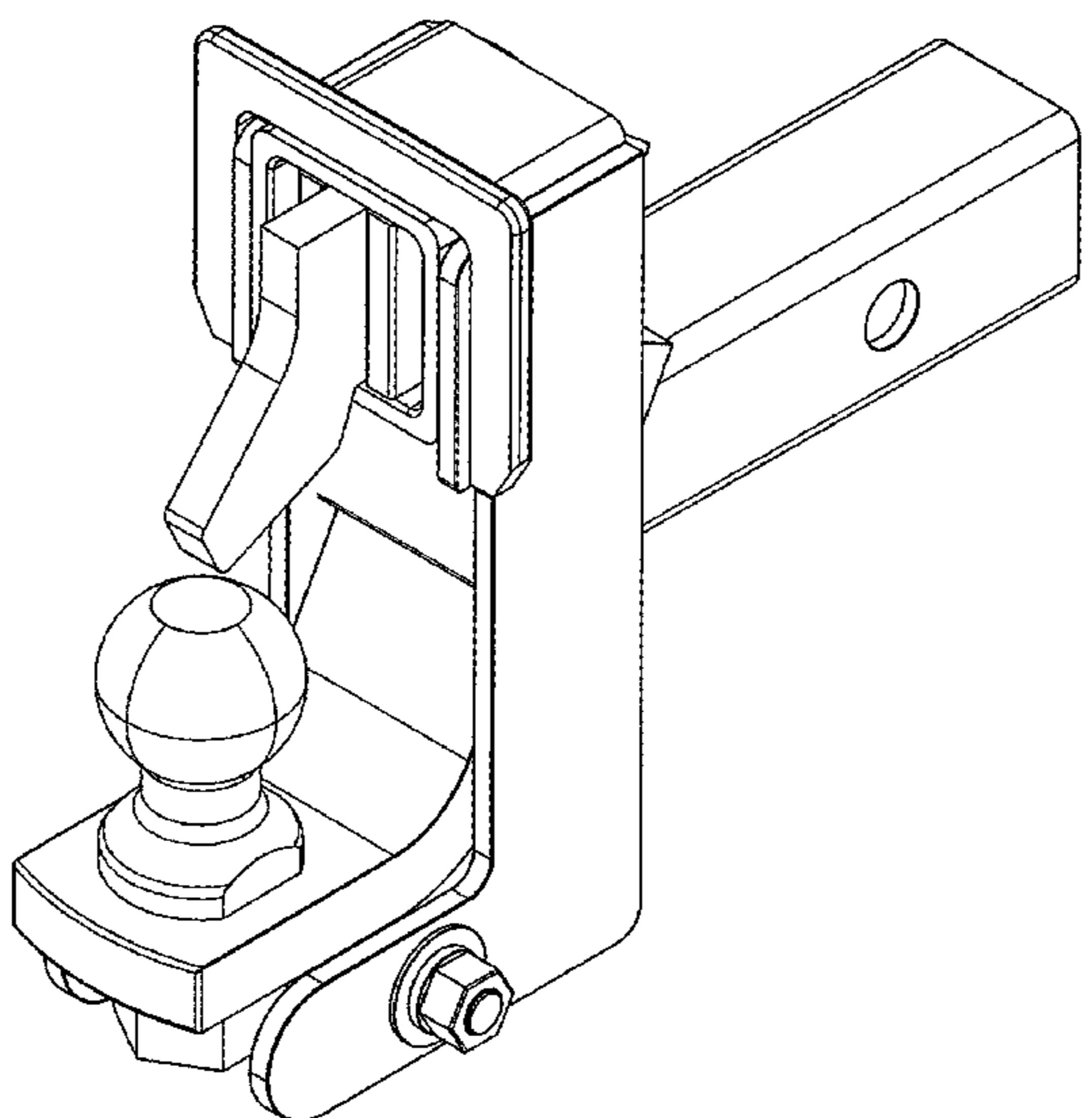
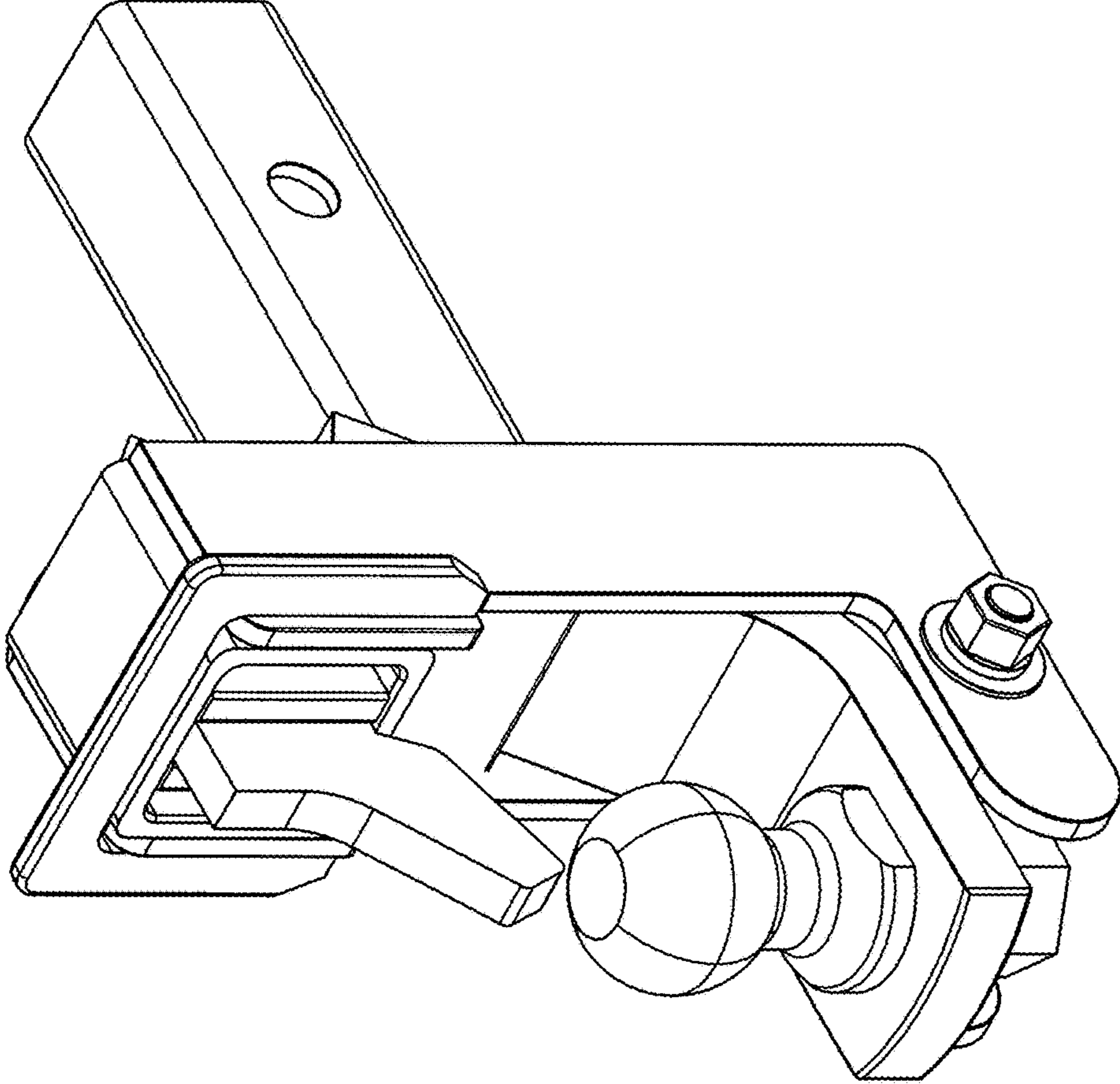


FIG. 1



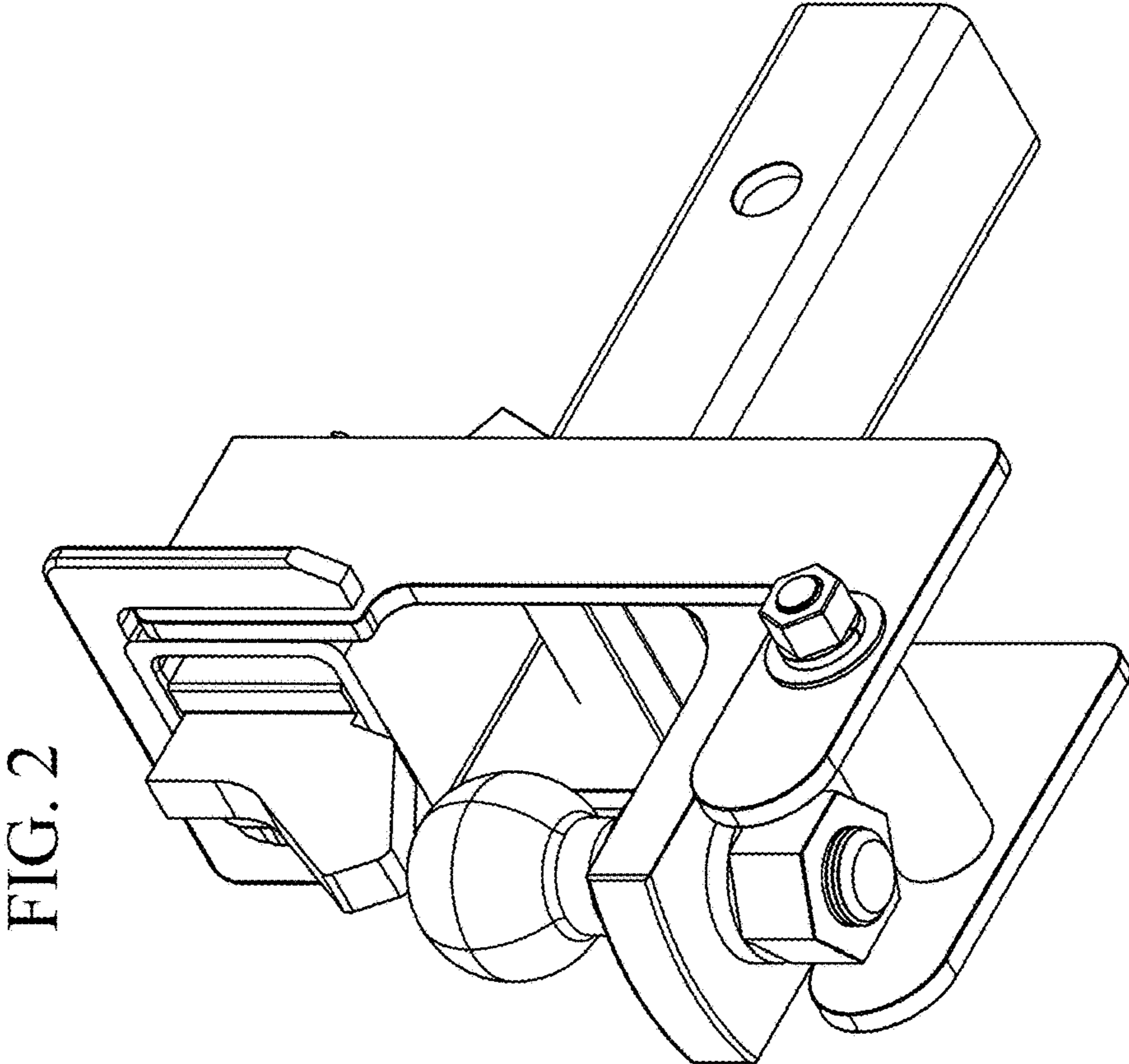


FIG. 2

FIG. 3

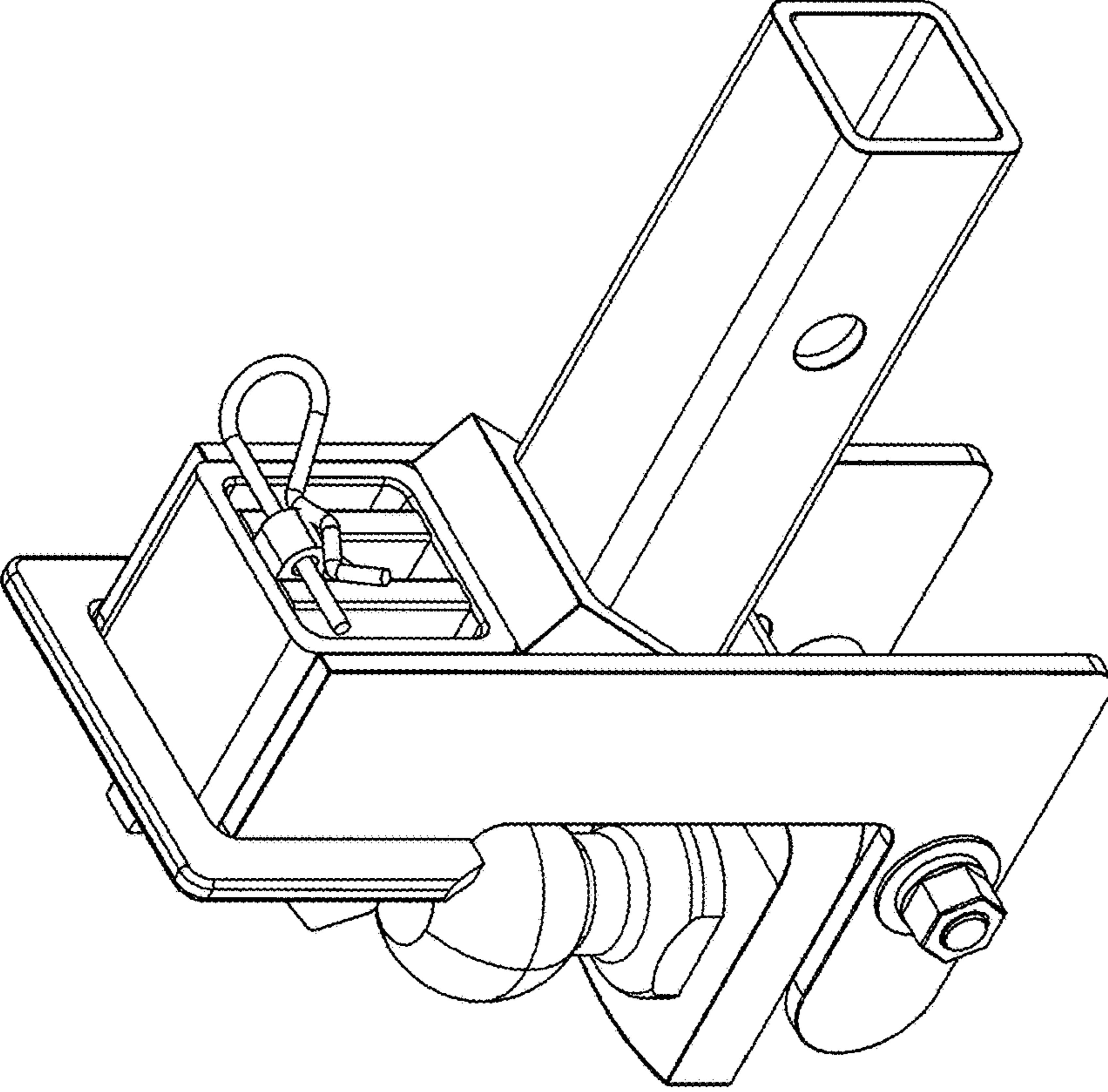


FIG. 4

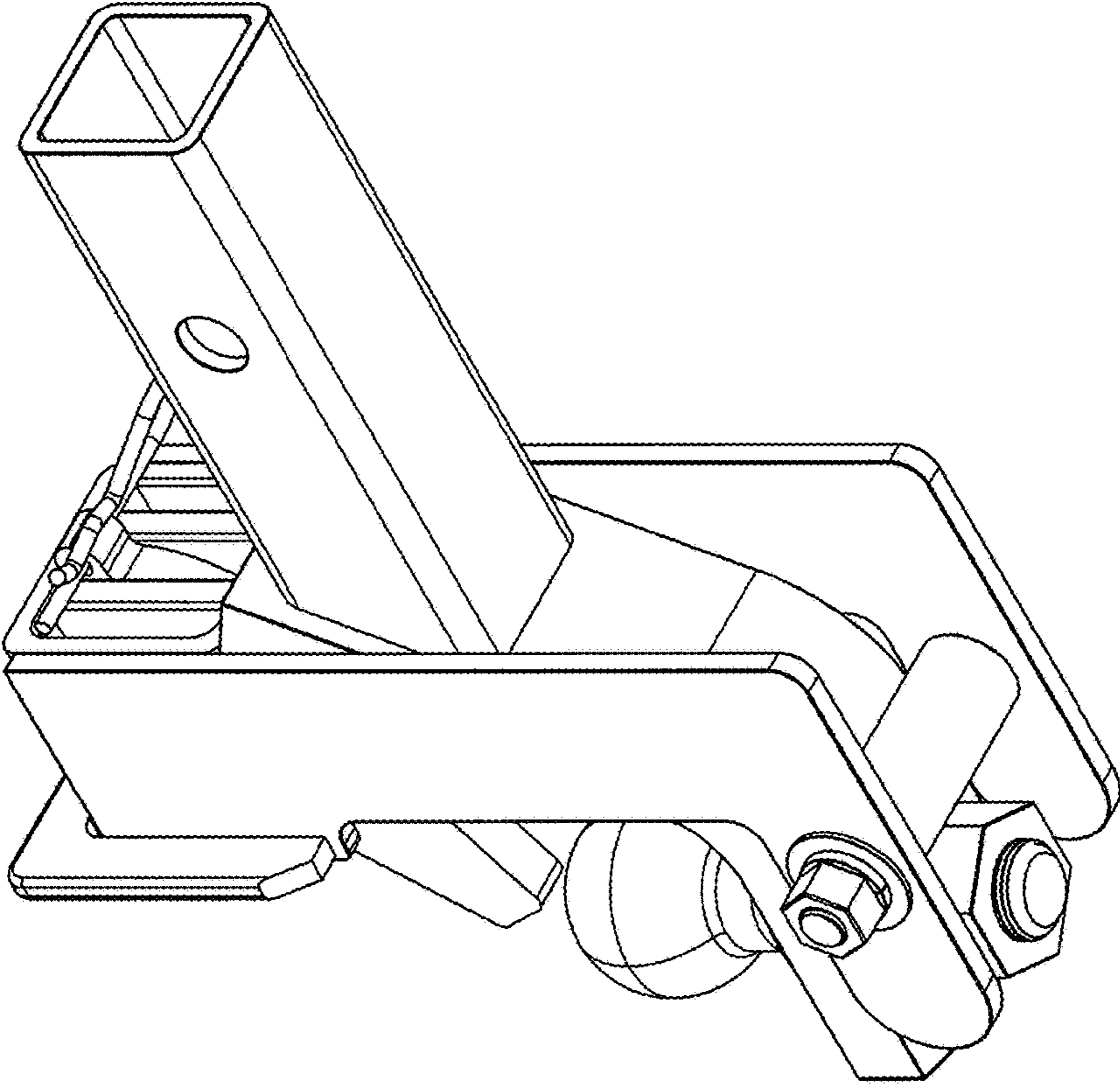




FIG. 5

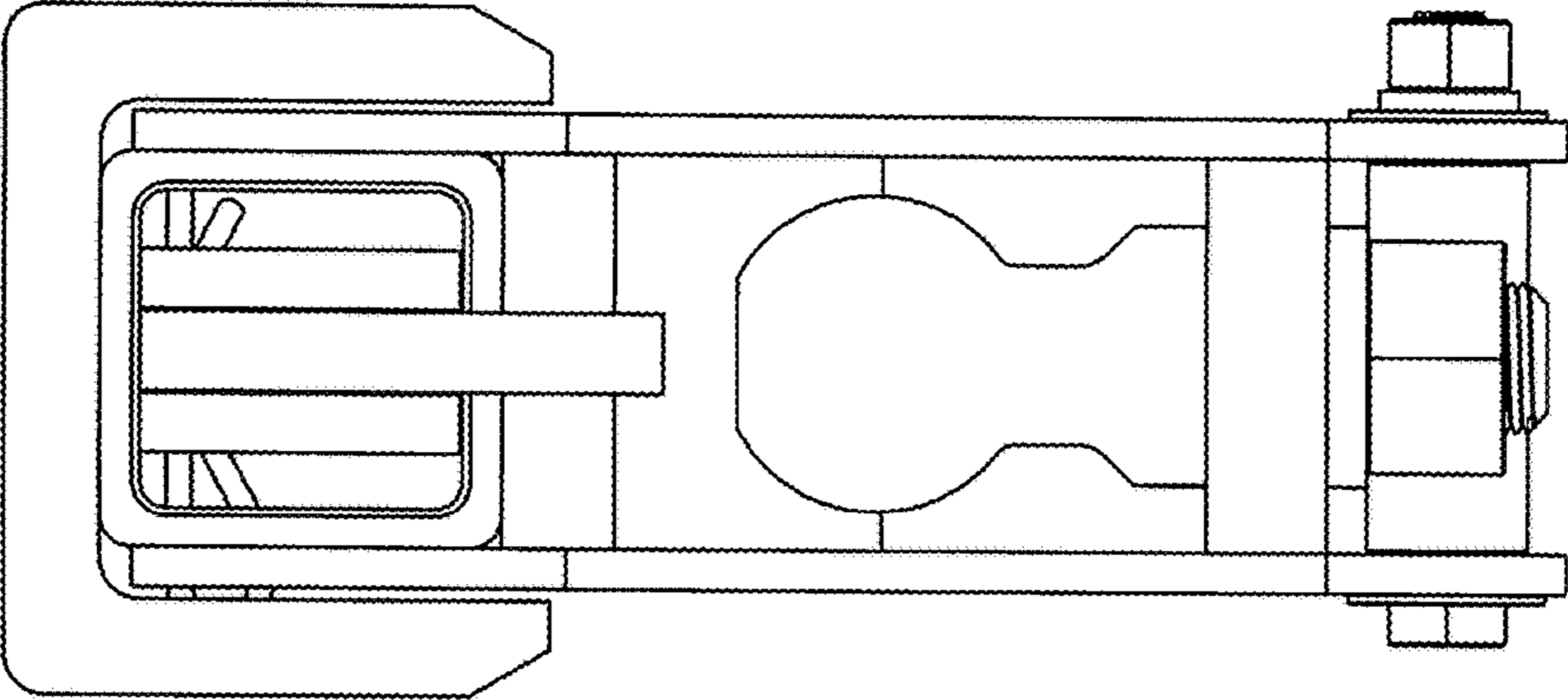


FIG. 6

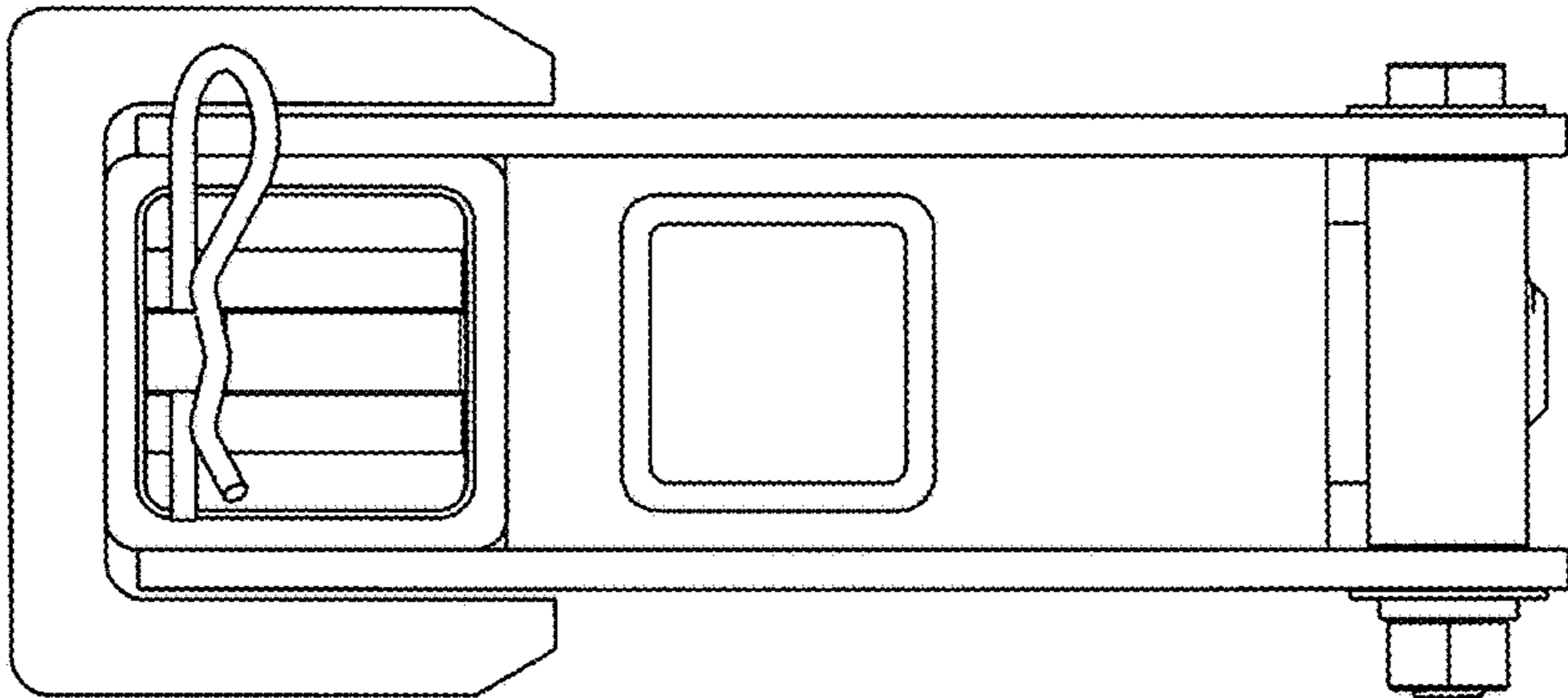


FIG. 7

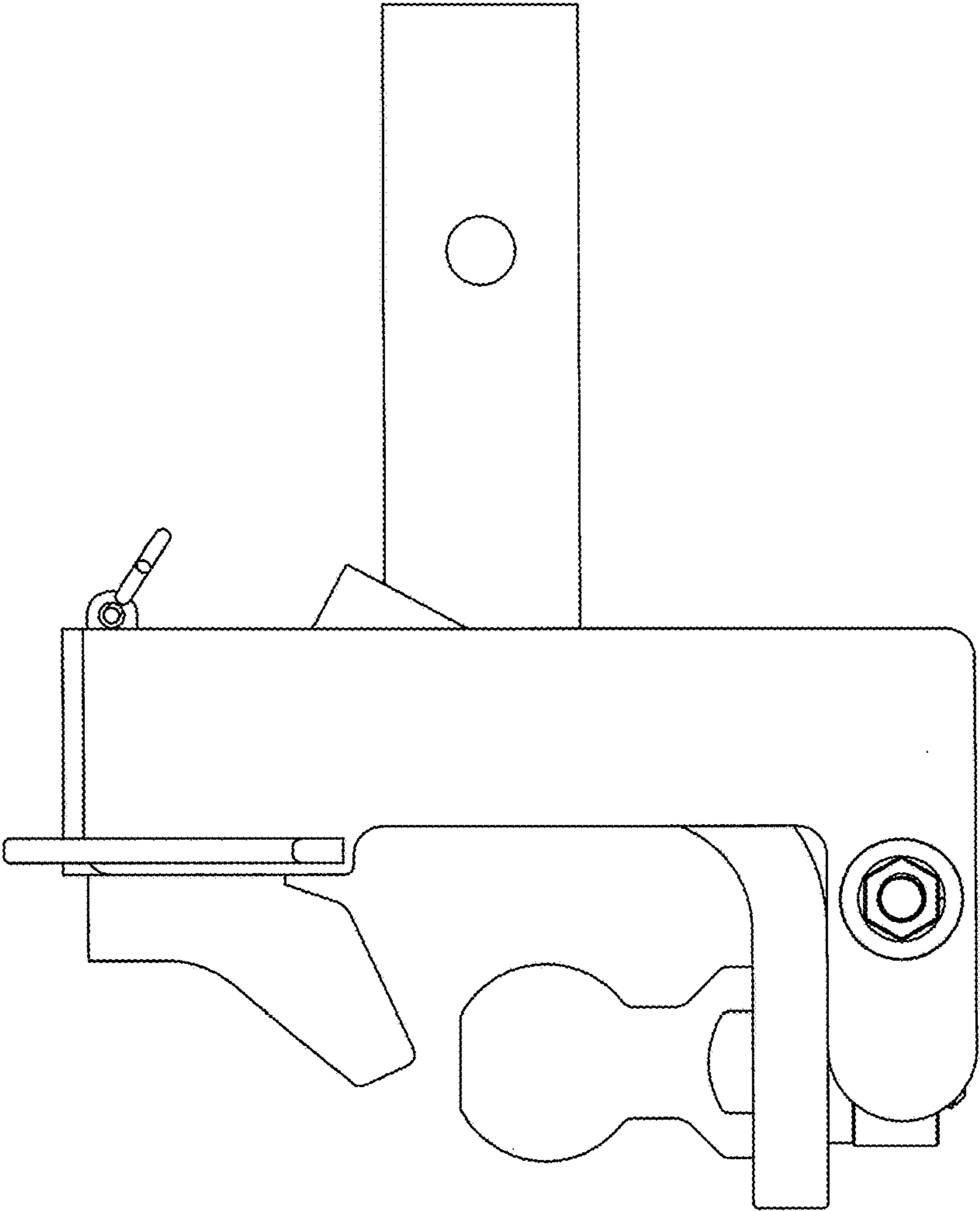




FIG. 8

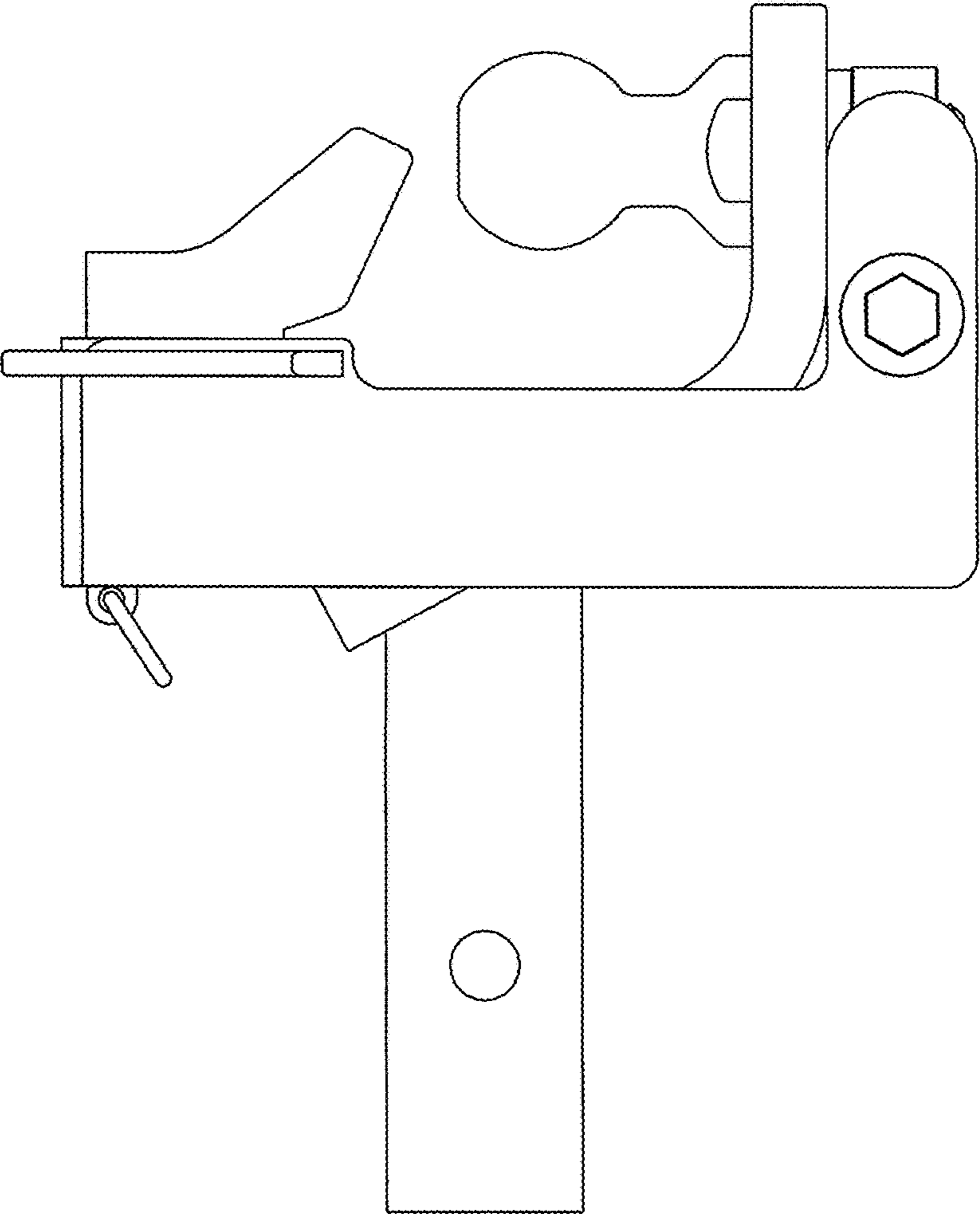


FIG. 9

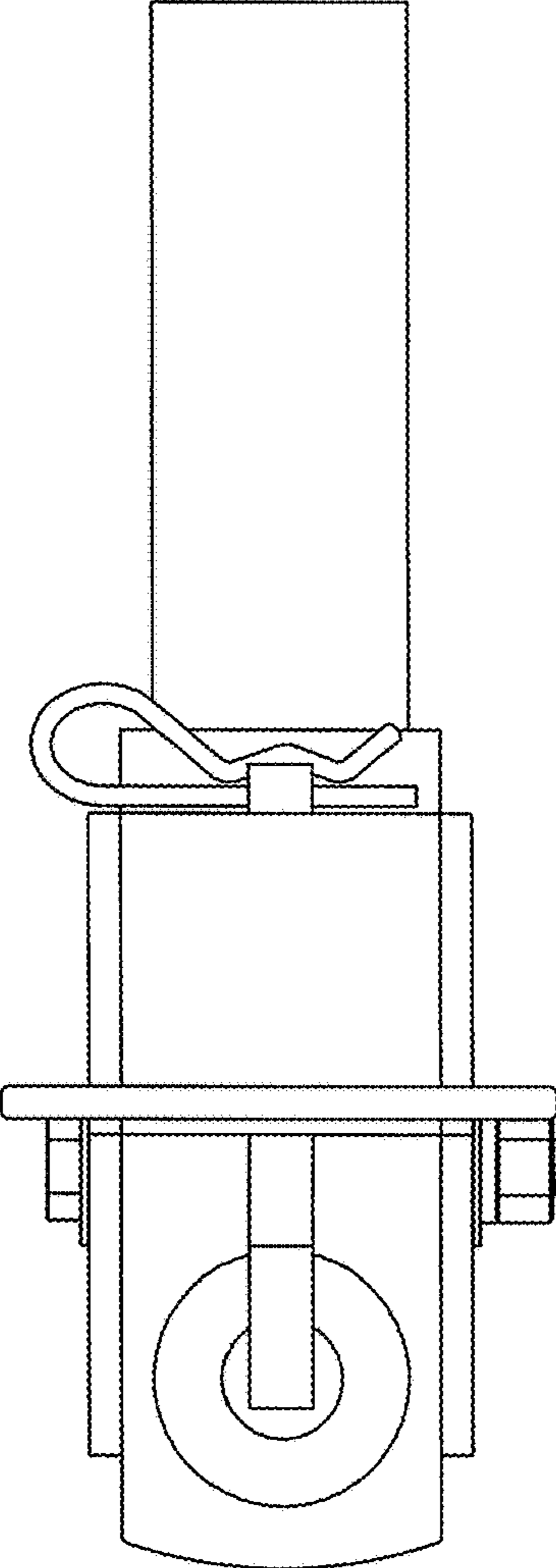


FIG. 10

