



US00D847697S

(12) **United States Design Patent**
McCuskey

(10) **Patent No.:** **US D847,697 S**

(45) **Date of Patent:** **** May 7, 2019**

(54) **ADJUSTABLE TRAILER HITCH**
(71) Applicant: **Scott McCuskey**, Boardman, OH (US)
(72) Inventor: **Scott McCuskey**, Boardman, OH (US)
(**) Term: **15 Years**

8,256,790 B2 * 9/2012 Fortner B60D 1/06
280/478.1
8,366,136 B2 * 2/2013 Svihla B60D 1/06
280/477
8,672,200 B2 * 3/2014 O'Hare B60R 9/06
224/519
D703,588 S * 4/2014 Wyers D12/162
D795,756 S * 8/2017 McCuskey D12/162

(21) Appl. No.: **29/612,254**
(22) Filed: **Jul. 31, 2017**
(51) **LOC (11) Cl.** **12-16**
(52) **U.S. Cl.**
USPC **D12/162**
(58) **Field of Classification Search**
USPC D12/159, 160, 161, 162, 203, 223, 400
CPC B60D 1/06; B60D 1/46; B60R 9/06
See application file for complete search history.

* cited by examiner

Primary Examiner — Susan E Krakower
Assistant Examiner — Jerry Shiuhan-Hua Hsu
(74) *Attorney, Agent, or Firm* — Harpman & Harpman

(57) **CLAIM**

The ornamental design for an adjustable trailer hitch, as shown and described.

(56) **References Cited**

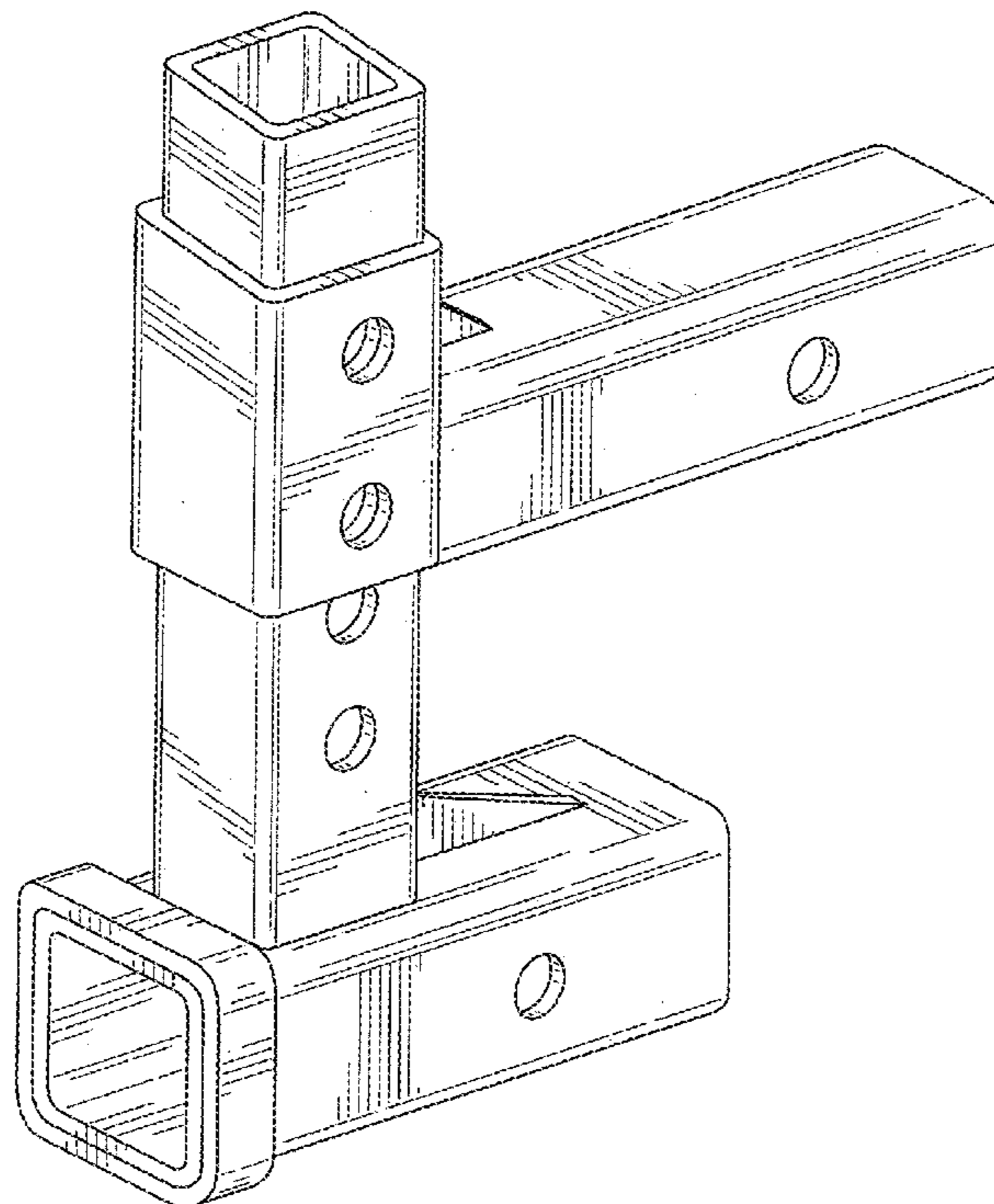
U.S. PATENT DOCUMENTS

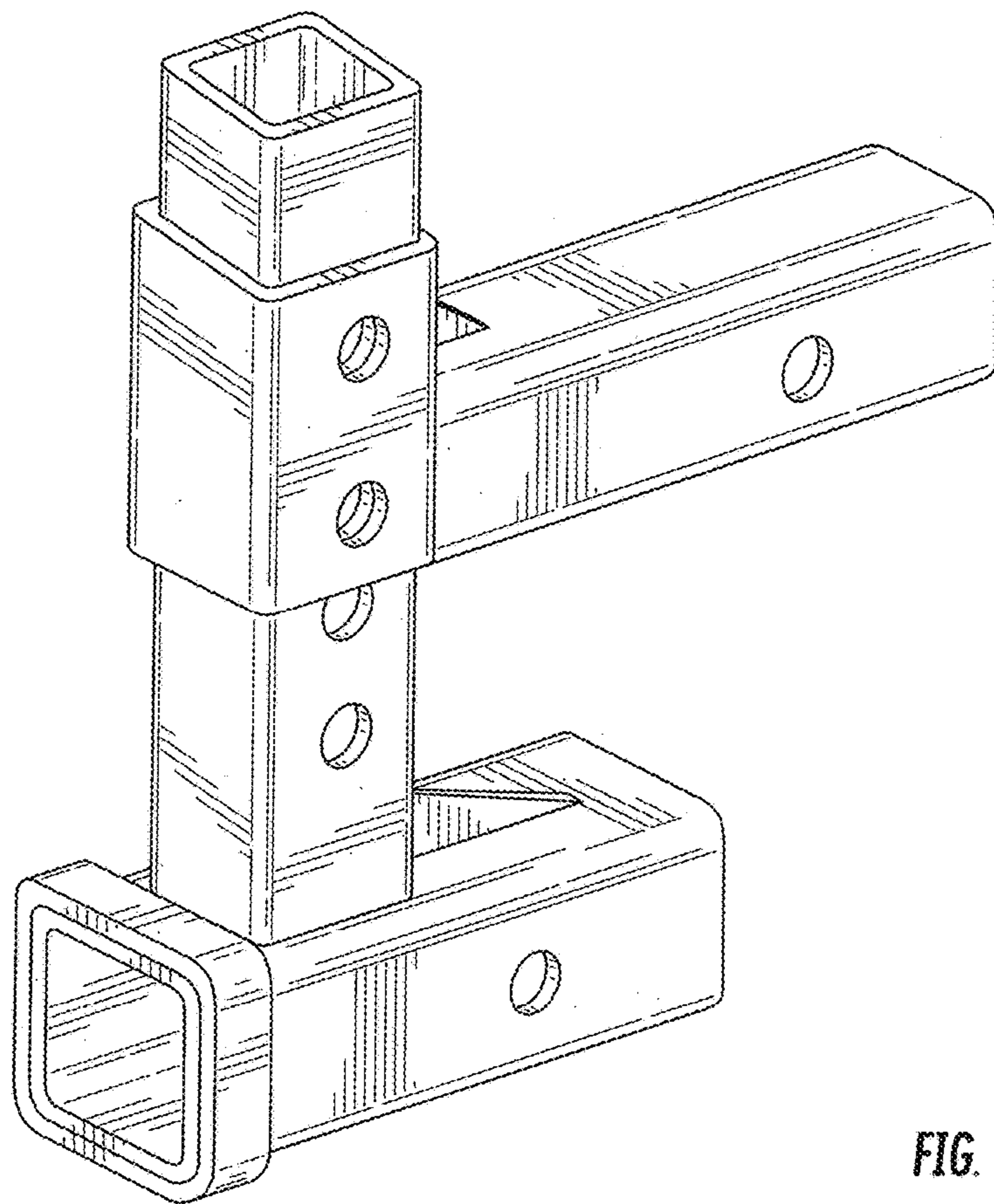
4,033,601 A * 7/1977 Lindahl B60D 1/46
280/490.1
5,354,087 A * 10/1994 Head B60D 1/46
280/490.1
D376,780 S * 12/1996 McCoy D12/162
5,975,553 A * 11/1999 Van Vleet B60D 1/46
280/483
D508,221 S * 8/2005 Rebick D12/162
D555,549 S * 11/2007 Capuano D12/162
7,559,570 B2 * 7/2009 Cearns B60D 1/46
280/490.1
D629,338 S * 12/2010 Ceccarelli D12/162

DESCRIPTION

FIG. 1 is a perspective front, right side and top view of the adjustable trailer hitch.
FIG. 2 is a front elevational view thereof.
FIG. 3 is a rear elevational view thereof.
FIG. 4 is a top plan view thereof.
FIG. 5 is a left side elevational view thereof; and,
FIG. 6 is a bottom plan view thereof.
The broken lines illustrate portions of the adjustable trailer hitch that form no part of the claimed design.

1 Claim, 3 Drawing Sheets





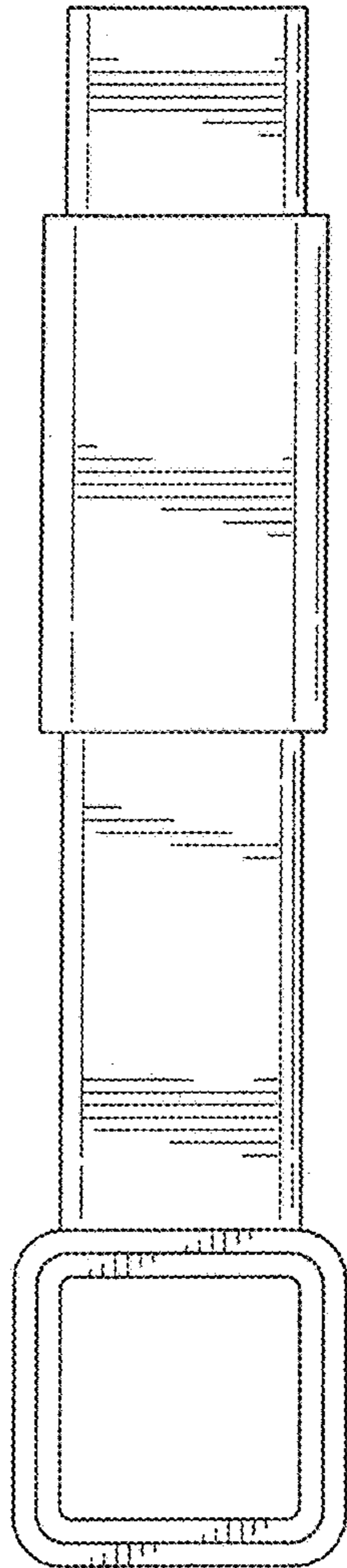


FIG. 2

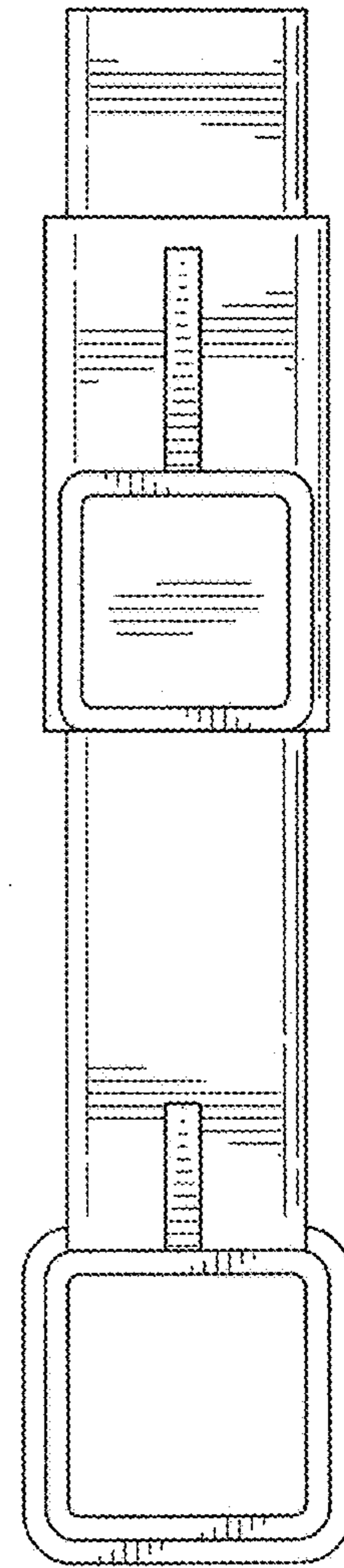


FIG. 3

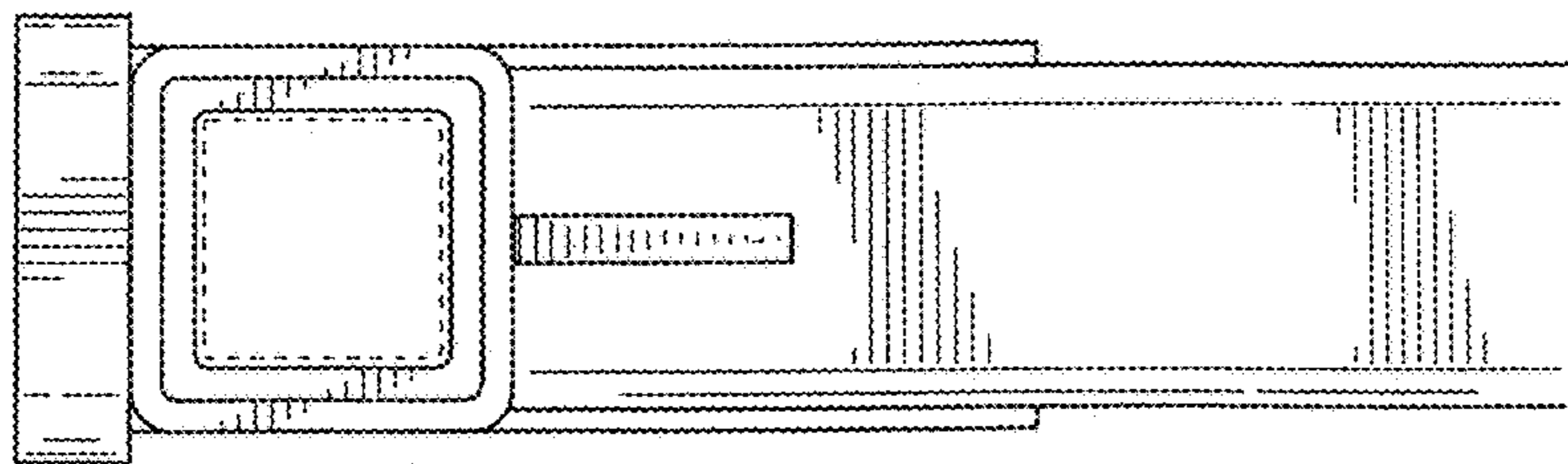


FIG. 4

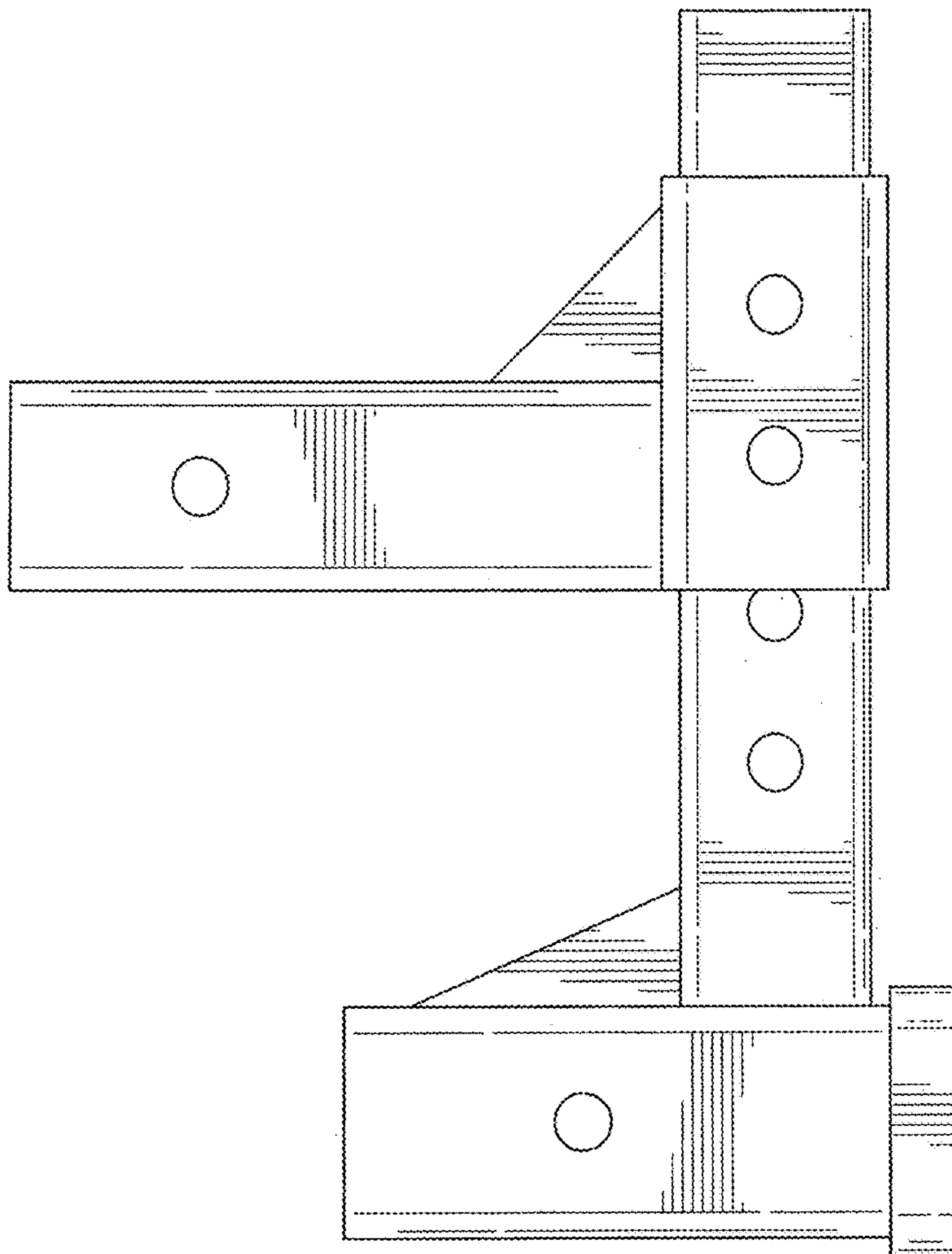


FIG. 5

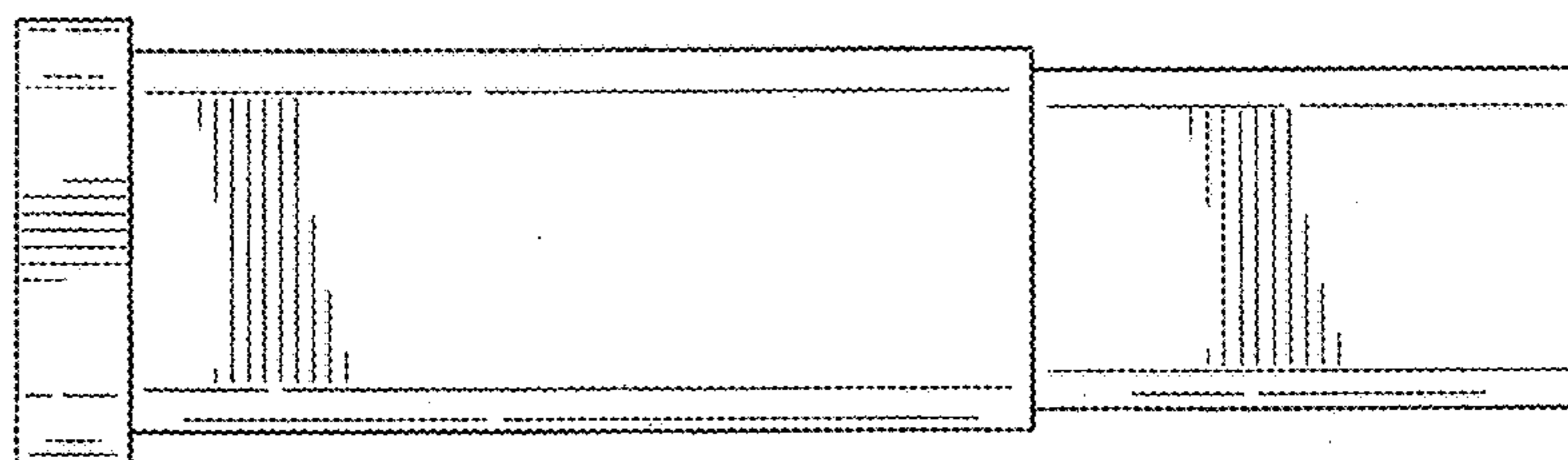


FIG. 6