

US00D847694S

(12) **United States Design Patent**
Smock et al.

(10) **Patent No.:** **US D847,694 S**

(45) **Date of Patent:** **** May 7, 2019**

(54) **VEHICLE BODY AND/OR REPLICA**

(71) Applicant: **HONDA MOTOR CO., LTD.**,
Minato-ku, Tokyo (JP)

(72) Inventors: **Randall Smock**, Redondo Beach, CA
(US); **Iliya Bridan**, Long Beach, CA
(US)

(73) Assignee: **Honda Motor Co., Ltd.**, Tokyo (JP)

(**) Term: **15 Years**

(21) Appl. No.: **29/622,664**

(22) Filed: **Oct. 18, 2017**

(51) **LOC (11) Cl.** **12-08**

(52) **U.S. Cl.**

USPC **D12/91**

(58) **Field of Classification Search**

USPC D12/86, 90-92; D21/424, 433, 434;
296/181.1-181.5, 183.1

CPC B62D 25/00; B62D 25/06; B62D 33/00;
B62D 35/00

See application file for complete search history.

(56) **References Cited**

U.S. PATENT DOCUMENTS

D686,949 S * 7/2013 Minami D12/91
D705,700 S * 5/2014 Chen D12/91
D719,875 S * 12/2014 Jang D12/91
D759,540 S * 6/2016 Davidson D12/91

D761,693 S * 7/2016 Lian D12/91
D766,778 S * 9/2016 Lian D12/91
D803,725 S * 11/2017 Suzuki D12/91
D804,996 S * 12/2017 Sahara D12/91
D807,227 S * 1/2018 Chen D12/91
D810,625 S * 2/2018 Sungjun D12/91
D820,160 S * 6/2018 Smock D12/91
D823,165 S * 7/2018 Chung D12/91

* cited by examiner

Primary Examiner — Melody N Brown

(74) *Attorney, Agent, or Firm* — Arent Fox LLP

(57) **CLAIM**

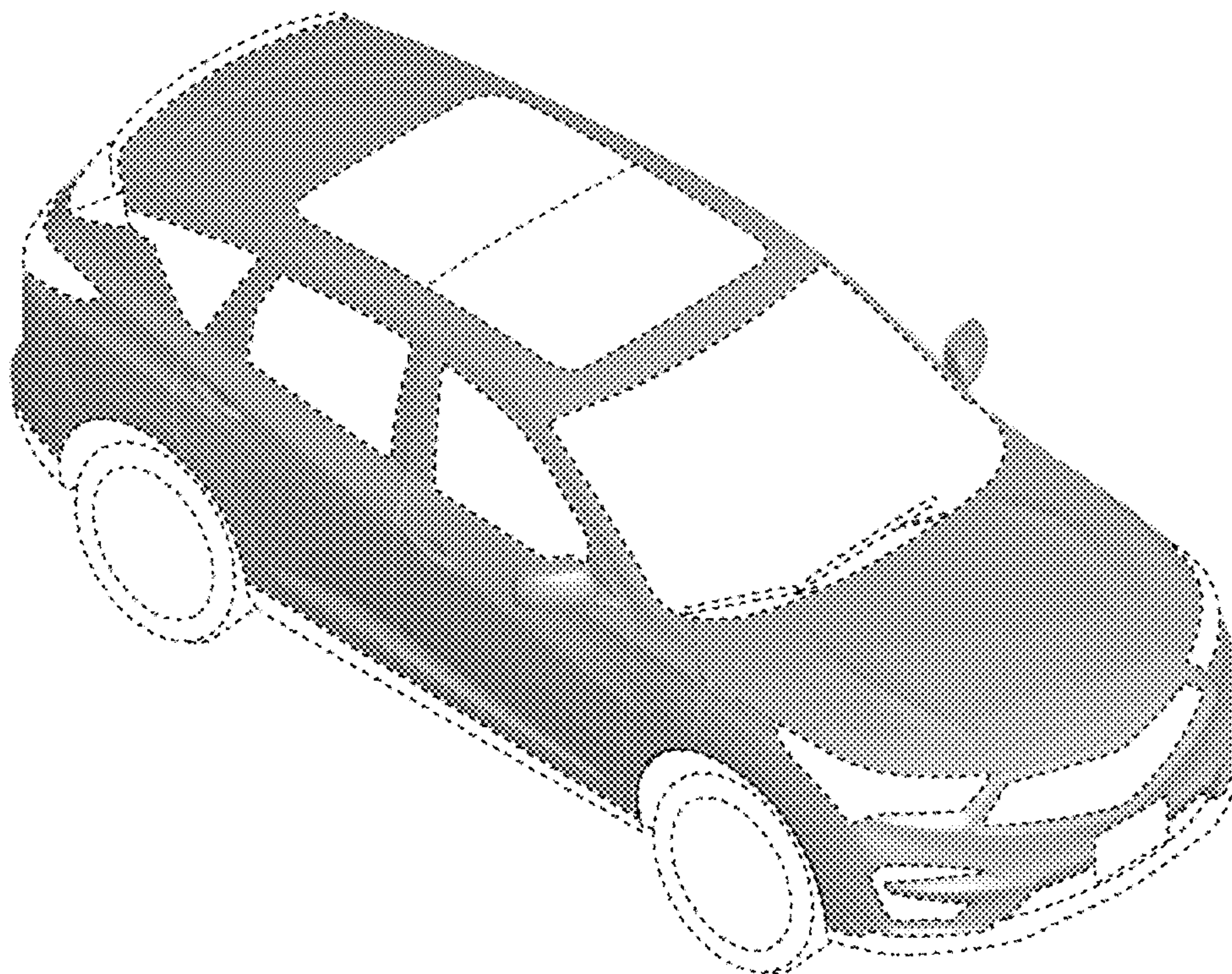
The ornamental design for a vehicle body and/or replica, as shown and described.

DESCRIPTION

FIG. 1 is a left, front perspective view of a vehicle body and/or replica showing our new design; FIG. 2 is a left, rear perspective view thereof; FIG. 3 is a right, rear perspective view thereof; FIG. 4 is a front elevational view thereof; FIG. 5 is a rear elevational view thereof; FIG. 6 is a right side elevational view thereof; FIG. 7 is a left side elevational view thereof; FIG. 8 is a top plan view thereof; and, FIG. 9 is a bottom plan view thereof.

The broken lines shown in the figures are included for the purpose of illustrating portions of the vehicle body and/or replica and form no part of the claimed design.

1 Claim, 9 Drawing Sheets



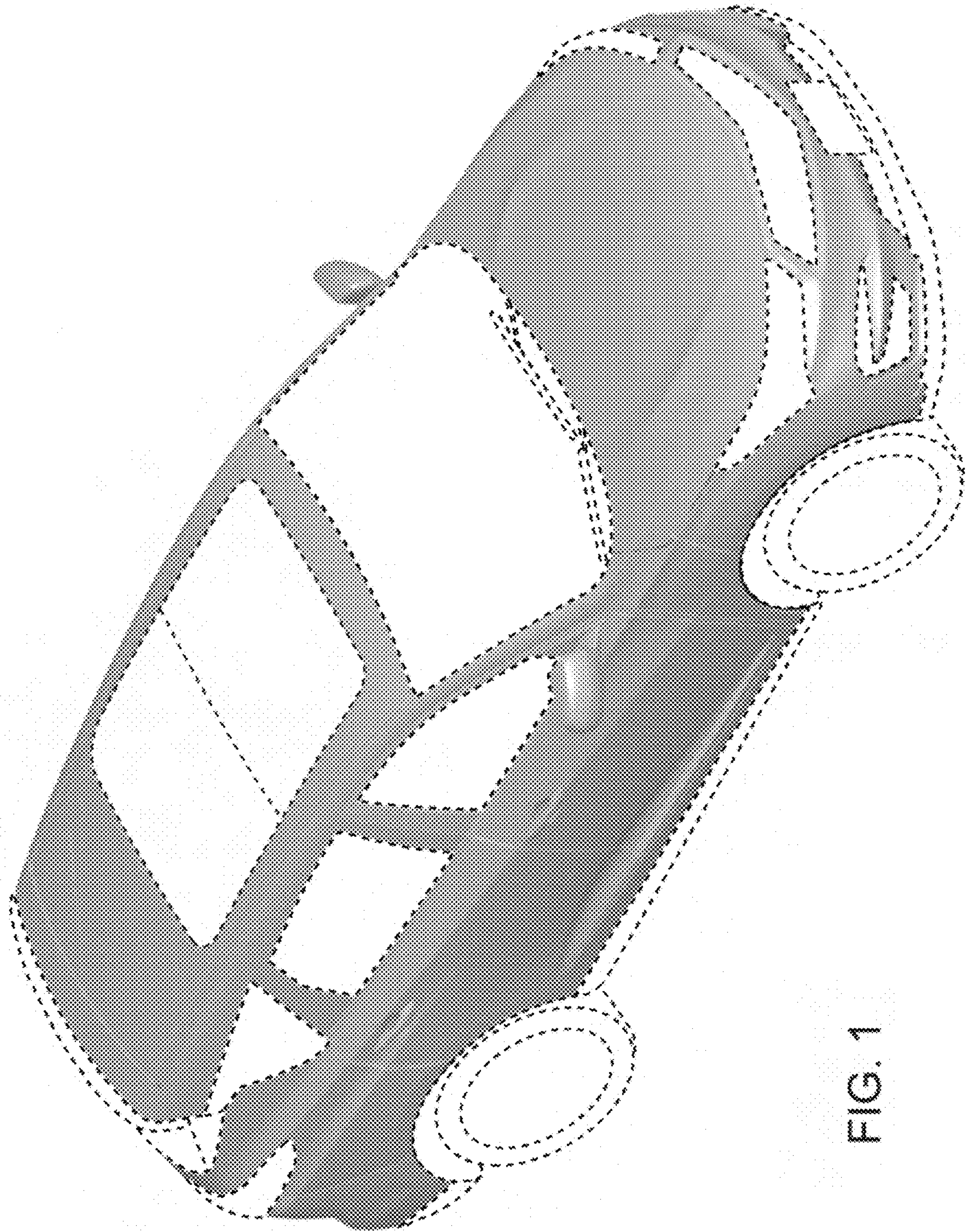


FIG. 1

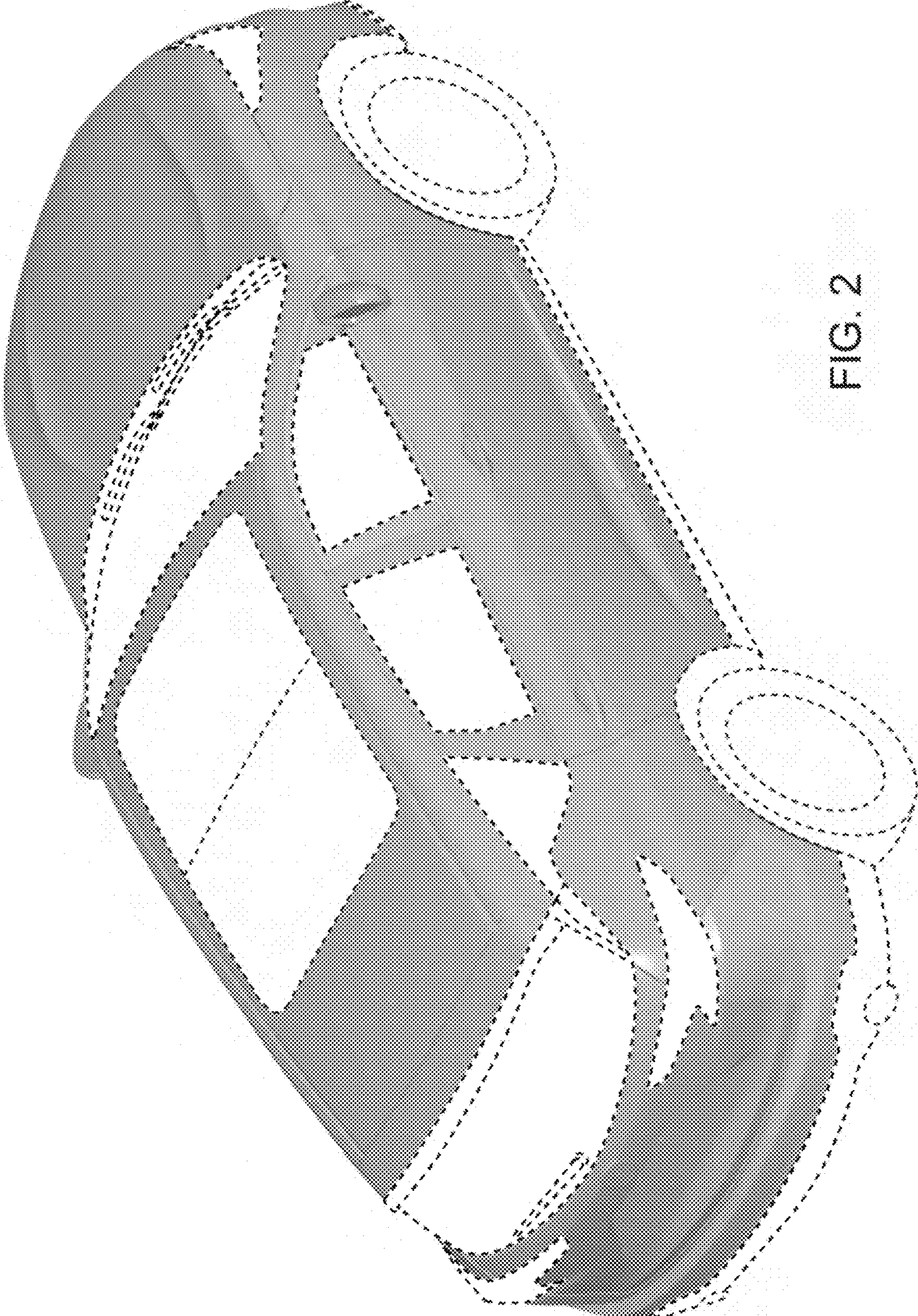


FIG. 2

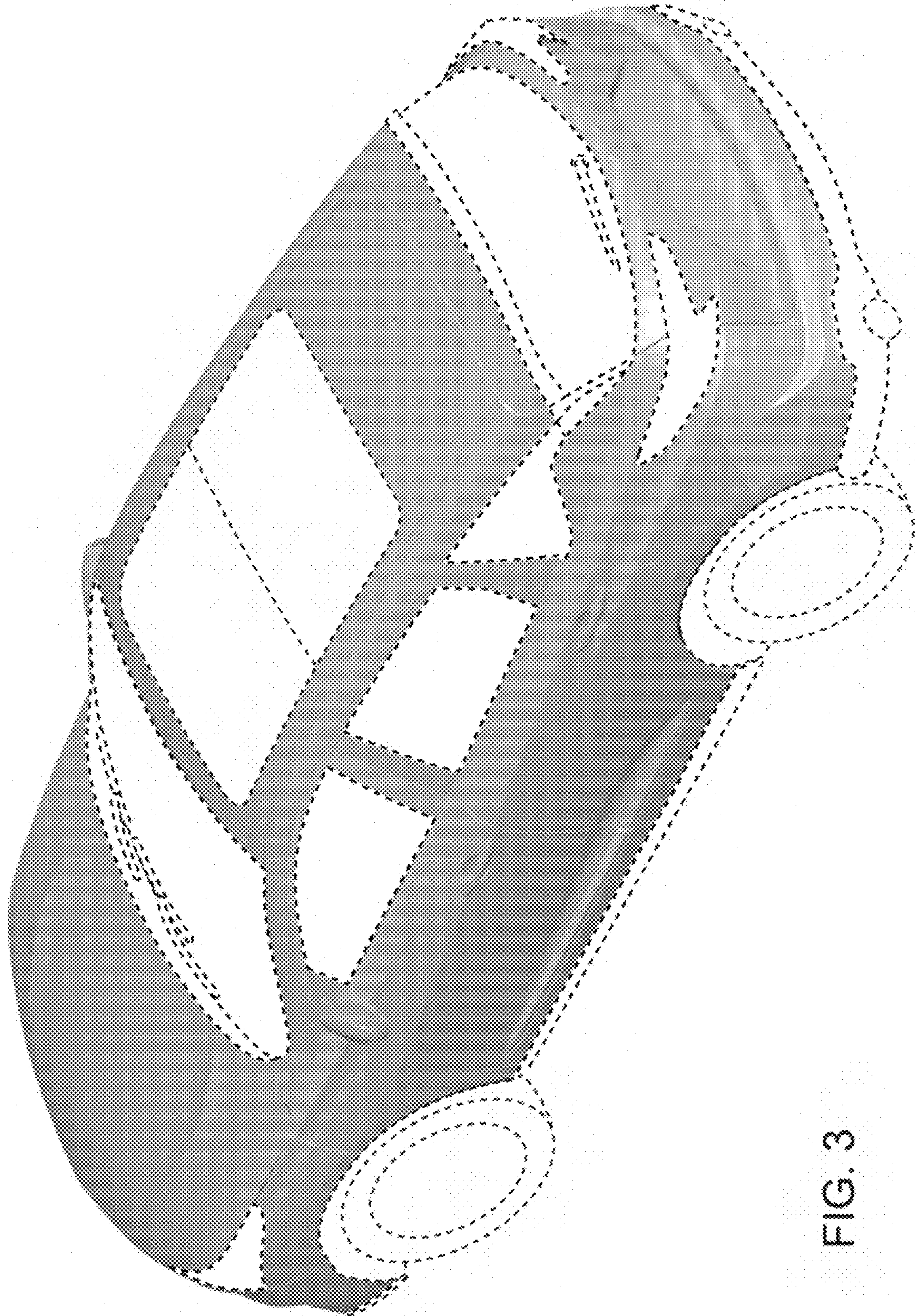


FIG. 3

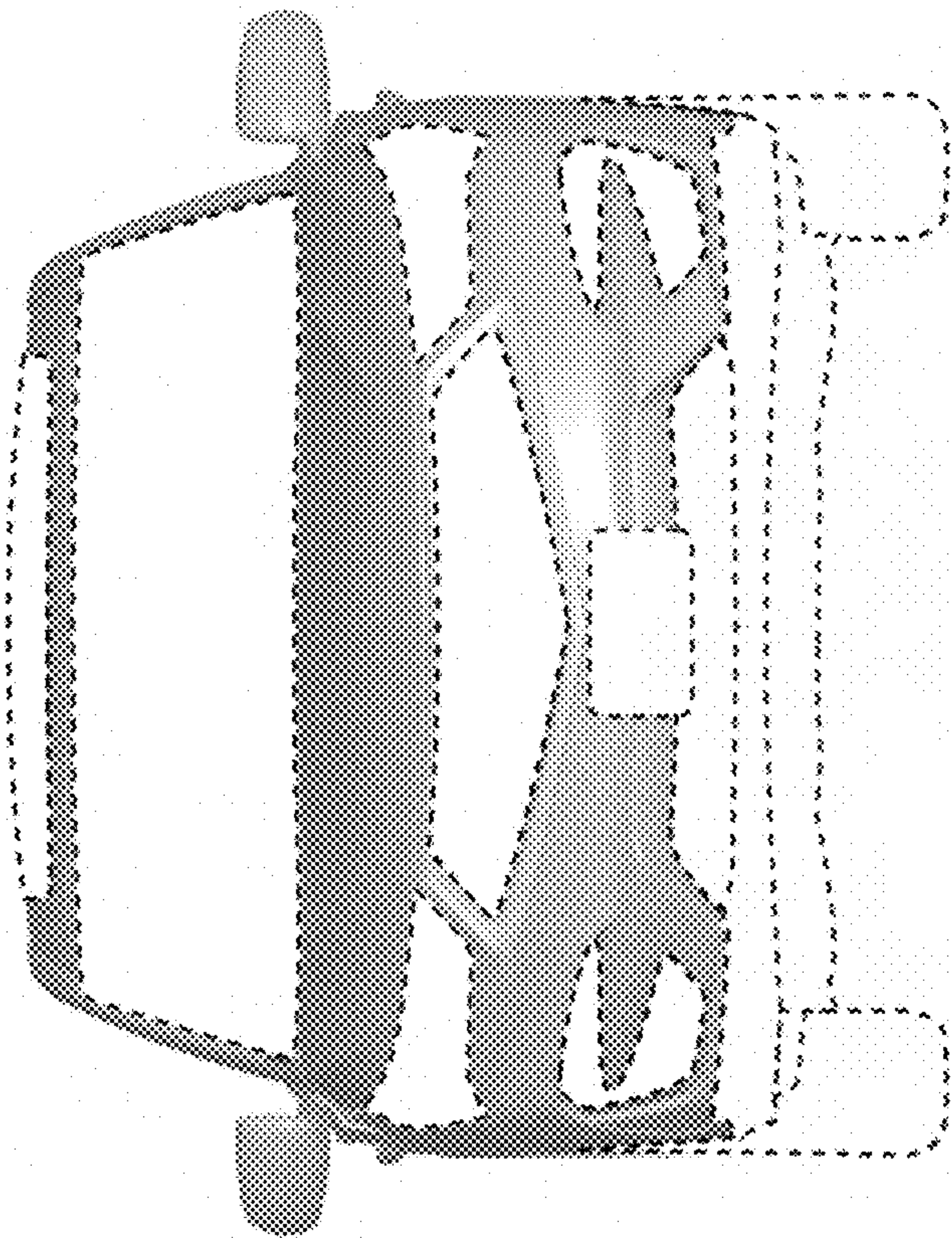


FIG. 4

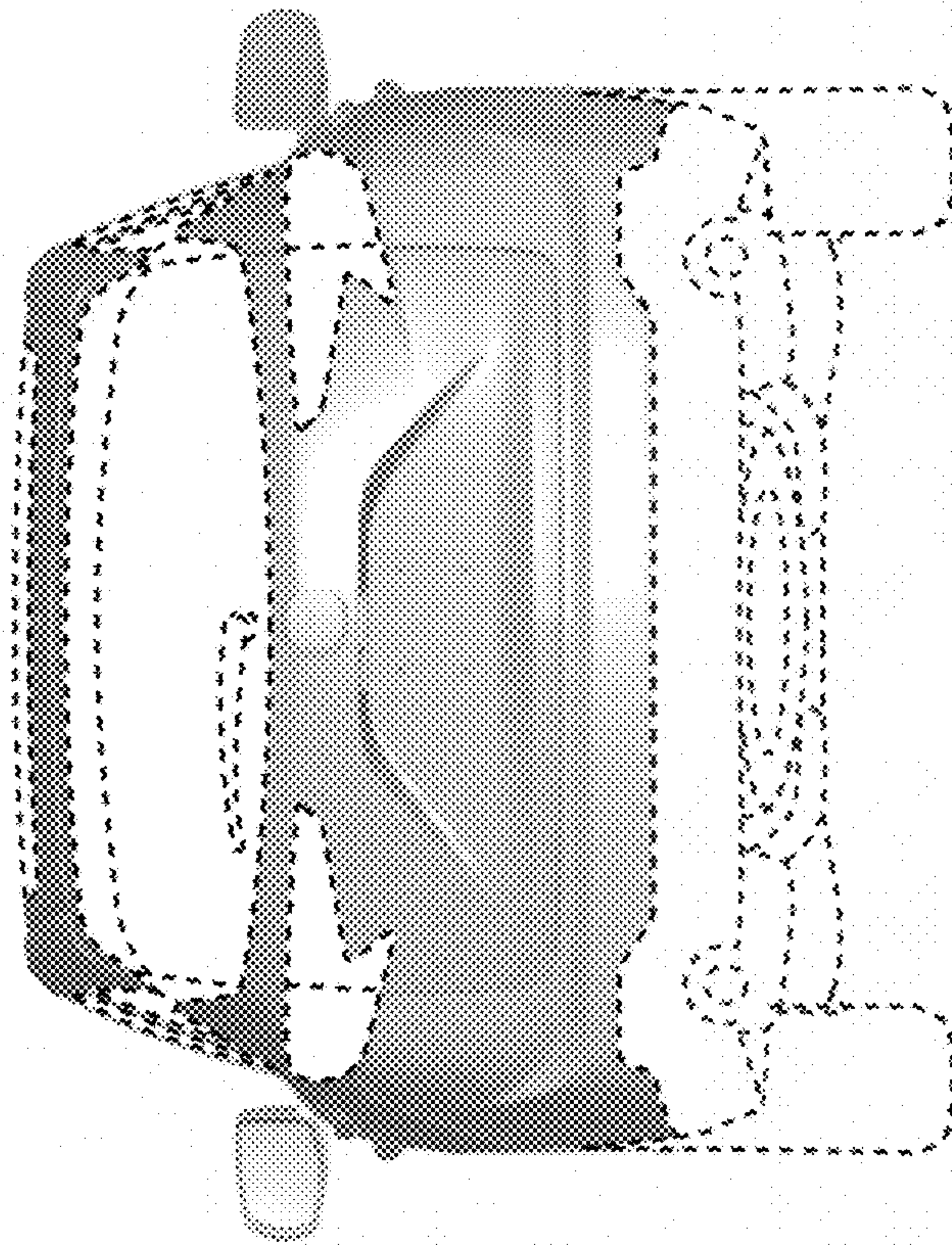


FIG. 5

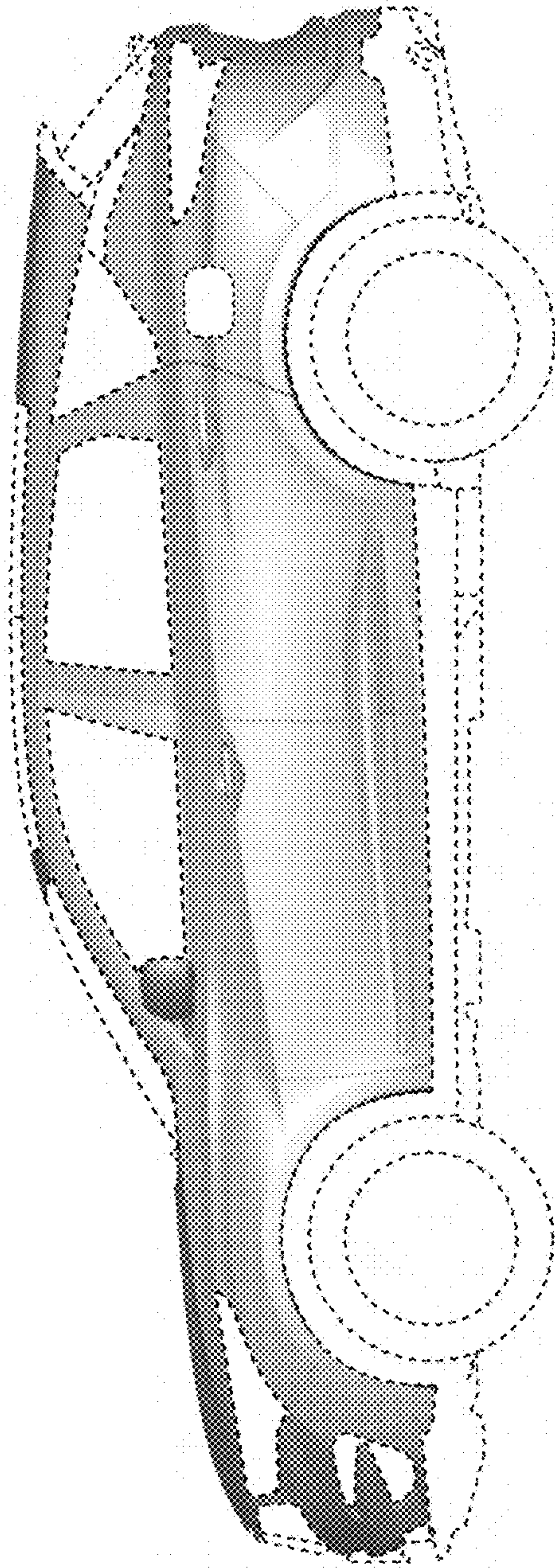


FIG. 6

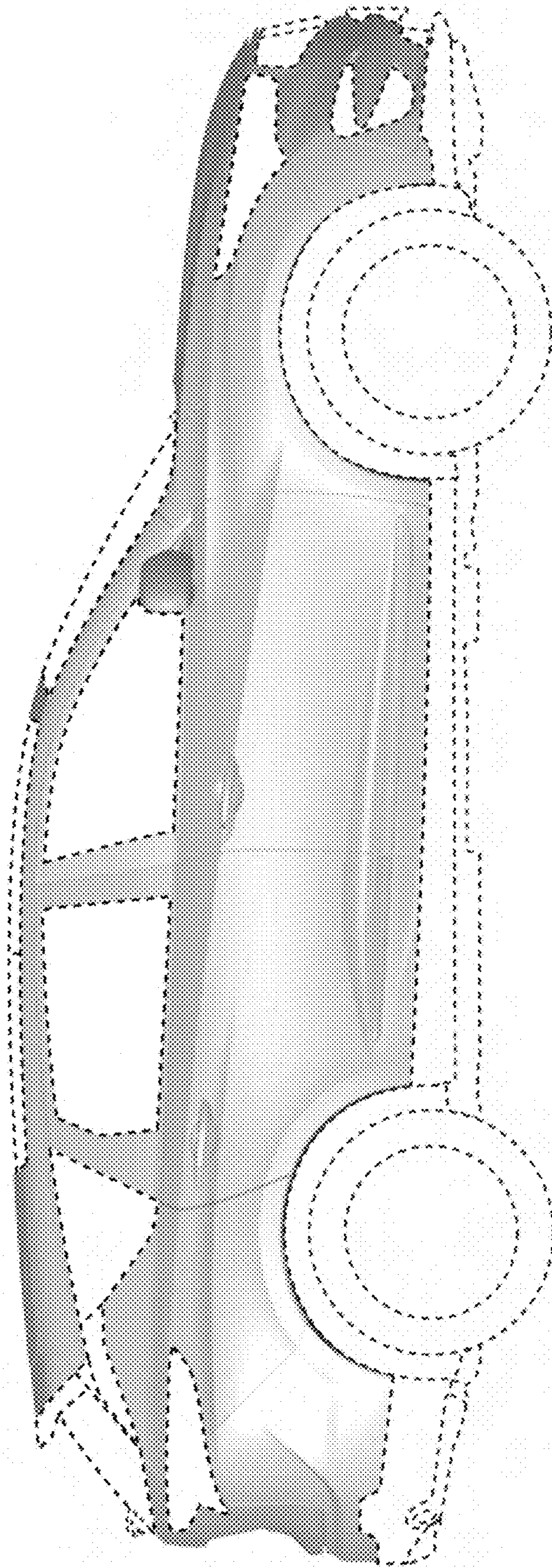


FIG. 7

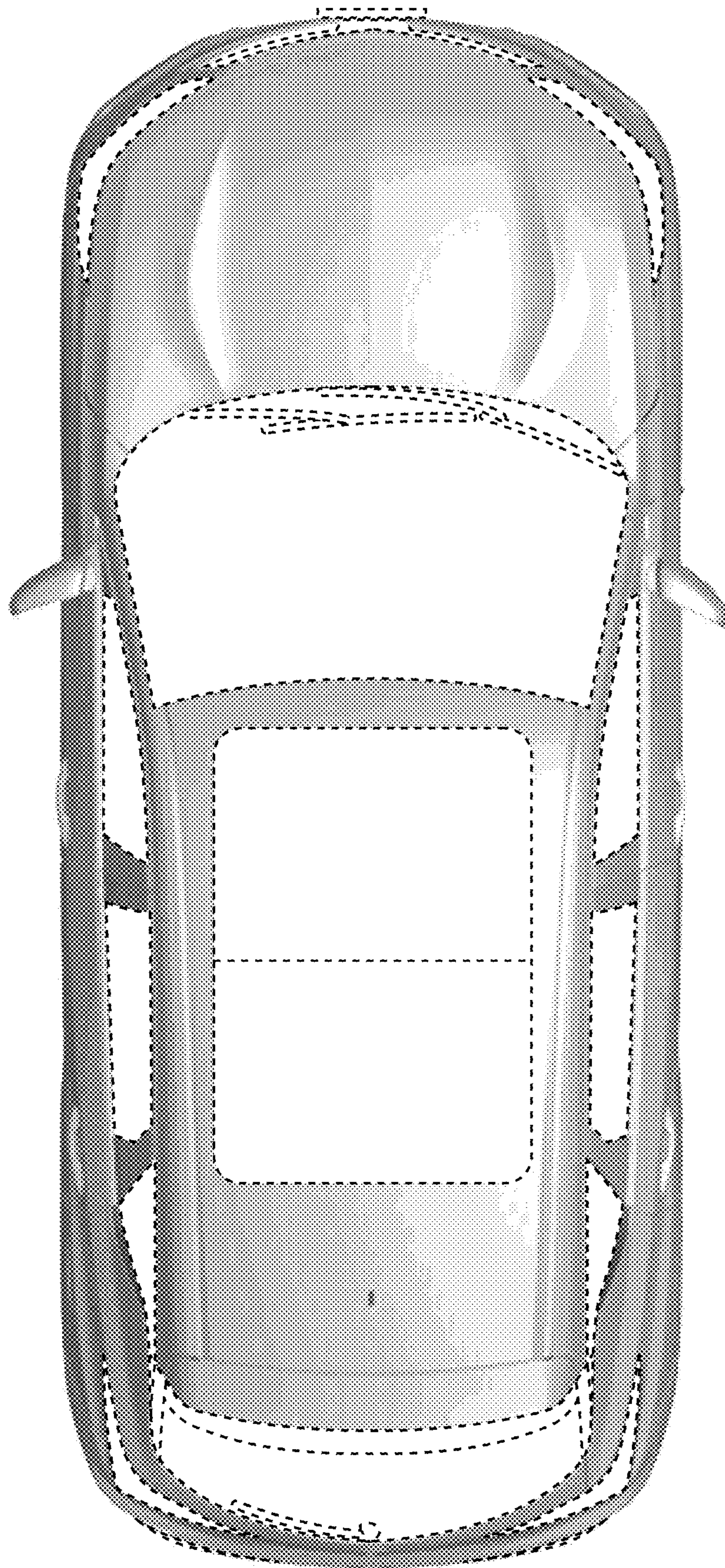


FIG. 8

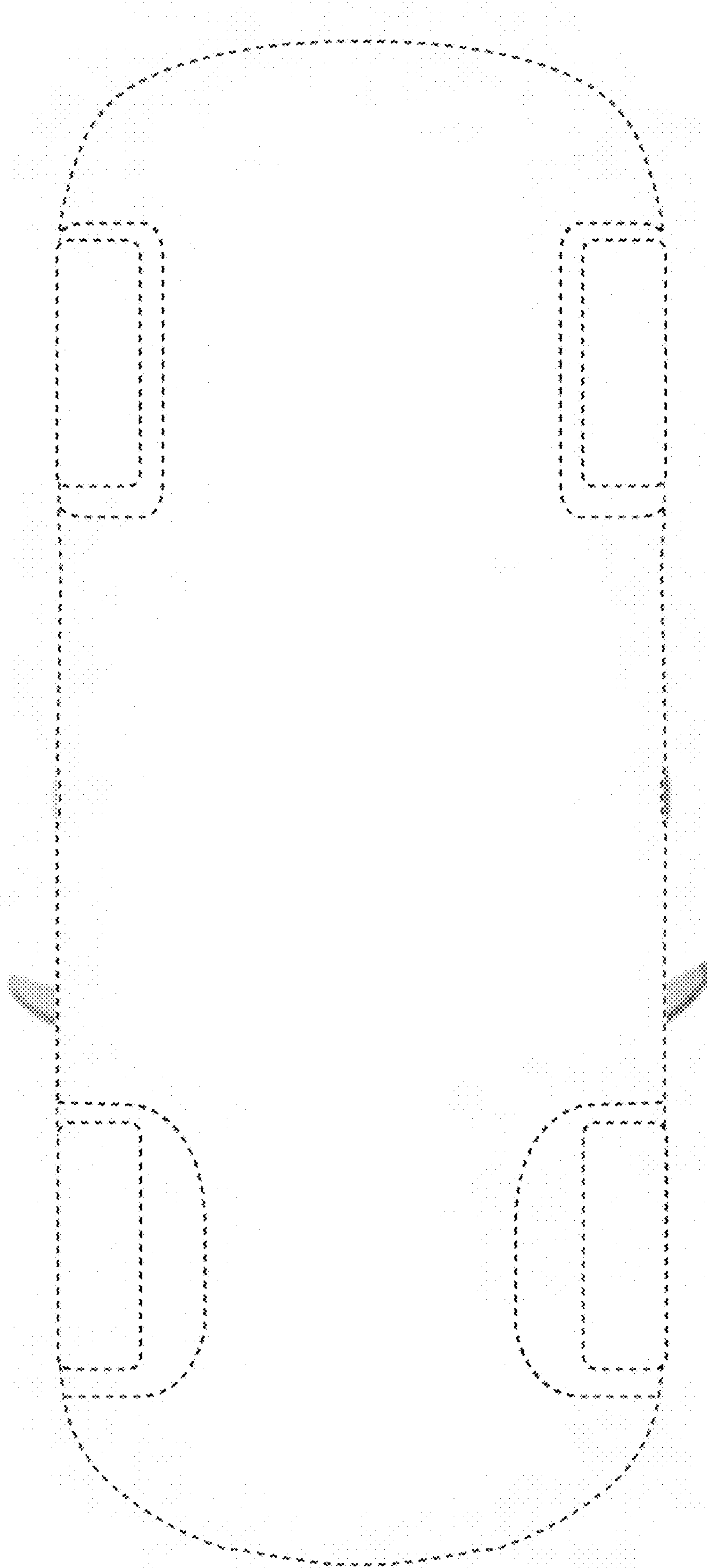


FIG. 9