

US00D847693S

(12) **United States Design Patent** (10) **Patent No.:** **US D847,693 S**  
**Kim** (45) **Date of Patent:** **\*\* May 7, 2019**

(54) **FASTENER**

(71) Applicant: **Sug Whan Kim**, Gimpo-si (KR)

(72) Inventor: **Sug Whan Kim**, Gimpo-si (KR)

(73) Assignee: **Sug Whan Kim**, Gimpo-si (KR)

(\*\*) Term: **15 Years**

(21) Appl. No.: **29/596,336**

(22) Filed: **Mar. 7, 2017**

(30) **Foreign Application Priority Data**

Feb. 22, 2017 (KR) ..... 30-2017-0008454

Feb. 22, 2017 (KR) ..... 30-2017-0008455

Feb. 22, 2017 (KR) ..... 30-2017-0008456

(51) **LOC (11) Cl.** ..... **02-07**

(52) **U.S. Cl.**  
USPC ..... **D11/216**

(58) **Field of Classification Search**

USPC ..... D11/1-2, 200-201, 206-210, 214-218,  
D11/220, 87; 24/163 R, 169-171, 173,  
24/177-179, 191, 194-195, 197, 200,  
24/614-616, 625, 198, 578.1, 163 K, 114;  
D8/382, 387, 349, 354, 399, 17, 21, 25,  
D8/29; 296/191; 248/203.5, 309.4;  
411/353, 352, 107, 55; 63/1.17; 402/63;  
281/27.3; D15/5, 148, 149; D9/690,  
D9/688, 686, 569, 529, 503, 454, 453,  
D9/452, 447, 436, 435, 429; 215/331,  
215/330, 329, 317, 316, 272; D12/197;  
D7/629

CPC ..... A44B 11/26; A44B 11/25; A44B 11/06;  
A44B 5/00; A44B 1/28; A44B 1/34;  
A44B 1/30; A44B 1/24; A44B 1/44;  
A44B 1/22; A44B 1/08; A44B 1/32;  
A44B 1/14; A44B 1/04; B42F 13/00;  
F16B 12/26; F16B 19/1081

See application file for complete search history.

(56) **References Cited**

U.S. PATENT DOCUMENTS

1,793,024 A \* 2/1931 Scofield ..... B65D 51/18  
215/317  
D266,906 S \* 11/1982 Guerette ..... D9/453  
4,555,114 A \* 11/1985 Dozier ..... A63F 7/40  
273/126 R  
D296,900 S \* 7/1988 Randolph ..... D15/148  
(Continued)

OTHER PUBLICATIONS

Triangular Knob, DirectIndustry.com, [online], [site visited May 11, 2018]. <URL: <http://www.directindustry.com/prod/vital-parts-ltd/product-190485-1874315.html>> (Year: 2018).\*

(Continued)

*Primary Examiner* — T Chase Nelson

*Assistant Examiner* — Jonathan J. Han

(74) *Attorney, Agent, or Firm* — Pearl Cohen Zedek  
Latzer Baratz LLP

(57) **CLAIM**

The ornamental design for a fastener, as shown and described.

**DESCRIPTION**

FIG. 1 is a top, front, right side perspective view of a fastener;

FIG. 2 is a top plan view thereof;

FIG. 3 is a bottom plan view thereof;

FIG. 4 is a left side elevation view thereof;

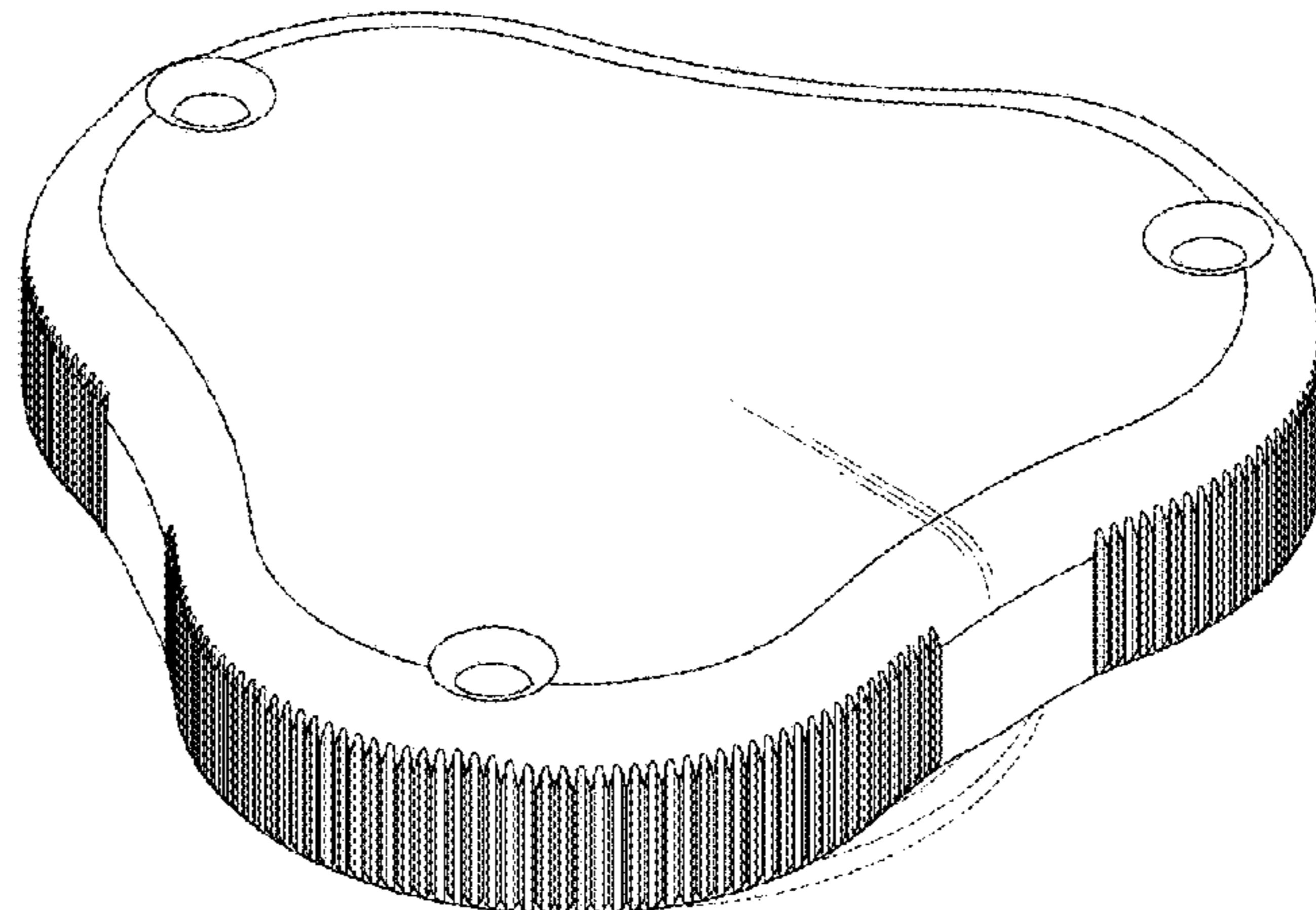
FIG. 5 is a rear elevation view thereof;

FIG. 6 is a right side elevation view thereof; and,

FIG. 7 is a front elevation view thereof.

The broken lines shown in the drawings represent portions of the fastener which form no part of the claimed design.

**1 Claim, 7 Drawing Sheets**



(56)

References Cited

U.S. PATENT DOCUMENTS

D314,161 S \* 1/1991 Kondo ..... D10/109.1  
 D324,866 S \* 3/1992 Pleet ..... D15/149  
 D353,165 S \* 12/1994 LeMarr ..... D21/398  
 D353,642 S \* 12/1994 Callaghan ..... D21/386  
 D373,368 S \* 9/1996 Matsui ..... D15/148  
 D376,332 S \* 12/1996 Fercano ..... D10/114.1  
 D391,881 S \* 3/1998 Youseph ..... D10/113.4  
 D515,429 S \* 2/2006 Pace ..... D9/529  
 D520,395 S \* 5/2006 Lazalier ..... D10/113.4  
 D530,205 S \* 10/2006 Lohrman ..... D9/453  
 D530,807 S \* 10/2006 Miyagishima ..... D23/365  
 D582,275 S \* 12/2008 Reed ..... D9/453  
 D603,550 S \* 11/2009 Levine ..... D26/61  
 D628,218 S \* 11/2010 Tommassini ..... D15/138  
 D640,227 S \* 6/2011 Wada ..... D14/149  
 D642,057 S \* 7/2011 Reed ..... D9/453  
 D653,579 S \* 2/2012 Niven ..... D10/114.2  
 D656,392 S \* 3/2012 McKenna ..... D8/382  
 D667,986 S \* 9/2012 Decq ..... D26/89  
 D669,759 S \* 10/2012 Castilleja ..... D8/354  
 D670,153 S \* 11/2012 Wu ..... D8/356  
 D706,604 S \* 6/2014 Chen ..... D8/72  
 D720,377 S \* 12/2014 Edler ..... D15/148  
 D723,919 S \* 3/2015 Taber ..... D9/438  
 9,051,956 B2 \* 6/2015 Bentrin ..... F16B 29/00  
 D744,132 S \* 11/2015 Hollingworth ..... D26/28  
 D760,077 S \* 6/2016 Rye ..... D9/436  
 D760,085 S \* 6/2016 Su ..... D9/543  
 D790,640 S \* 6/2017 Chak ..... D21/671

D802,408 S \* 11/2017 Wang ..... D8/387  
 D817,537 S \* 5/2018 Clark ..... D26/88  
 2007/0031209 A1 \* 2/2007 Craven ..... F16B 23/0038  
 411/402  
 2011/0127795 A1 \* 6/2011 Still ..... B60J 3/0213  
 296/97.9  
 2011/0290754 A1 \* 12/2011 Taber ..... B65D 41/04  
 215/329  
 2012/0224935 A1 \* 9/2012 Chiu ..... F16B 5/0266  
 411/352  
 2012/0301244 A1 \* 11/2012 Chiu ..... F16B 19/109  
 411/166

OTHER PUBLICATIONS

VTT Knobs with solid section, Elesa-Ganter.com, [online], [site visited May 11, 2018]. <URL: <https://www.elesa-ganter.com/products/clamping-knobs/series/vtt>> (Year: 2018).\*

Table Hockey Puck Triangle, AlkarBilliards.com, [online], [site visited May 11, 2018]. <URL: <https://www.alkarbilliards.com/items/table-hockey-puck-triangle>> (Year: 2018).\*

Square to triangle gear, GrabCad.com, Andre, Dec. 30, 2014, [online], [site visited May 11, 2018]. <URL: <https://grabcad.com/library/square-to-triangle-gear-1>> (Year: 2014).\*

Trianium Fidget Spinner Pro Metal Series, Amazon.com, [online], [site visited May 11, 2018]. <URL: [https://www.amazon.com/Trianium-Spinner-Reducer-Bearing-Perfect/dp/B071CLX241/ref=sr\\_1\\_5?s=toys-and-games&ie=UTF8&qid=1526068447&sr=1-5&keywords=fidget+spinner](https://www.amazon.com/Trianium-Spinner-Reducer-Bearing-Perfect/dp/B071CLX241/ref=sr_1_5?s=toys-and-games&ie=UTF8&qid=1526068447&sr=1-5&keywords=fidget+spinner)> (Year: 2018).\*

\* cited by examiner

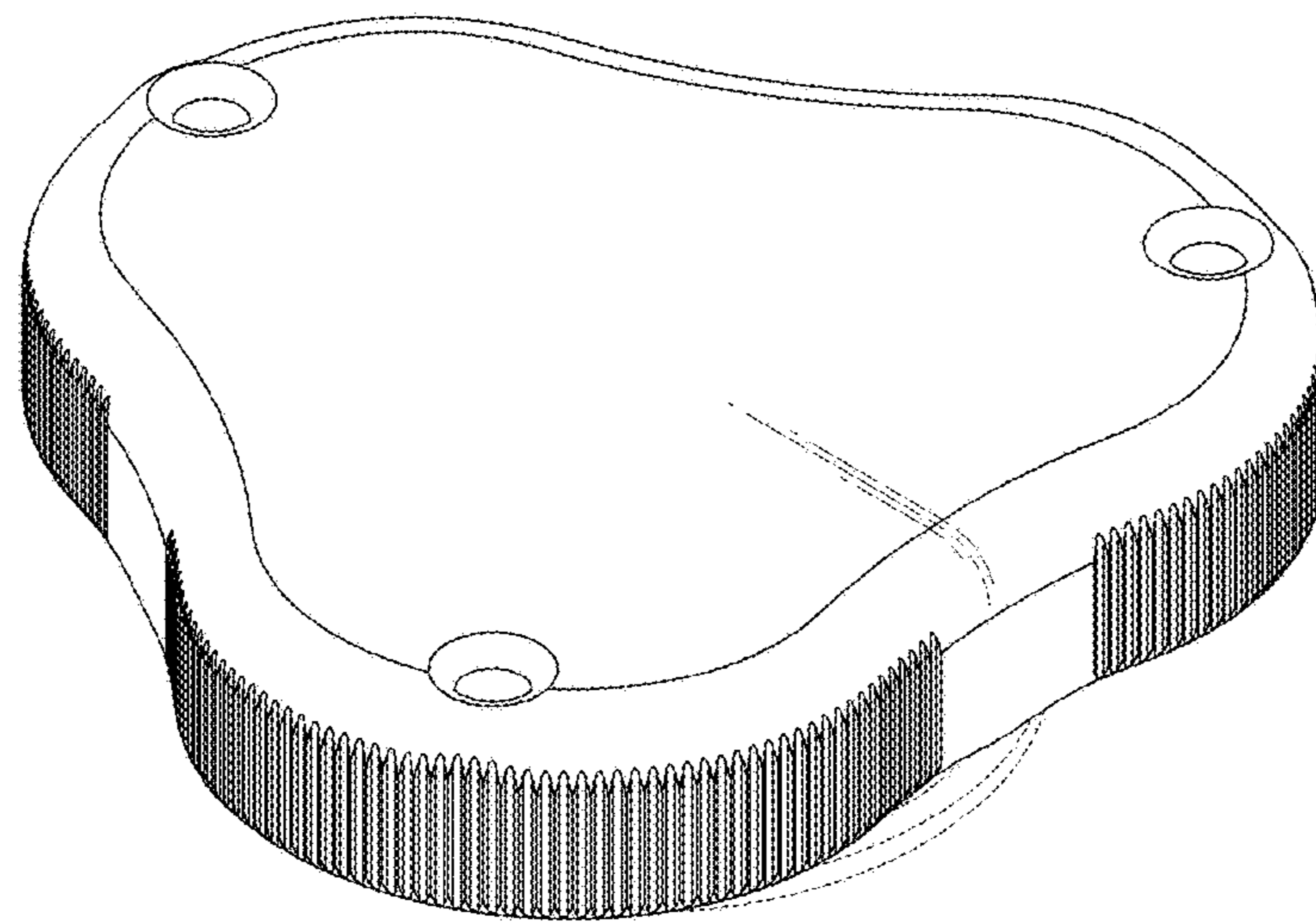


FIG. 1

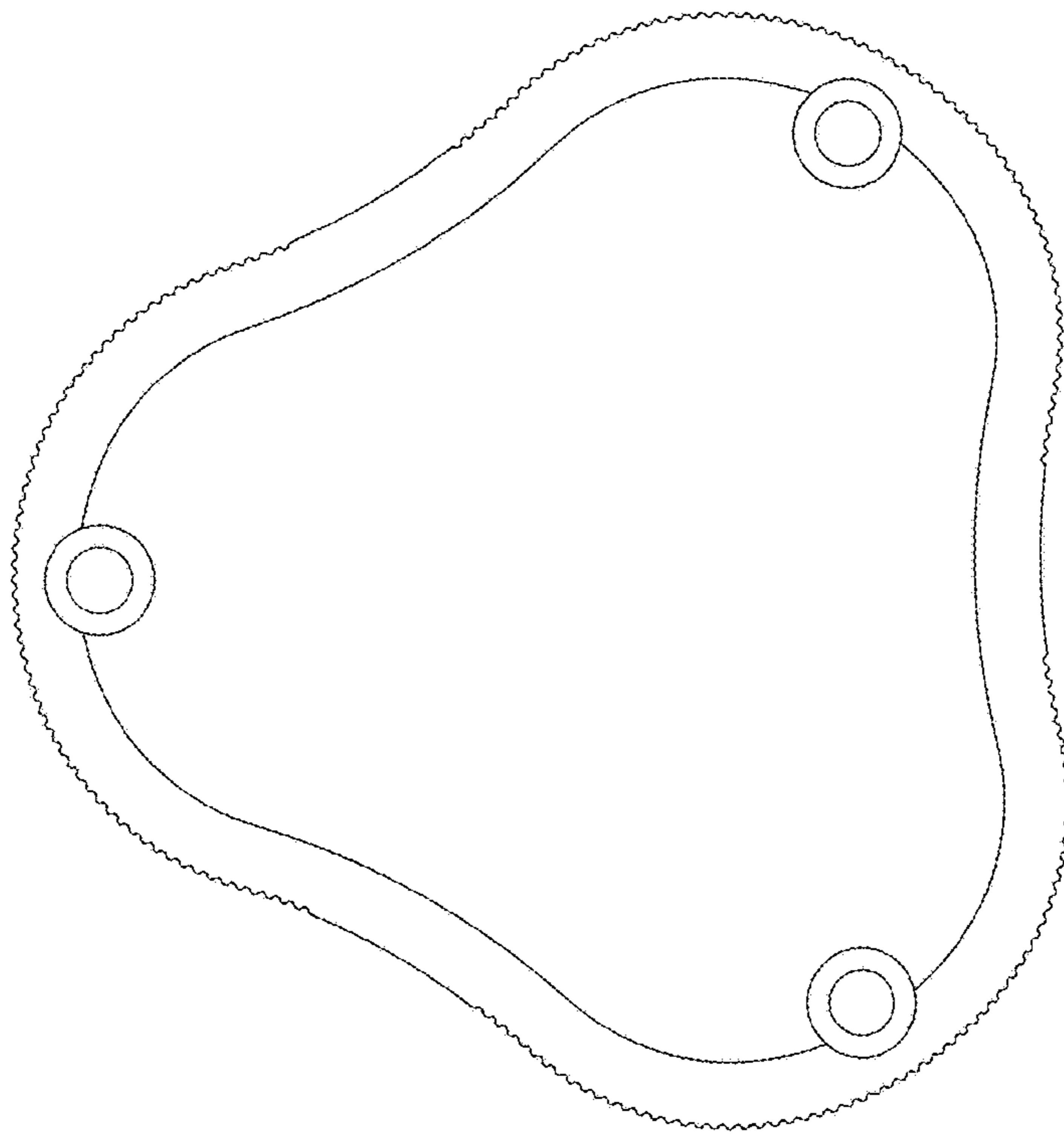


FIG. 2

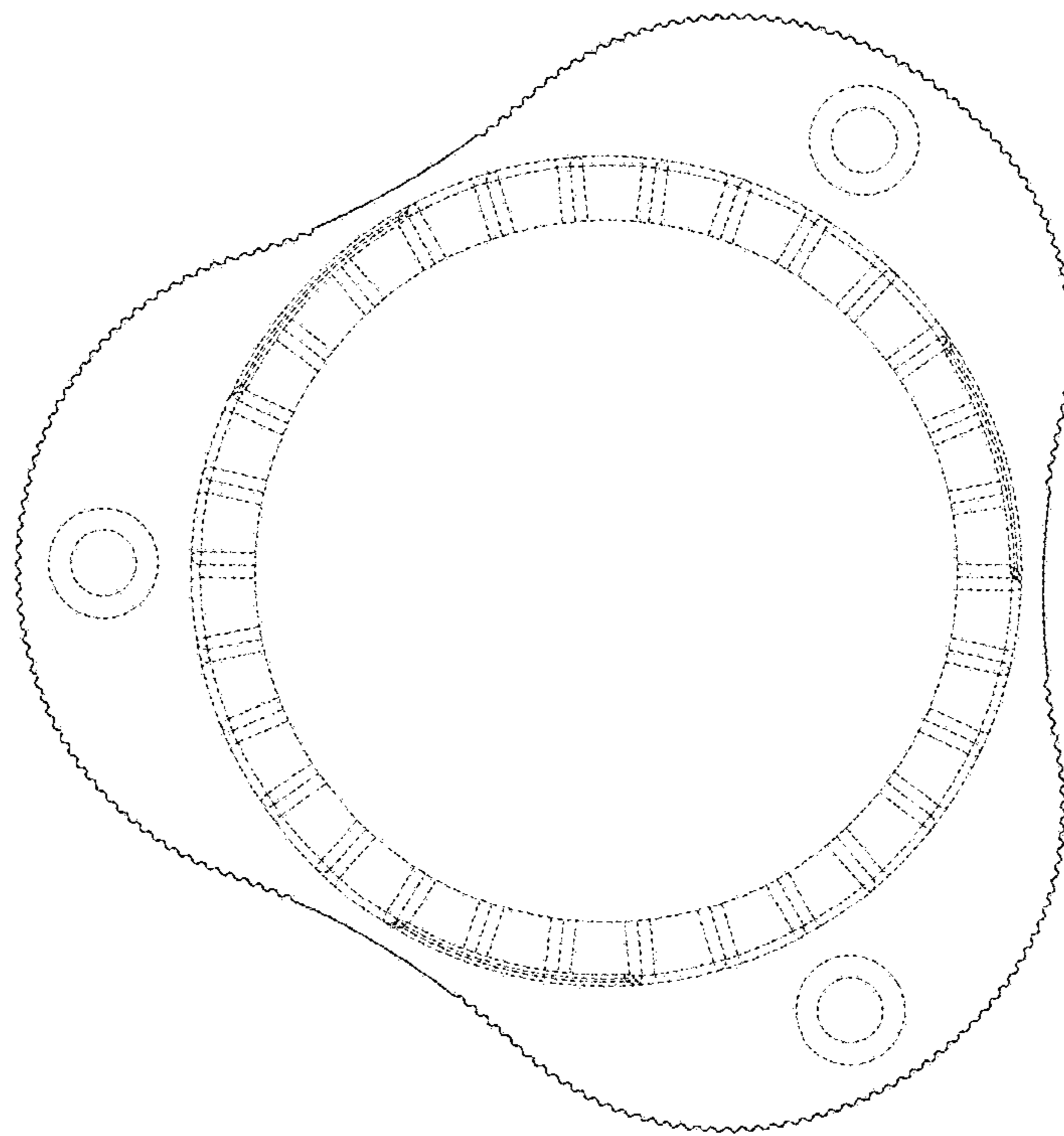


FIG. 3

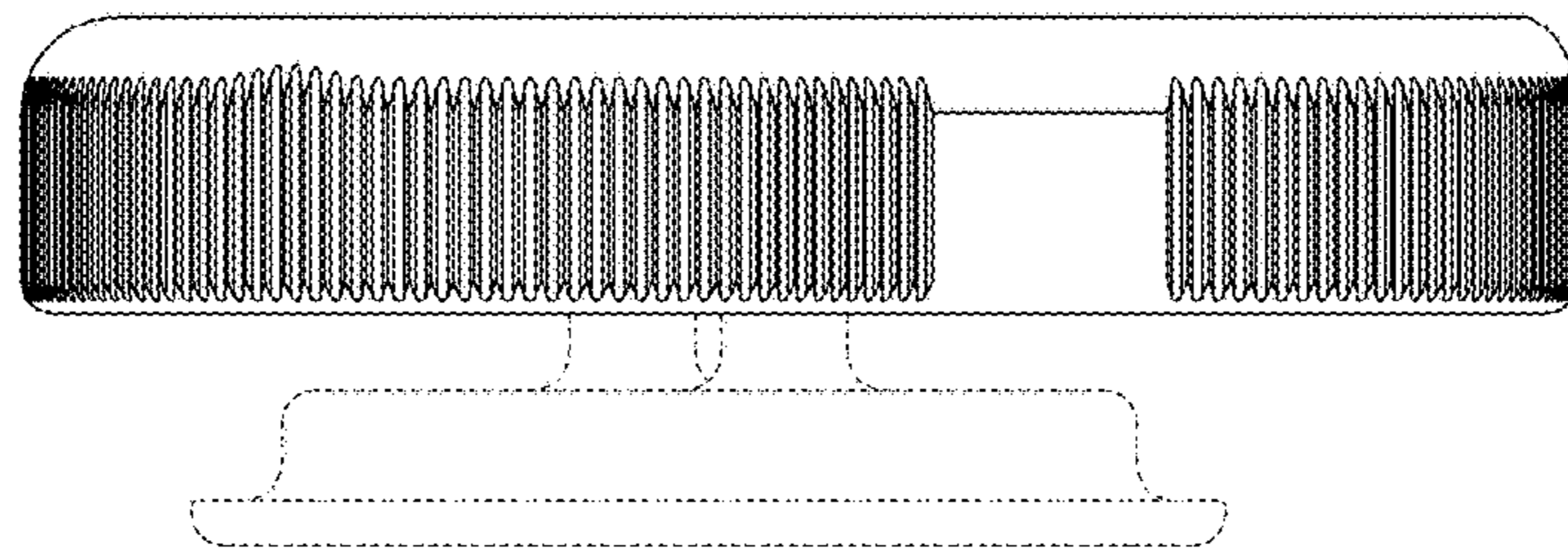


FIG. 4

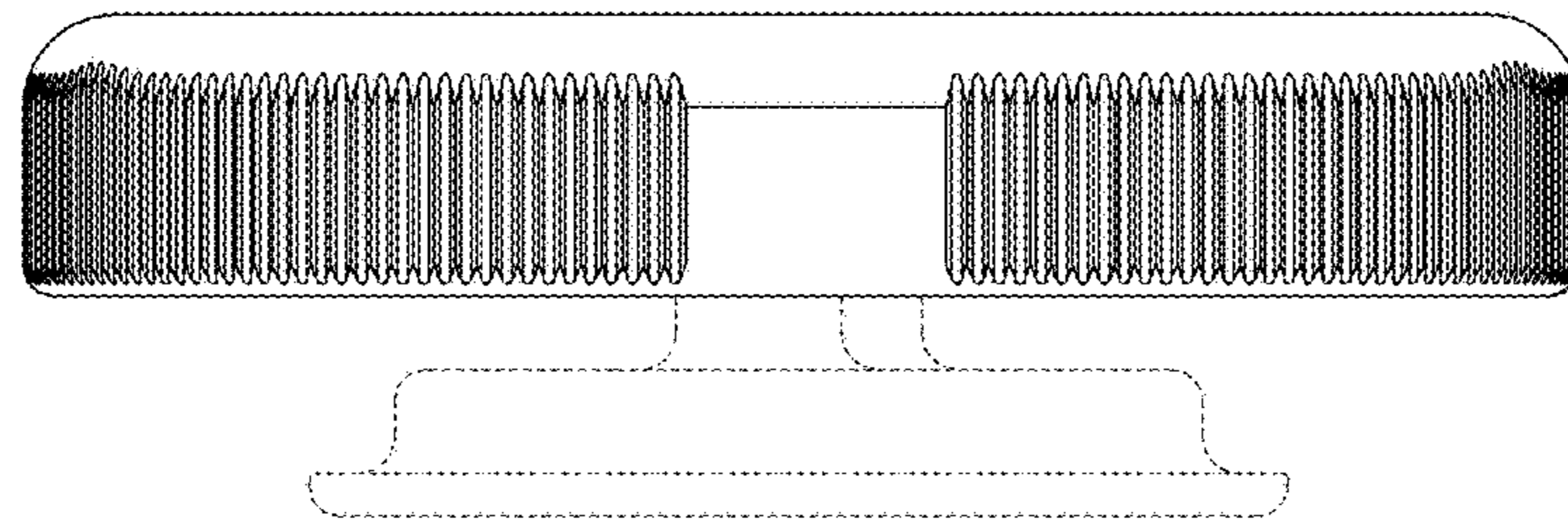


FIG. 5

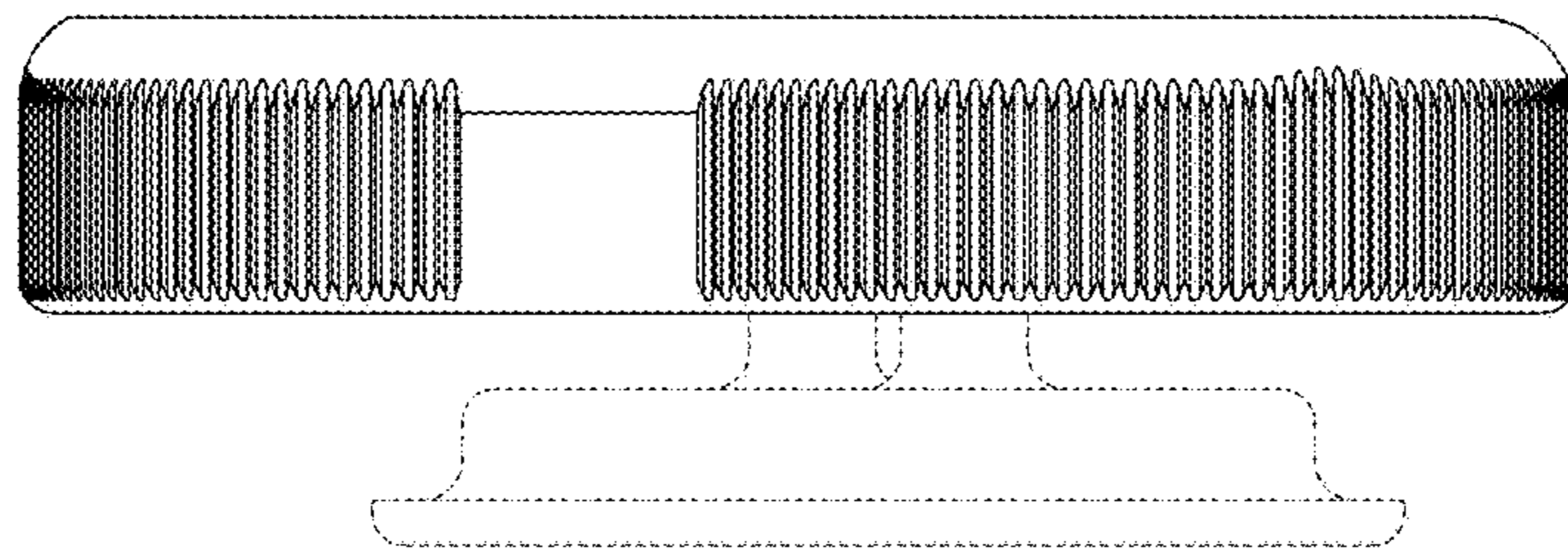


FIG. 6



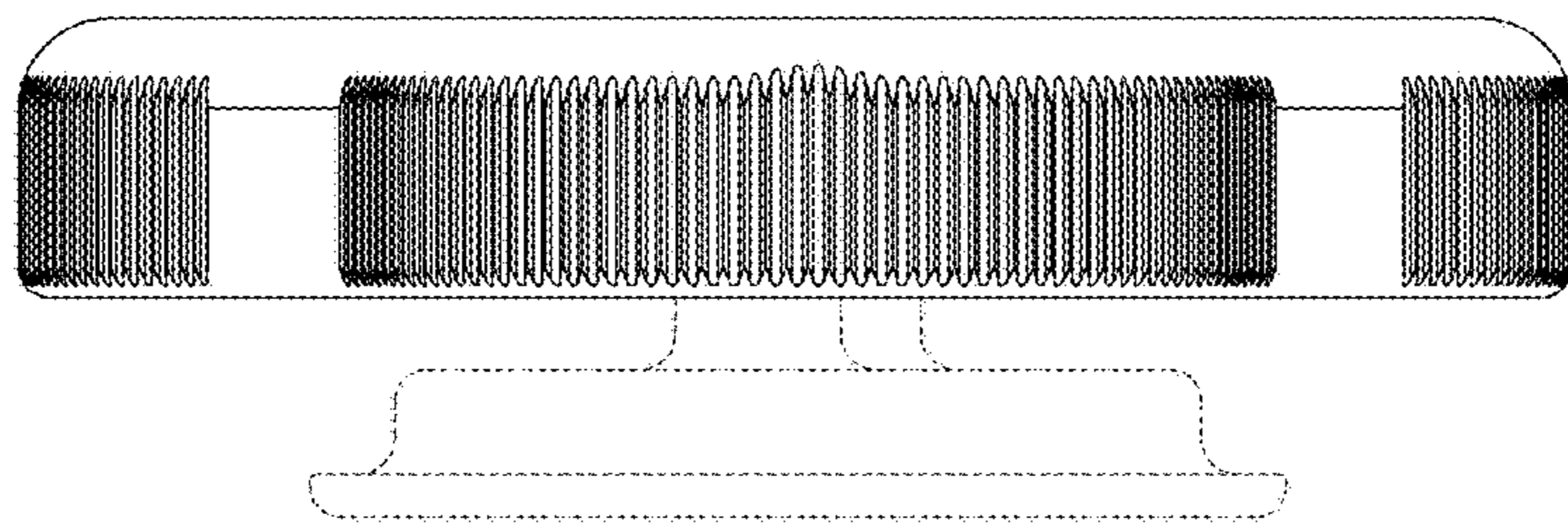


FIG. 7