



US00D847690S

(12) **United States Design Patent** (10) **Patent No.:** **US D847,690 S**
Ho (45) **Date of Patent:** **** *May 7, 2019**

(54) **JEWELRY SETTING**

(71) Applicant: **Nelson Jewellery Arts Company Ltd.,**
Hong Kong (HK)

(72) Inventor: **Chi Kai Nelson Ho,** Hong Kong (HK)

(73) Assignee: **Nelson Jewellery Arts Company Ltd.,**
Hong Kong (HK)

(*) Notice: This patent is subject to a terminal disclaimer.

(**) Term: **15 Years**

(21) Appl. No.: **29/627,486**

(22) Filed: **Nov. 28, 2017**

(51) **LOC (11) Cl.** **11-01**

(52) **U.S. Cl.**
USPC **D11/92**

(58) **Field of Classification Search**
USPC D11/1-3, 16, 26-34, 40-43, 67, 84,
D11/91-92

CPC A44C 1/00; A44C 17/00; A44C 17/001;
A44C 17/002; A44C 17/003; A44C
17/005; A44C 17/02; A44C 17/0208;
A44C 17/0216; A44C 17/0233; A44C
17/0241; A44C 17/04; A44C 17/046;
A44C 7/00; A44C 7/001; A44C 7/002;
A44C 7/003; A44C 7/004; A44C 7/005;
A44C 7/006; A44C 7/008; A44C 9/00
See application file for complete search history.

(56) **References Cited**

U.S. PATENT DOCUMENTS

D47,245 S * 4/1915 Ladd D11/92
D52,755 S * 12/1918 Silbermann D11/92
D63,548 S * 12/1923 Anshen D11/92
D65,650 S * 9/1924 Gross D11/92
D81,887 S * 8/1930 Rauf D11/92
D128,675 S * 8/1941 Greenberg D11/91

D132,955 S * 7/1942 Meyer D11/76
D133,837 S * 9/1942 Meyer D11/67
D135,780 S * 6/1943 Levy D11/40
D148,428 S * 1/1948 Katz D11/67

(Continued)

OTHER PUBLICATIONS

Retro Amethyst Oval Glass Floral Brooch, CostumeJewel.com, article dated to c. 1940s, online. Site visited on Sep. 22, 2018 . Internet URL:<"https://www.costumjewel.com/productDetail.php?id=517&item=retro_flower_brooch"> (Year: 2018).*

Primary Examiner — Cynthia Ramirez

Assistant Examiner — L. Martinez

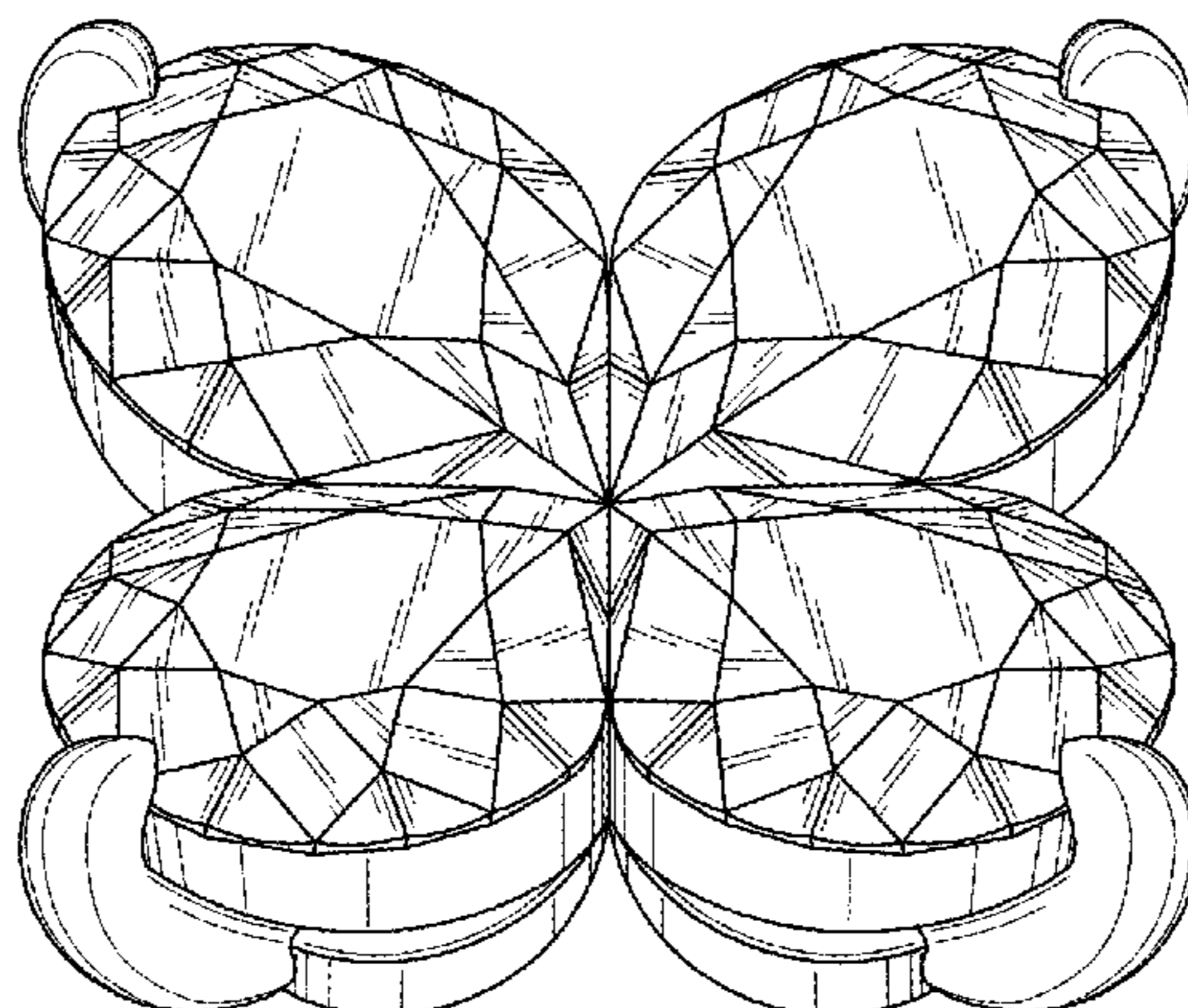
(57) **CLAIM**

The ornamental design for a jewelry setting, as shown and described.

DESCRIPTION

FIG. 1 is a perspective view of a jewelry setting showing my new design;
FIG. 2 is a front elevational view thereof;
FIG. 3 is a rear elevational view thereof;
FIG. 4 is a left side view thereof;
FIG. 5 is a right side view thereof;
FIG. 6 is a top plan view thereof;
FIG. 7 is a bottom plan view thereof;
FIG. 8 is another perspective view showing the jewelry setting of FIG. 1 in an environment of use;
FIG. 9 is another perspective view showing the jewelry setting of FIG. 1 in an environment of use; and,
FIG. 10 is another perspective view showing the jewelry setting of FIG. 1 in an environment of use.
The broken lines in FIG. 3 illustrate portions of the jewelry setting that form no part of the claimed design. The other broken lines FIGS. 8 through 10 depicting a ring, an earring cap and a pendant buckle merely represent environmental subject matter only and form no part of the claimed design.

1 Claim, 6 Drawing Sheets



(56)

References Cited

U.S. PATENT DOCUMENTS

D151,538 S * 10/1948 Philippe D11/67
 D154,306 S * 6/1949 Philippe D11/67
 D155,178 S * 9/1949 Ostier D11/91
 D157,169 S * 2/1950 Katz D11/67
 D158,546 S * 5/1950 Bardach D11/67
 D159,778 S * 8/1950 Bogoff D11/67
 D160,203 S * 9/1950 Philippe D11/67
 D164,951 S * 10/1951 Philippe D11/67
 D166,630 S * 4/1952 Philippe D11/40
 D167,364 S * 7/1952 Philippe D11/67
 D167,712 S * 9/1952 Philippe D11/76
 D175,604 S * 9/1955 Katz D11/40
 D177,405 S * 4/1956 Katz D11/91
 D177,819 S * 5/1956 Katz D11/6
 D180,904 S * 9/1957 Katz D11/67
 2,814,806 A * 12/1957 Rush A42B 1/12
 2/68

D190,514 S * 6/1961 Doering D11/36
 3,589,322 A * 6/1971 Hirokawa D05C 17/00
 112/401
 D434,693 S * 12/2000 Kaplan D11/91
 D445,058 S * 7/2001 Kaplan D11/91
 D453,121 S * 1/2002 Bowman D11/91
 D454,090 S * 3/2002 Kaplan D11/91
 D463,314 S * 9/2002 Elishyov D11/90
 D533,104 S * 12/2006 Ho D11/90
 D558,637 S * 1/2008 Riesenber D11/91
 D562,721 S * 2/2008 Shah D11/91
 D562,722 S * 2/2008 Shah D11/91
 D591,637 S * 5/2009 Ho D11/34
 D691,510 S * 10/2013 Ho D11/56
 D794,499 S * 8/2017 Hardy D11/92
 D814,959 S * 4/2018 Kwon D11/7
 D820,145 S * 6/2018 Galli D11/40
 D828,214 S * 9/2018 Galli D11/84

* cited by examiner

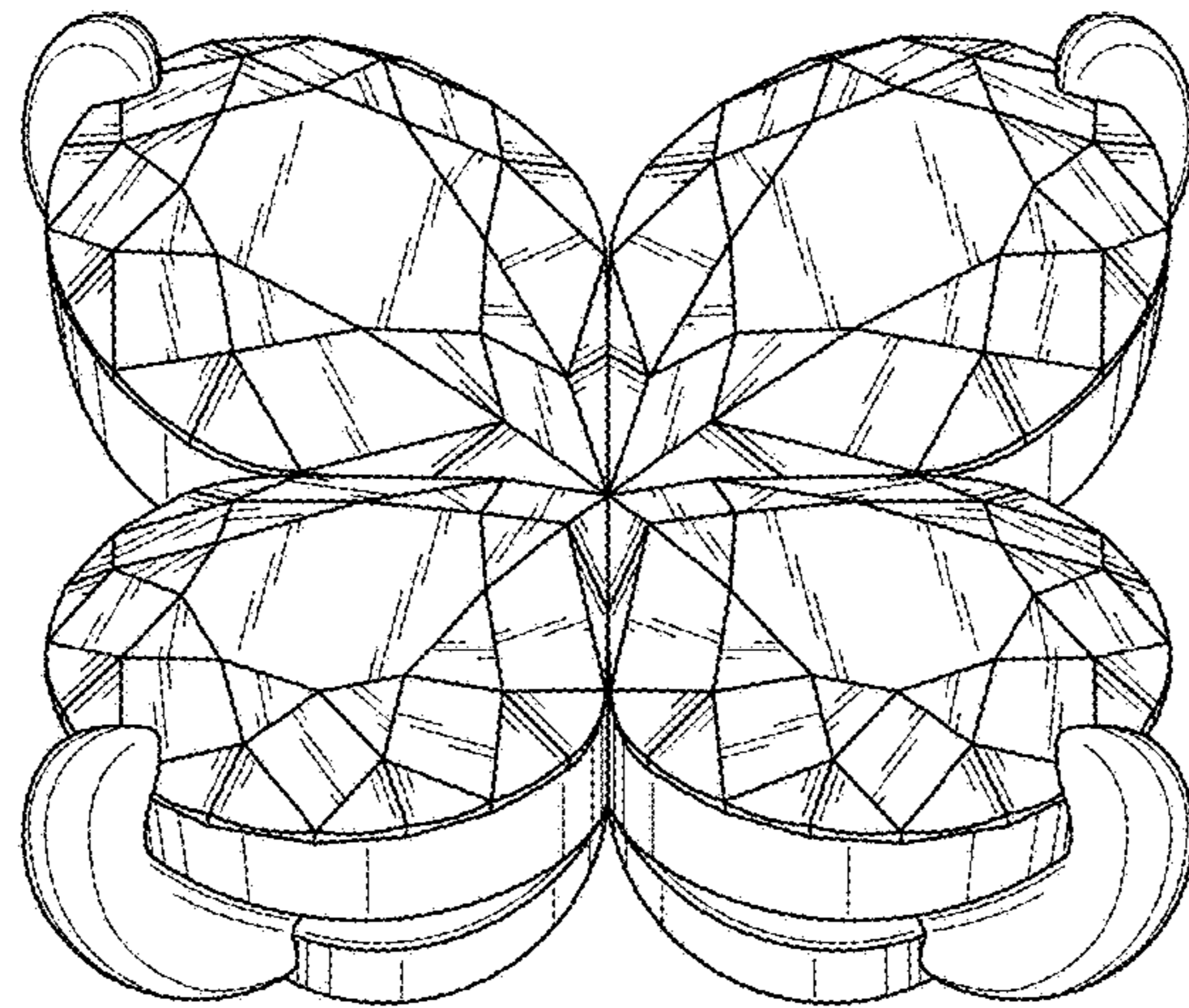


FIG. 1

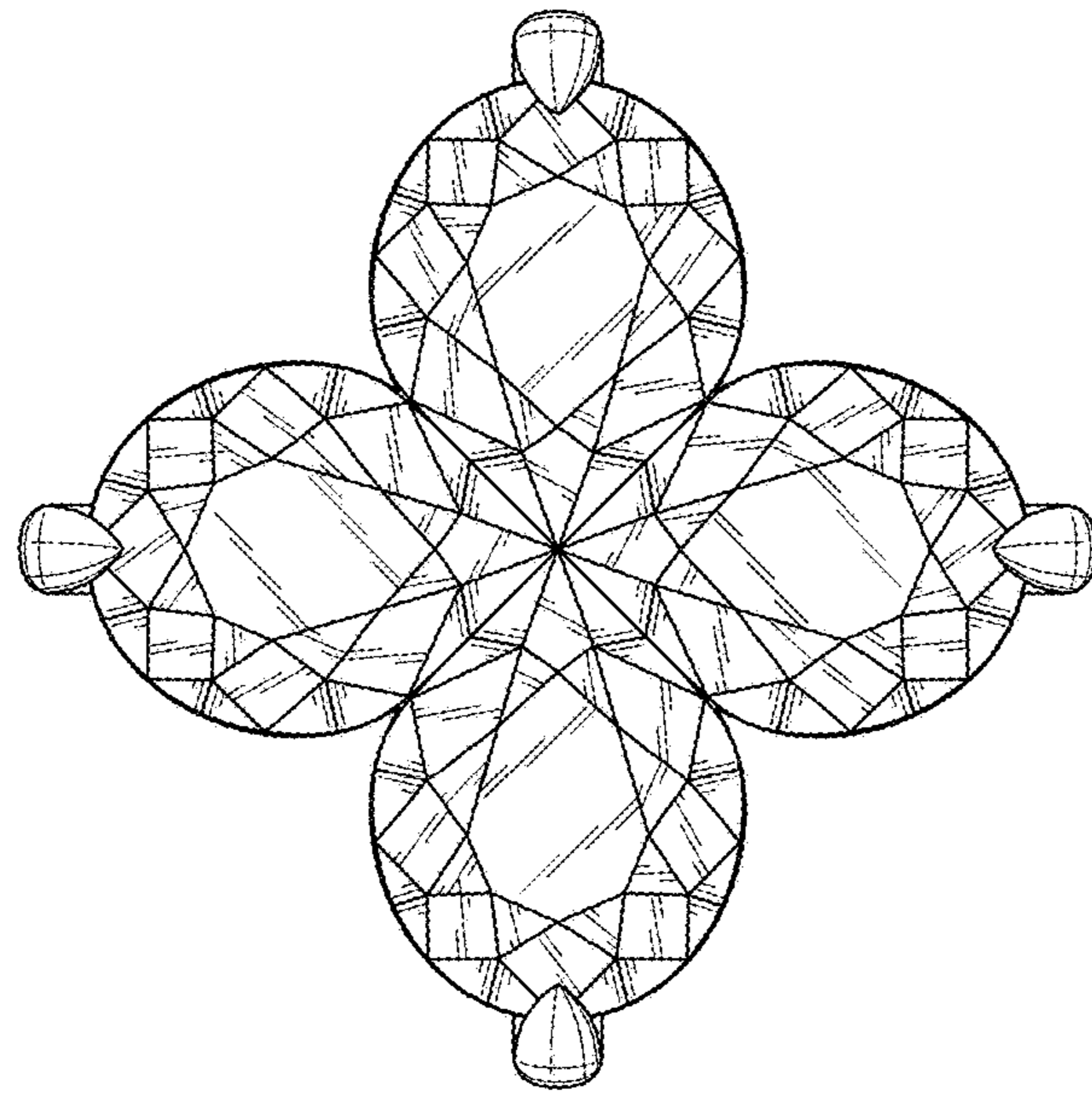


FIG. 2

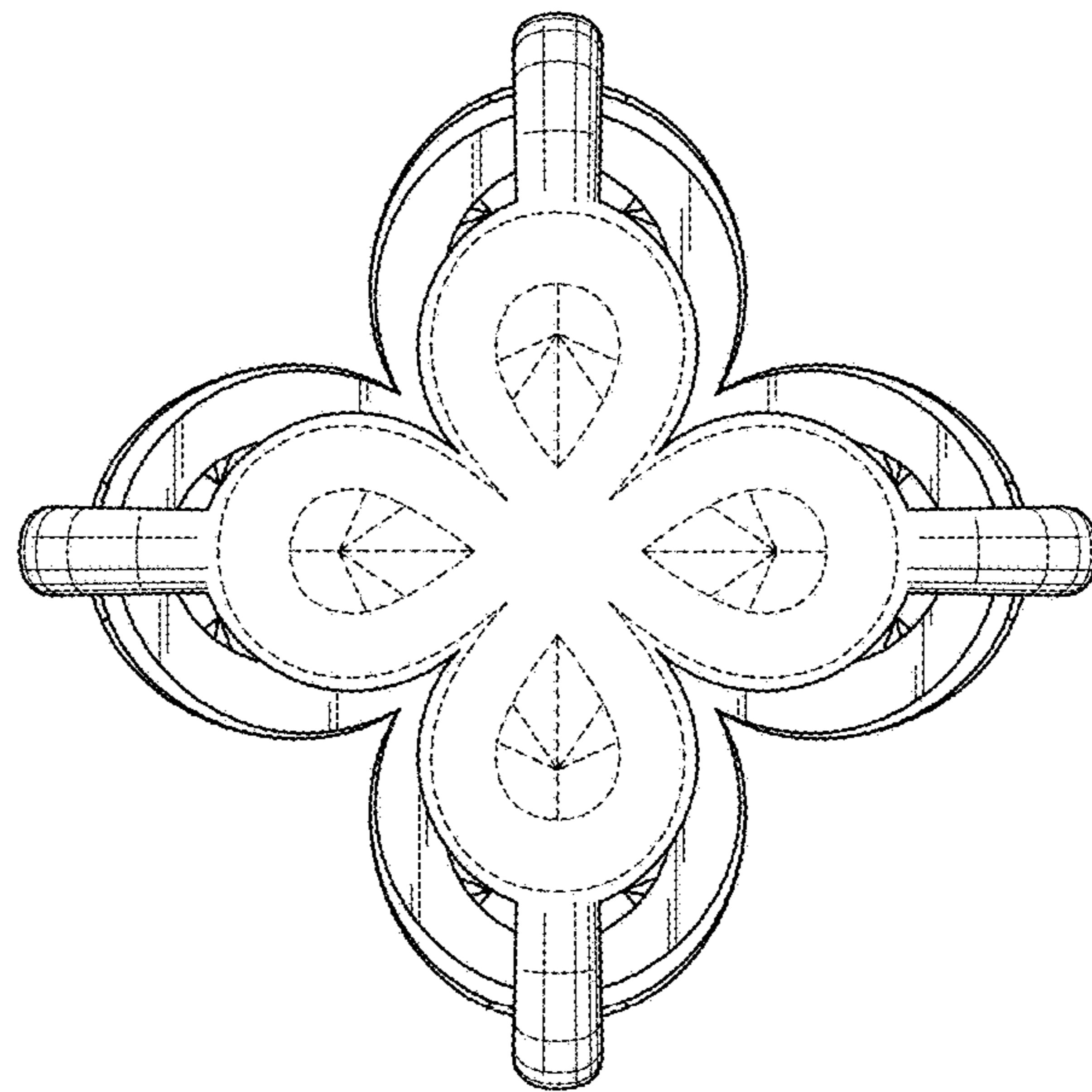


FIG. 3

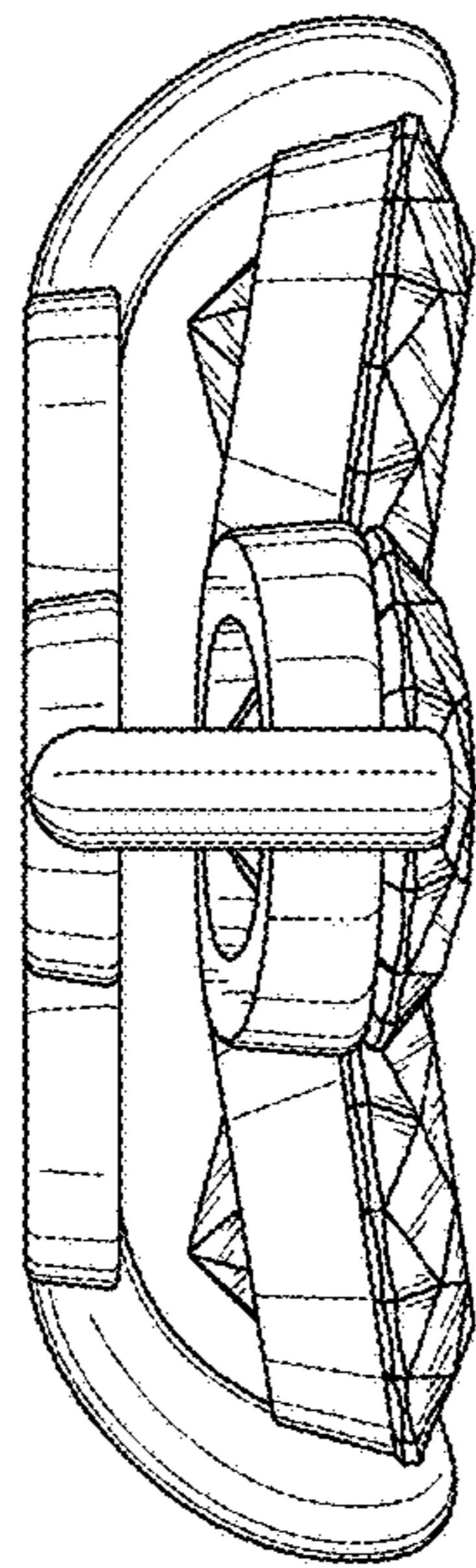


FIG. 4

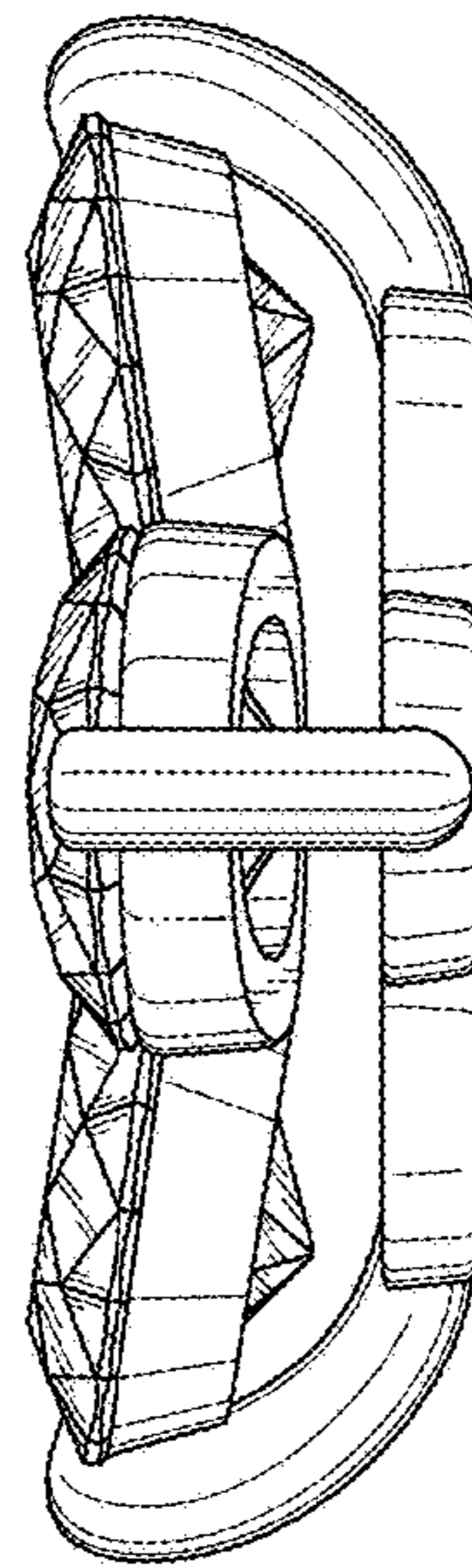


FIG. 5

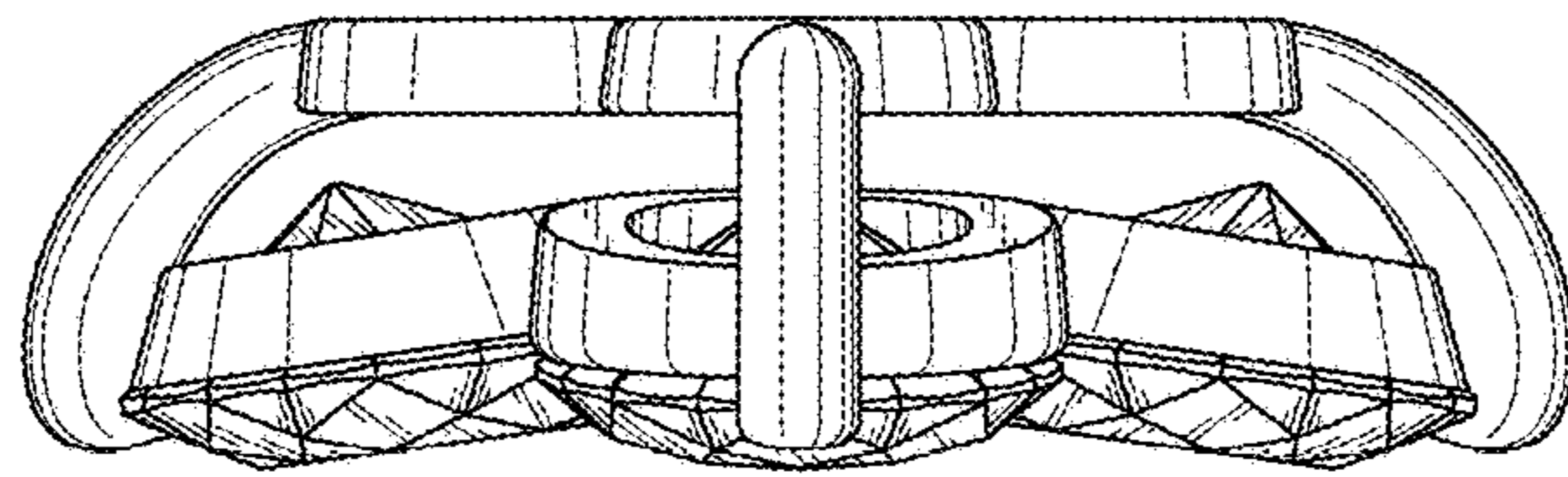


FIG. 6

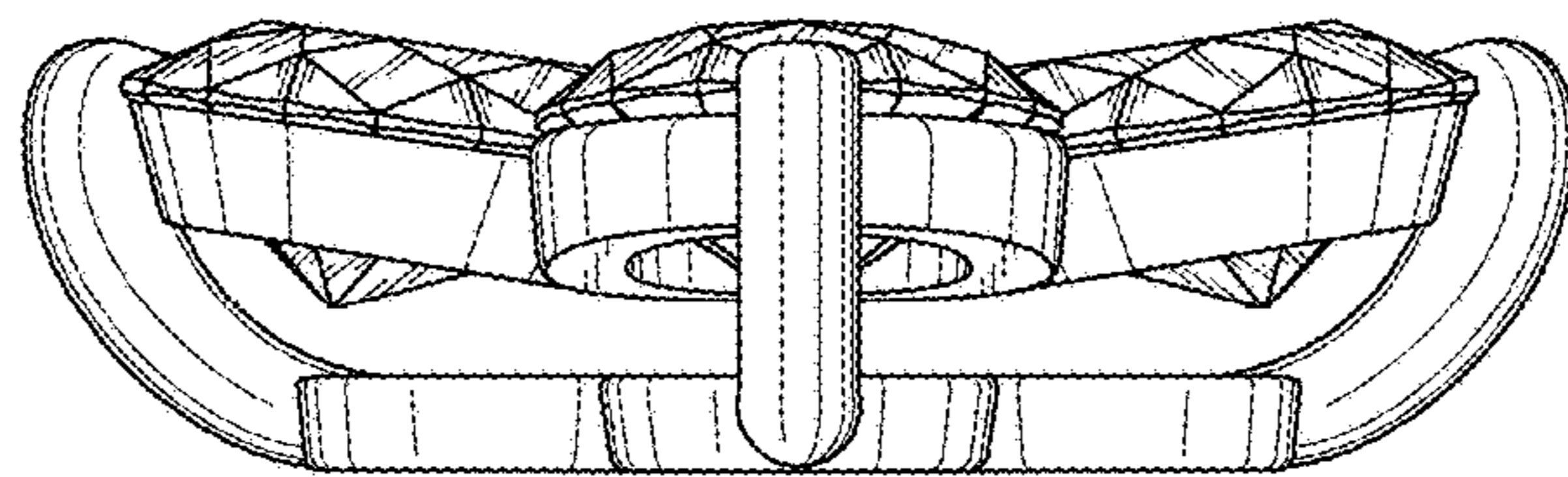


FIG. 7

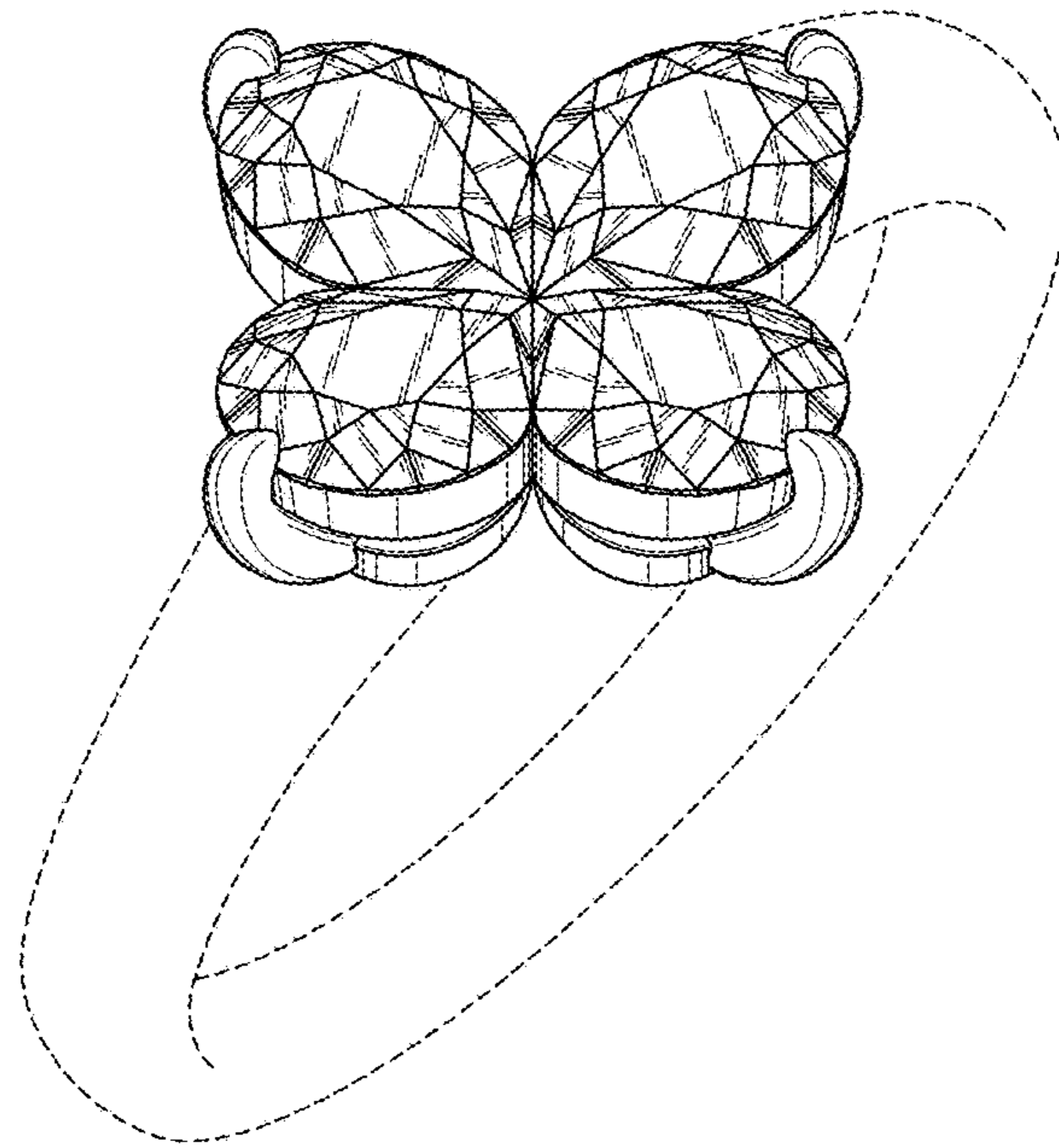


FIG. 8

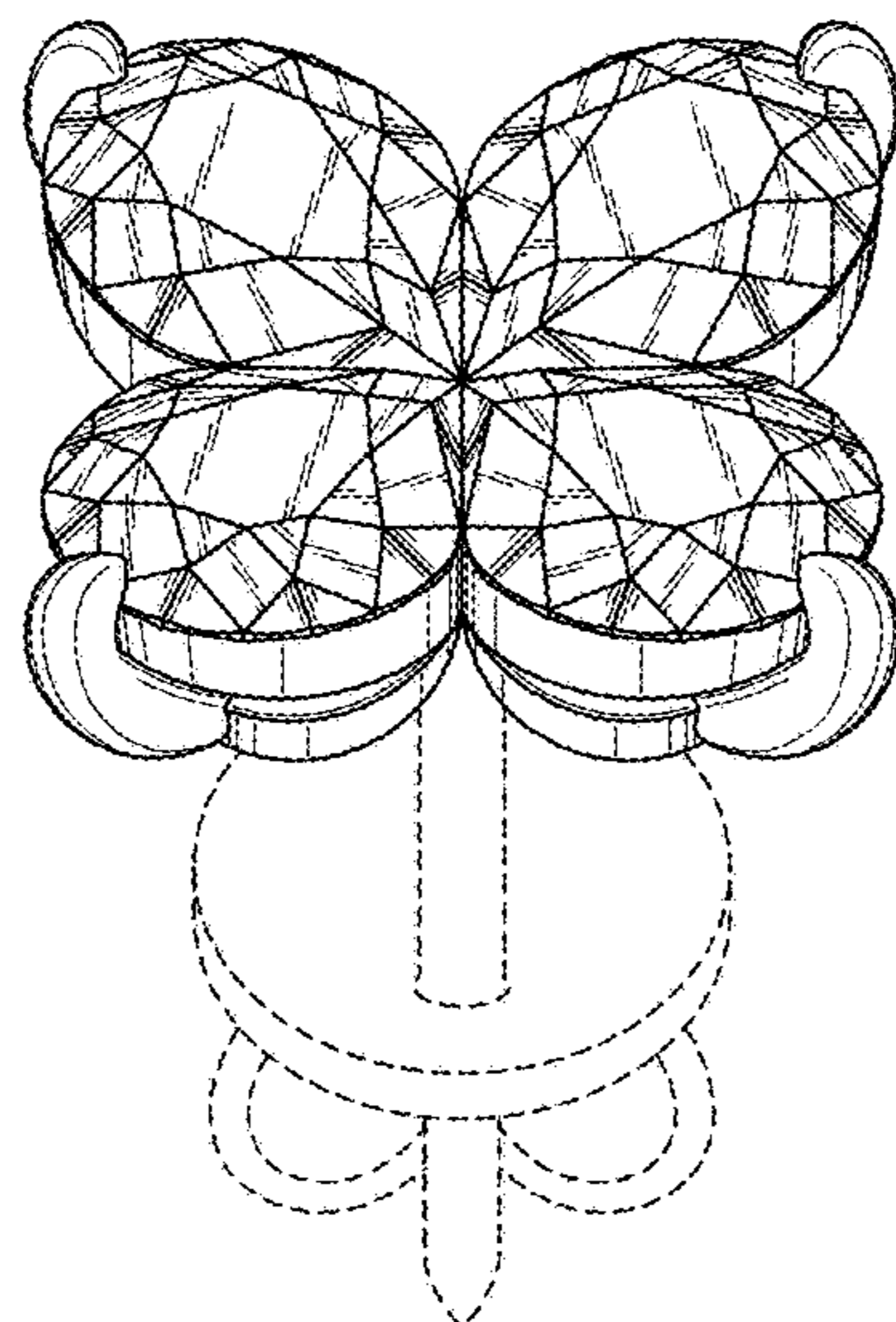


FIG. 9

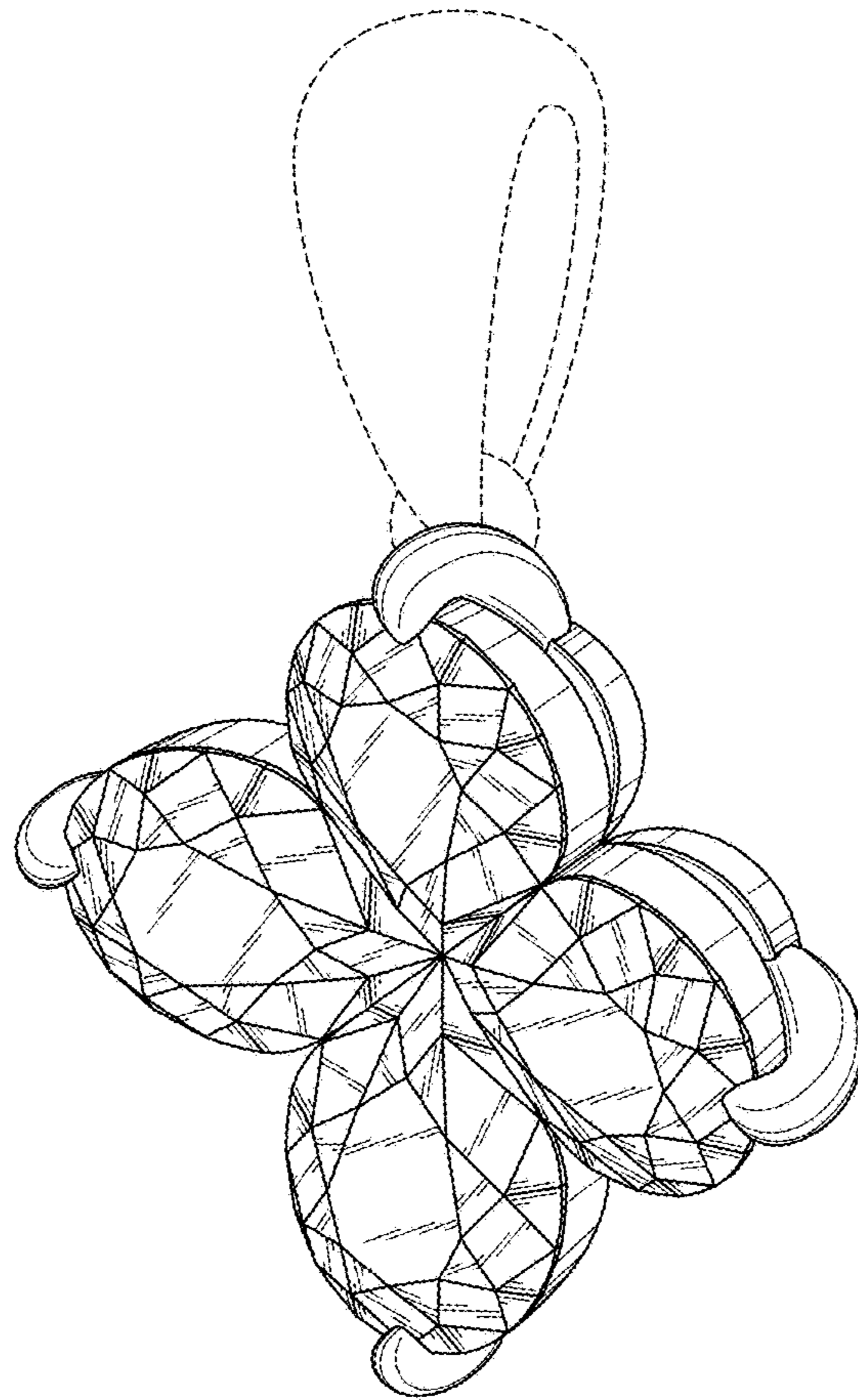


FIG. 10