



US00D847679S

(12) **United States Design Patent** (10) **Patent No.:** **US D847,679 S**
McBride et al. (45) **Date of Patent:** **** May 7, 2019**

(54) **METER HOUSING**

(71) Applicant: **Honeywell International Inc.**, Morris Plains, NJ (US)

(72) Inventors: **Thomas Owen McBride**, Raleigh, NC (US); **Garry Melvin Loy**, Raleigh, NC (US); **Steven Criscione**, Raleigh, NC (US); **Warren Ginn**, Raleigh, NC (US)

(73) Assignee: **Honeywell International Inc.**, Morris Plains, NJ (US)

(**) Term: **15 Years**

(21) Appl. No.: **29/636,208**

(22) Filed: **Feb. 7, 2018**

Related U.S. Application Data

(63) Continuation of application No. 29/580,460, filed on Oct. 10, 2016, now Pat. No. Des. 812,505.

(51) **LOC (11) Cl.** **10-04**

(52) **U.S. Cl.**
USPC **D10/100**; D10/103

(58) **Field of Classification Search**
USPC D10/99, 100, 103
CPC G01F 15/14; Y10T 137/6995; Y10T 29/49002; E02D 29/14; E02D 29/1472; G01R 11/14; G01R 22/00; G01R 22/06; G01R 22/061; G01R 22/08; G01R 22/10; G01R 22/065; G01R 21/00; G01R 21/06; G01R 21/133; G01R 21/1331; G01R 21/1333; G01R 21/1335; G01R 21/1336; G01R 21/1338; G01R 21/065; H02B 1/03; H02B 1/06; H02B 1/063; H02B 1/066; G06F 17/40; G06F 19/00; G01D 4/006; G01D 11/245; G06Q 50/06; F25D 29/00; F25D 21/08; F25B 2600/23; H02J 3/04; H02J 13/0086; H02J 13/0062; H02J 2003/146; Y02B 70/3225; Y02B 70/3216
See application file for complete search history.

(56) **References Cited**

U.S. PATENT DOCUMENTS

D629,708 S	12/2010	Popp	
8,717,007 B2	5/2014	Banhegyesi	
9,163,974 B1	10/2015	Kekalainen	
D784,834 S	4/2017	John	
9,921,245 B2 *	3/2018	Loy	G01R 11/04
2009/0168307 A1	7/2009	Loy	

* cited by examiner

Primary Examiner — Antoine Duval Davis

(57) **CLAIM**

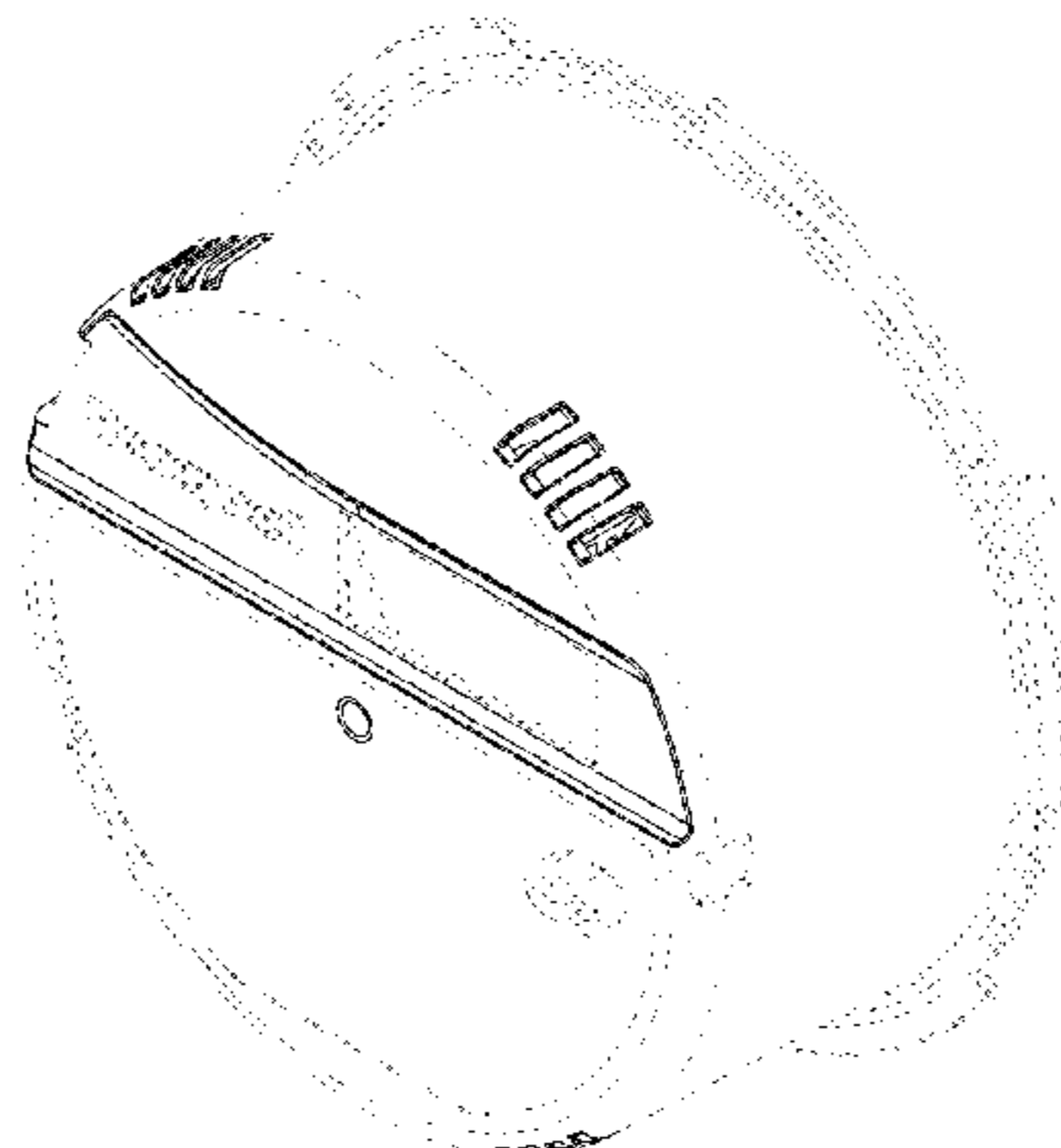
We claim the ornamental design for a meter housing, as shown and described.

DESCRIPTION

FIG. 1 is a perspective of a meter housing according to a first aspect of our new design;
FIG. 2 is a front view thereof;
FIG. 3 is a rear view thereof;
FIG. 4 is a left side view thereof;
FIG. 5 is a right side view thereof;
FIG. 6 is a top view thereof;
FIG. 7 is a bottom view thereof;
FIG. 8 is a perspective of a meter housing according to a second aspect of our new design;
FIG. 9 is a front view thereof;
FIG. 10 is a rear view thereof;
FIG. 11 is a left side view thereof;
FIG. 12 is a right side view thereof;
FIG. 13 is a top view thereof; and,
FIG. 14 is a bottom view thereof.

The broken line portions of the figures represent unclaimed subject matter only and form no part of the claimed design.

1 Claim, 10 Drawing Sheets



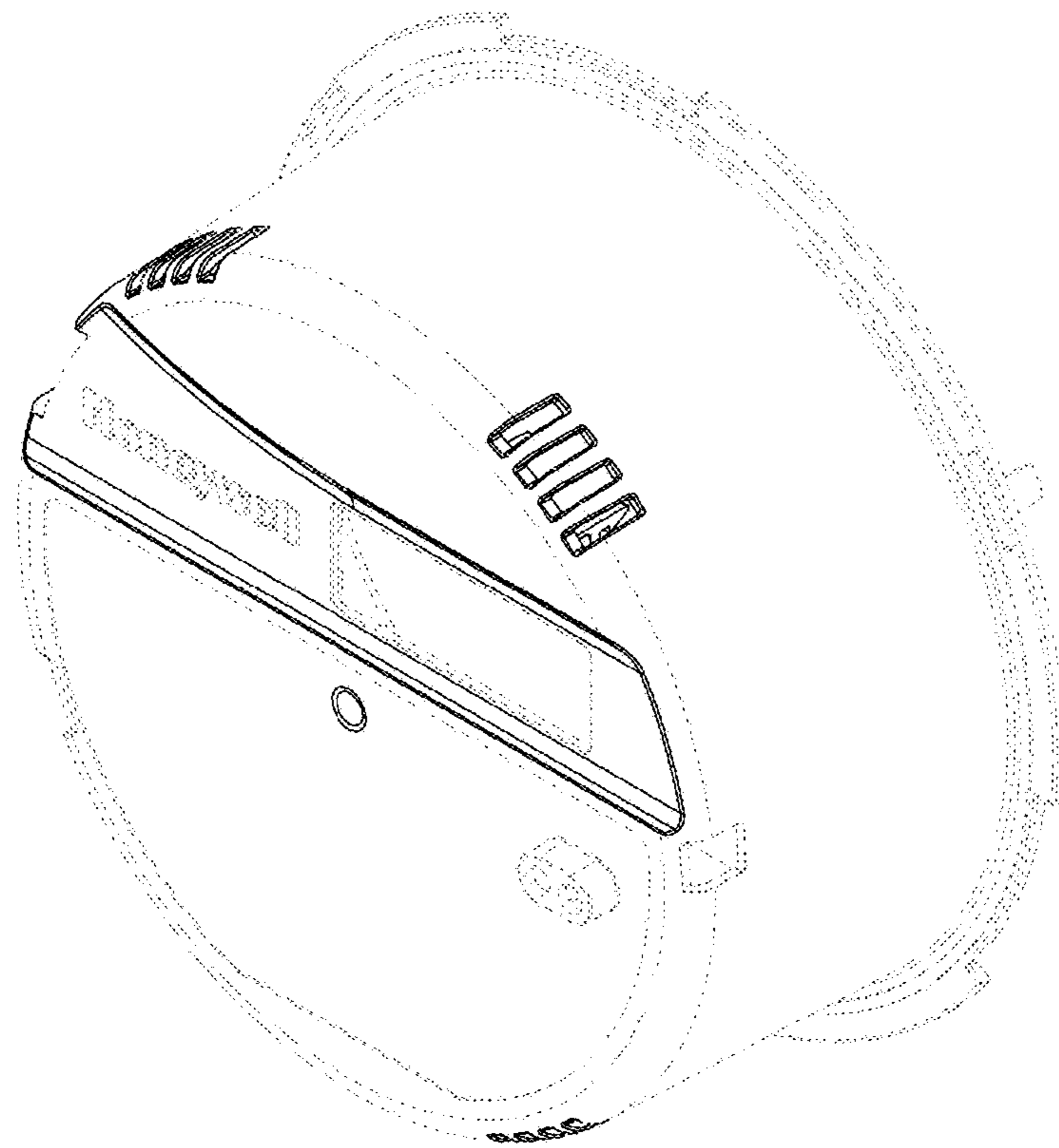


FIG. 1

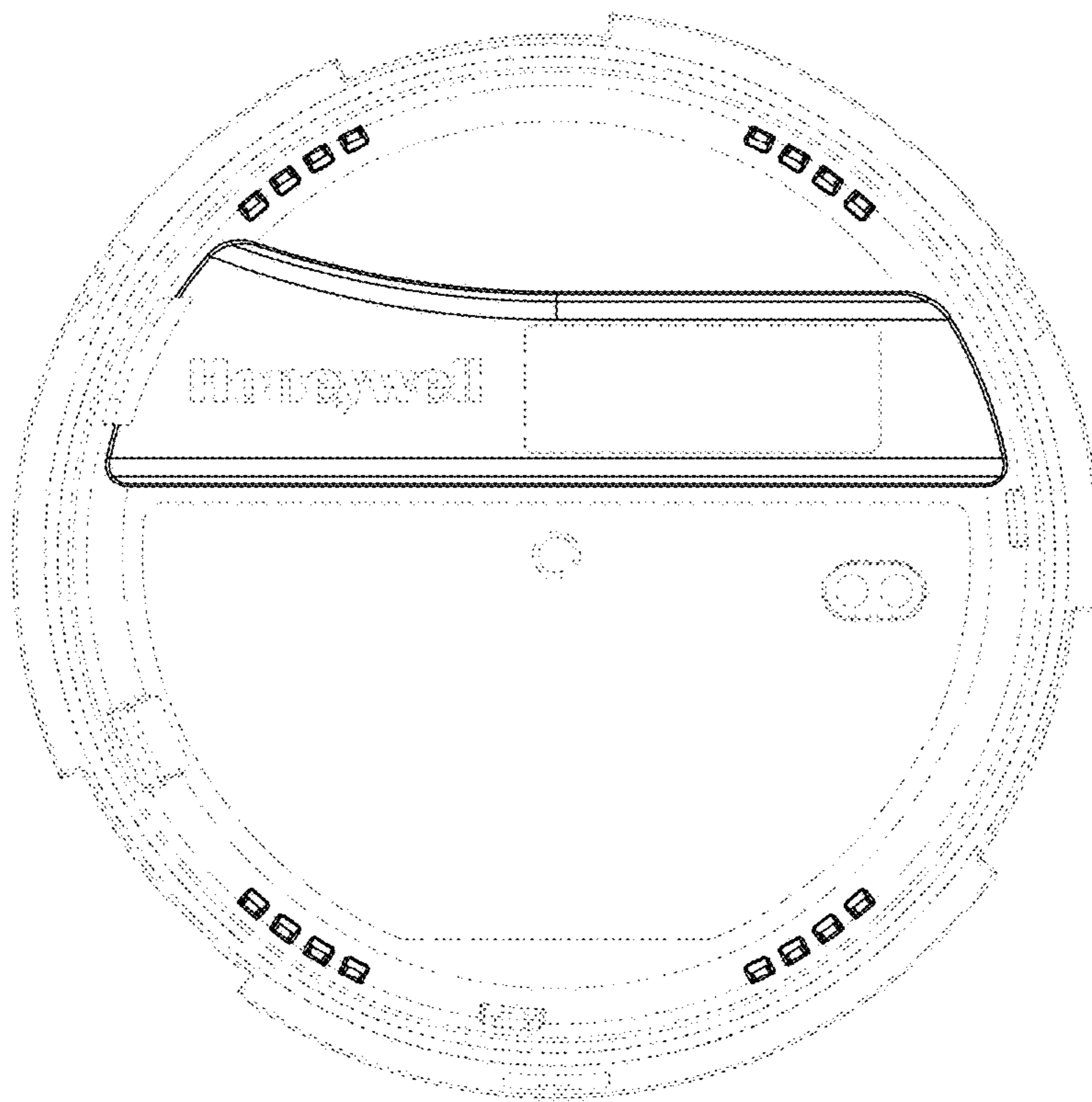


FIG. 2

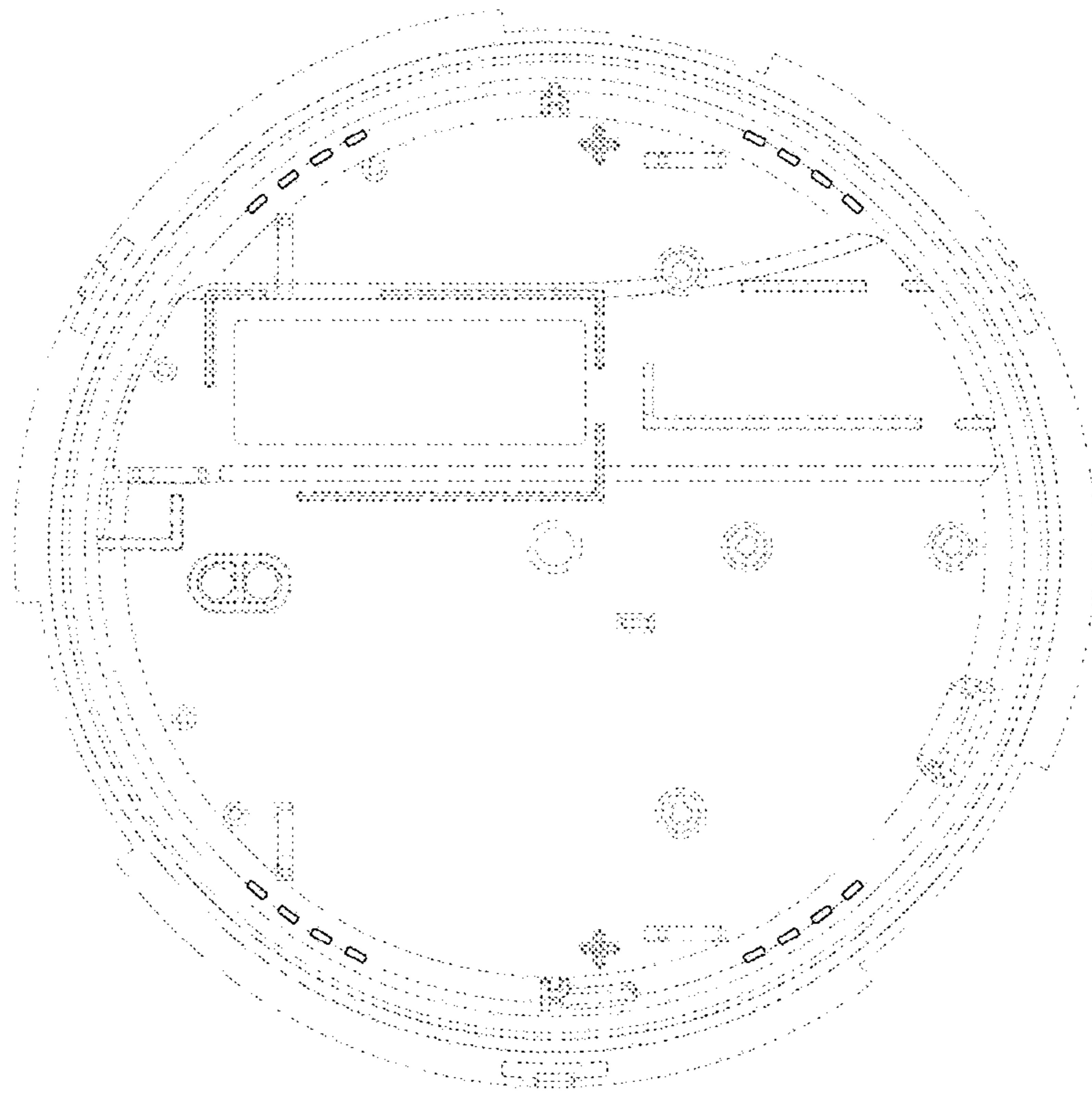


FIG. 3

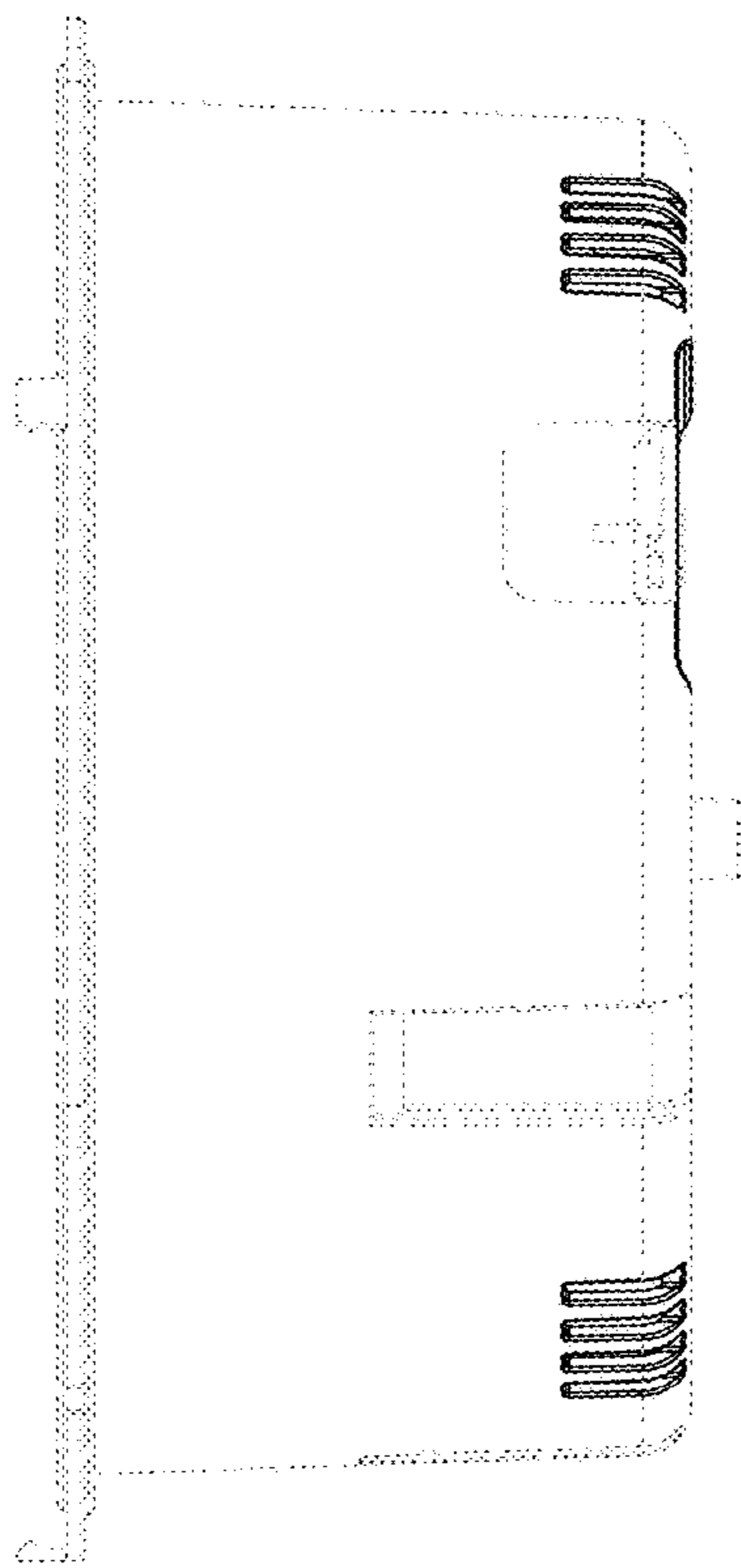


FIG. 4

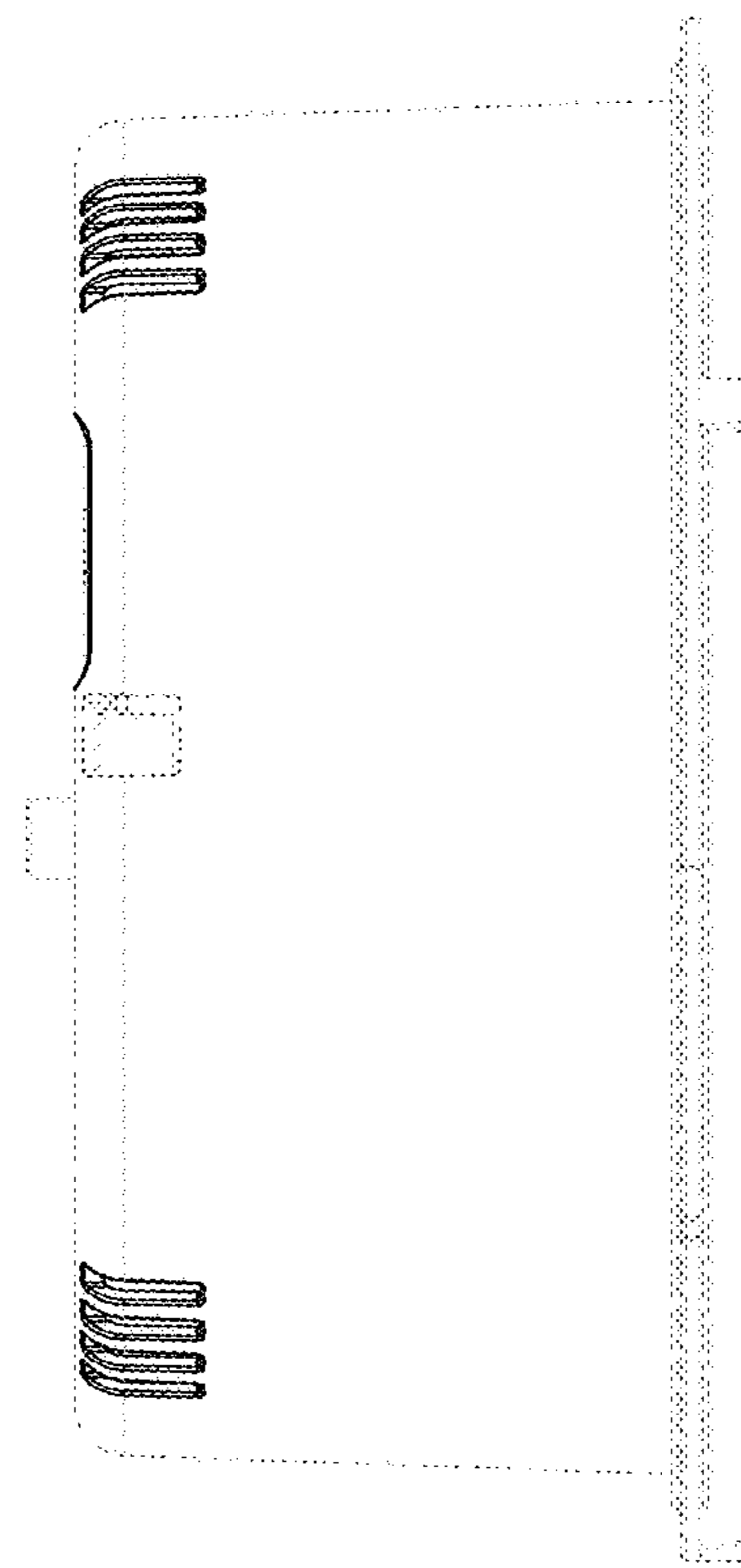


FIG. 5

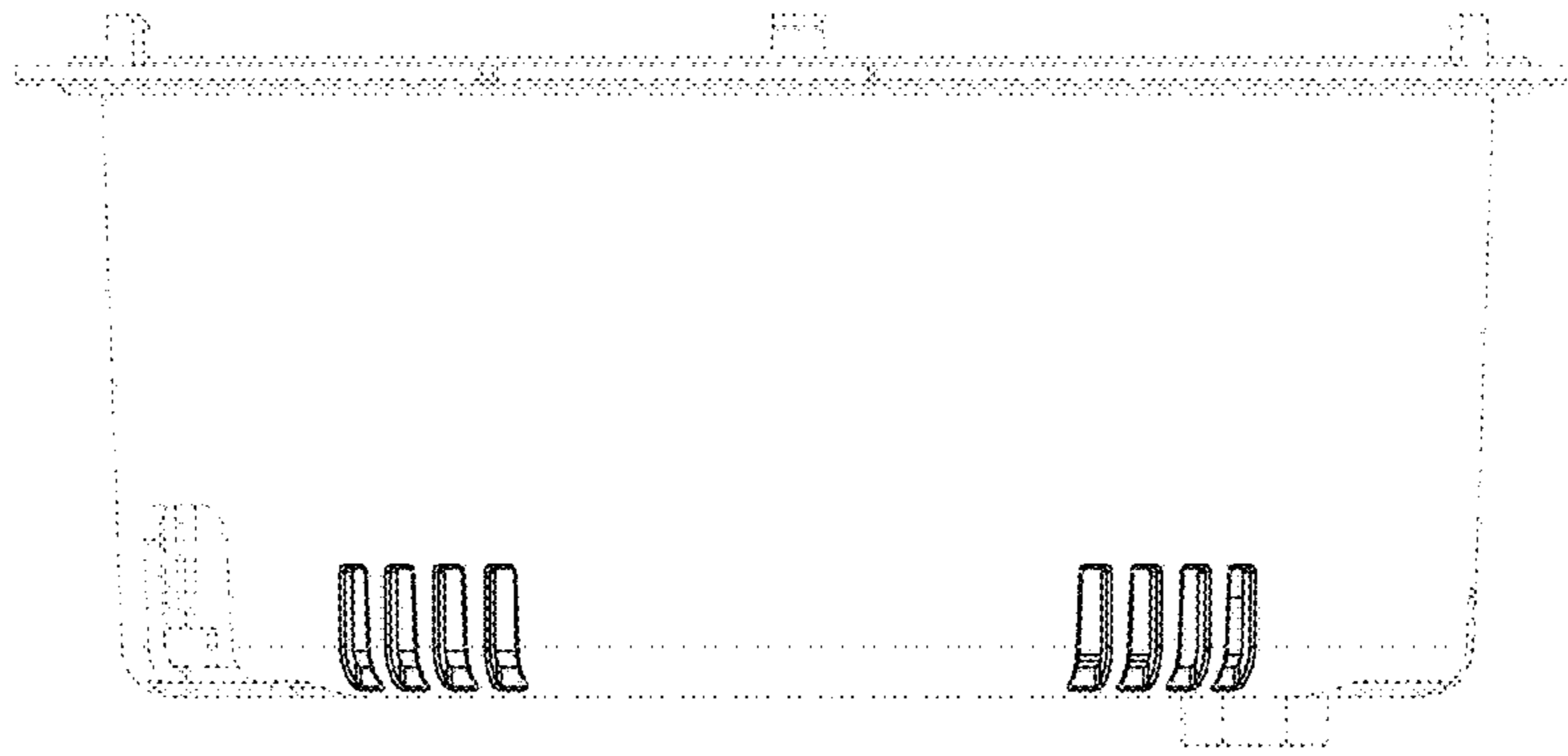


FIG. 6

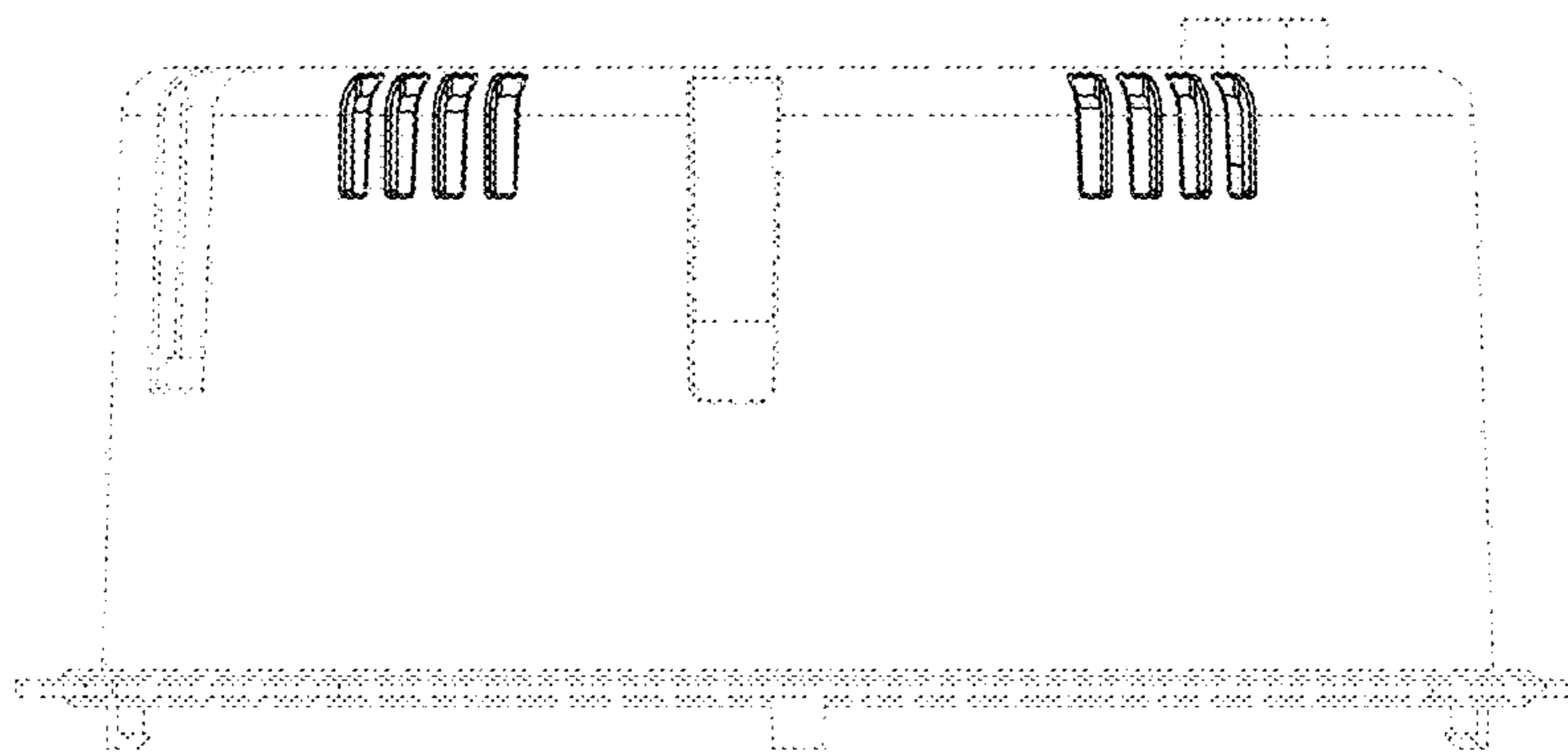


FIG. 7

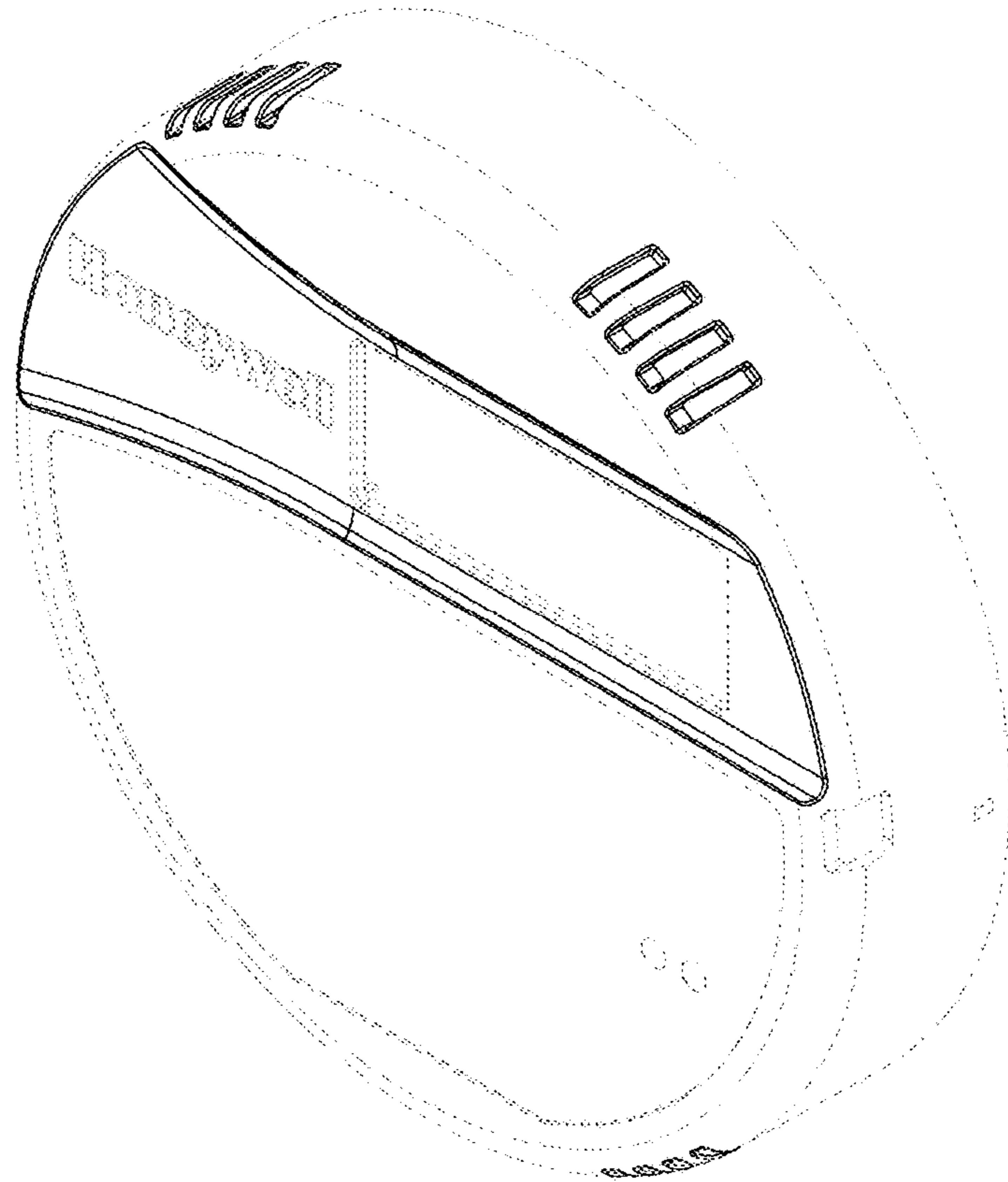


FIG. 8

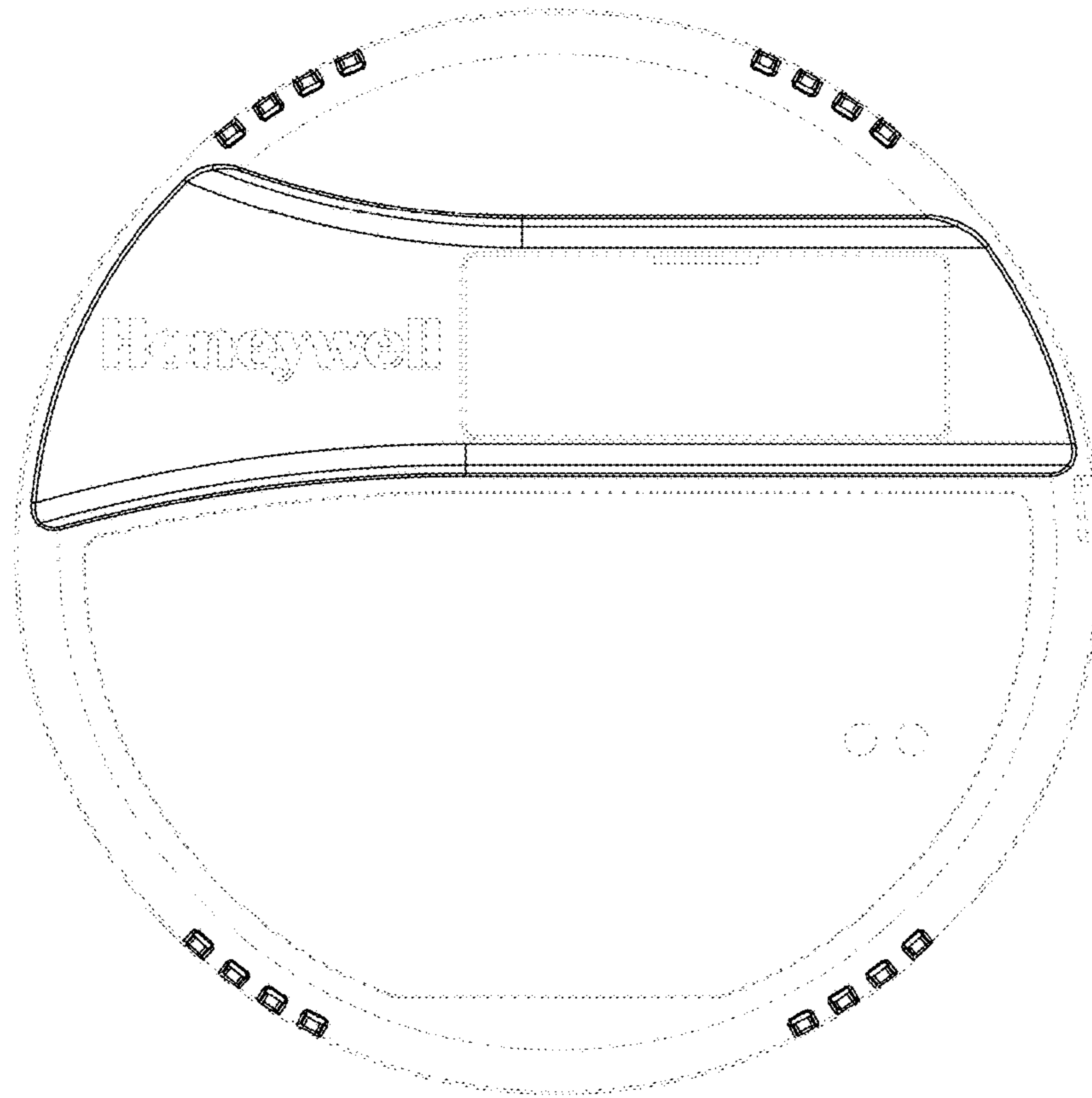


FIG. 9

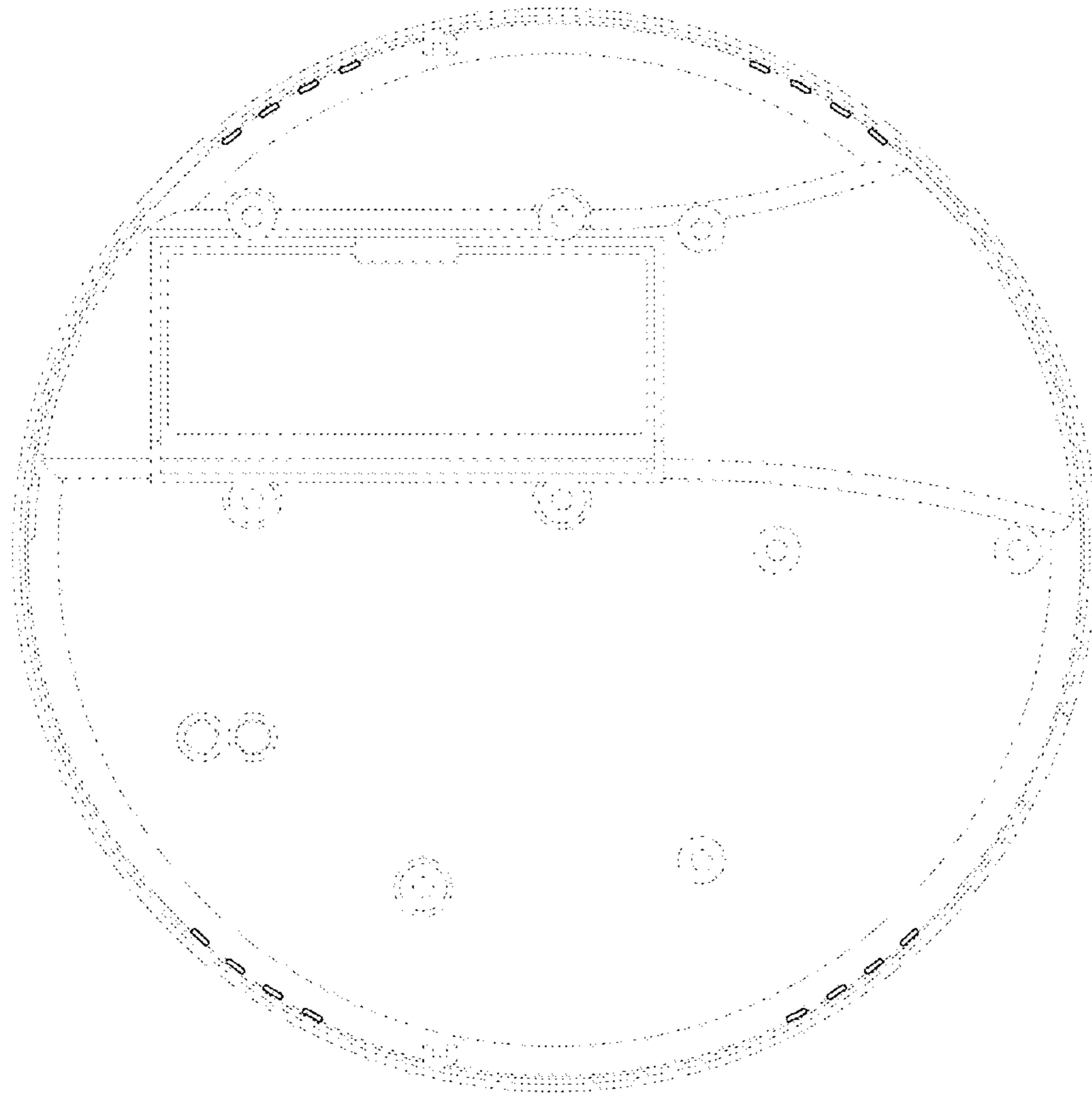


FIG. 10

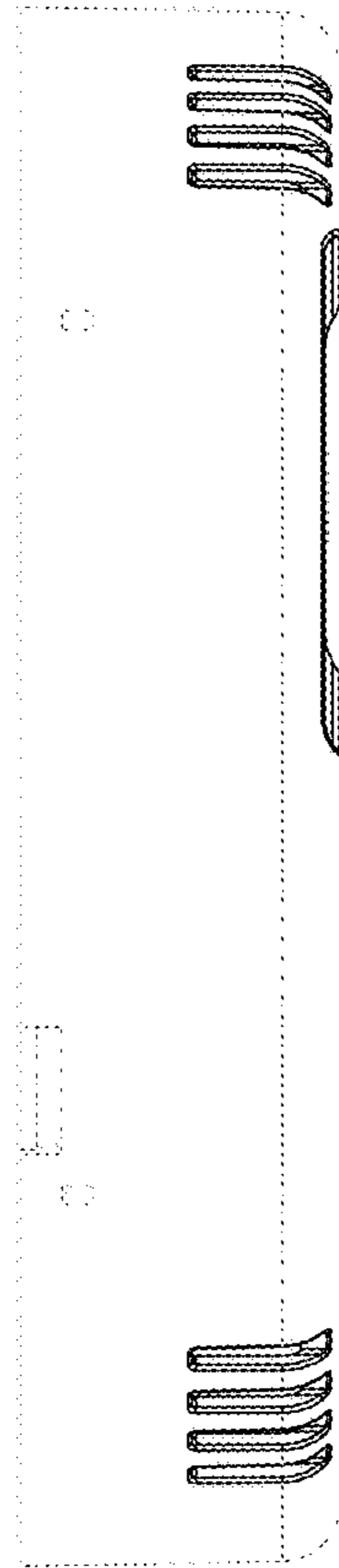


FIG. 11

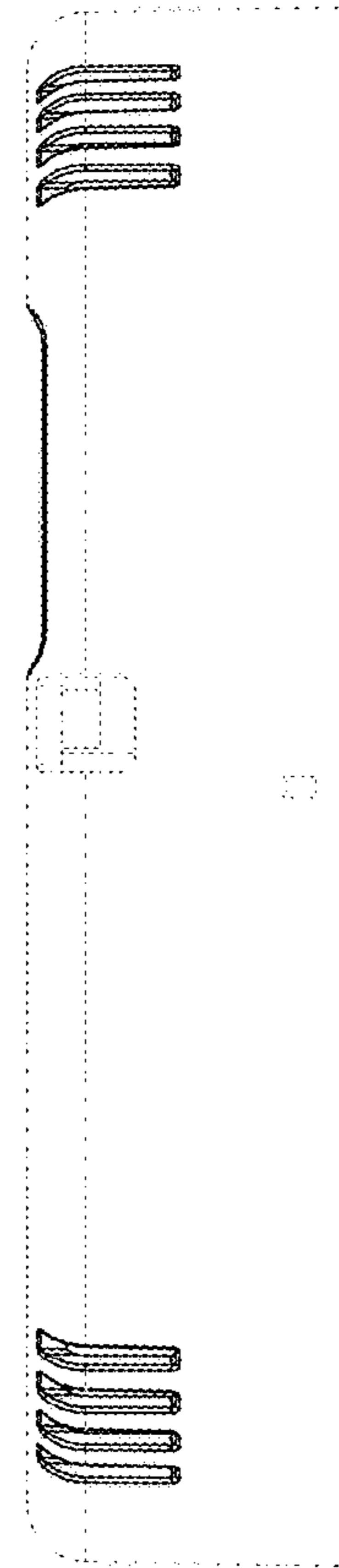


FIG. 12



FIG. 13

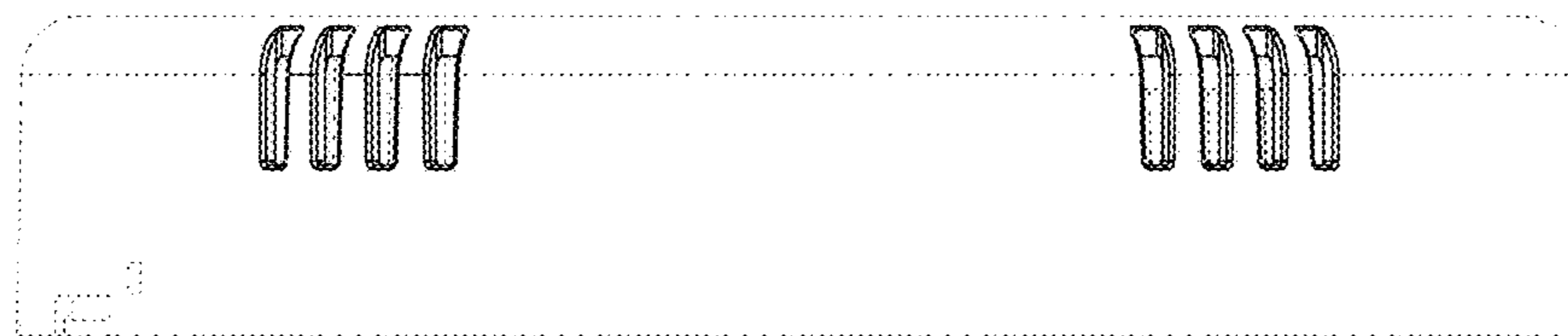


FIG. 14