



US00D847678S

(12) **United States Design Patent**
Maeno et al.

(10) **Patent No.:** **US D847,678 S**
(45) **Date of Patent:** **** May 7, 2019**

(54) **WEIGHING DEVICE**

(71) Applicant: **Yamato Scale Co., Ltd.**, Akashi-shi, Hyogo (JP)

(72) Inventors: **Katsutoshi Maeno**, Nishinomiya (JP); **Koji Morimoto**, Akashi (JP); **Naoko Hashimoto**, Kakogawa (JP)

(73) Assignee: **YAMATO SCALE CO., LTD.**, Akashi-shi, Hyogo (JP)

(**) Term: **15 Years**

(21) Appl. No.: **29/623,960**

(22) Filed: **Oct. 27, 2017**

(30) **Foreign Application Priority Data**

Apr. 28, 2017 (JP) 2017-009445

(51) **LOC (11) Cl.** **10-04**

(52) **U.S. Cl.**
USPC **D10/94; D15/28**

(58) **Field of Classification Search**
USPC **D10/87, 94; D15/28**

(Continued)

(56) **References Cited**

U.S. PATENT DOCUMENTS

7,732,718 B2 * 6/2010 Tatsuoka G01G 19/393
177/25.18

9,651,414 B2 * 5/2017 Hofer G01G 11/003
(Continued)

Primary Examiner — Antoine Duval Davis

(74) *Attorney, Agent, or Firm* — Alleman Hall Creasman & Tuttle LLP

(57) **CLAIM**

The ornamental design for a weighing device, as shown and described.

DESCRIPTION

FIG. 1 is a front view of an ornamental design for a weighing device showing my new design, the weighing device includ-

ing a first weighing unit illustrated on the left side of the figure and a second weighing unit illustrated on the right side of the figure, the weighing device being configured to discharge a batch (mass) of weighed objects through an outlet illustrated at the bottom of the figure, the batch having a weight within a permissible weight range determined based on a predetermined target weight.

FIG. 2 is a rear view of the weighing device of FIG. 1.

FIG. 3 is a plan view of the weighing device of FIG. 1.

FIG. 4 is a bottom view of the weighing device of FIG. 1.

FIG. 5 is a left side view of the weighing device of FIG. 1,

illustrating the second weighing unit that performs combination weighing of discharging a batch of weighed objects,

the batch having a weight within a permissible weight range determined based on a difference between the target weight

and the weight of the batch of weighed objects discharged

from any one of first to third sub weighing portions of the

first weighing unit.

FIG. 6 is a right side view of the weighing device of FIG. 1,

illustrating the first to third sub weighing portions of the first

weighing unit, each of the first to third sub weighing

portions being configured to discharge a batch of weighed

objects, the batch substantially having a predetermined sub

target weight smaller than the target weight.

FIG. 7 is a top-front-right perspective view of the weighing

device of FIG. 1.

FIG. 8 is a top-rear-left perspective view of the weighing

device of FIG. 1.

FIG. 9 is a bottom-front-right perspective view of the

weighing device of FIG. 1, illustrating a collecting chute

with an outlet through which is discharged the batch of

weighed objects discharged from any one of the first to third

sub weighing portions of the first weighing unit and the

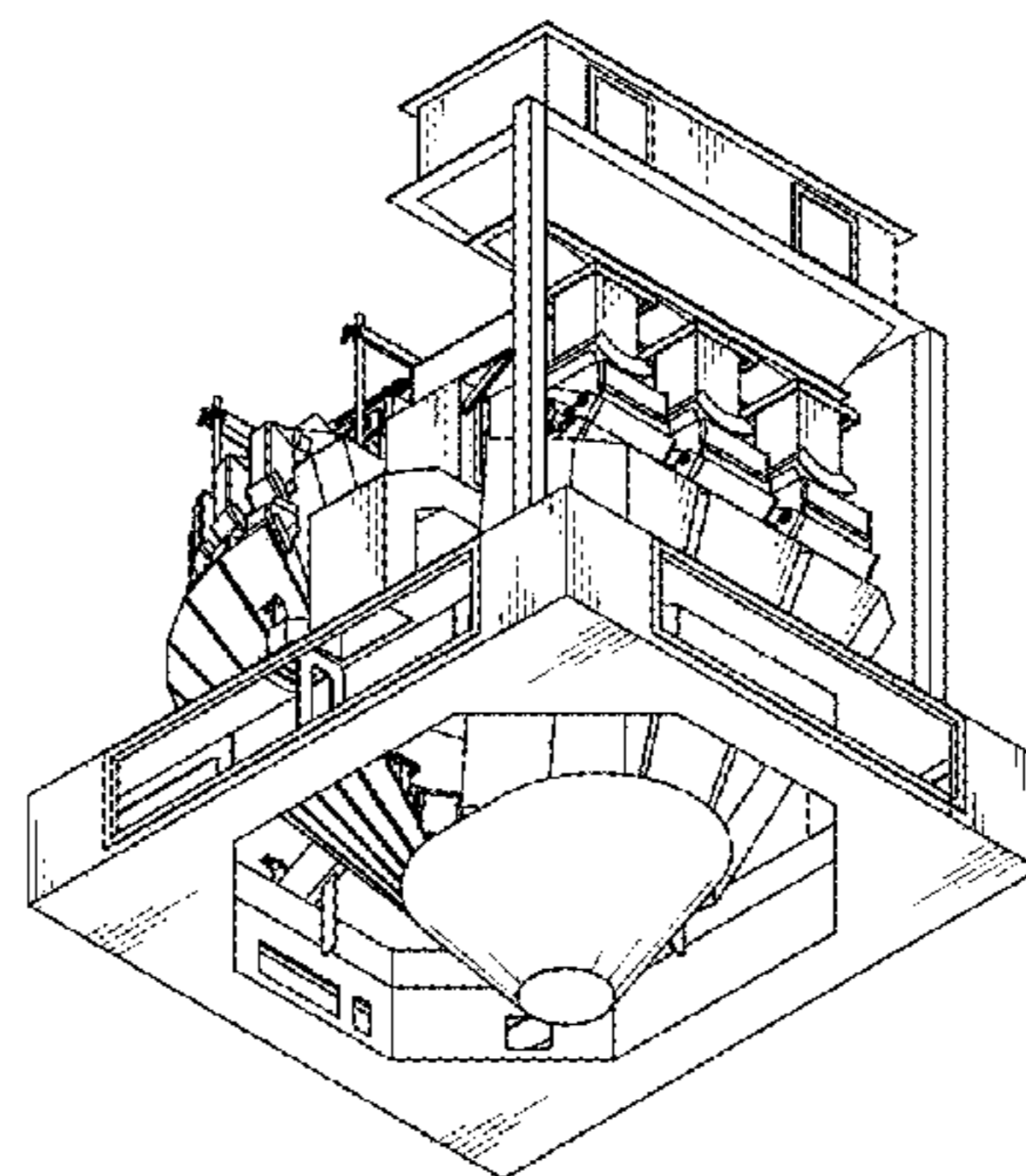
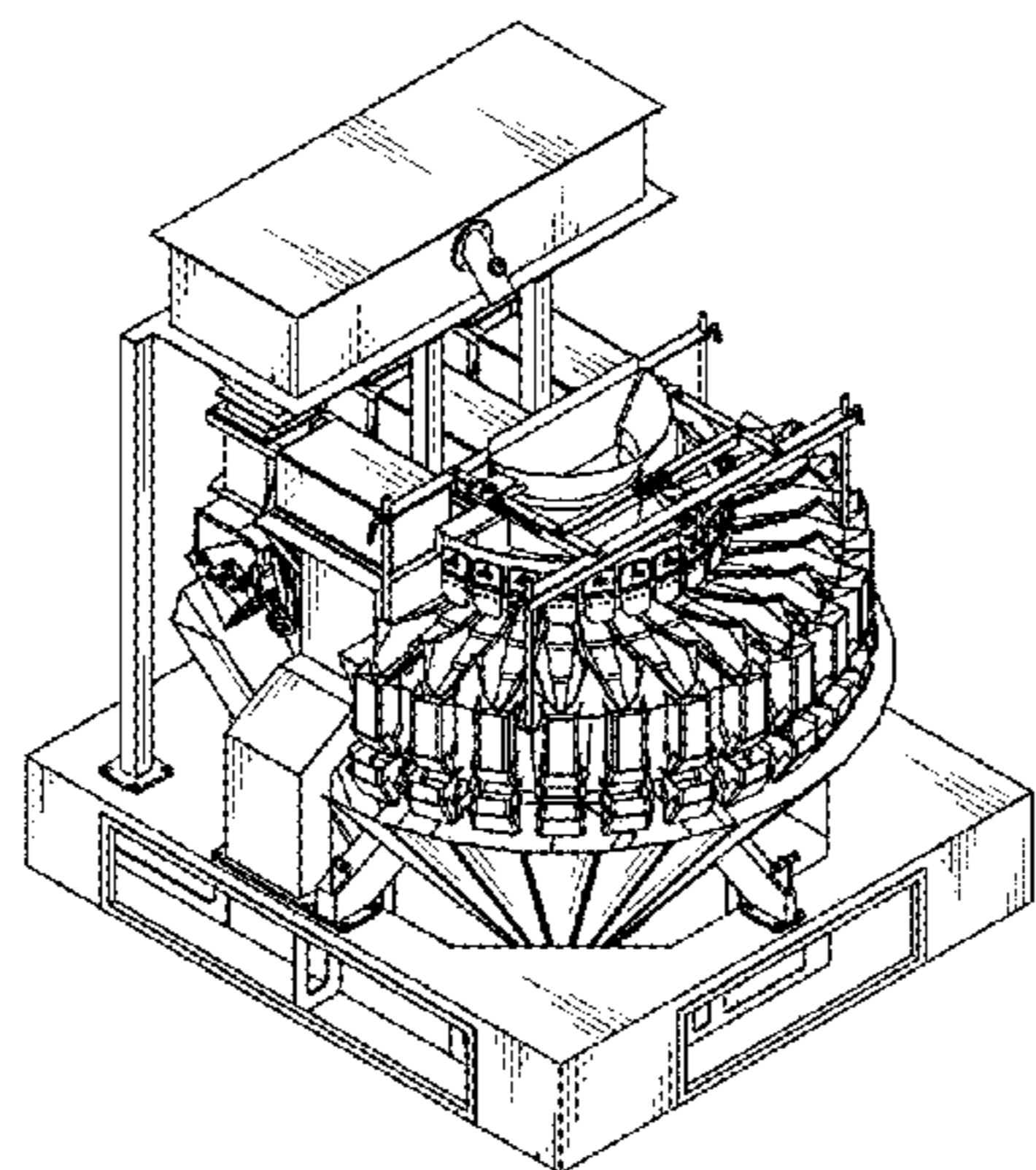
batch of weighed objects discharged through from the sec-

ond weighing unit; and,

FIG. 10 is a bottom-rear-left perspective view of the weigh-

ing device of FIG. 1.

1 Claim, 5 Drawing Sheets



(58) **Field of Classification Search**

CPC ... B65G 11/023; B65G 11/026; B65G 11/203;
B65G 11/206; G01G 19/387; G01G
19/393

See application file for complete search history.

(56) **References Cited**

U.S. PATENT DOCUMENTS

9,897,337 B2 * 2/2018 Kikuchi G01G 19/393
10,094,700 B2 * 10/2018 Ikeda B65G 27/08

* cited by examiner

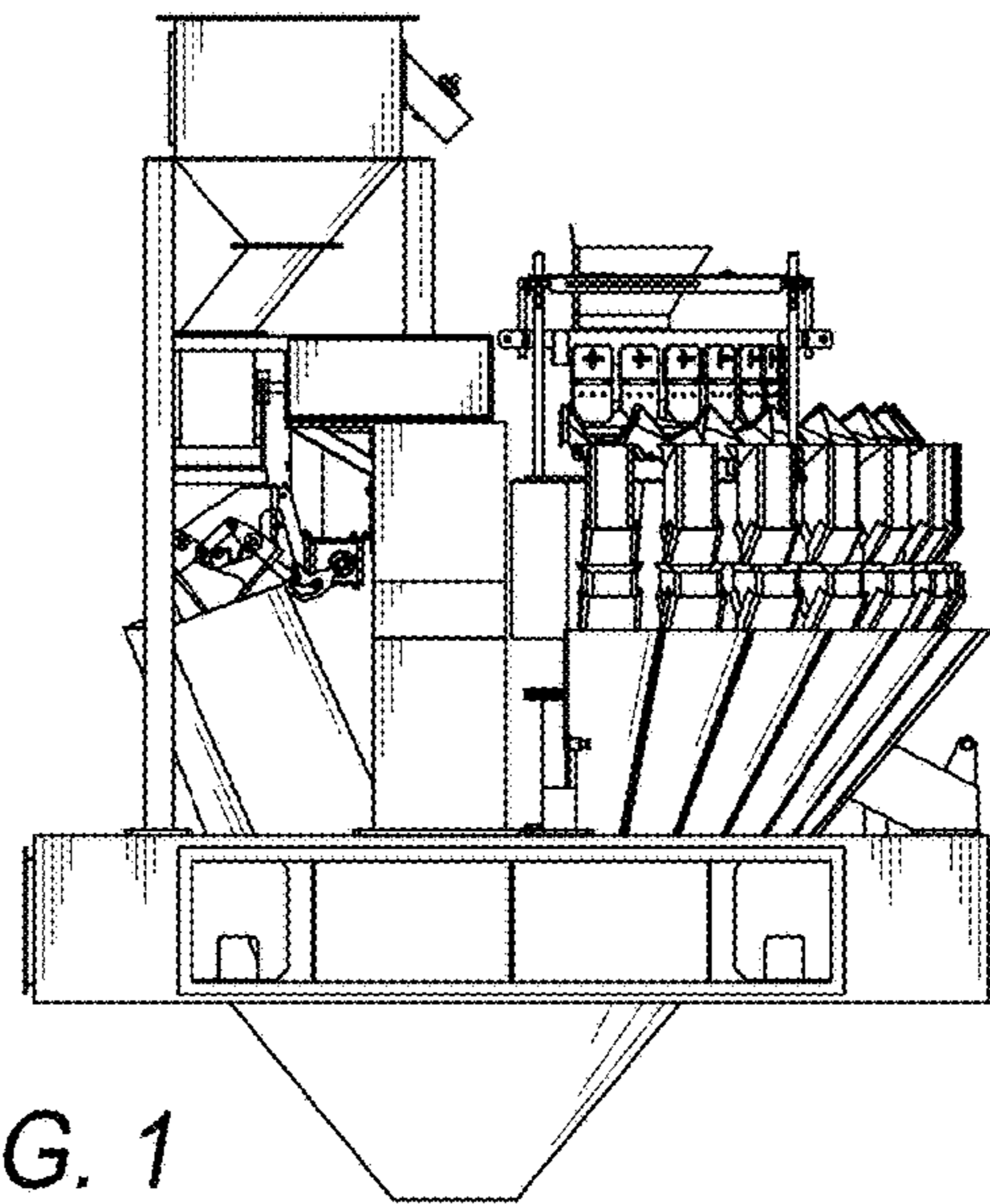


FIG. 1

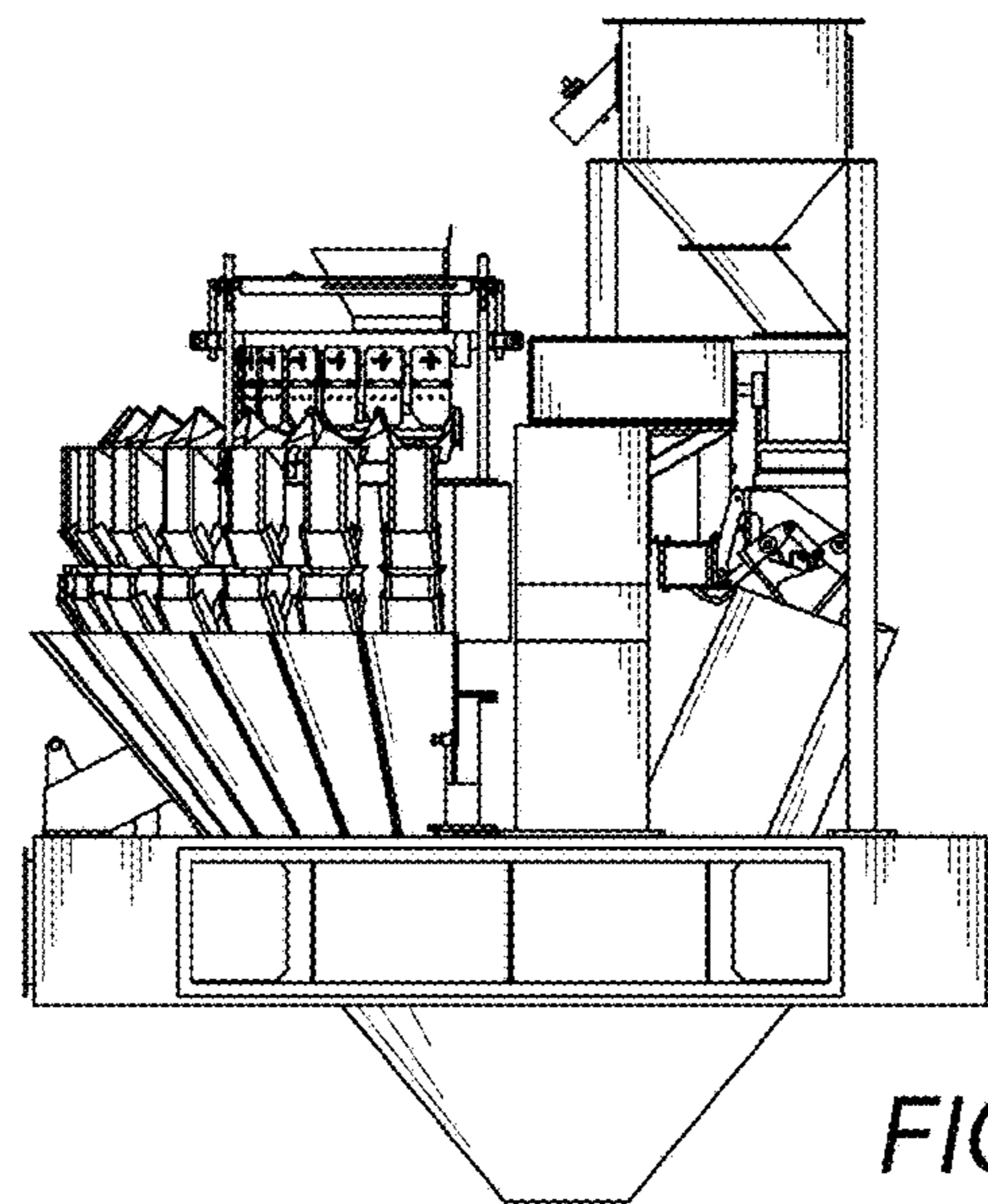


FIG. 2

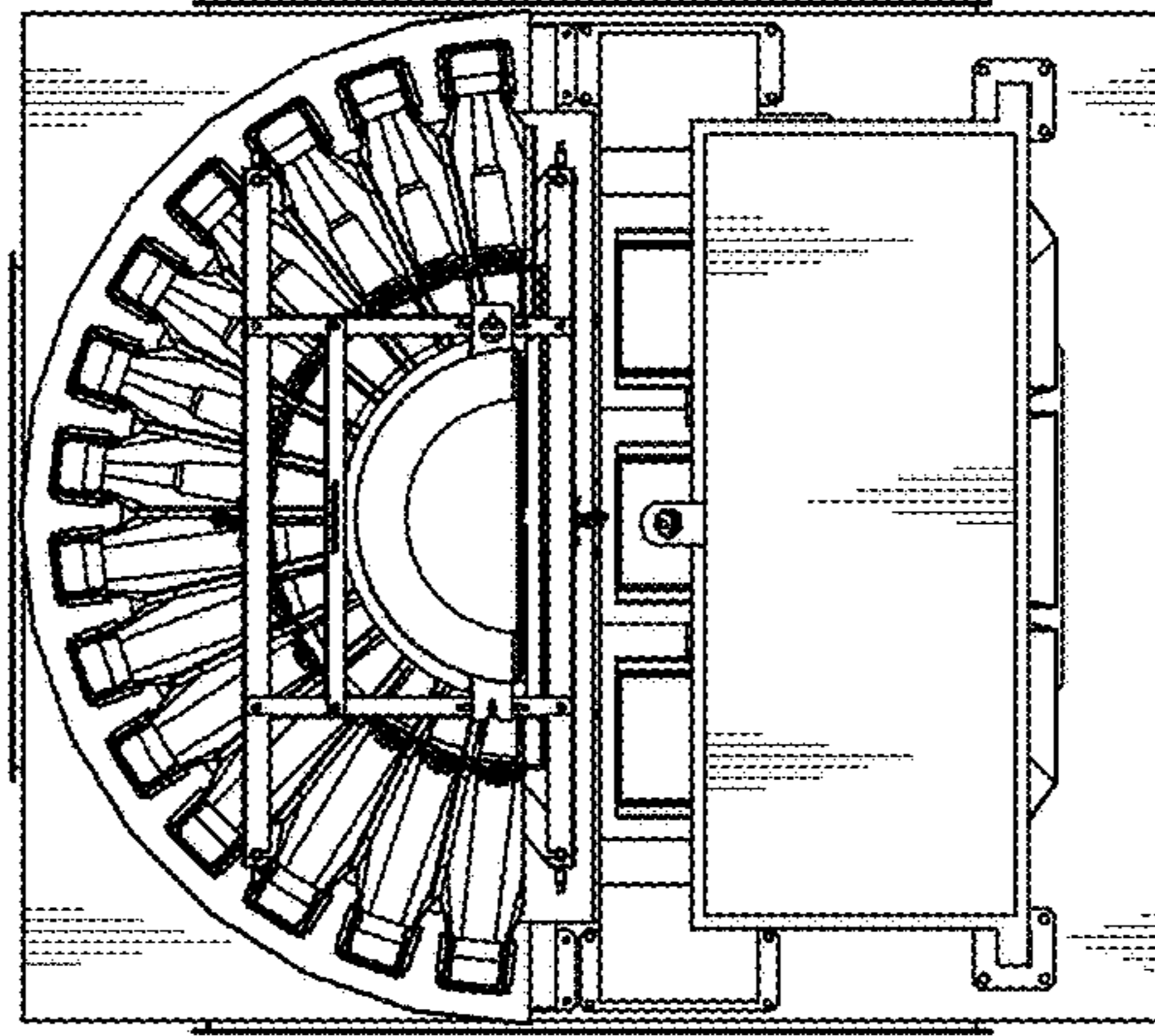


FIG. 3

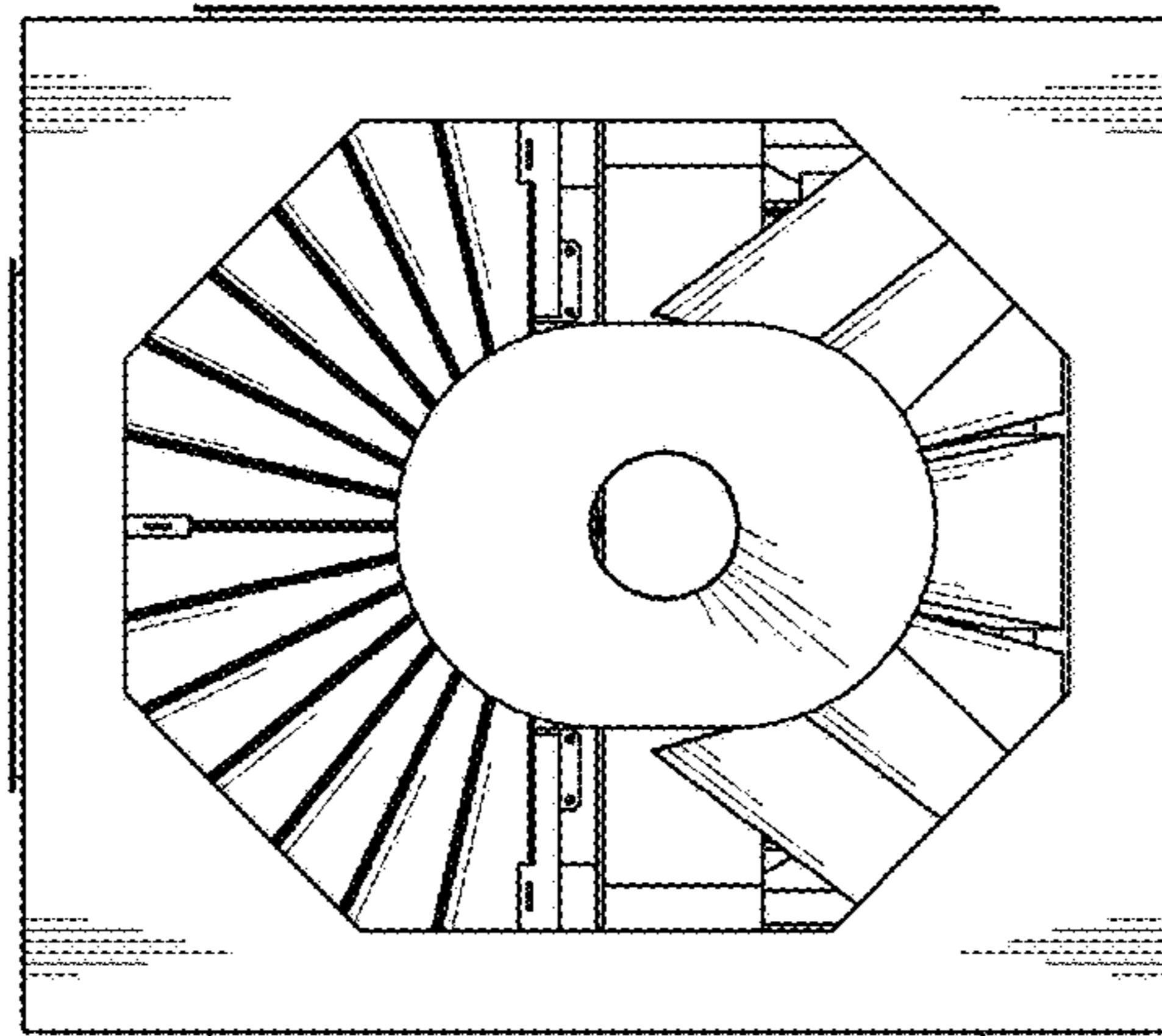
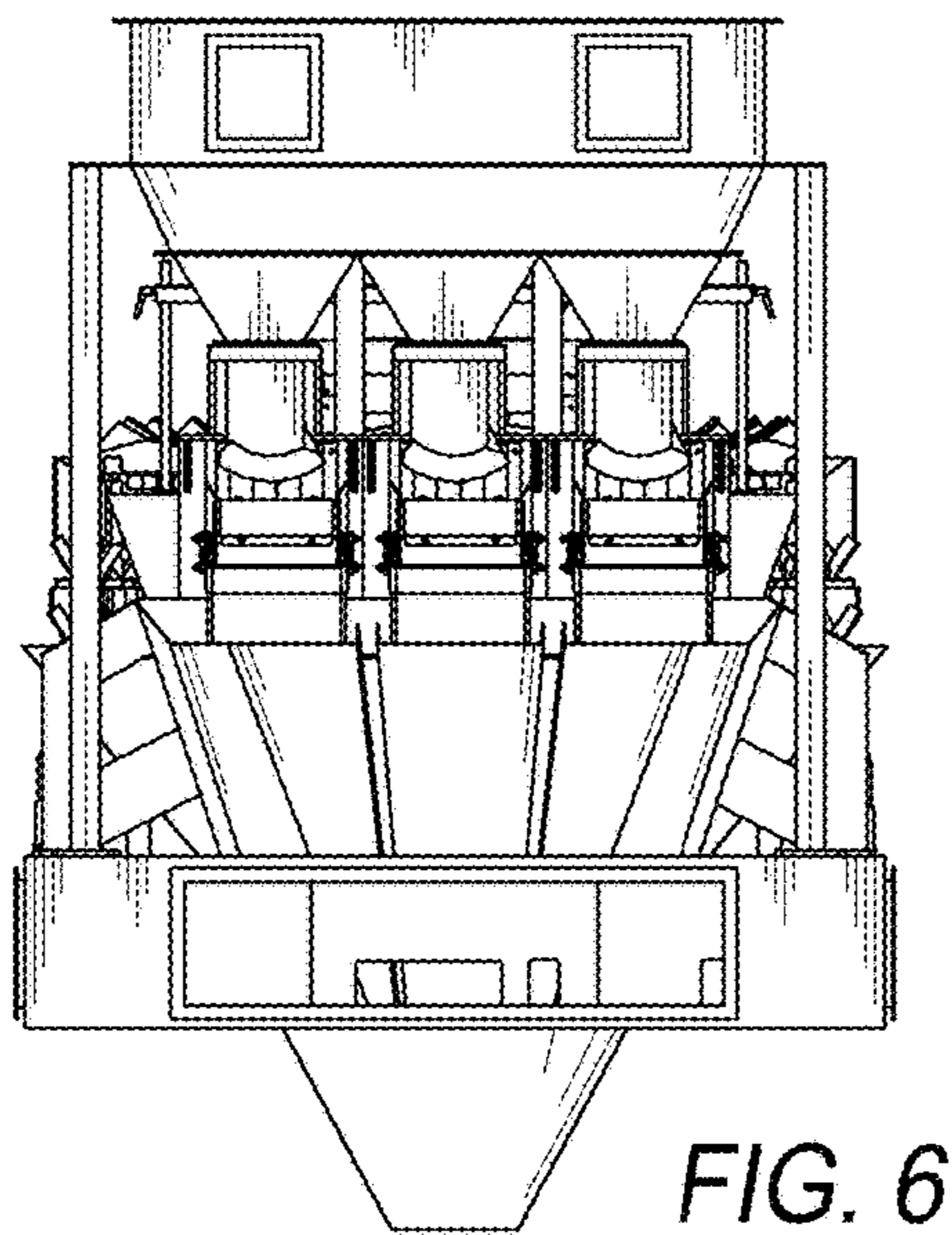
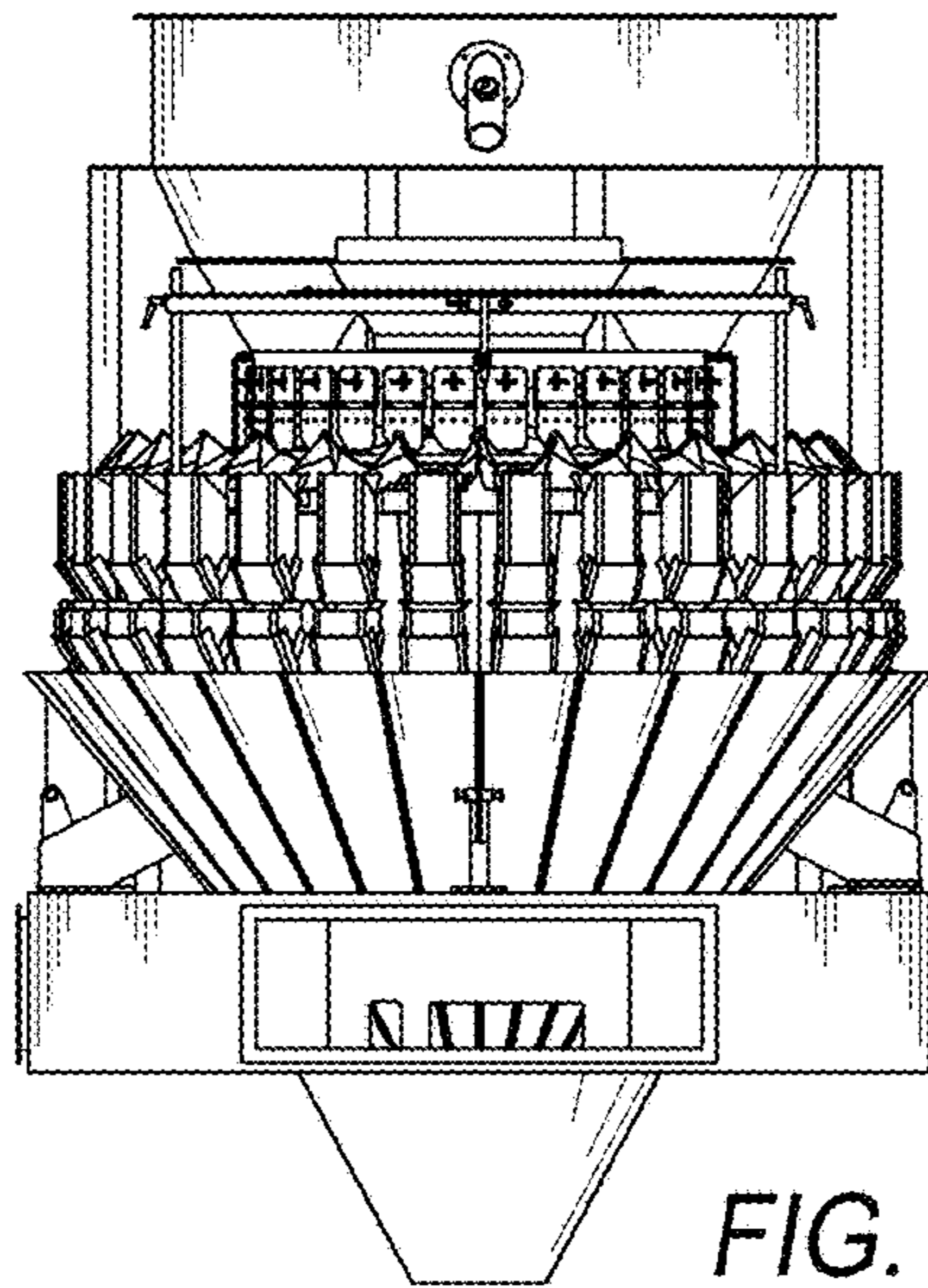


FIG. 4



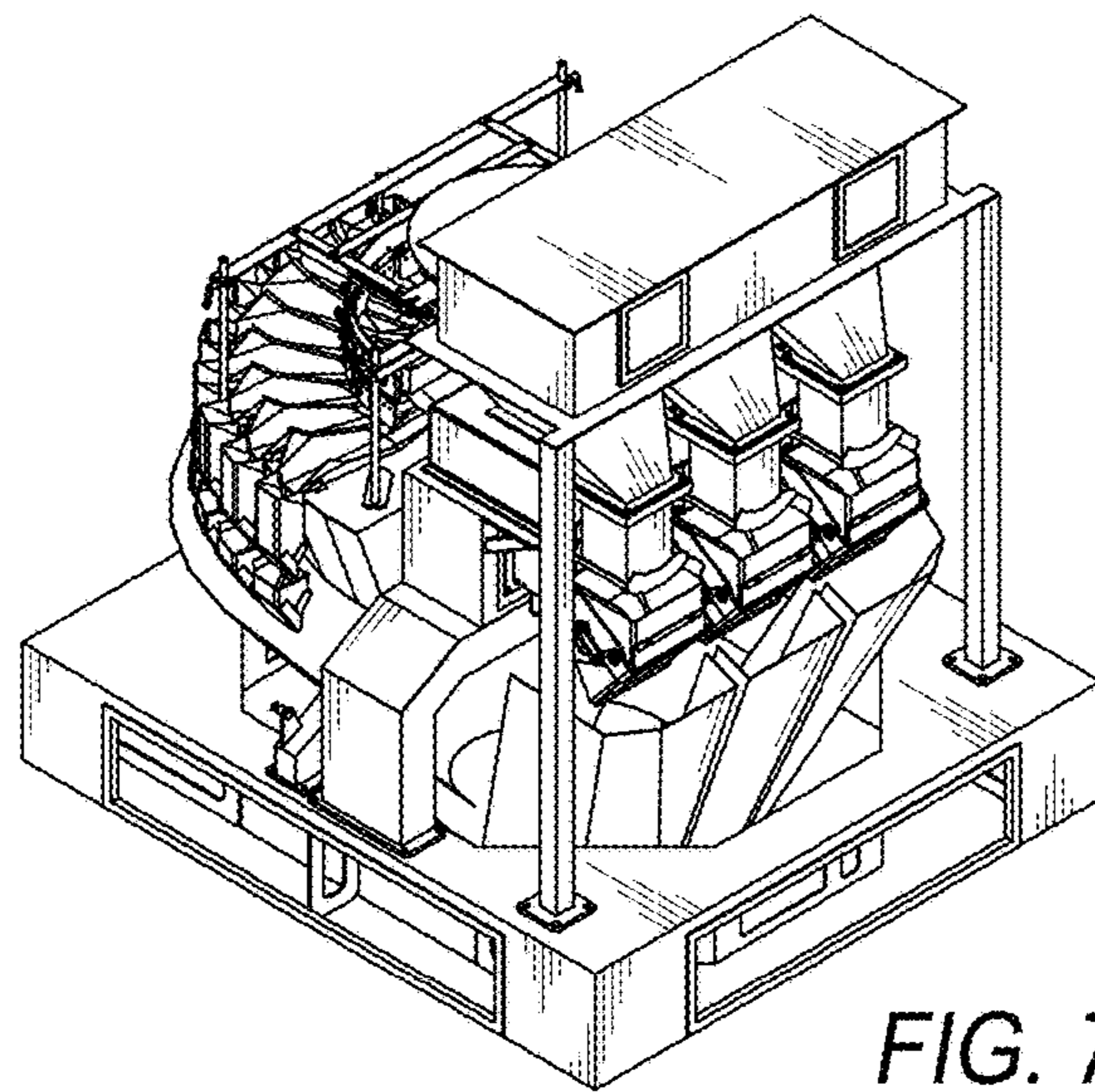


FIG. 7

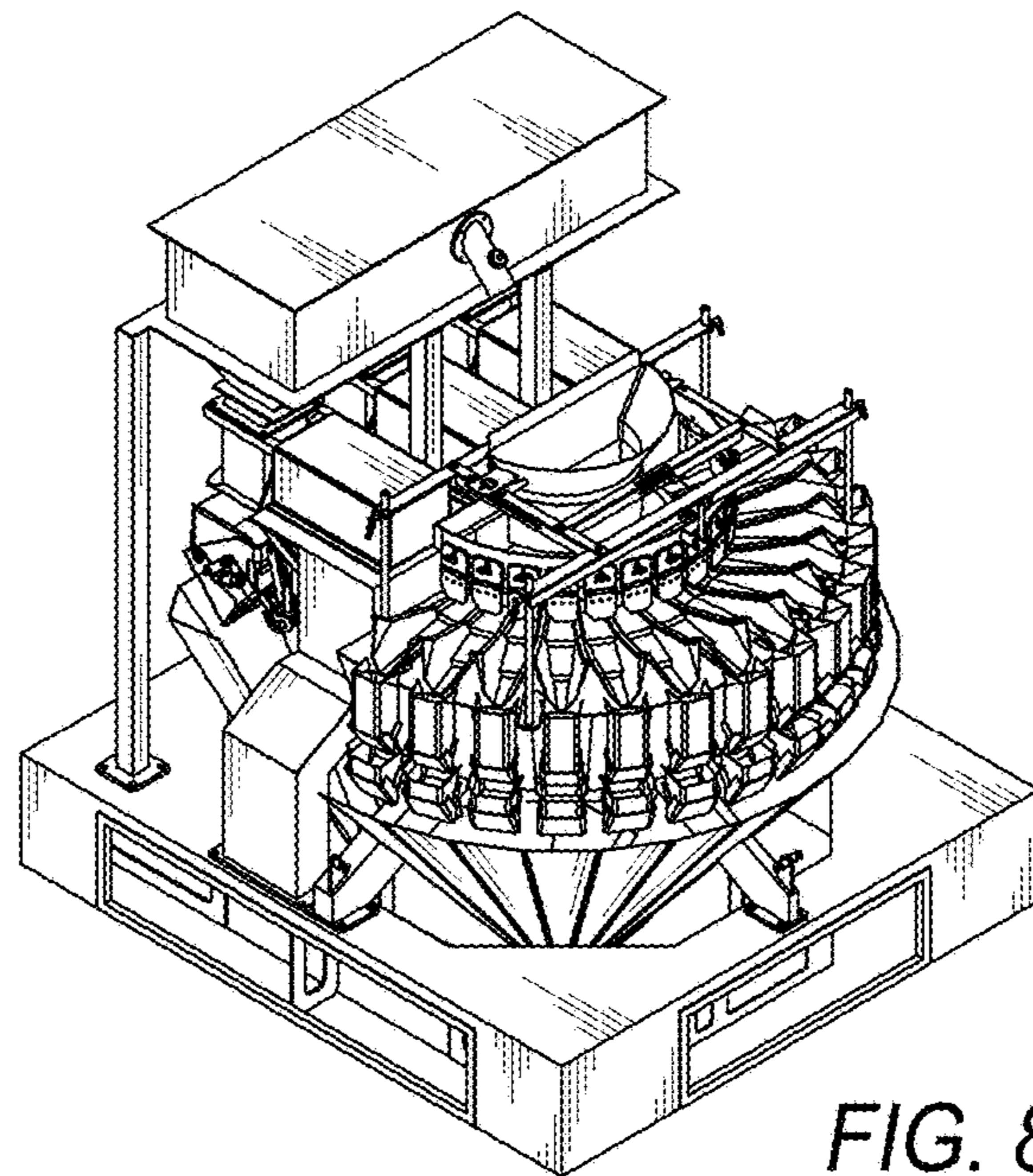


FIG. 8

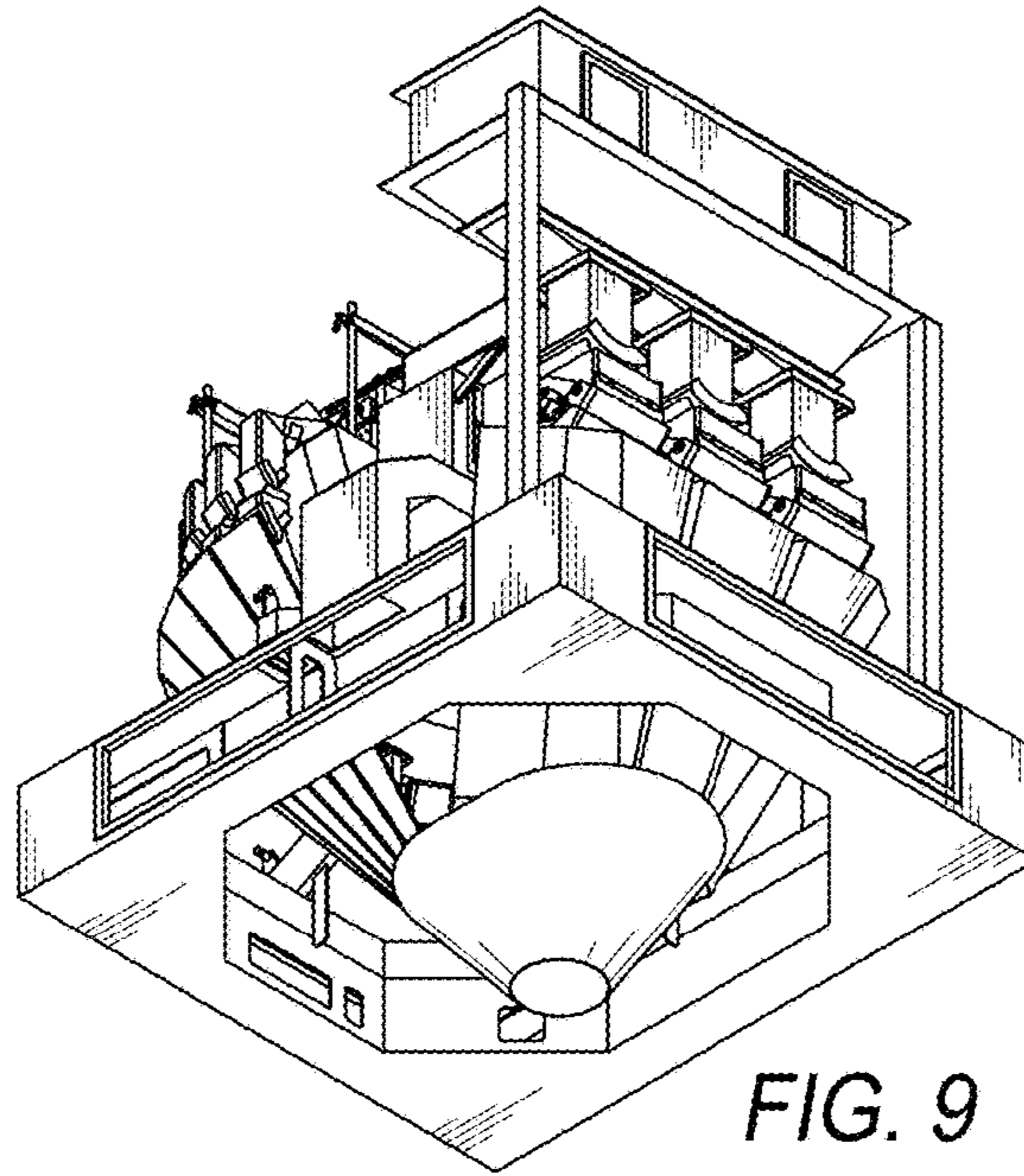


FIG. 9

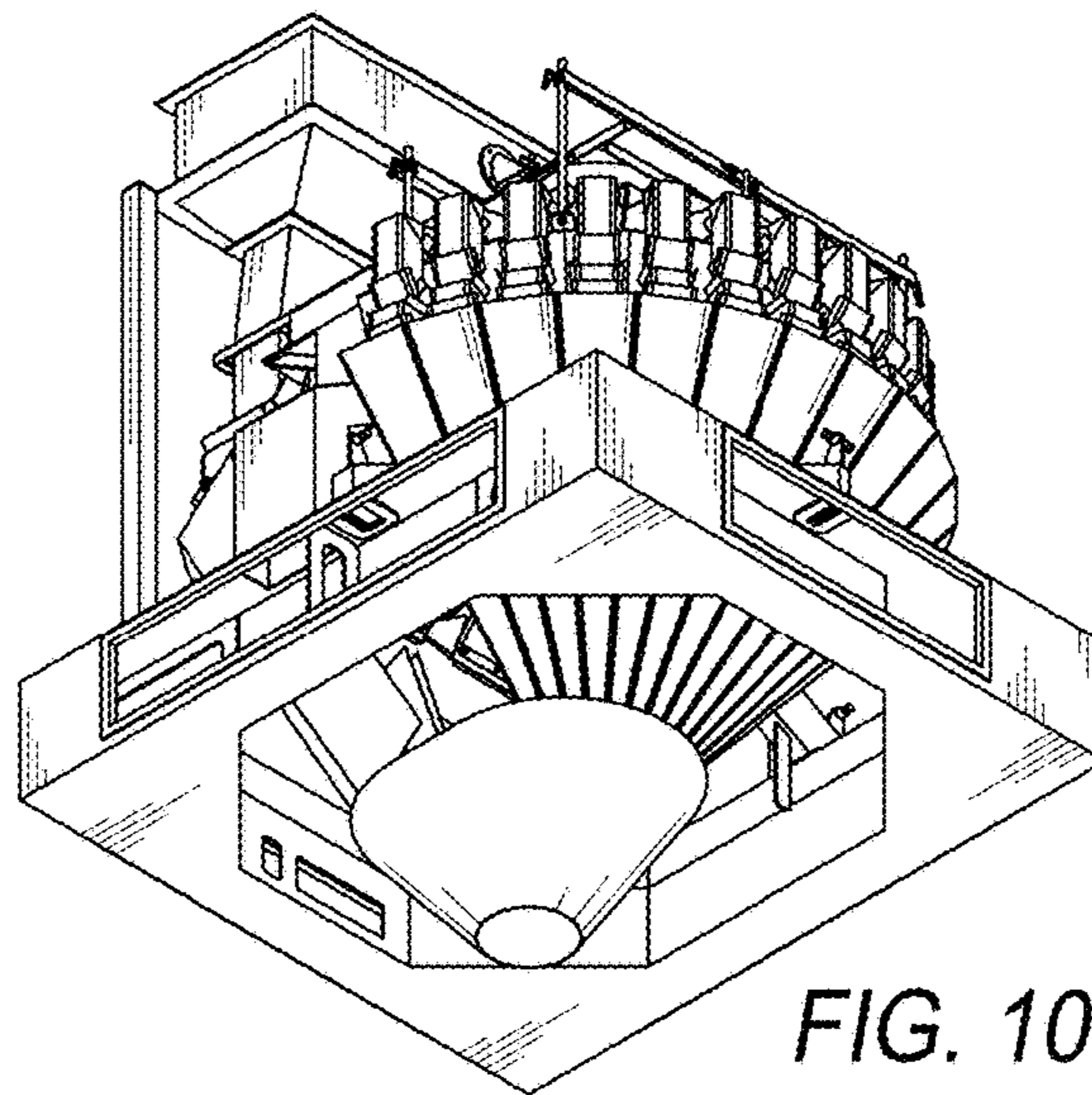


FIG. 10