



US00D847677S

(12) **United States Design Patent** (10) **Patent No.:** **US D847,677 S**
Lu (45) **Date of Patent:** **** May 7, 2019**

(54) **TIRE PRESSURE MONITOR**

(56) **References Cited**

(71) Applicant: **AUTEL INTELLIGENT TECHNOLOGY CORP., LTD.**,
Shenzhen, Guangdong (CN)

(72) Inventor: **Boming Lu**, Guangdong (CN)

(73) Assignee: **AUTEL INTELLIGENT TECHNOLOGY CORP., LTD.**,
Shenzhen, Guangdong (CN)

(**) Term: **15 Years**

(21) Appl. No.: **29/625,292**

(22) Filed: **Nov. 8, 2017**

(30) **Foreign Application Priority Data**

May 10, 2017 (CN) 2017 3 0169965

(51) **LOC (11) Cl.** **10-04**

(52) **U.S. Cl.**
USPC **D10/86**

(58) **Field of Classification Search**
USPC D10/86
CPC . B60C 23/0408; B60C 23/0494; G01L 7/043;
G01L 7/00-7/24; G01L 13/00-13/06;
G01L 15/00; G01L 17/00-17/005; G01L
19/00-19/16; G01L 23/00-23/32; G01L
27/00-23/02; G05D 16/00-16/2093;
G05D 7/00-7/0694; G05D 11/00-11/16;
G05D 13/00-13/66; G05D 23/00-23/32

See application file for complete search history.

U.S. PATENT DOCUMENTS

8,047,068	B2 *	11/2011	Hamm	B60C 23/0408	73/146.5
D653,567	S *	2/2012	Yamada	D10/86	
D653,568	S *	2/2012	Yamada	D10/86	
D653,569	S *	2/2012	Yamada	D10/86	
D653,570	S *	2/2012	Yamada	D10/86	
D655,635	S *	3/2012	Yamada	D10/86	
9,417,158	B2 *	8/2016	Kempf	B60C 23/0494	
9,475,350	B2 *	10/2016	Lo	B60C 23/0494	
9,499,016	B2 *	11/2016	Deniau	B60C 23/0494	
9,656,523	B2 *	5/2017	Gorenzweig	B60C 23/0408	
9,669,669	B2 *	6/2017	Gorenzweig	B60C 23/0494	
D801,836	S *	11/2017	Surendra	D10/86	
9,891,045	B2 *	2/2018	Vassilieff	B60C 23/0481	
10,000,099	B2 *	6/2018	Gorenzweig	B60C 23/0494	

* cited by examiner

Primary Examiner — Antoine Duval Davis

(74) *Attorney, Agent, or Firm* — Ladas & Parry LLP

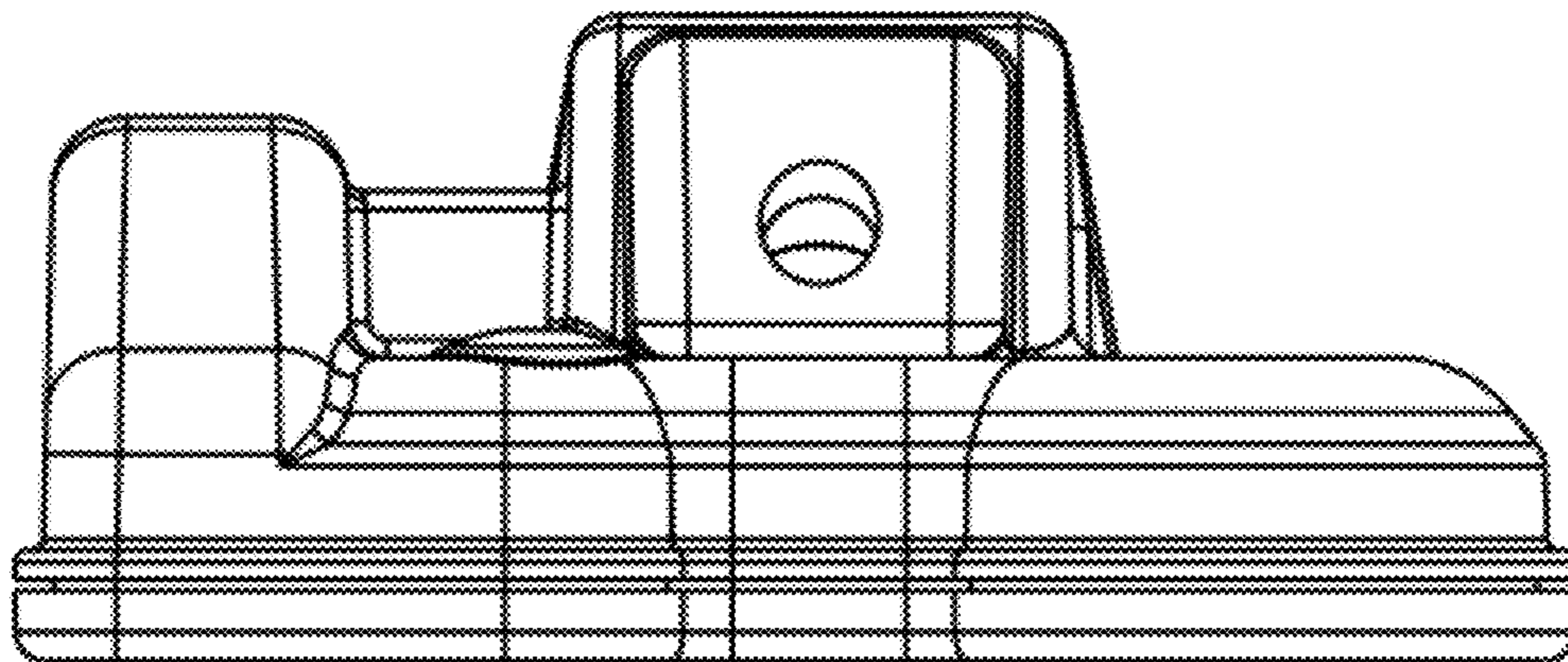
(57) **CLAIM**

What is claimed is the ornamental design for a tire pressure monitor, as shown and described.

DESCRIPTION

FIG. 1 is a front elevational view of a tire pressure monitor showing our new design;
FIG. 2 is a back elevational view thereof;
FIG. 3 is a left side elevational view thereof;
FIG. 4 is a right side elevational view thereof;
FIG. 5 is a top plan view thereof;
FIG. 6 is a bottom plan view thereof; and,
FIG. 7 is a perspective view thereof.

1 Claim, 3 Drawing Sheets



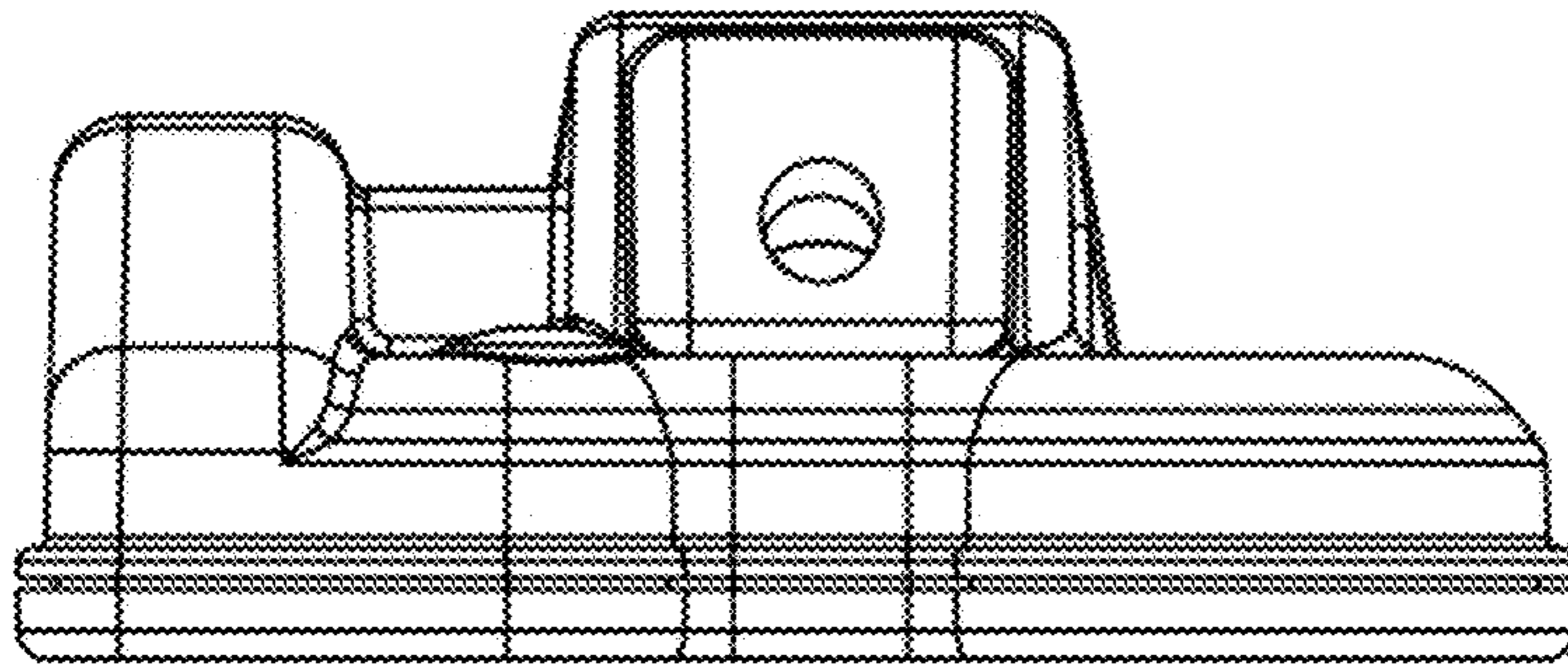


FIG.1

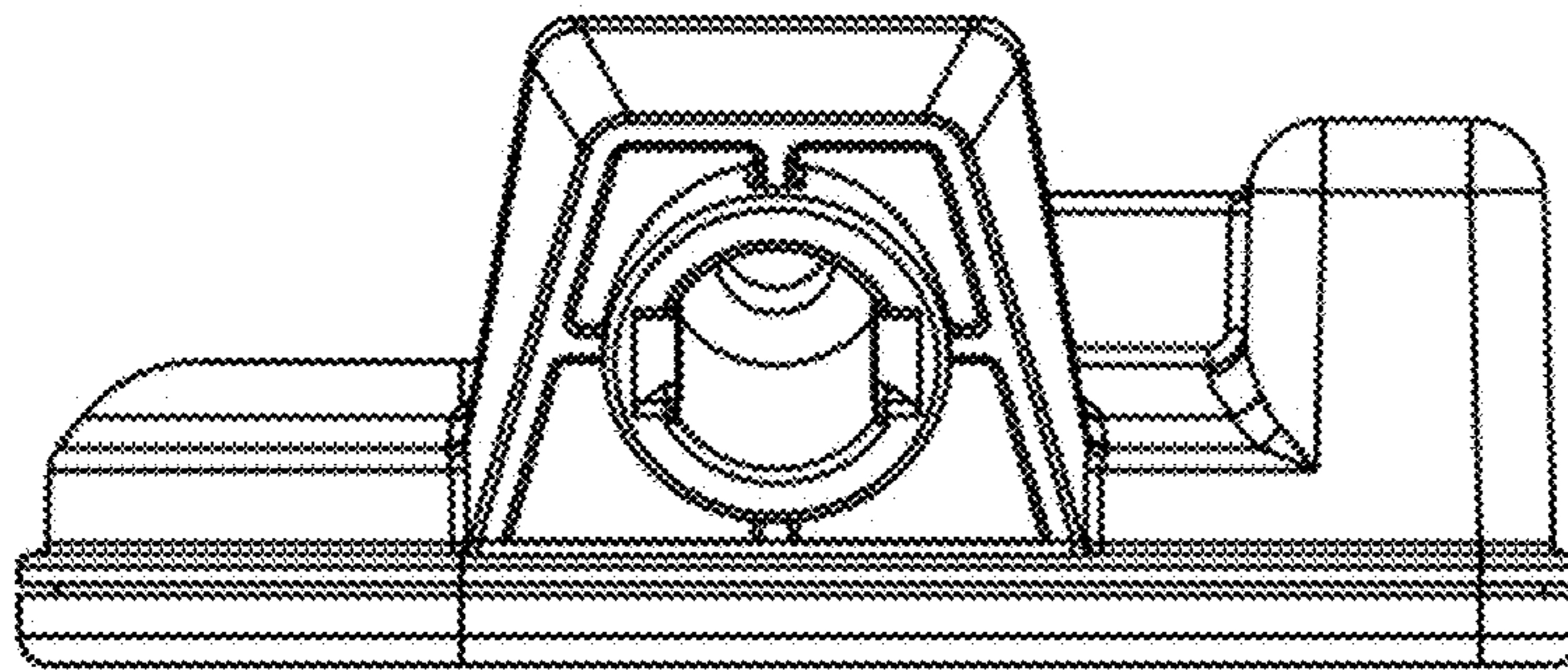


FIG.2

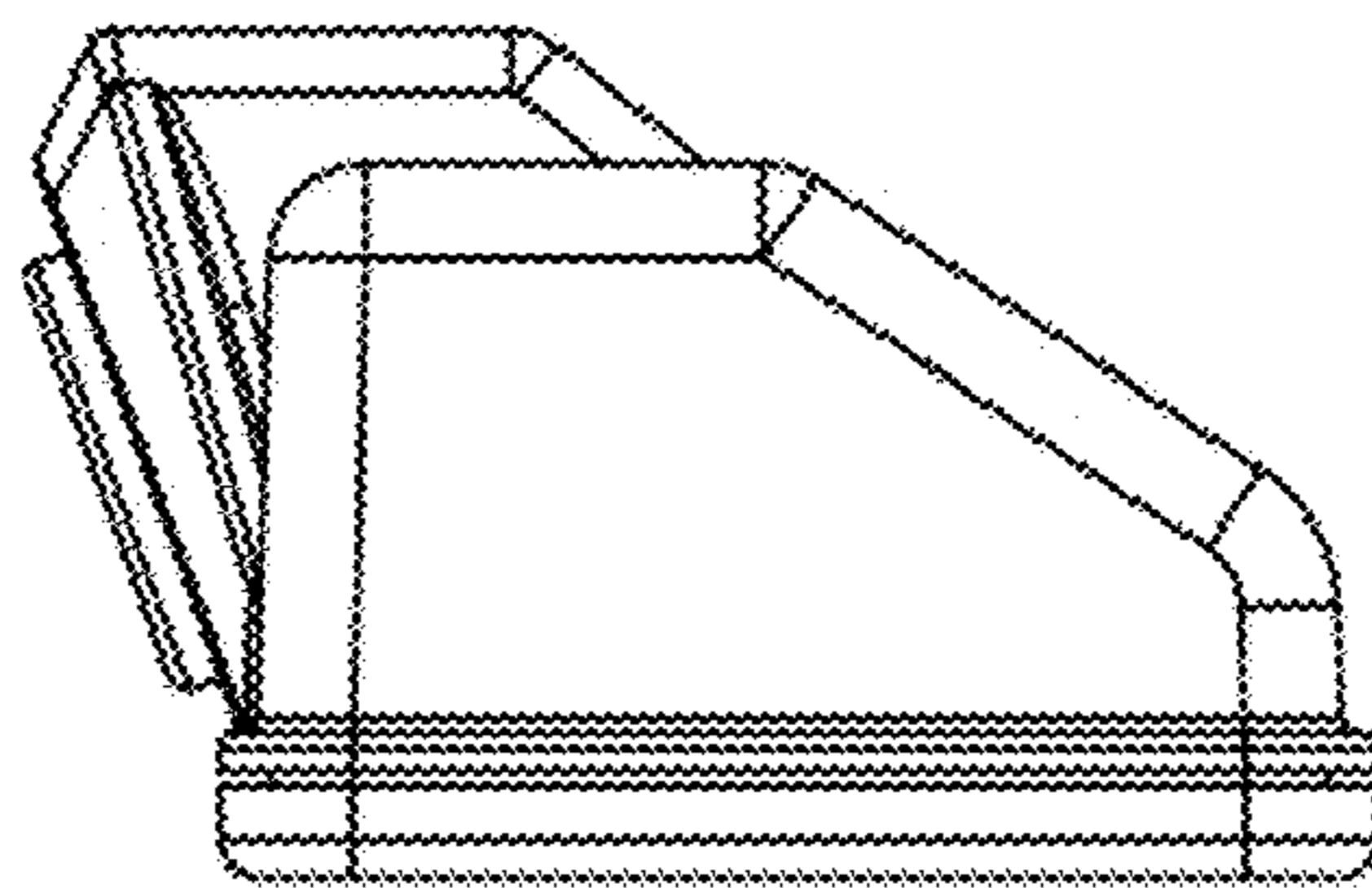


FIG.3

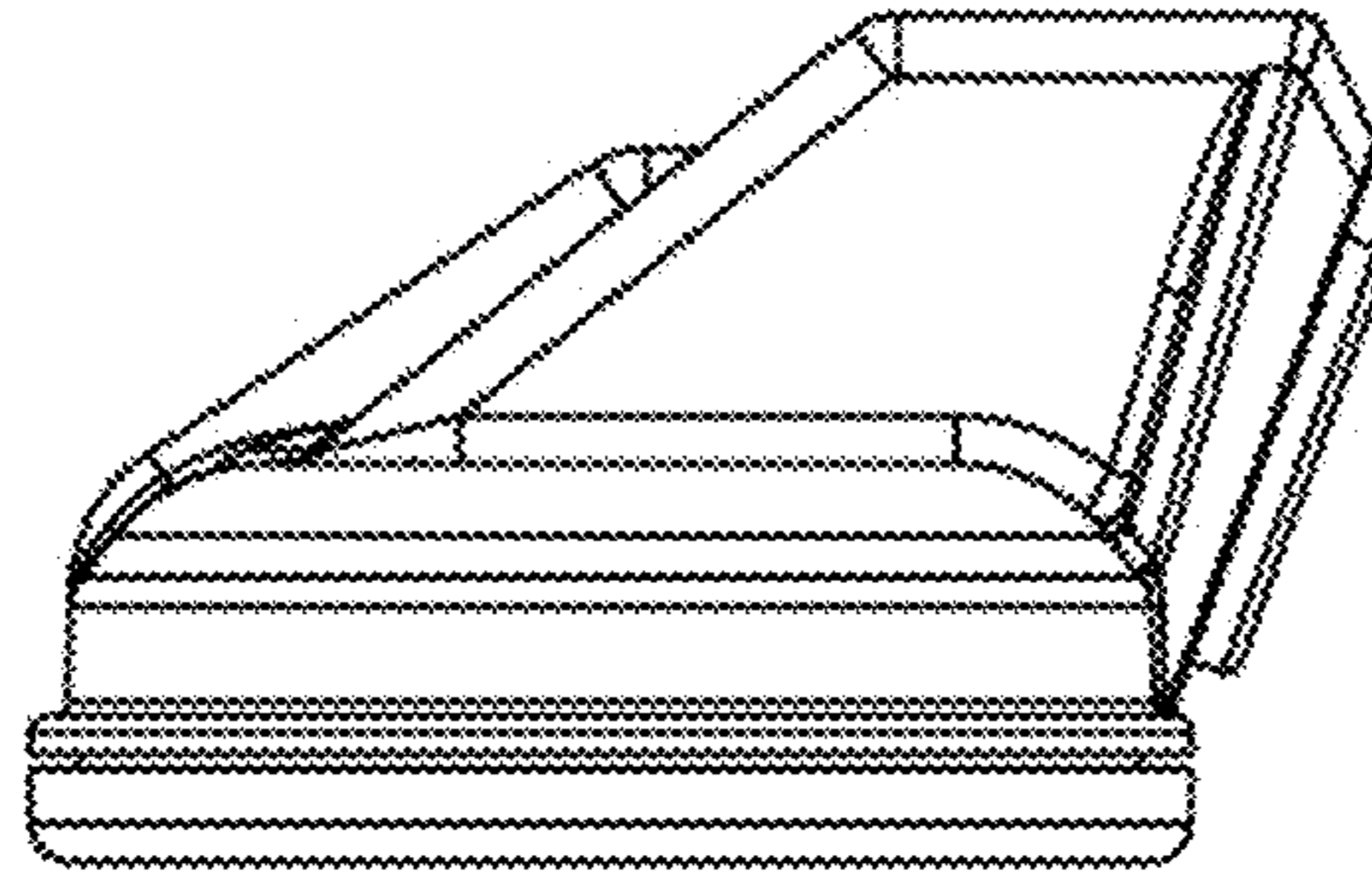


FIG. 4

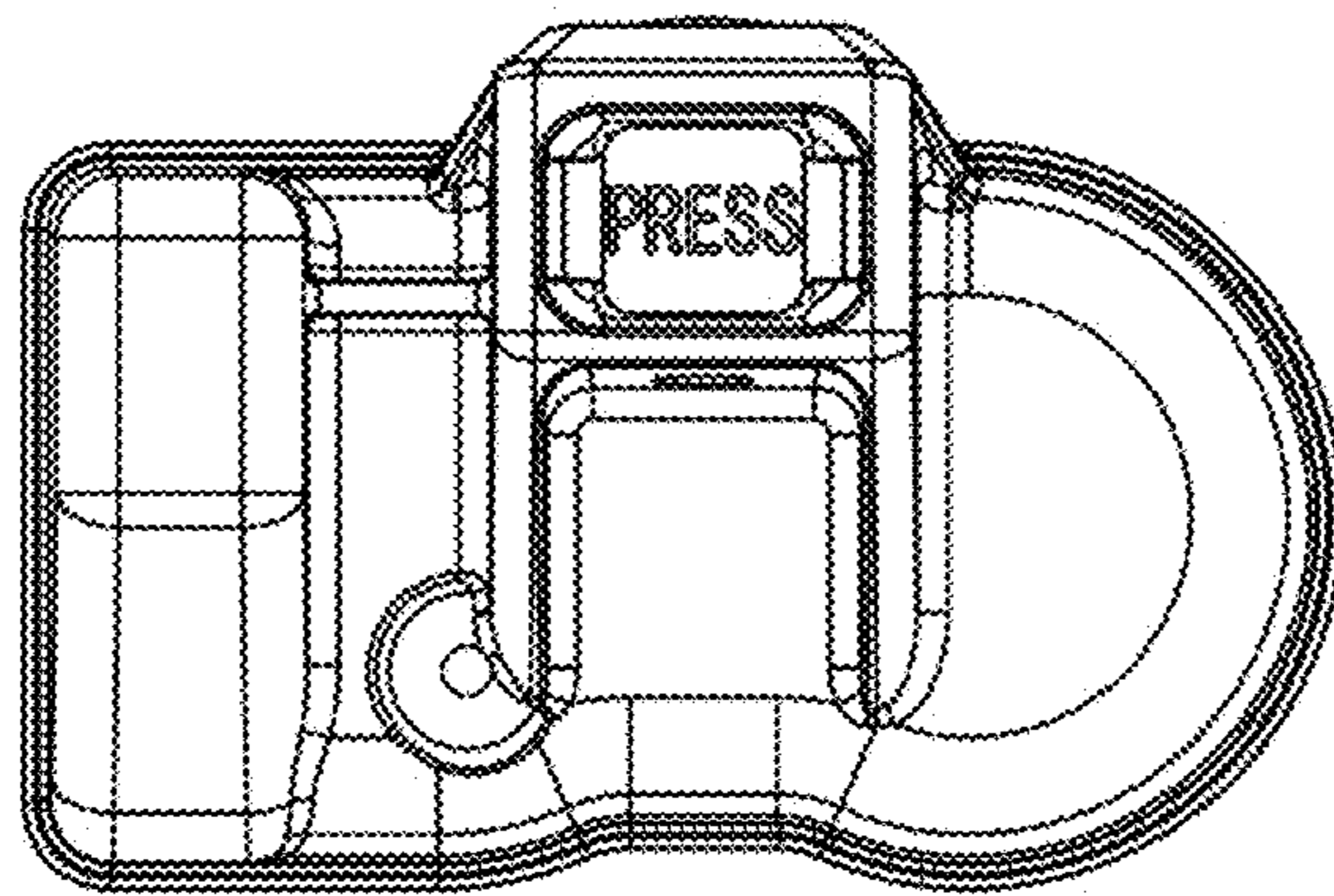


FIG. 5

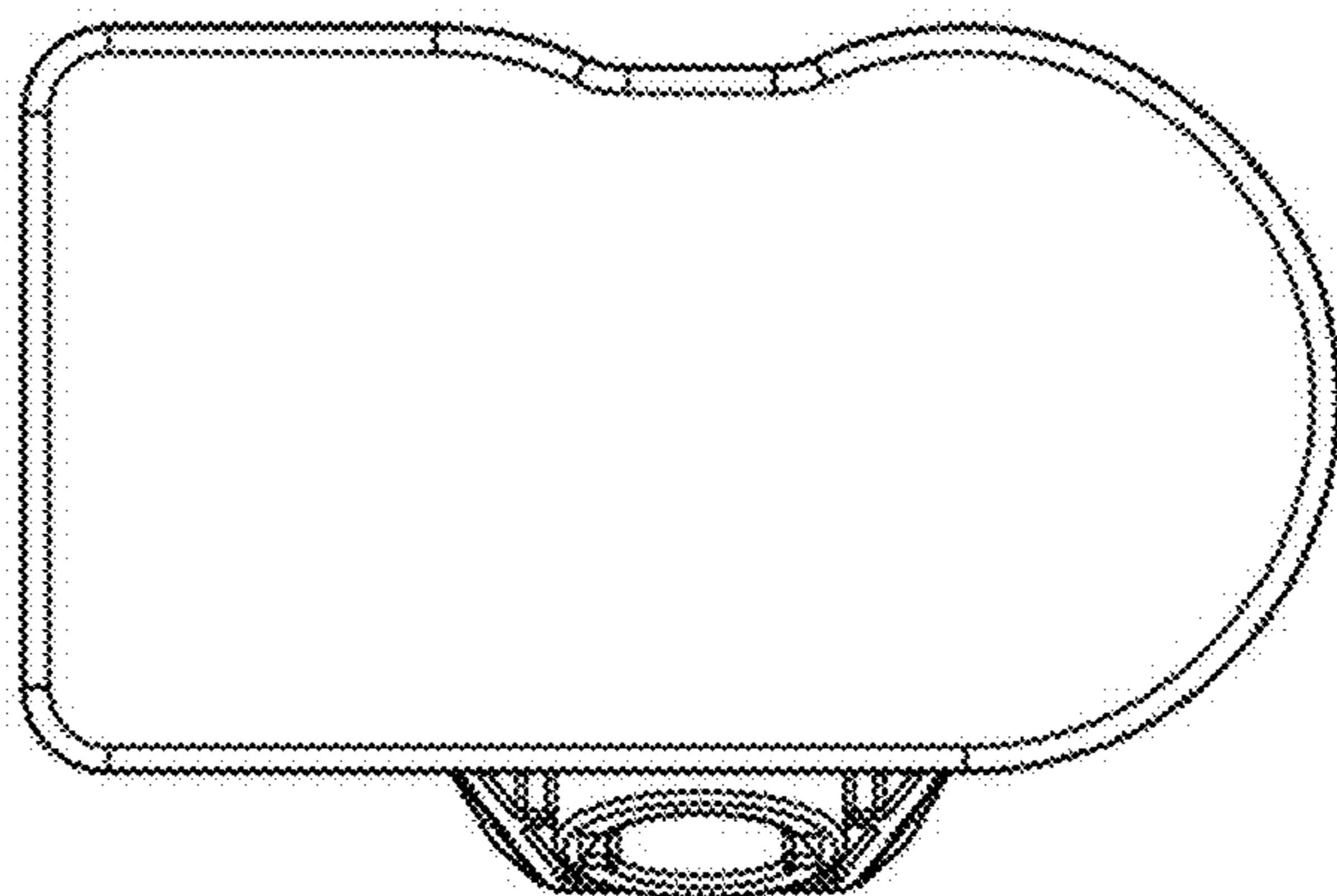


FIG. 6

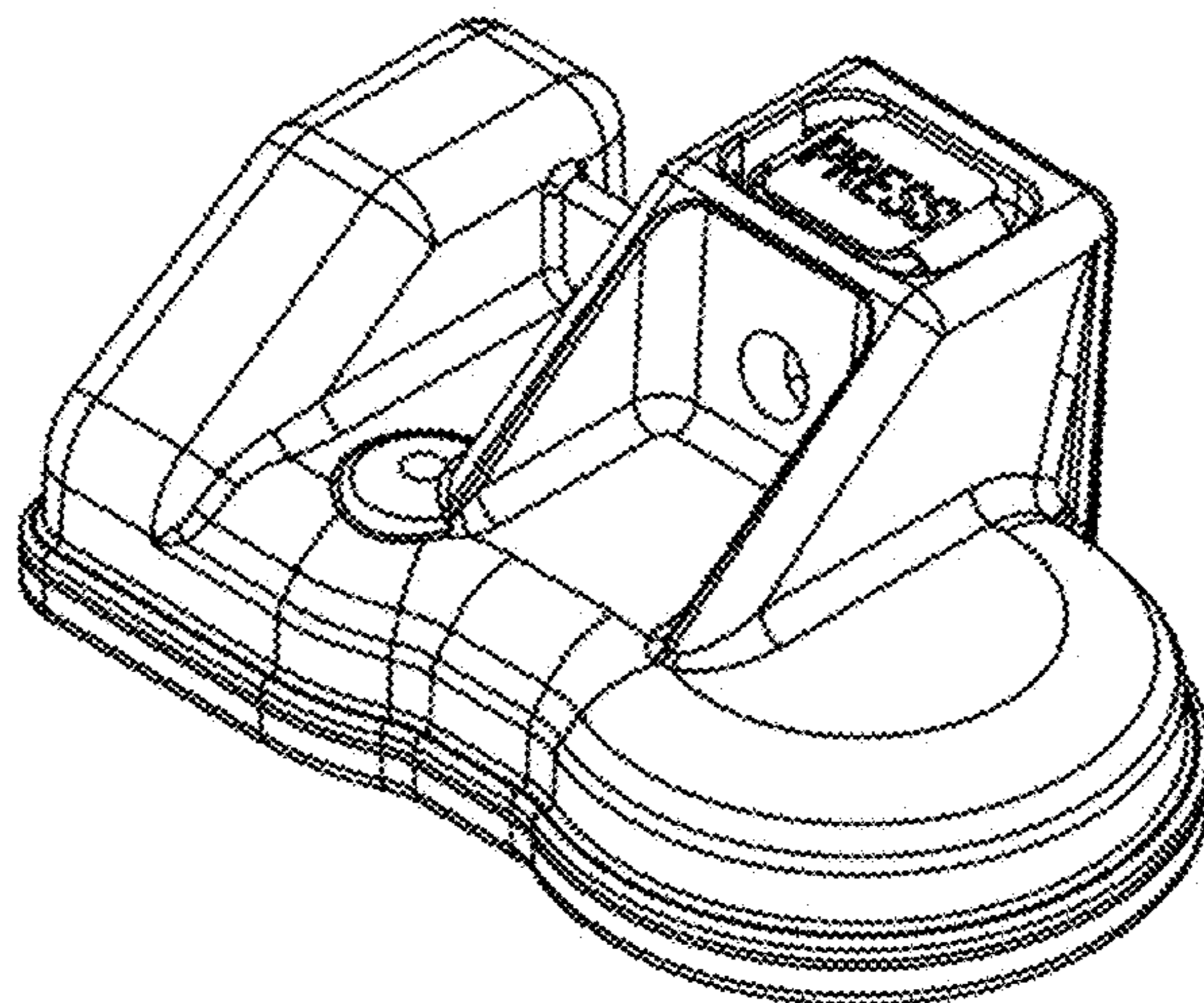


FIG. 7