



US00D847675S

(12) **United States Design Patent** (10) **Patent No.:** **US D847,675 S**
Matsumiya et al. (45) **Date of Patent:** **** May 7, 2019**

(54) **HARDNESS TESTER**

(56) **References Cited**

(71) Applicant: **MITUTOYO CORPORATION**,
Kawasaki, Kangawa (JP)
(72) Inventors: **Sadayuki Matsumiya**, Sagamihara
(JP); **Yoshiro Asano**, Tokyo (JP);
Masaru Kawazoe, Kure (JP);
Fumihiko Koshimizu, Zama (JP);
Shigeru Ohtani, Kawasaki (JP); **Yu**
Sugai, Hadano (JP)
(73) Assignee: **MITUTOYO CORPORATION**,
Kawasaki (JP)

U.S. PATENT DOCUMENTS

4,442,705 A * 4/1984 Lang G01N 3/42
73/83
D283,599 S 4/1986 Biddle, Jr. et al.
D356,515 S 3/1995 Fukumoto et al.
D394,015 S 5/1998 Kellstedt, Jr. et al.
D704,582 S 5/2014 Muraoka et al.
D719,039 S * 12/2014 Chang D10/63
D731,904 S * 6/2015 Stohr D10/63
D783,424 S * 4/2017 Matsumiya D10/63
2014/0182364 A1 * 7/2014 Koshimizu G01N 3/42
73/81
2017/0248415 A1 * 8/2017 Matsumiya G01B 5/012

(**) Term: **15 Years**

OTHER PUBLICATIONS

(21) Appl. No.: **29/633,024**

“Rockwell Hardness Testing Machines, HR-300/400/500 Series,”
Mitutoyo, Bulletin No. 2025(3), Jun. 2017, pp. 1-8.

(22) Filed: **Jan. 11, 2018**

* cited by examiner

(30) **Foreign Application Priority Data**

Jul. 14, 2017 (JP) 2017-015271

(51) **LOC (11) Cl.** **10-04**

(52) **U.S. Cl.**
USPC **D10/83; D10/63**

(58) **Field of Classification Search**
USPC D10/63, 83, 84, 85
CPC G01N 3/40; G01N 3/405; G01N 3/42;
G01N 3/44; G01N 3/46; G01N 3/48;
G01N 3/50; G01N 3/52; G01N 3/54;
G01N 3/00; G01N 3/08; G01N 3/10;
G01N 3/12; G01N 3/14; G01N 3/16;
G01N 3/30; G01N 3/32; G01B 2203/00;
G01B 2203/0001; G01B 2203/0003;
G01B 2203/0005; G01B 2203/001; G01B
2203/0012; G01B 2203/0014; G01B
2203/0016; G01B 2203/0017; G01B
2203/0019; G01B 2203/0076

See application file for complete search history.

(57) **CLAIM**

The ornamental design for a hardness tester, as shown and
described.

DESCRIPTION

FIG. 1 is a front, right-side, top perspective view of the
hardness tester;
FIG. 2 is a front elevational view thereof;
FIG. 3 is a top plan view thereof;
FIG. 4 is a right-side elevational view thereof;
FIG. 5 is a left-side elevational view thereof;

(Continued)

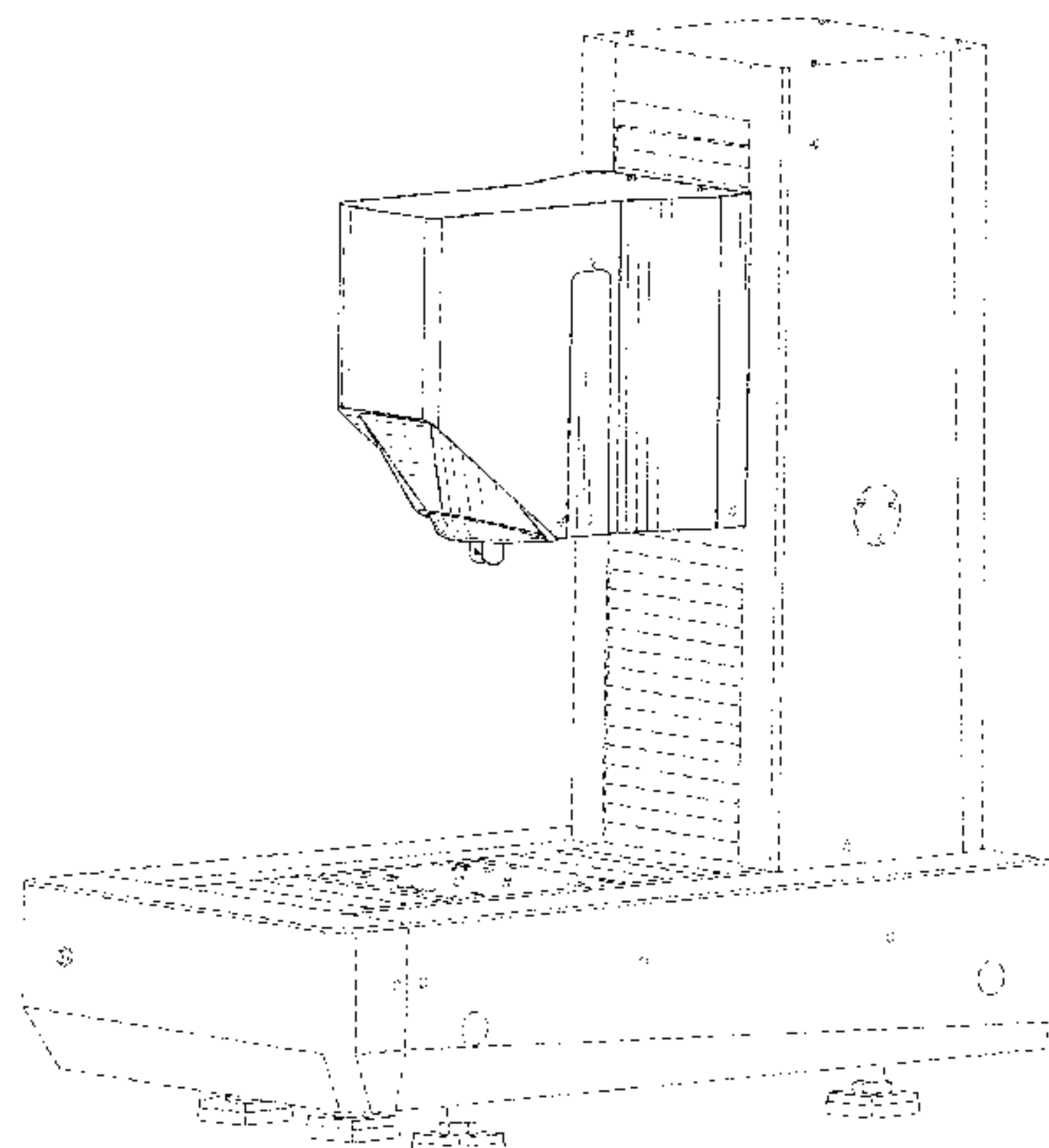


FIG. 6 is a rear elevational view thereof; and,
FIG. 7 is a bottom plan view thereof.
The broken lines depict unclaimed parts of the hardness
tester, and thus form no part of the claimed design.

1 Claim, 7 Drawing Sheets

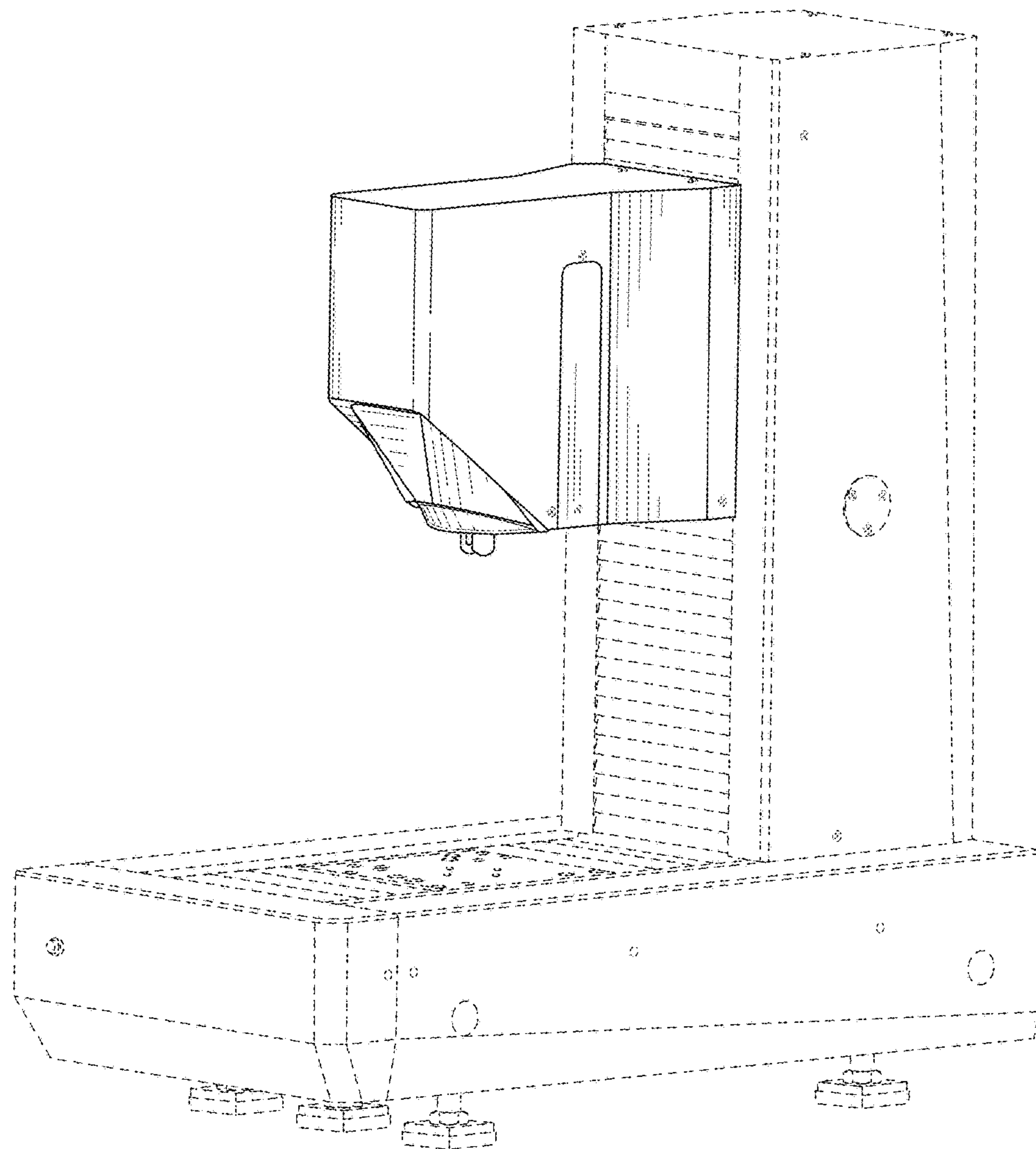


FIG. 1

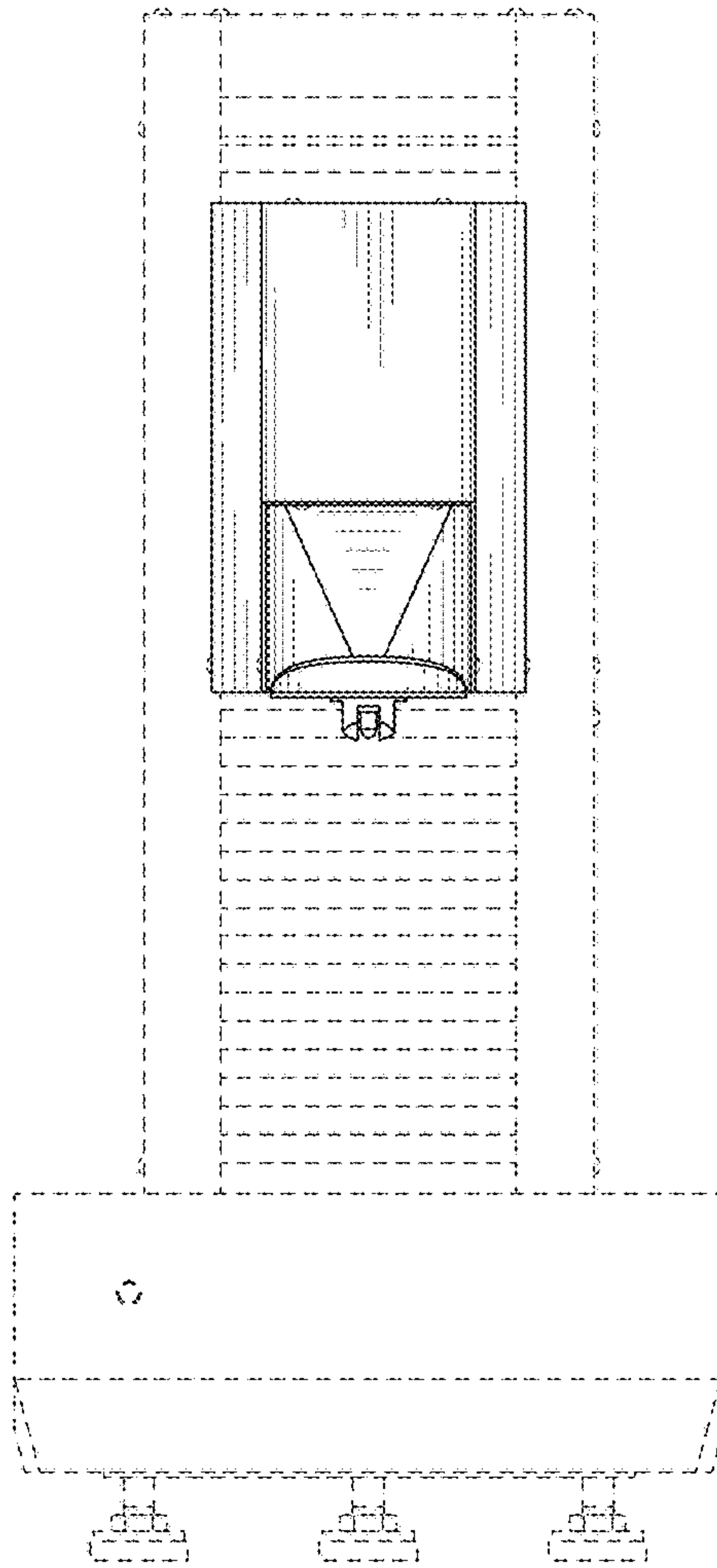


FIG. 2

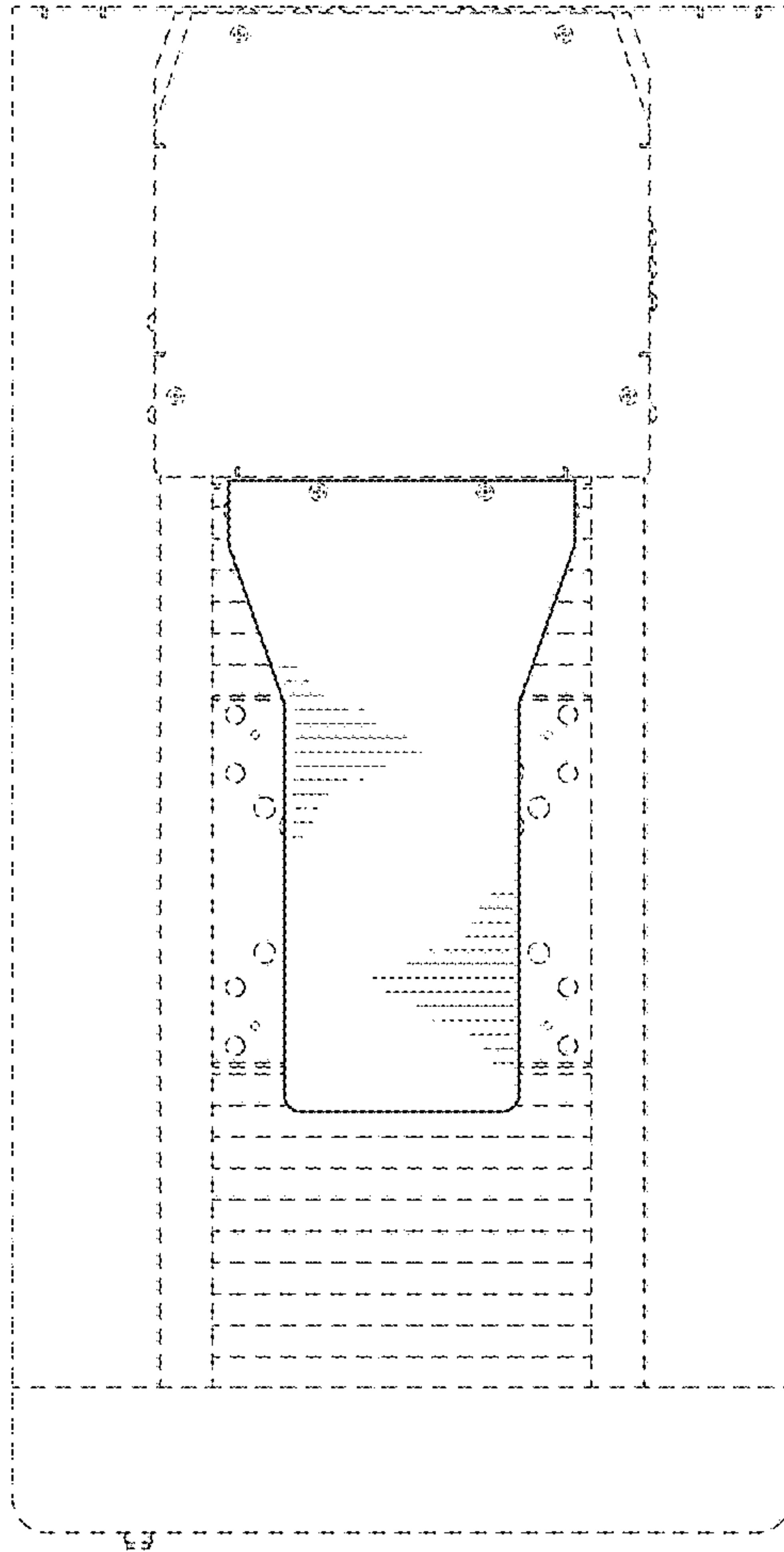


FIG. 3

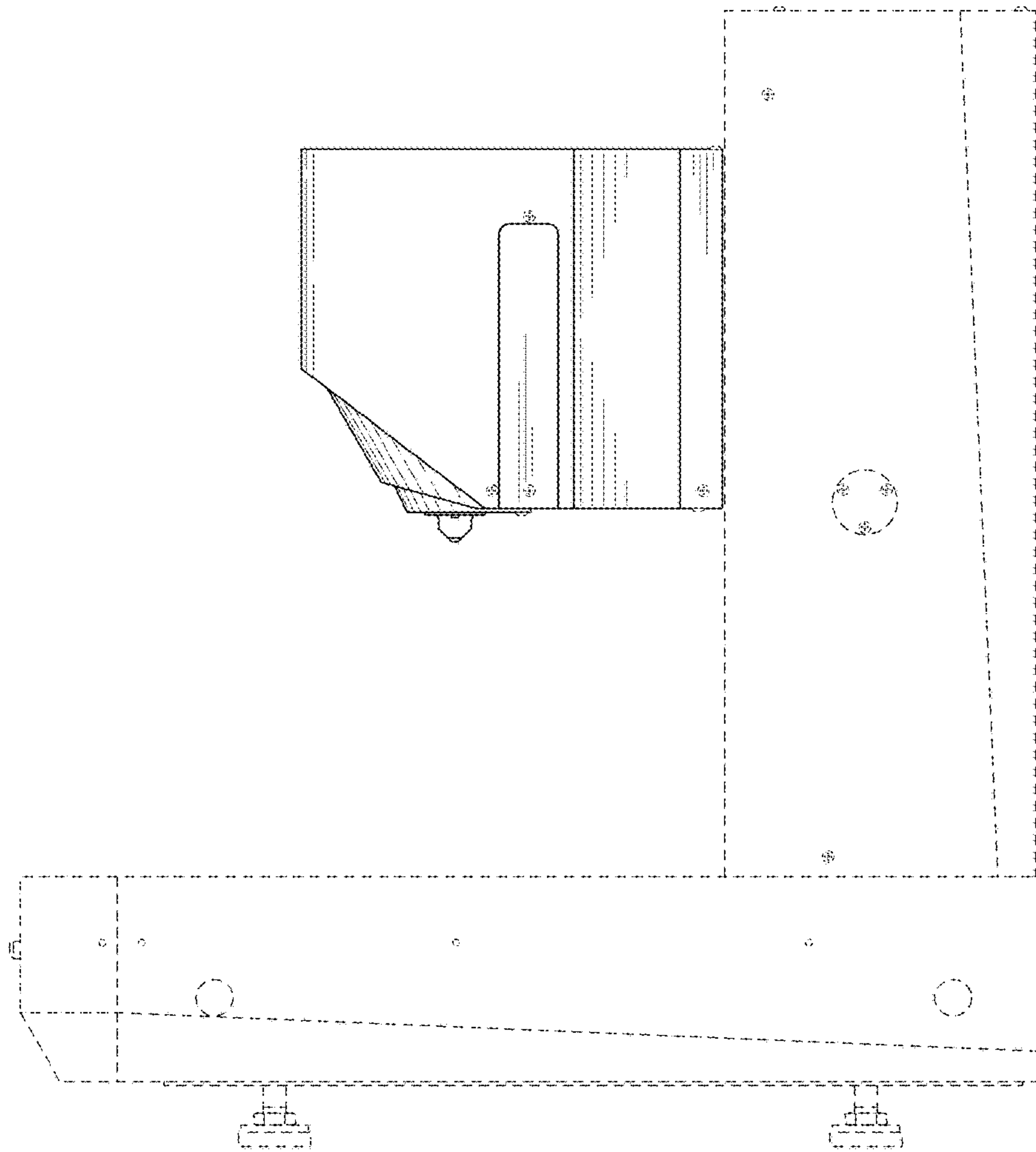


FIG. 4

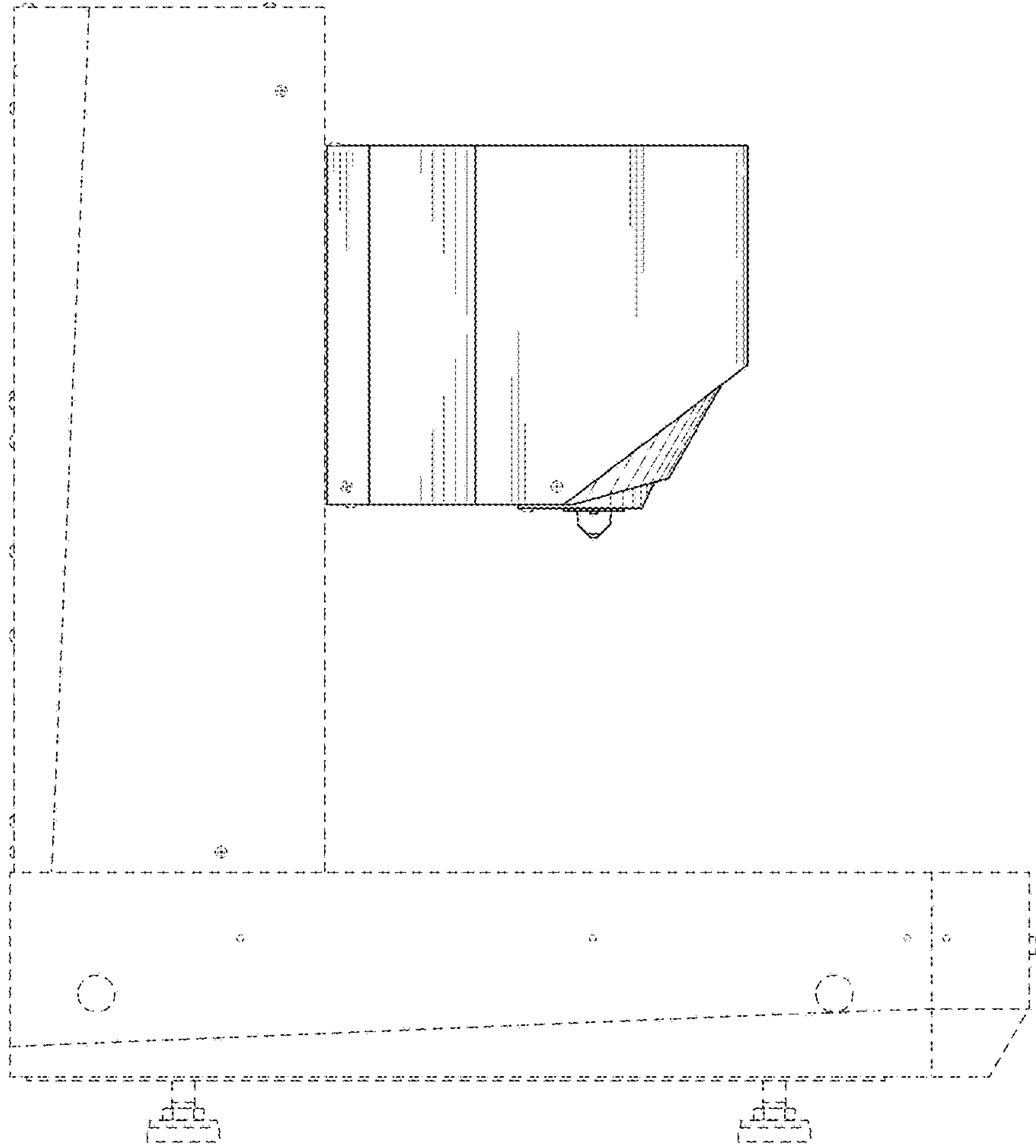


FIG. 5

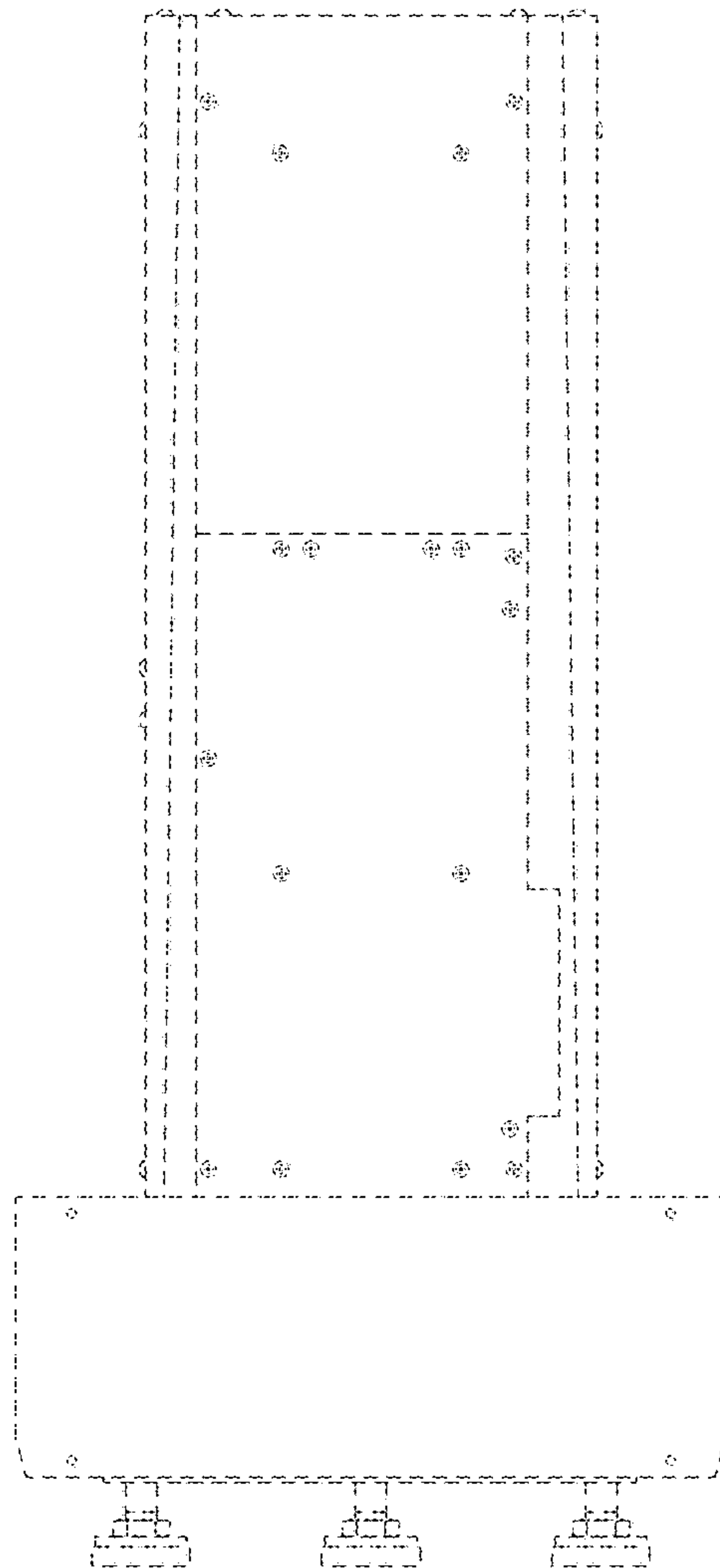


FIG. 6

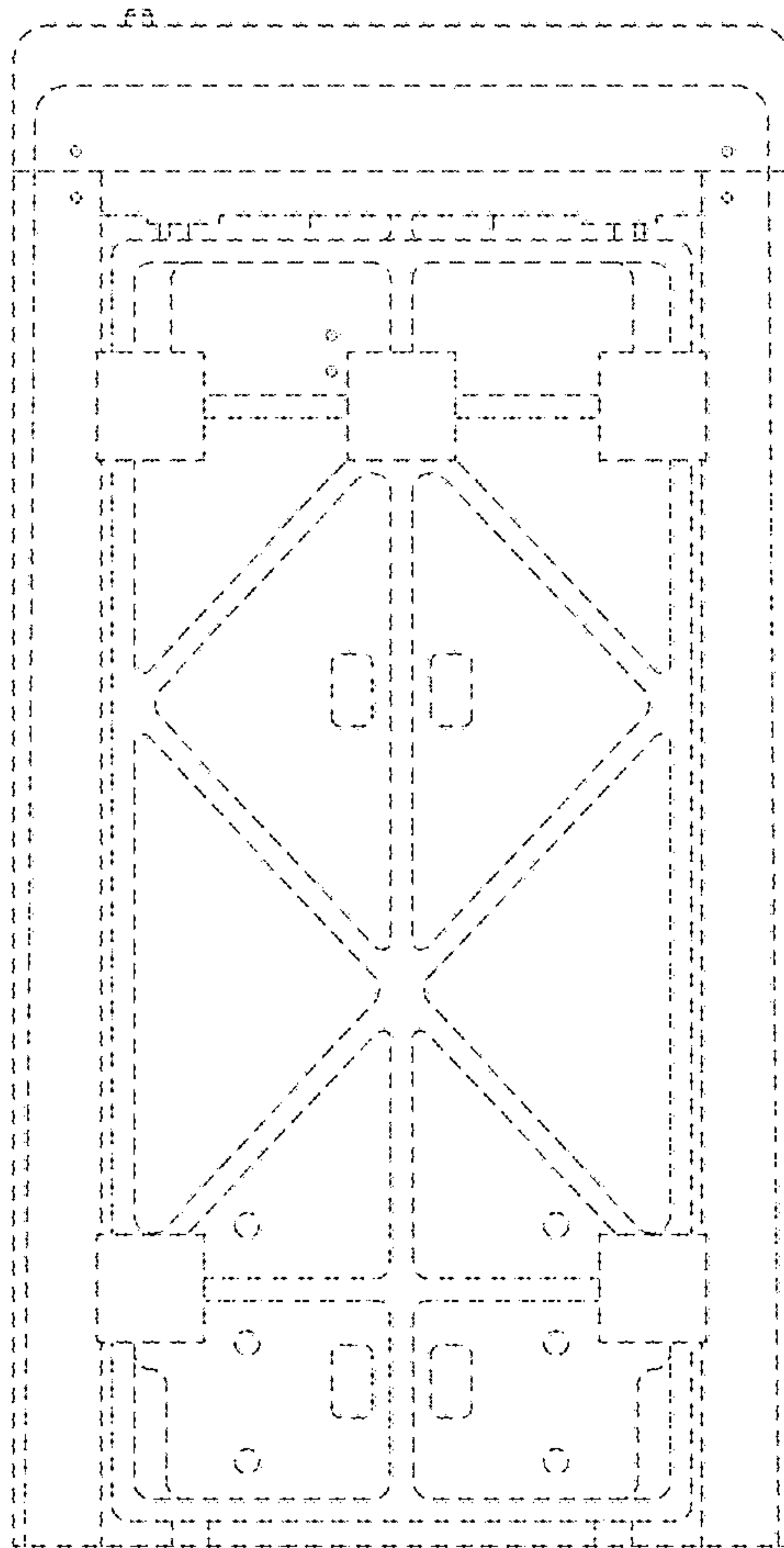


FIG. 7