



US00D847673S

(12) **United States Design Patent**  
**Pisapia**

(10) **Patent No.:** **US D847,673 S**

(45) **Date of Patent:** **\*\* May 7, 2019**

(54) **RULER**

7,415,772 B1 \* 8/2008 Ferretti ..... G01B 3/04  
33/491

(71) Applicant: **Carlo Antonio Pisapia**, Fairfield, NJ  
(US)

\* cited by examiner

(72) Inventor: **Carlo Antonio Pisapia**, Fairfield, NJ  
(US)

*Primary Examiner* — Antoine Duval Davis

(73) Assignee: **Carlo Antonio Pisapia**, FairField, NJ  
(US)

(57) **CLAIM**

The ornamental design for a ruler, as shown and described.

(\*\*) Term: **15 Years**

(21) Appl. No.: **29/620,936**

**DESCRIPTION**

(22) Filed: **Aug. 28, 2017**

(51) **LOC (11) Cl.** ..... **10-04**

(52) **U.S. Cl.**  
USPC ..... **D10/71**

(58) **Field of Classification Search**  
USPC ..... D10/71  
CPC ..... G01B 3/02; G01B 3/04; B43L 13/145  
See application file for complete search history.

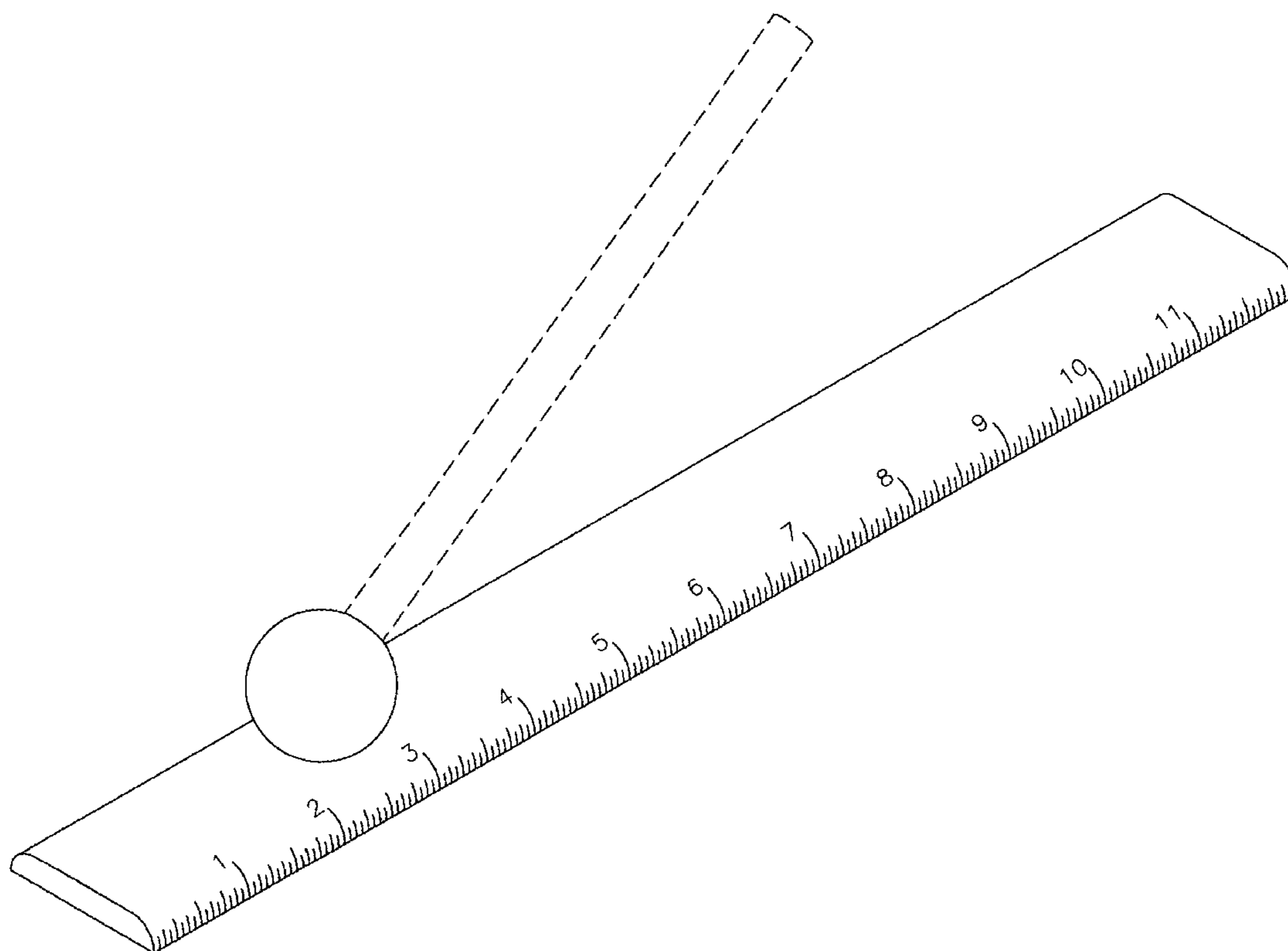
FIG. 1 is a front perspective elevational view of a ruler showing my new shape and design;  
FIG. 2 is a front perspective elevational view thereof;  
FIG. 3 is a top plan view thereof;  
FIG. 4 is a top plan view thereof;  
FIG. 5 is a front elevational view thereof;  
FIG. 6 is a front elevational view thereof;  
FIG. 7 is a left side elevational view thereof;  
FIG. 8 is a left side elevational view thereof;  
FIG. 9 is a right side elevational view thereof; and,  
FIG. 10 is a right side elevational view thereof.  
The broken line showing of a structural feature is included for the purpose of illustrating non-claimed subject matter and forms no part of the claimed design.

(56) **References Cited**

**U.S. PATENT DOCUMENTS**

D70,173 S \* 5/1926 Holtz ..... D10/71  
6,243,959 B1 \* 6/2001 Monck ..... G01B 3/02  
33/1 SD

**1 Claim, 10 Drawing Sheets**



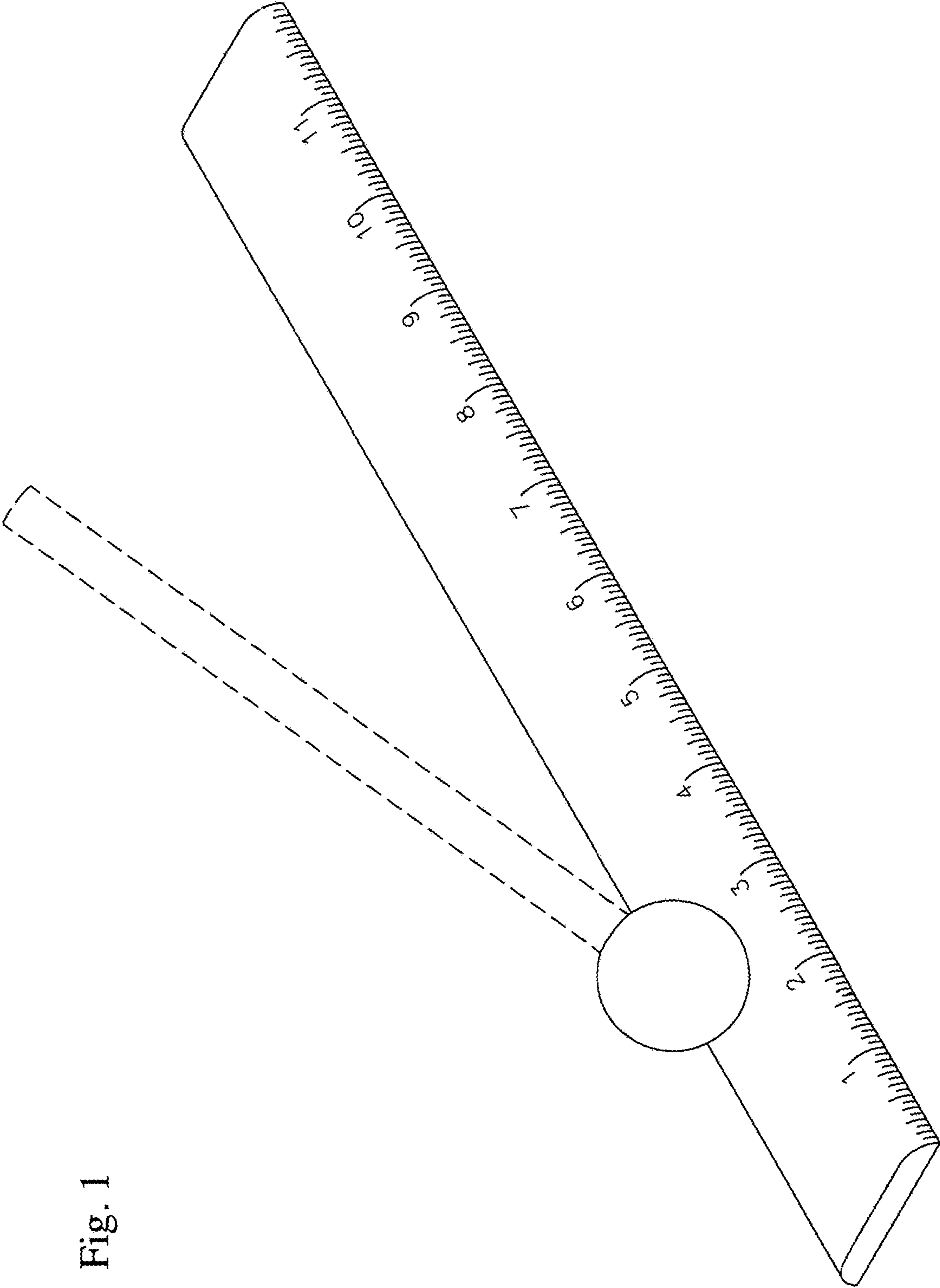


Fig. 1

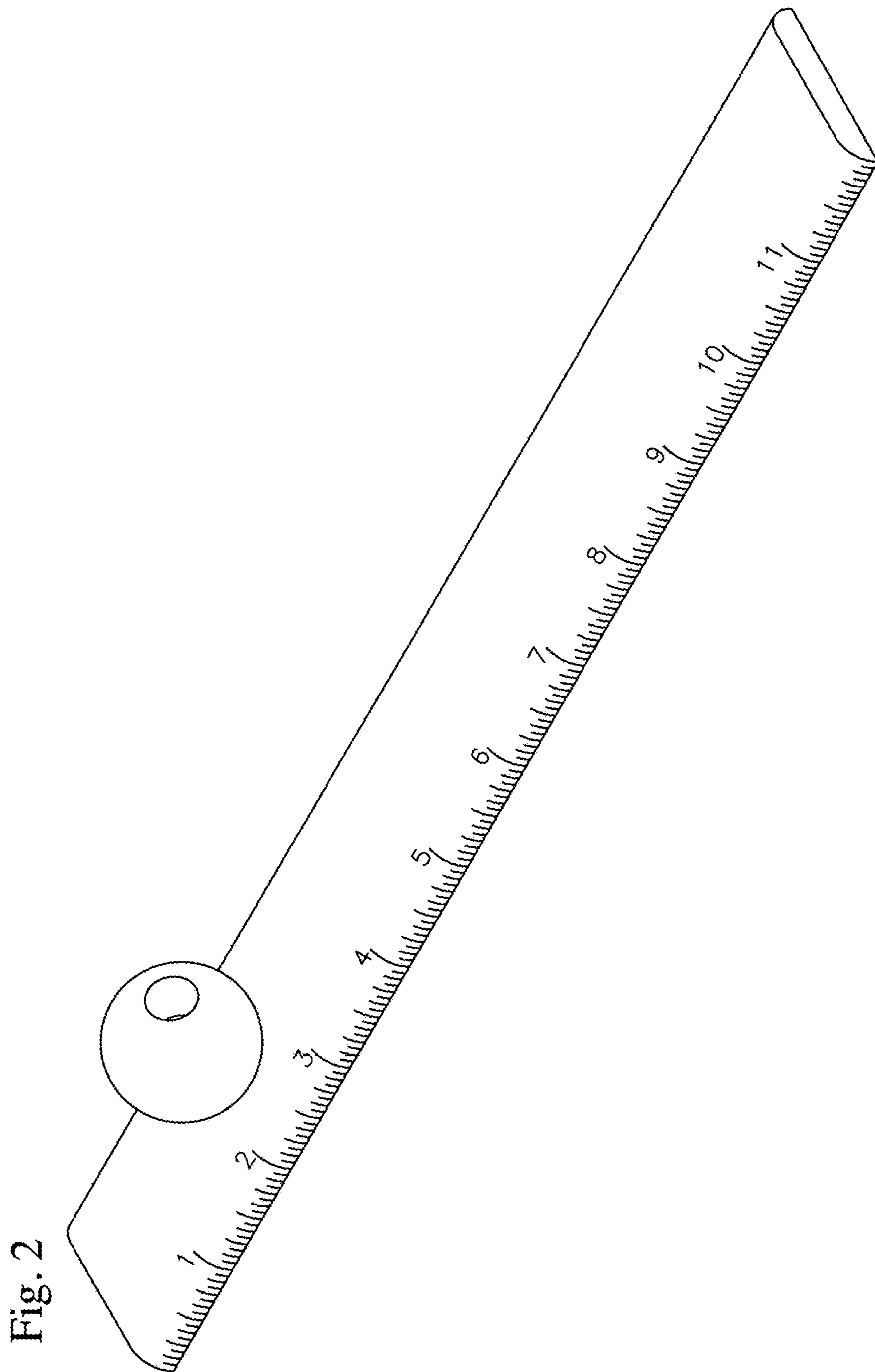


Fig. 3

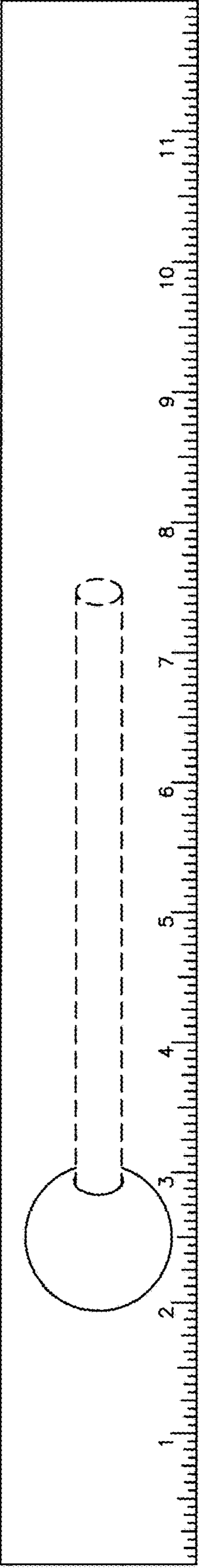


Fig. 4

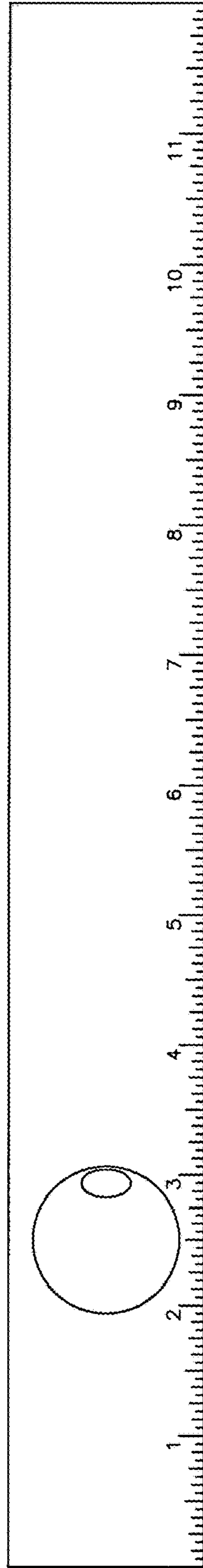


Fig. 5

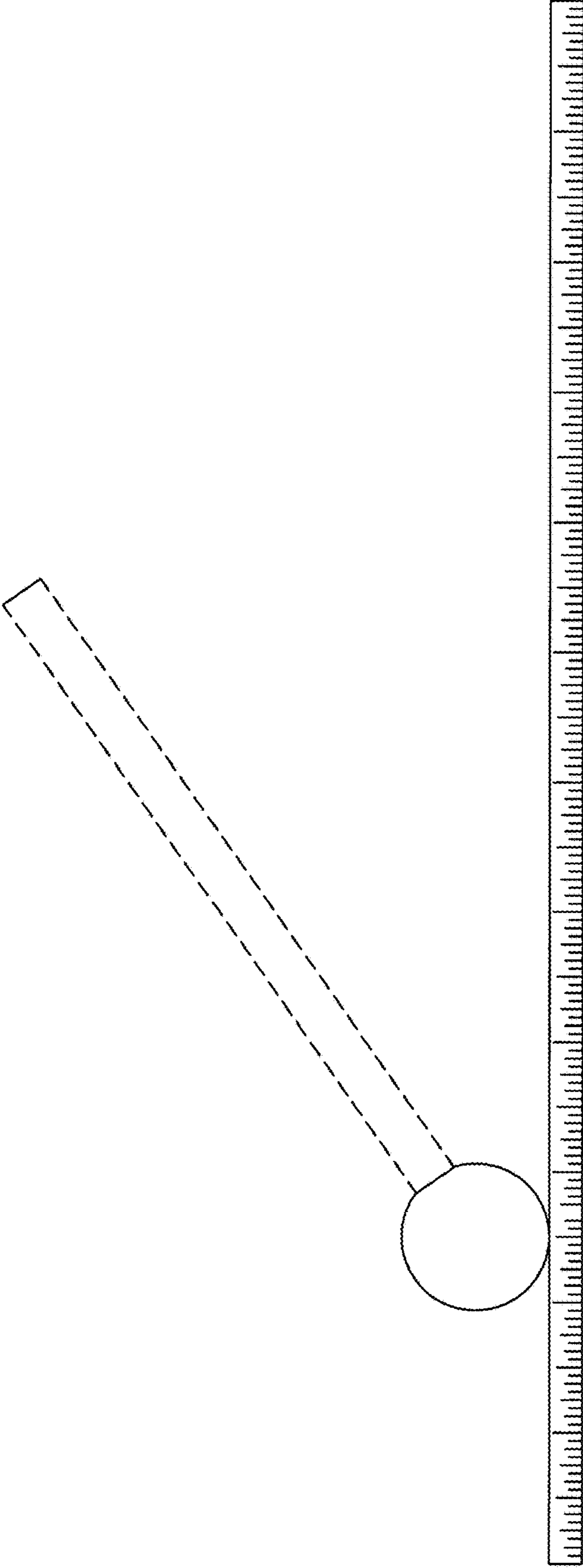


Fig. 6



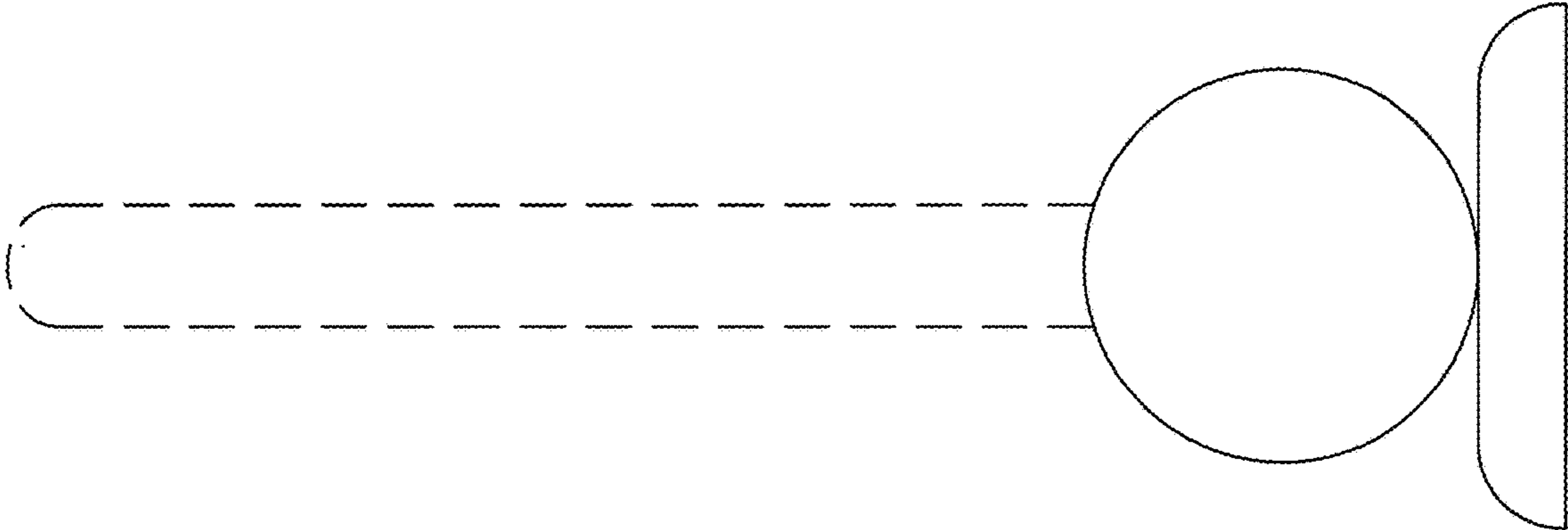


Fig. 7



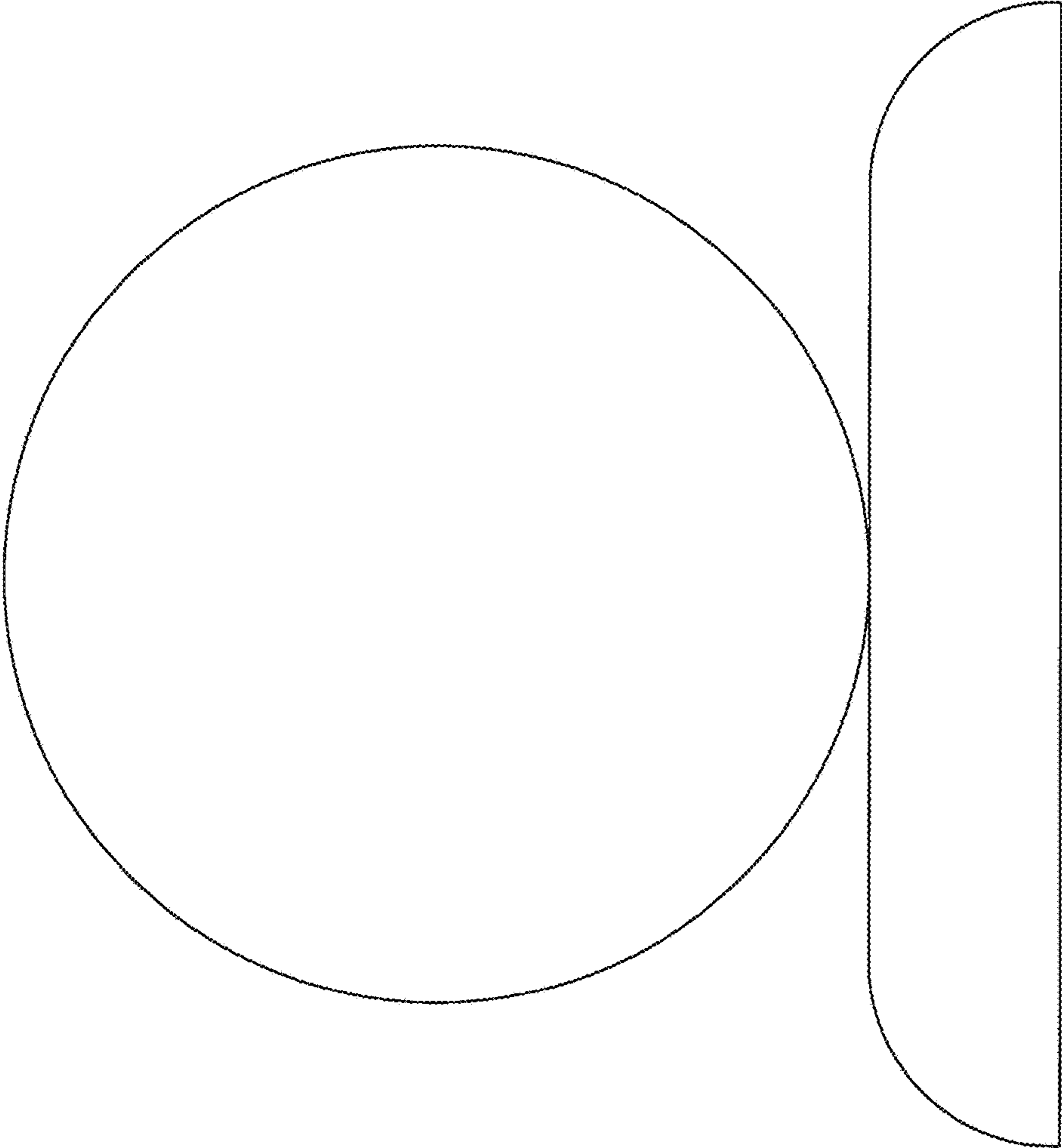


Fig. 8

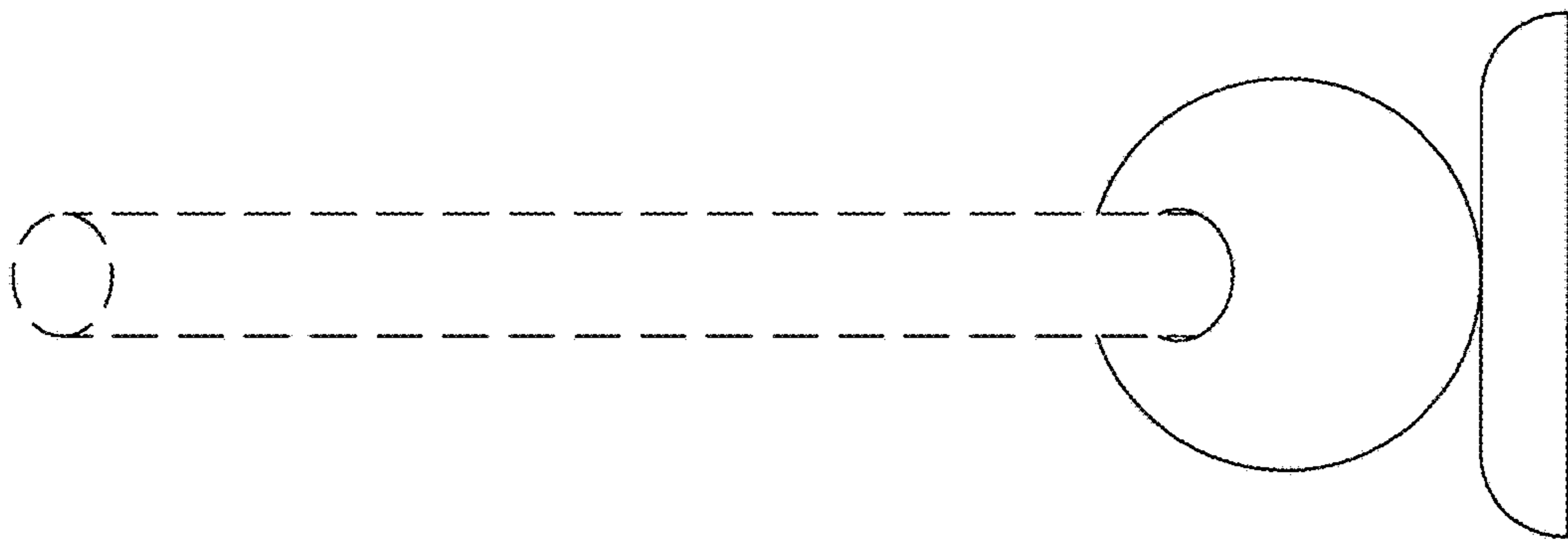


Fig. 9

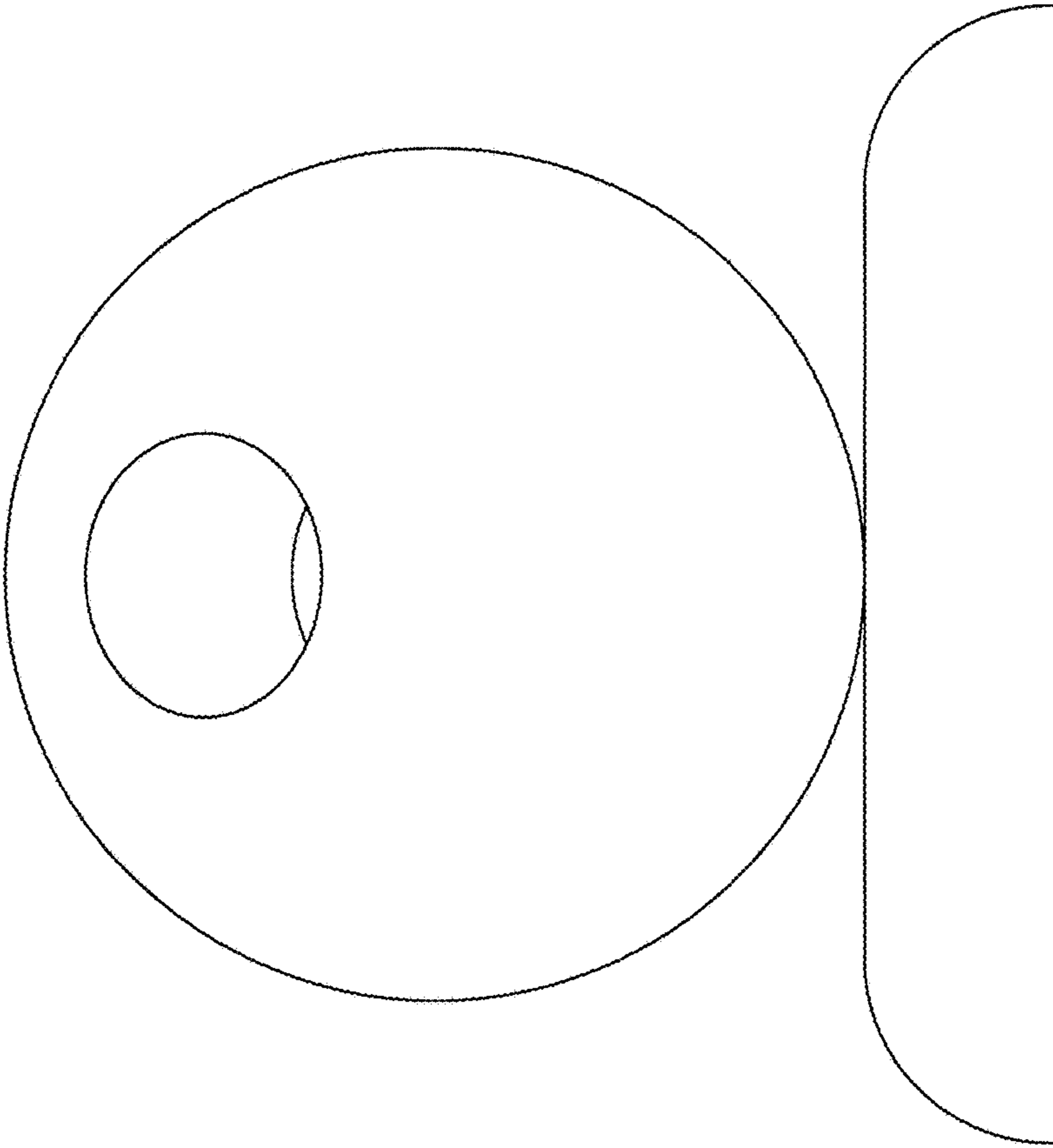


Fig. 10