

US00D847672S

(12) **United States Design Patent**
Kennedy

(10) **Patent No.:** **US D847,672 S**

(45) **Date of Patent:** **** May 7, 2019**

(54) **SQUARE MEASURING TOOL**

(71) Applicant: **Channon Kennedy**, Hayward, CA (US)

(72) Inventor: **Channon Kennedy**, Hayward, CA (US)

(**) Term: **15 Years**

(21) Appl. No.: **29/647,764**

(22) Filed: **May 15, 2018**

Related U.S. Application Data

(63) Continuation-in-part of application No. 15/979,814, filed on May 15, 2018.

(51) **LOC (11) Cl.** **10-04**

(52) **U.S. Cl.**
USPC **D10/62; D10/64; D10/65; D10/71; D10/74**

(58) **Field of Classification Search**
USPC **D10/62, 64, 65, 71, 74**
CPC **G01B 3/1084; G01B 2003/1092; G01B 2003/1089**
See application file for complete search history.

(56) **References Cited**

U.S. PATENT DOCUMENTS

5,113,596 A * 5/1992 Meyers B25H 7/02 33/759
D390,793 S * 2/1998 DeLong, Sr. D10/70

D395,249 S * 6/1998 Lindstrom D10/65
8,256,125 B2 * 9/2012 Jarzynka, Jr. B25H 7/04 33/42
8,695,227 B2 * 4/2014 Sherman B25H 1/0078 33/760

* cited by examiner

Primary Examiner — Antoine Duval Davis

(57) **CLAIM**

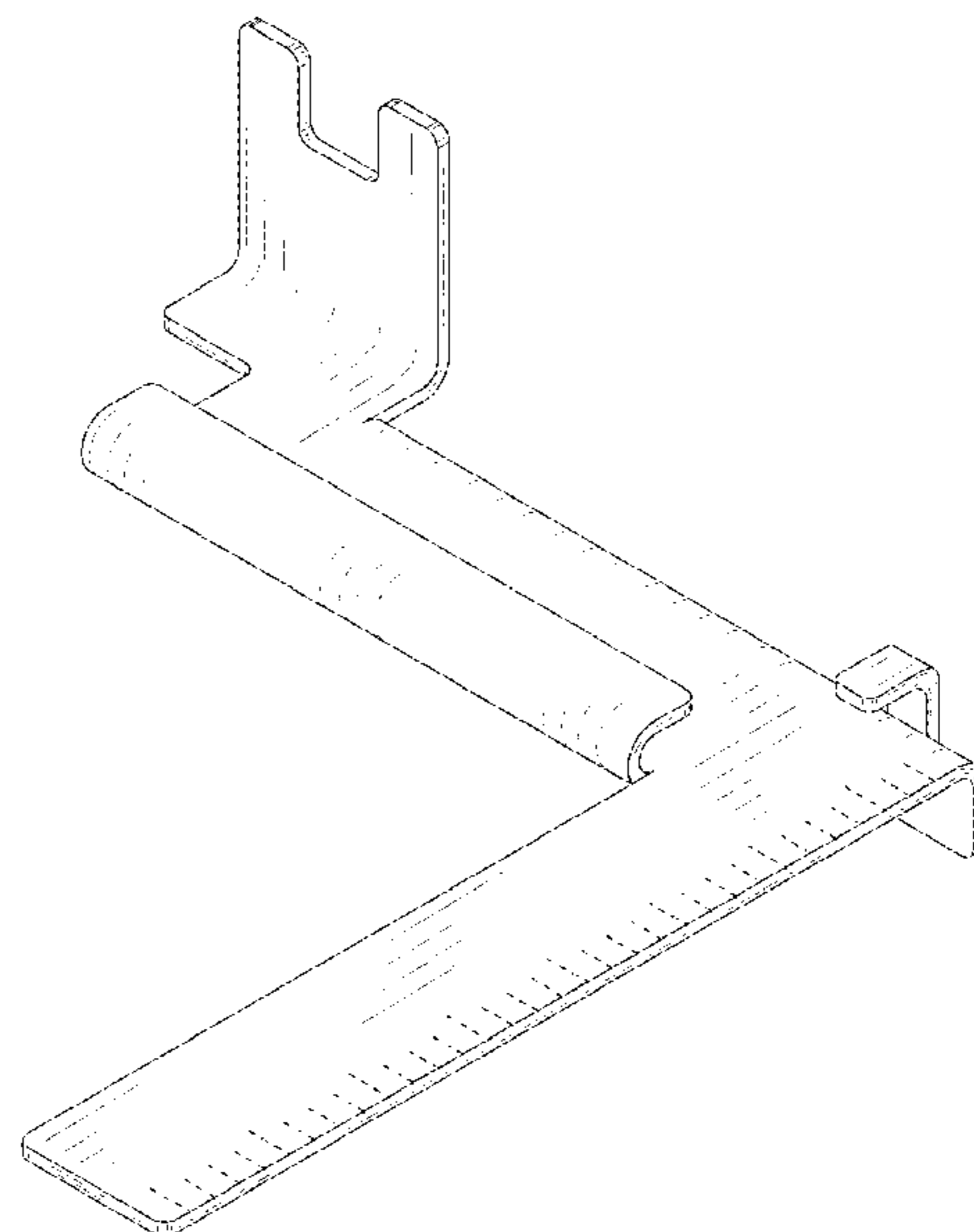
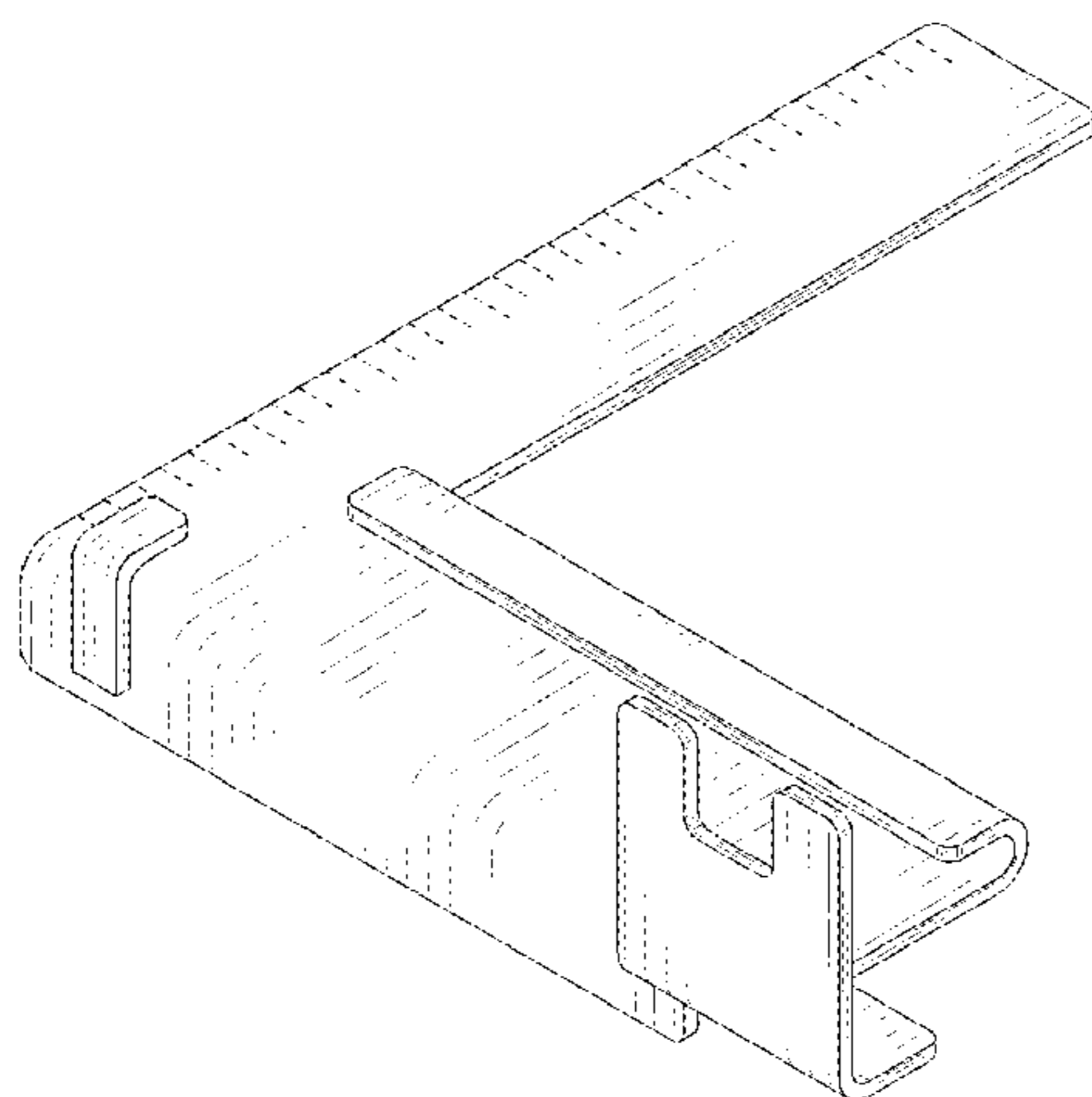
The ornamental design for a square measuring tool, as shown and described.

DESCRIPTION

FIG. 1 is a top perspective view of a square measuring tool; FIG. 2 is another top perspective view thereof; FIG. 3 is a bottom perspective view thereof; FIG. 4 is a front elevational view thereof; FIG. 5 is a rear elevational view thereof; FIG. 6 is a right-side elevational view thereof; FIG. 7 is a left-side elevational view thereof; FIG. 8 is a top plan view thereof; and, FIG. 9 is a bottom plan view thereof.

The broken line showing of a plurality of line indicators in FIG. 1, FIG. 2, and FIG. 8 are included for the purpose of showing environmental structure and forms no part of the claimed design.

1 Claim, 9 Drawing Sheets



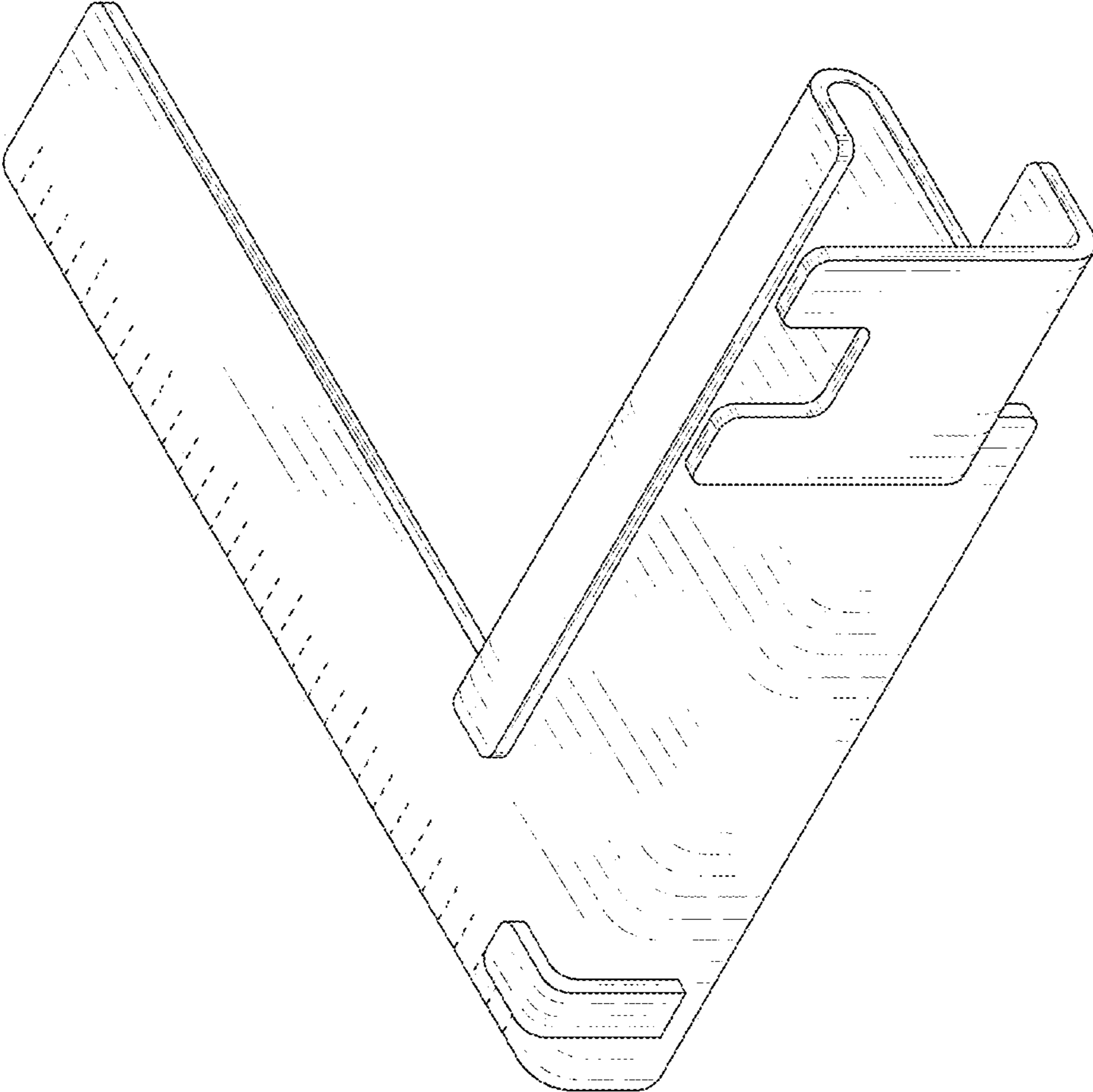


FIG. 1

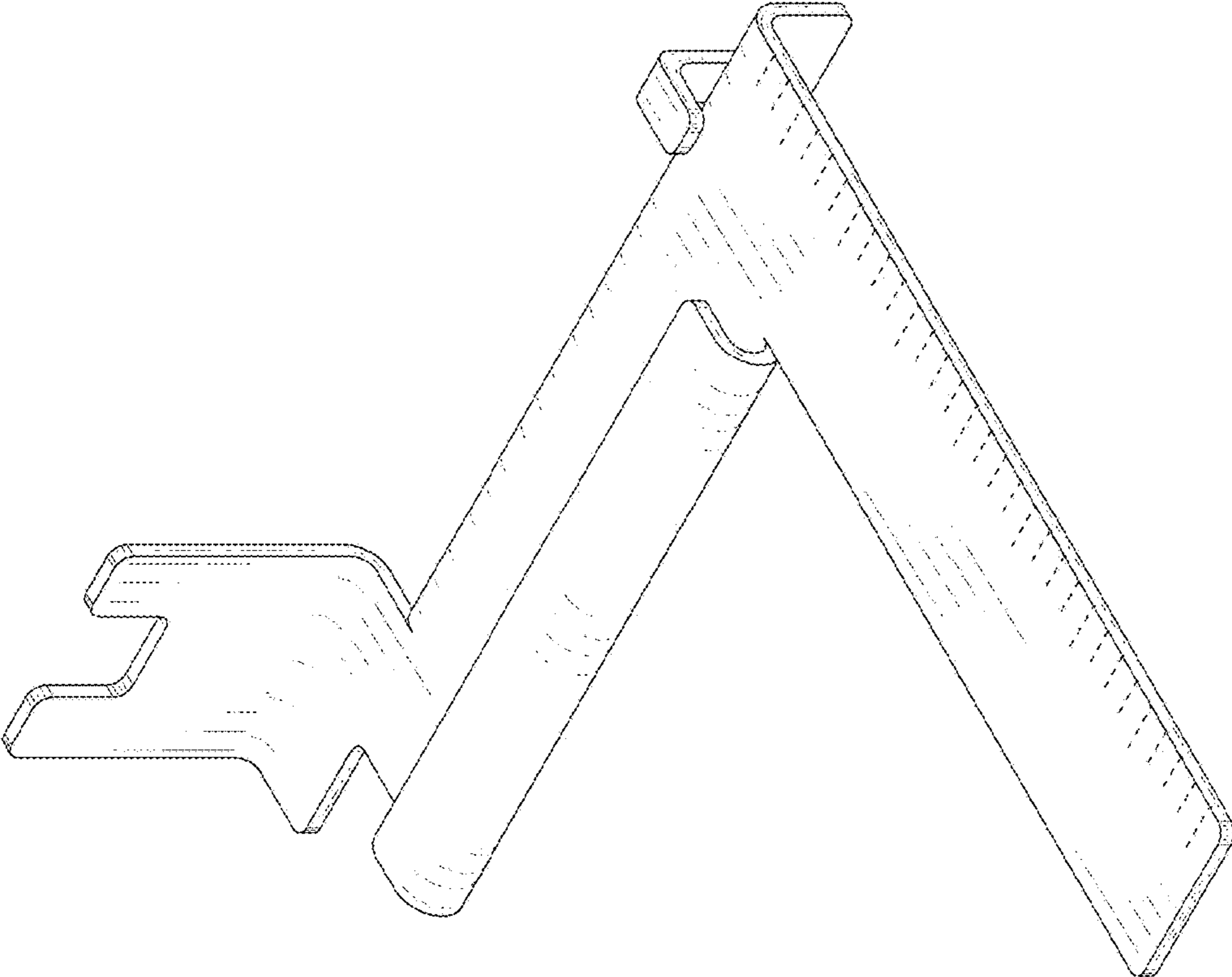


FIG. 2

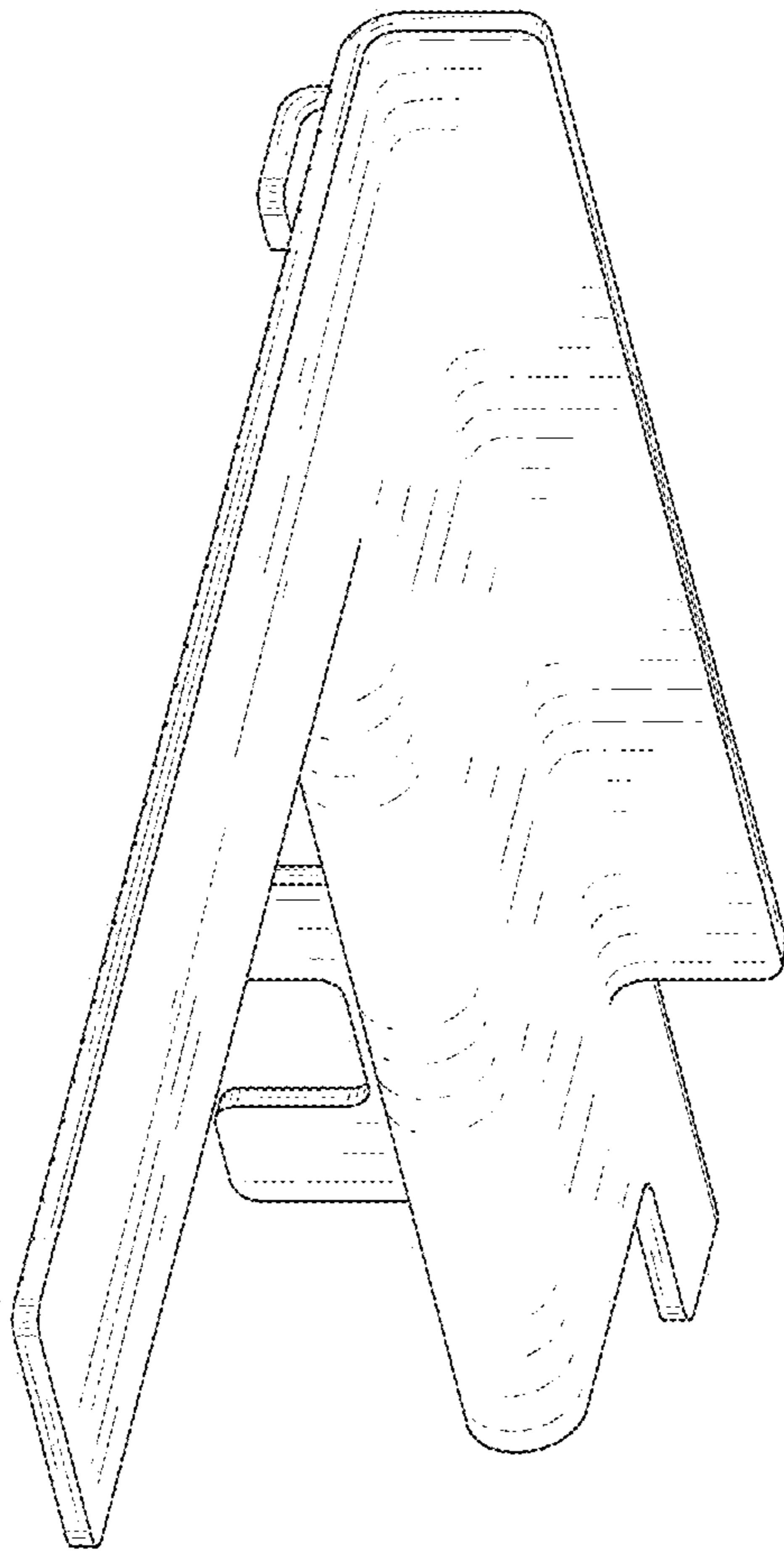


FIG. 3

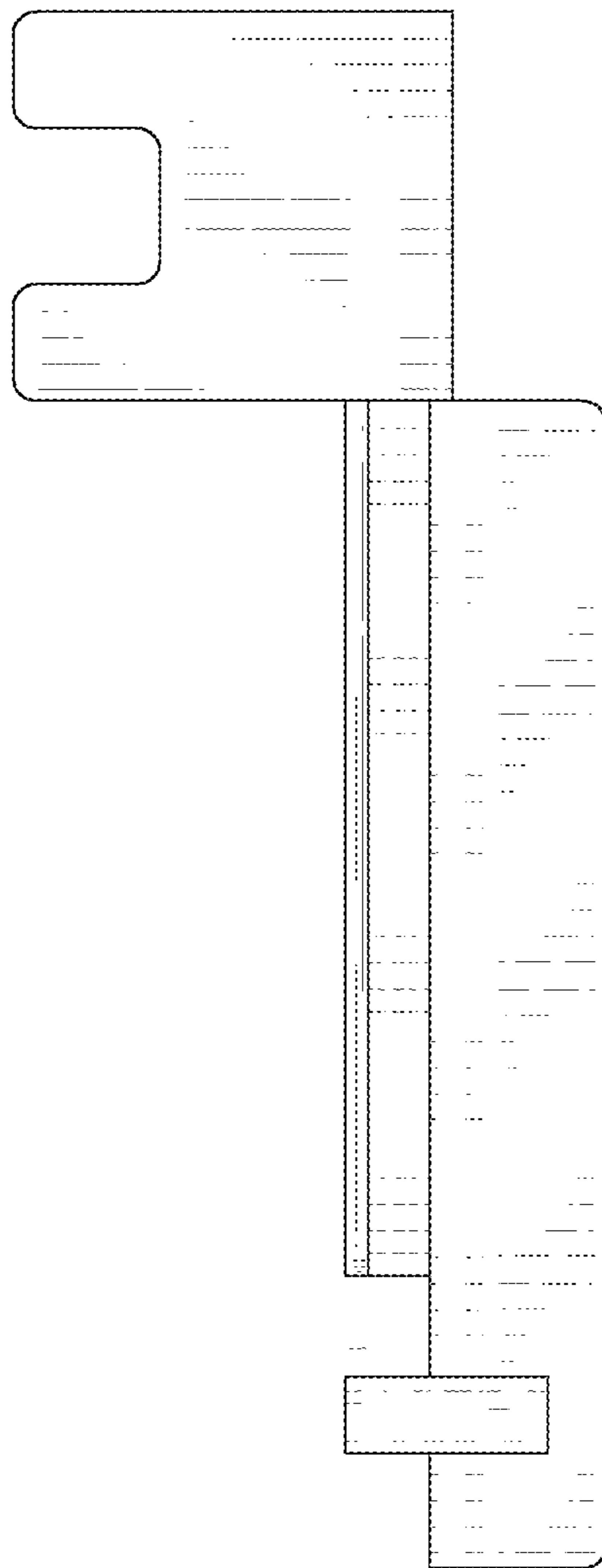


FIG. 4

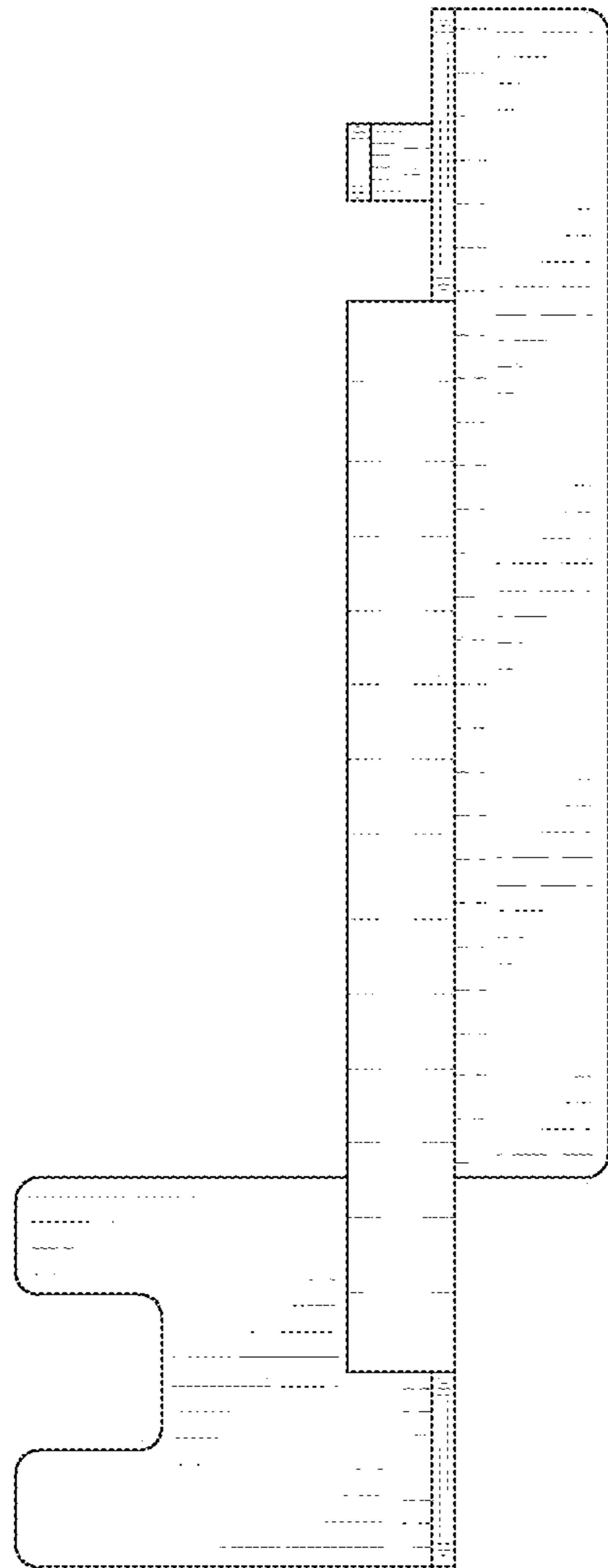


FIG. 5

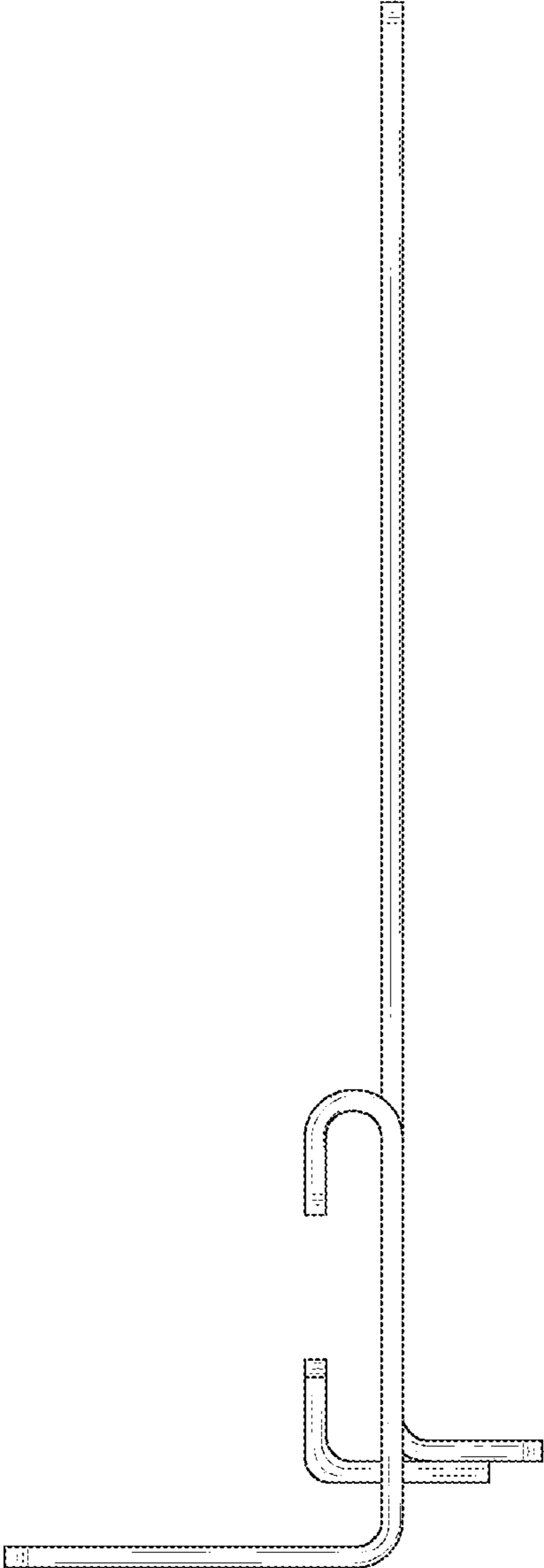


FIG. 6

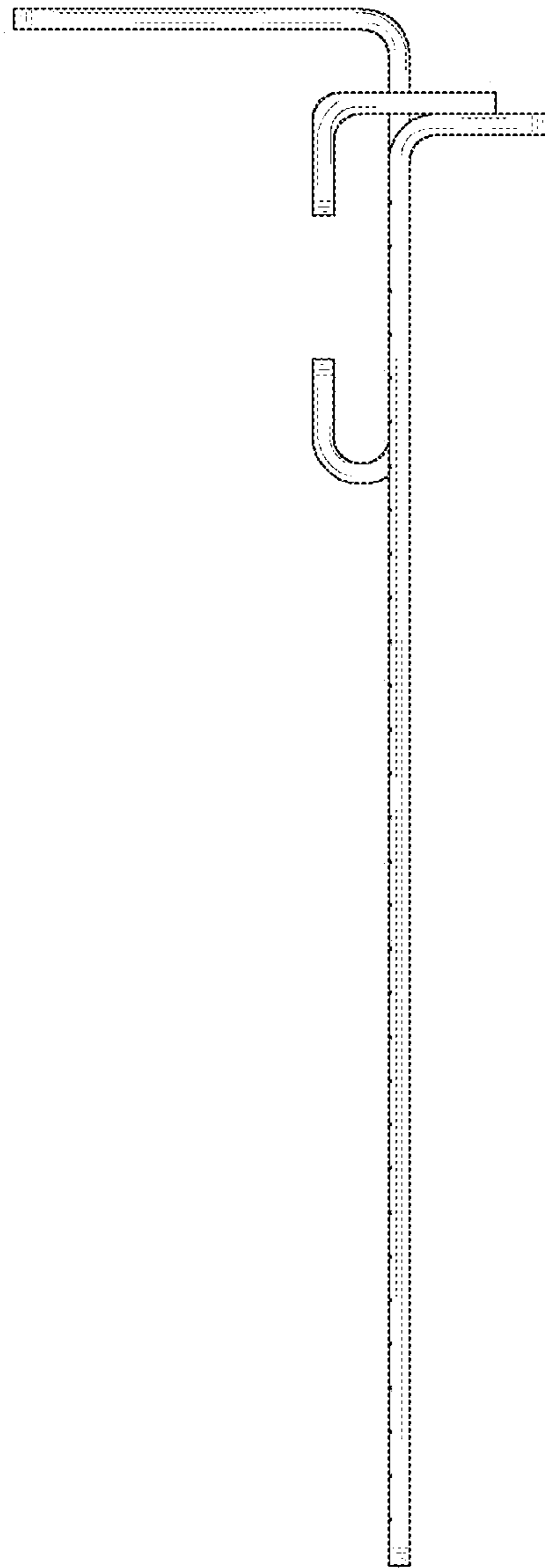


FIG. 7

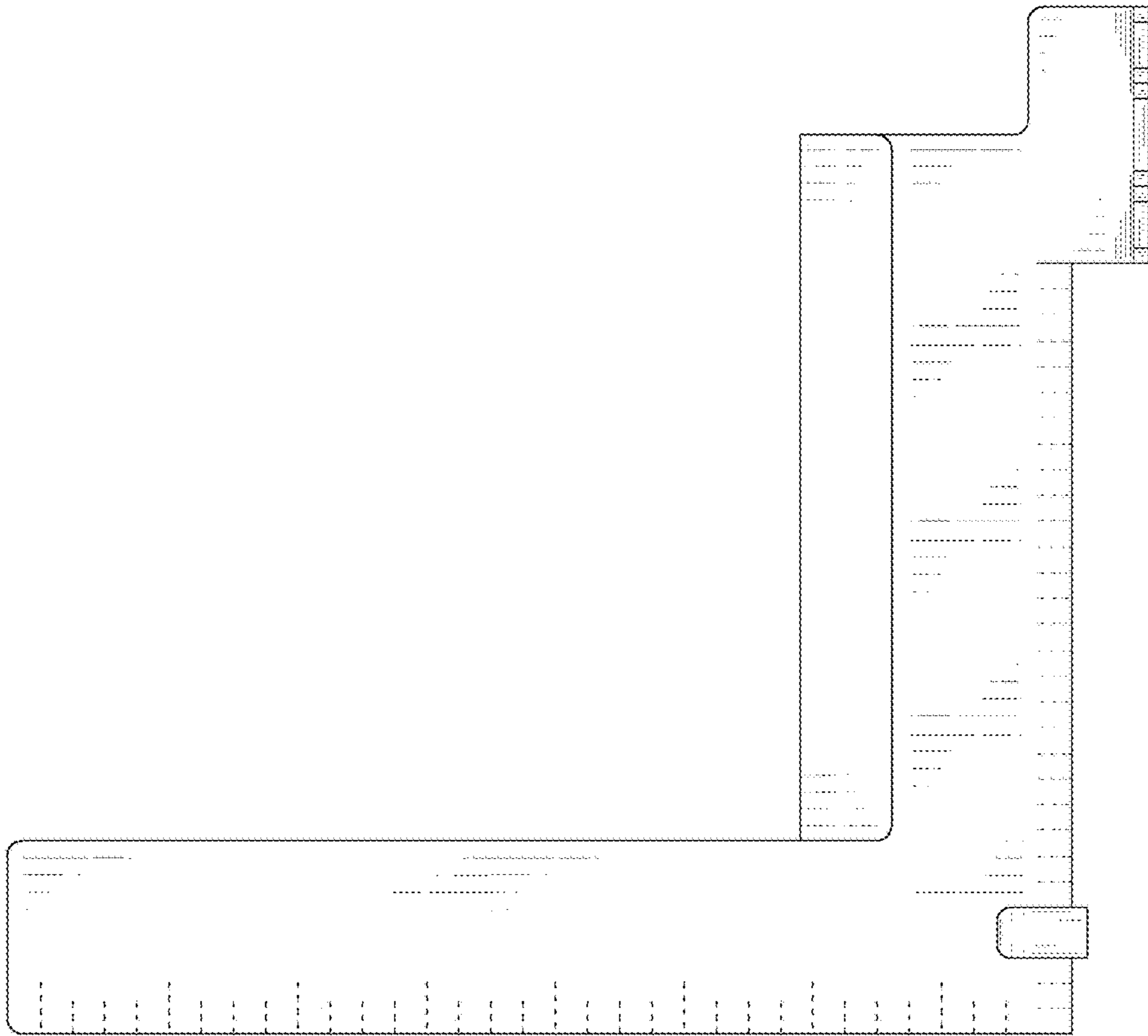


FIG. 8

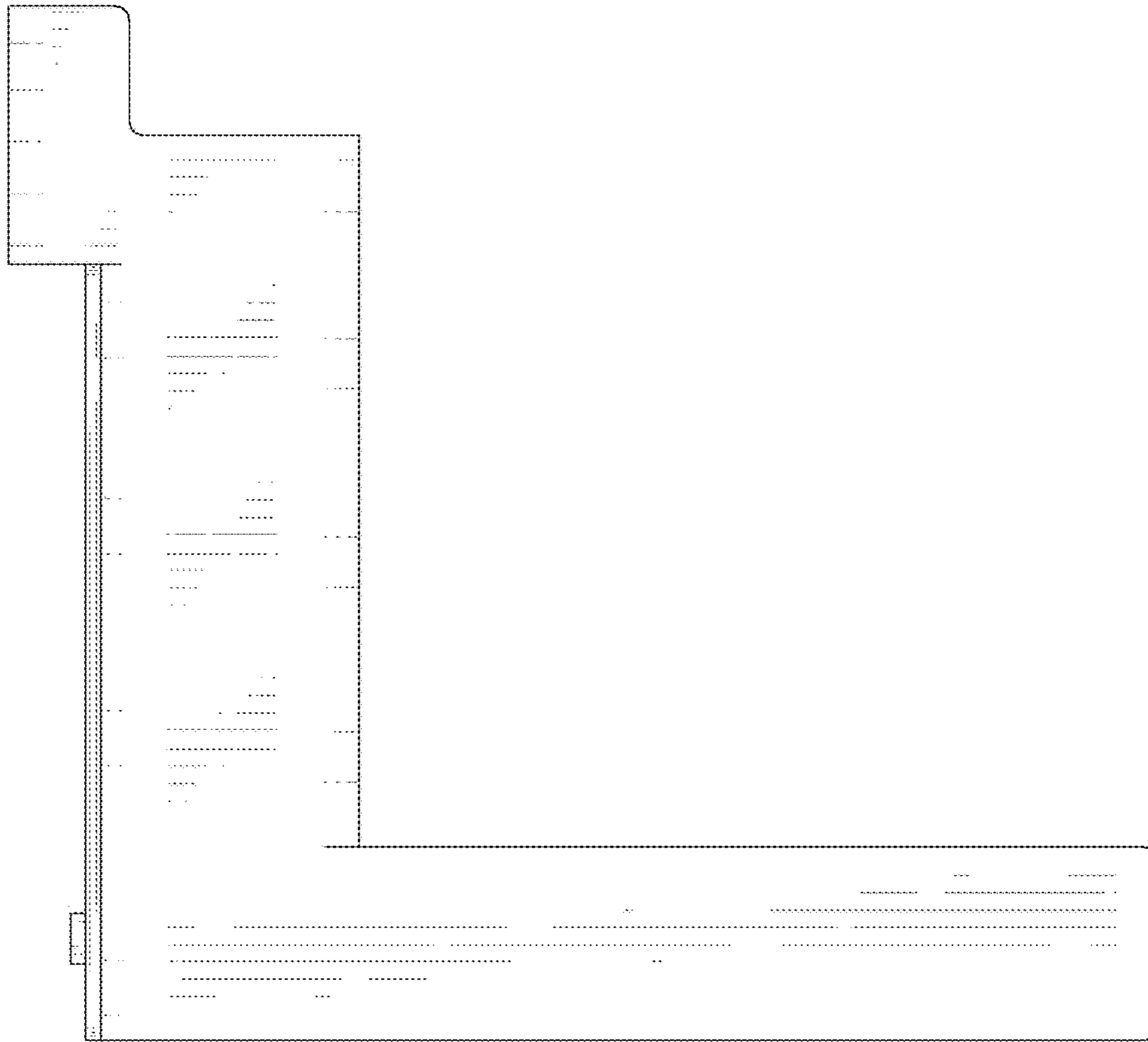


FIG. 9