



US00D847671S

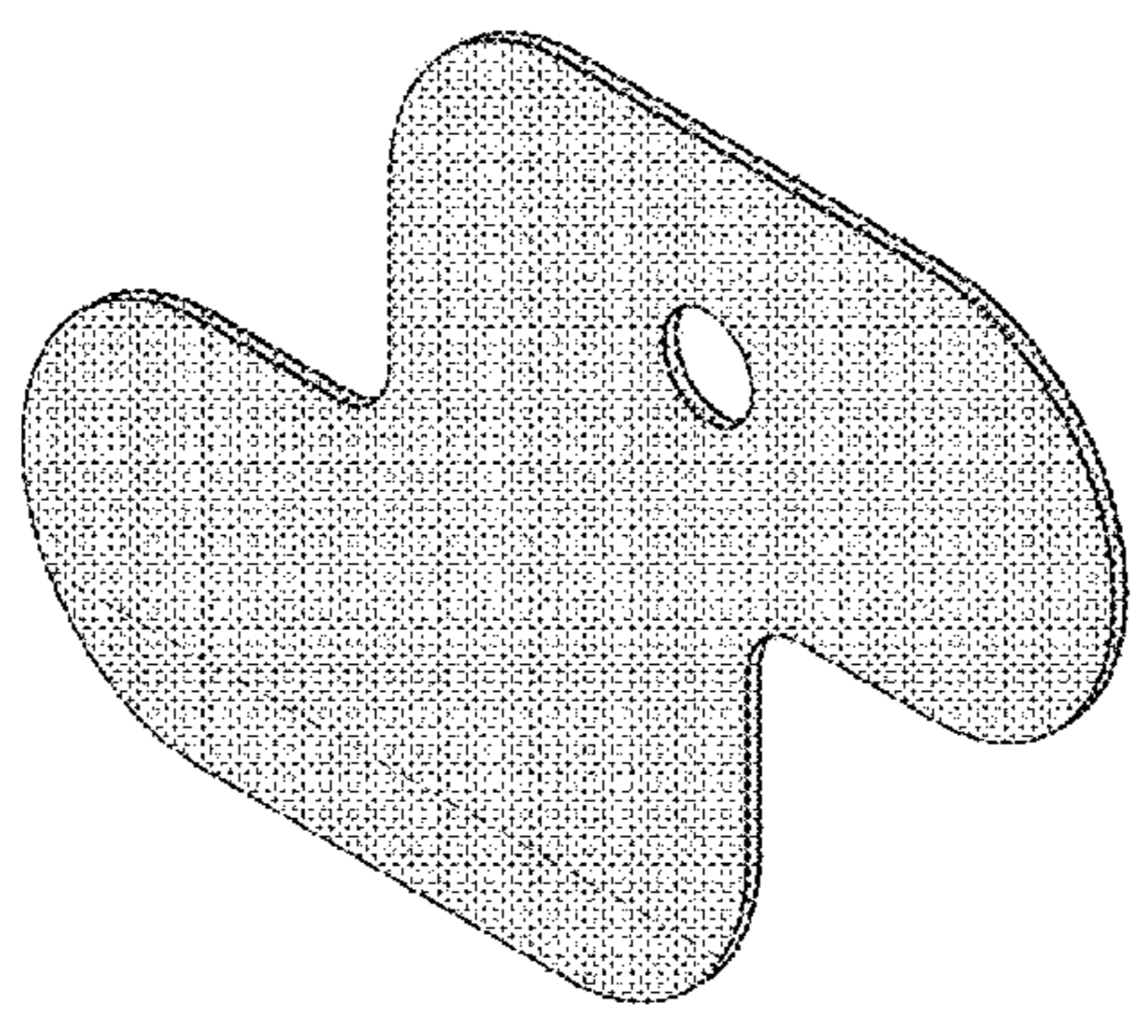
(12) **United States Design Patent** (10) **Patent No.:** **US D847,671 S**
Fleet (45) **Date of Patent:** **** *May 7, 2019**

(54) **WEARABLE THERMOMETER**
(71) Applicant: **Reckitt Benckiser (Brands) Limited**,
Slough (GB)
(72) Inventor: **Thomas Fleet**, London (GB)
(73) Assignee: **RECKITT BENCKISER (BRANDS)**
LIMITED, Slough (GB)
(*) Notice: This patent is subject to a terminal dis-
claimer.
(**) Term: **15 Years**
(21) Appl. No.: **29/638,673**
(22) Filed: **Feb. 28, 2018**
(30) **Foreign Application Priority Data**
Oct. 10, 2017 (EM) 004394104-0002
(51) **LOC (11) Cl.** **10-04**
(52) **U.S. Cl.**
USPC **D10/57**
(58) **Field of Classification Search**
USPC D10/57, 58
CPC G01K 11/12; G01K 11/125; G01K 11/14;
G01K 11/16; G01K 11/165; G01K 11/18;
A61N 1/0472; A61N 1/0476; A61N
1/048; A61N 1/0484; A61N 1/0488;
A61N 1/0492; A61N 1/0496; A61N 1/37;
A61N 1/3702; A61N 1/3704; A61N
1/3706; A61N 1/3708; A61N 1/371;
A61N 1/3712; A61N 1/3714; A61N
1/3716; A61N 1/3718
See application file for complete search history.

(56) **References Cited**
U.S. PATENT DOCUMENTS
D544,379 S * 6/2007 Lev D10/57
D746,161 S * 12/2015 Vardi D10/52
D795,713 S * 8/2017 Pugmire D10/57
D795,714 S * 8/2017 Pugmire D10/57
2015/0272447 A1* 10/2015 Ford A61B 5/01
600/549
* cited by examiner
Primary Examiner — Antoine Duval Davis
(74) *Attorney, Agent, or Firm* — Troutman Sanders LLP;
Ryan Schneider; Chris Davis

(57) **CLAIM**
The ornamental design for a wearable thermometer, as
shown and described.

DESCRIPTION
FIG. 1 is a perspective view of my new design for a wearable
thermometer;
FIG. 2 is a top plan view thereof;
FIG. 3 is a bottom plan view thereof;
FIG. 4 is a side elevation view thereof;
FIG. 5 is another side elevation view thereof;
FIG. 6 is a rear elevation view thereof; and,
FIG. 7 is a front elevation view thereof.
The broken lines are included for the purpose of illustrating
a portion of the wearable thermometer that forms no part of
the claimed design.
1 Claim, 4 Drawing Sheets



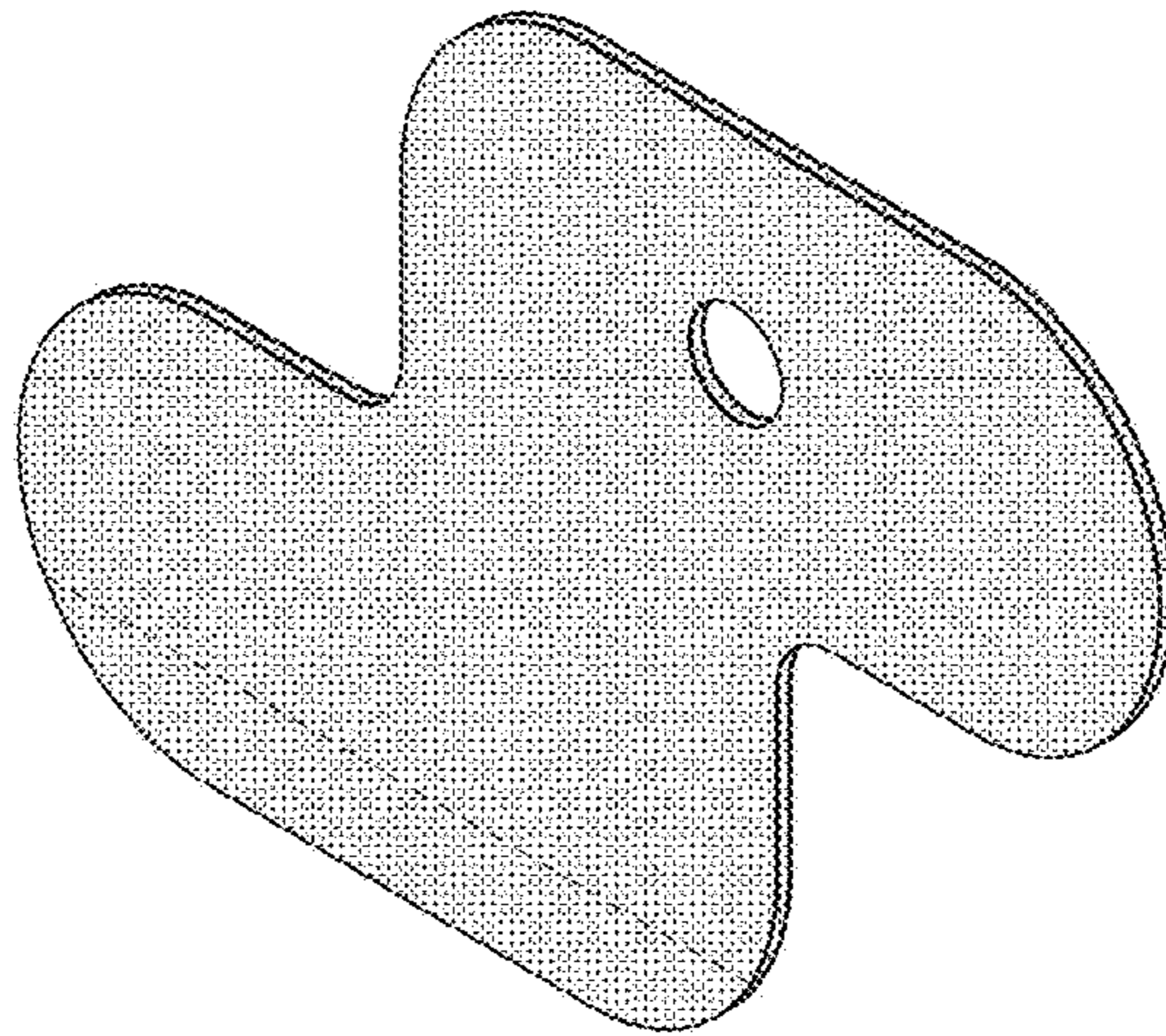


Fig. 1

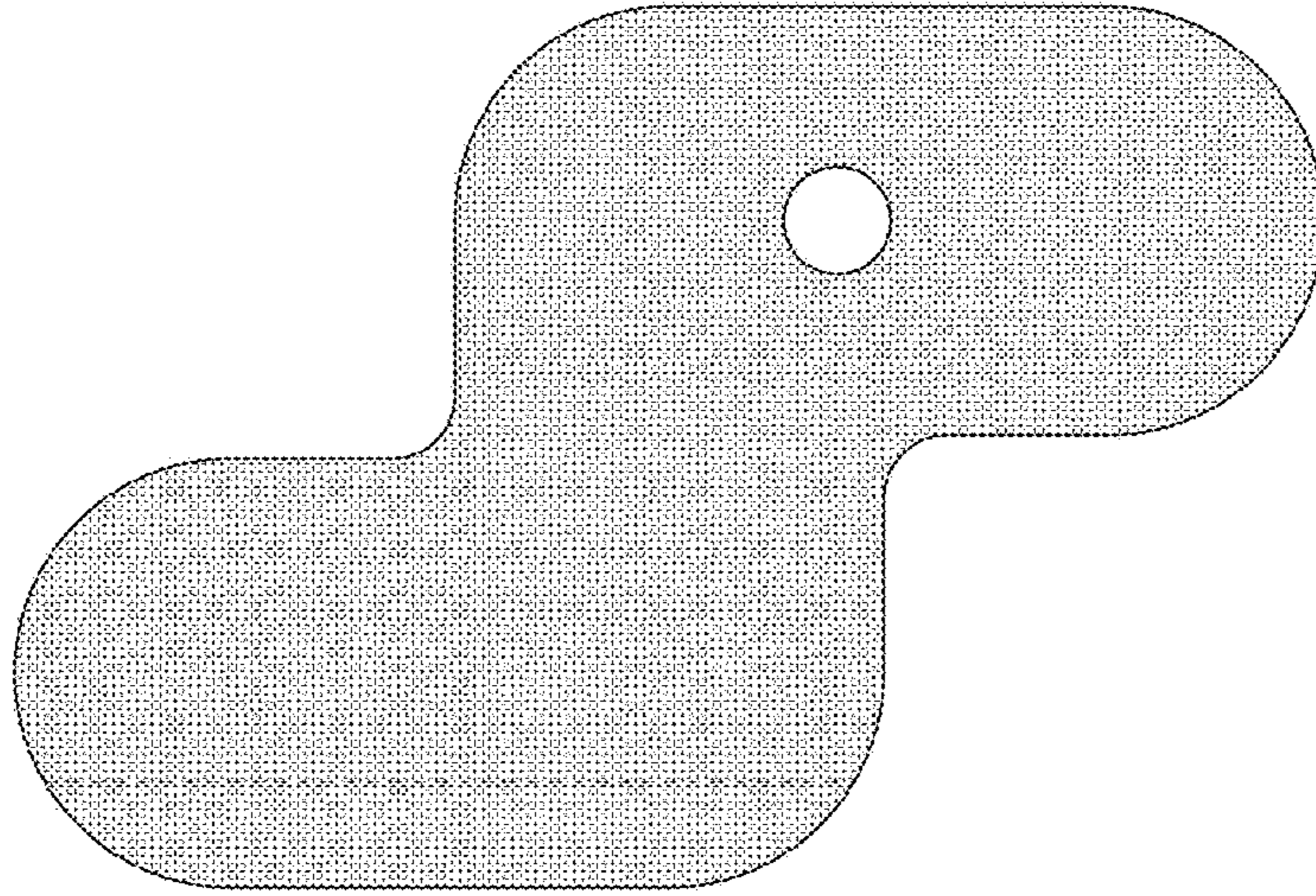


Fig. 2

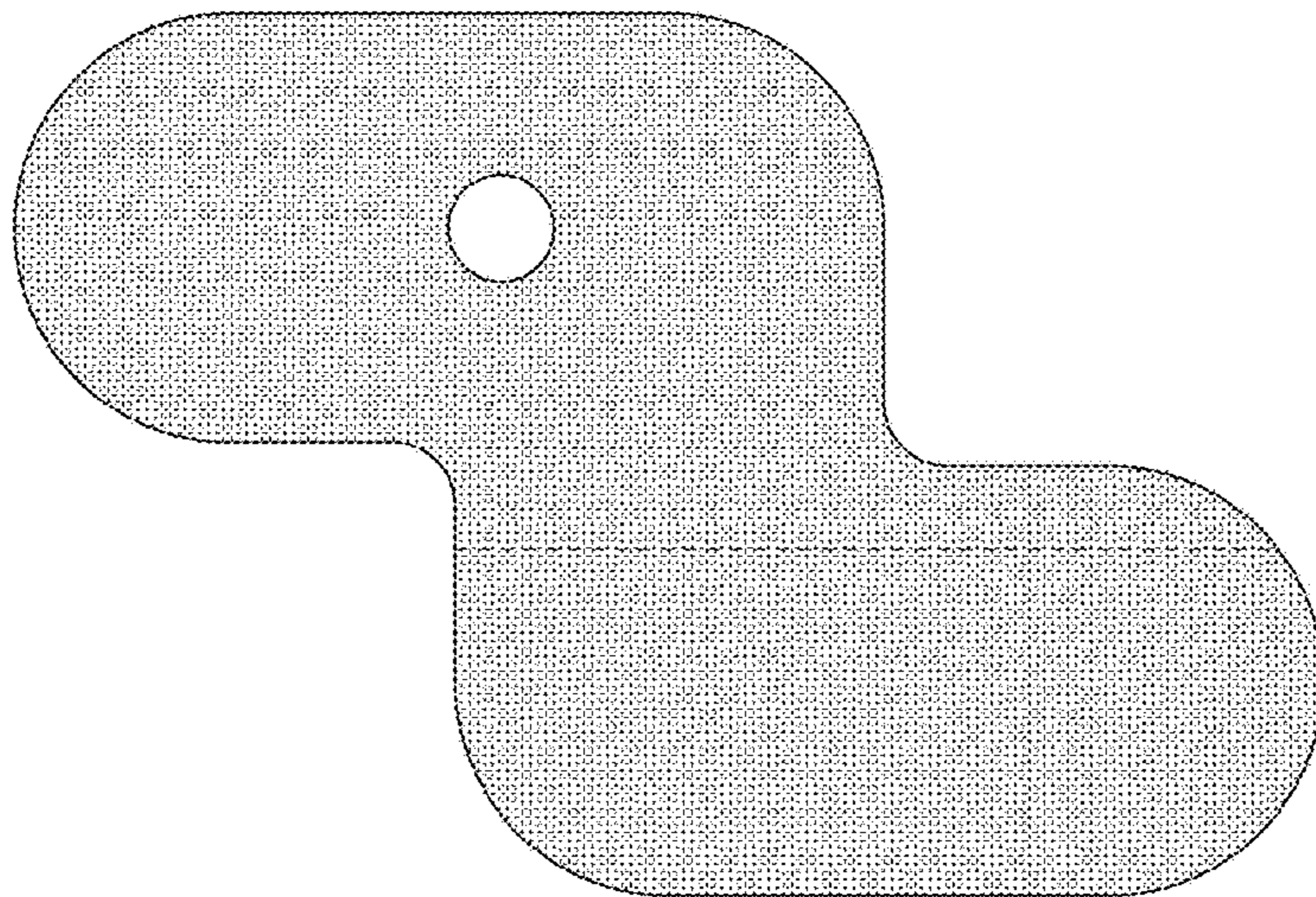


Fig. 3



Fig. 4



Fig. 5



Fig. 6

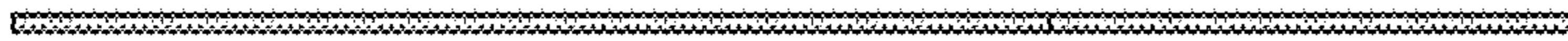


Fig. 7