



US00D847668S

(12) **United States Design Patent** (10) **Patent No.:** **US D847,668 S**
Hasegawa et al. (45) **Date of Patent:** **** May 7, 2019**

(54) **PYRANOMETER**
 (71) Applicant: **EKO INSTRUMENTS CO., LTD.**,
 Tokyo (JP)
 (72) Inventors: **Toshikazu Hasegawa**, Tokyo (JP);
Naoto Shimada, Tokyo (JP)

D377,321 S * 1/1997 Tomizawa D10/106.5
 D412,456 S * 8/1999 Uehara D10/47
 D519,860 S * 5/2006 Bugbee D10/47
 D526,220 S * 8/2006 Wildey D10/46
 D597,863 S * 8/2009 Kataoka D10/103
 8,481,905 B2 * 7/2013 Dolce G01J 1/02
 126/576
 8,481,943 B2 * 7/2013 Dolce G01J 1/0271
 250/339.01
 9,329,256 B2 * 5/2016 Dolce G01S 3/7861
 D795,092 S * 8/2017 Trishaun D10/52

(**) Term: **15 Years**

(21) Appl. No.: **35/501,624**

(22) Filed: **Mar. 25, 2016**

(80) **Hague Agreement Data**

Int. Filing Date: **Mar. 25, 2016**
 Int. Reg. No.: **DM/091055**
 Int. Reg. Date: **Mar. 25, 2016**
 Int. Reg. Pub. Date: **Sep. 30, 2016**

Primary Examiner — George D. Kirschbaum

(30) **Foreign Application Priority Data**

Sep. 30, 2015 (JP) 2015-021539
 Sep. 30, 2015 (JP) 2015-021540

(51) **LOC (11) Cl.** **10-04**

(52) **U.S. Cl.**
 USPC **D10/47**

(58) **Field of Classification Search**
 USPC D10/106.5, 47, 46, 52, 103
 CPC ... G01J 1/04; G01J 1/02; G01J 1/0271; G01S
 3/7861

See application file for complete search history.

(56) **References Cited**

U.S. PATENT DOCUMENTS

4,491,727 A * 1/1985 Appelbaum G01J 1/04
 126/573

* cited by examiner

(57) **CLAIM**

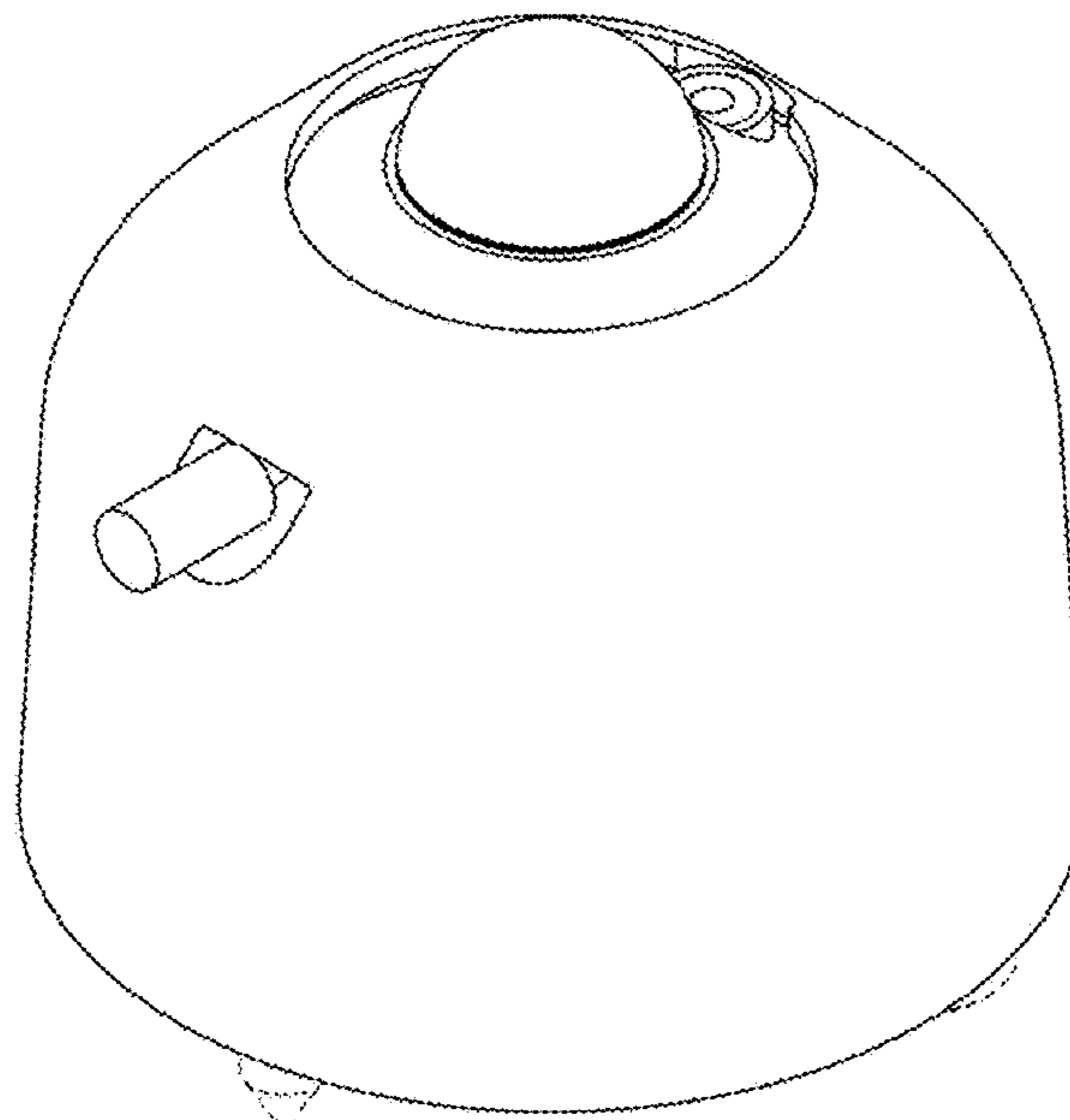
The ornamental design for a pyranometer, as shown and described.

DESCRIPTION

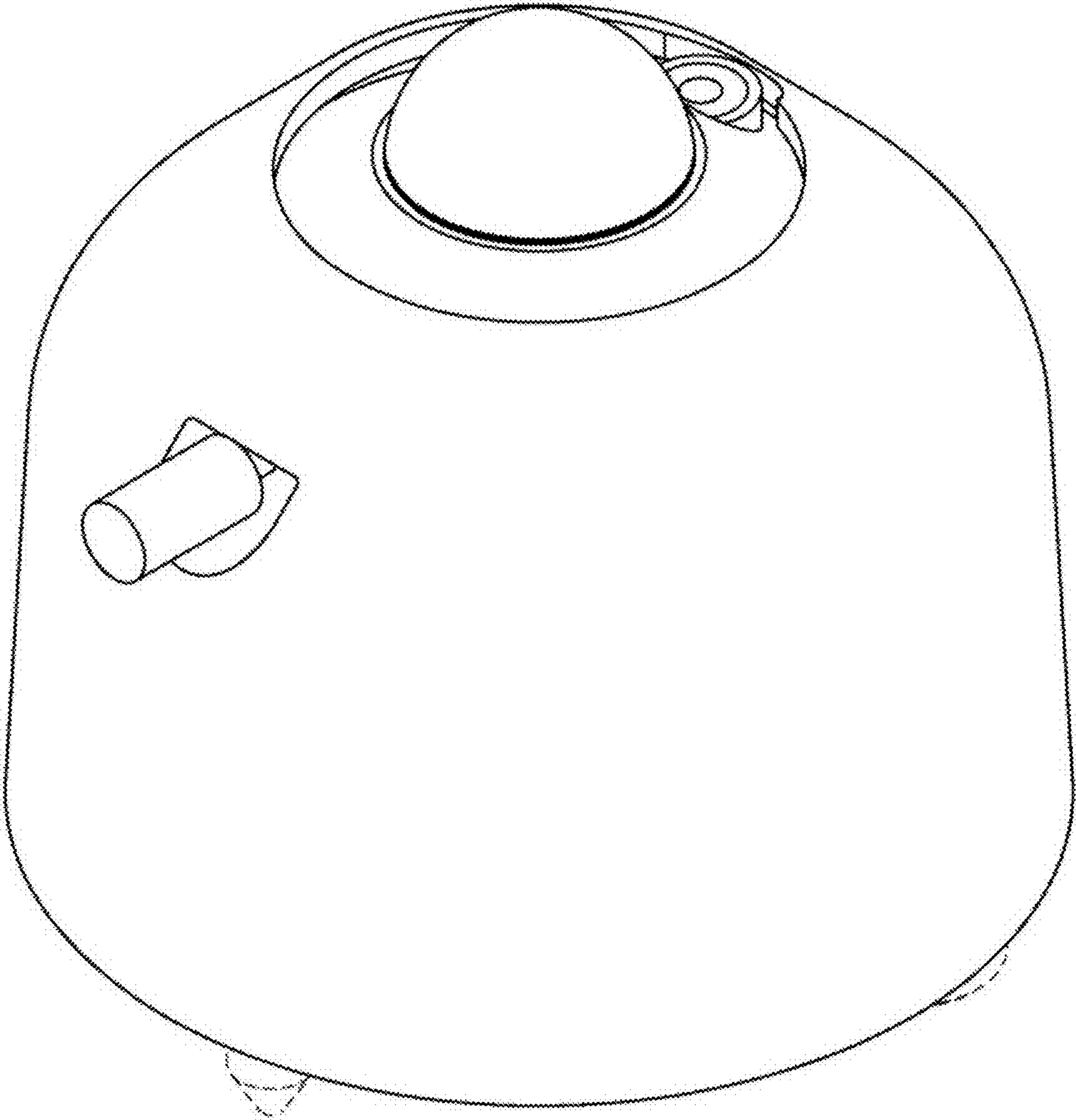
- 1. Pyranometer
- 1.1 Perspective
- 1.2 Front
- 1.3 Back
- 1.4 Top
- 1.5 Bottom
- 1.6 Right
- 1.7 Left

The broken line disclosure does not form part of the claimed design.

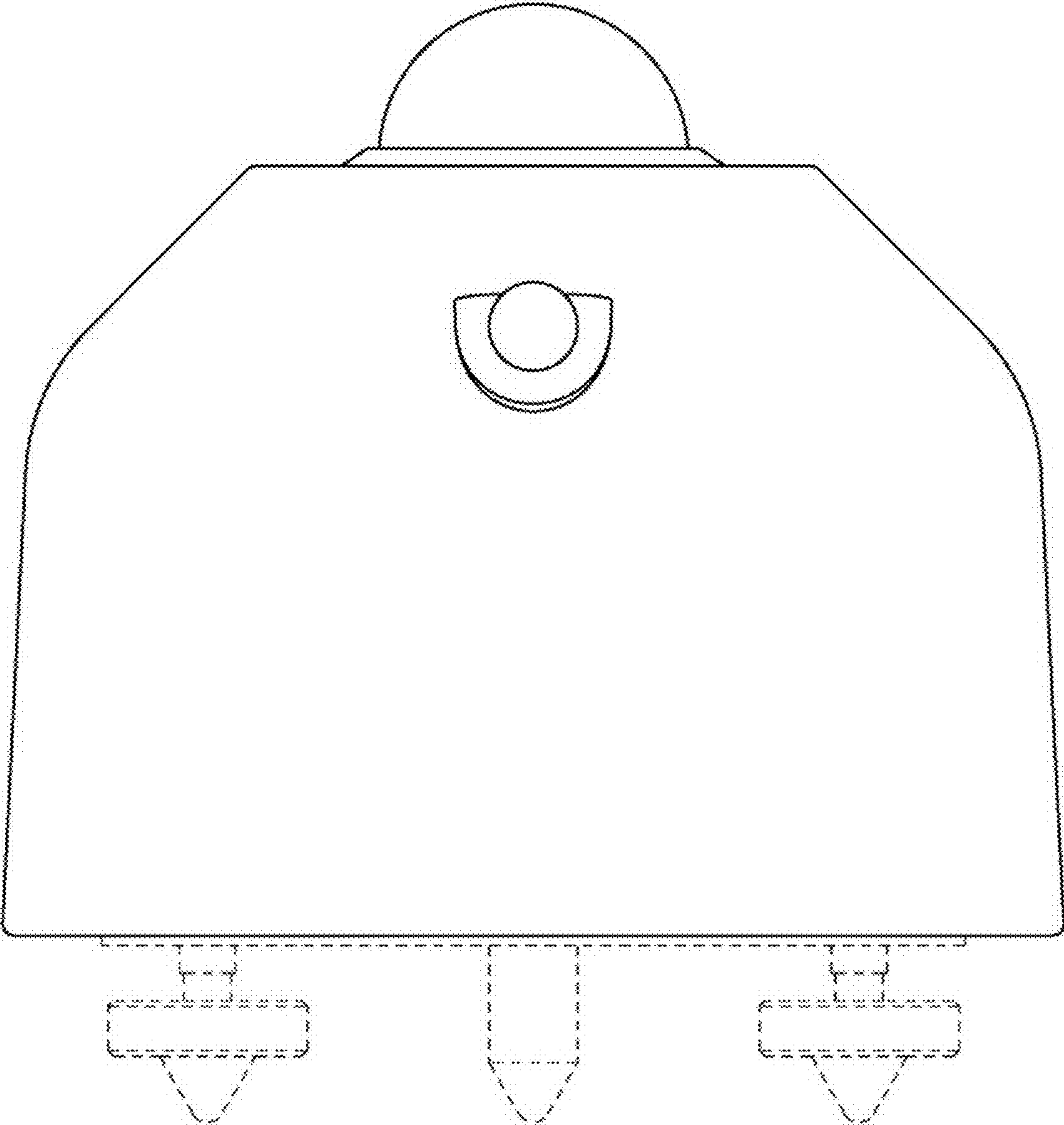
1 Claim, 7 Drawing Sheets



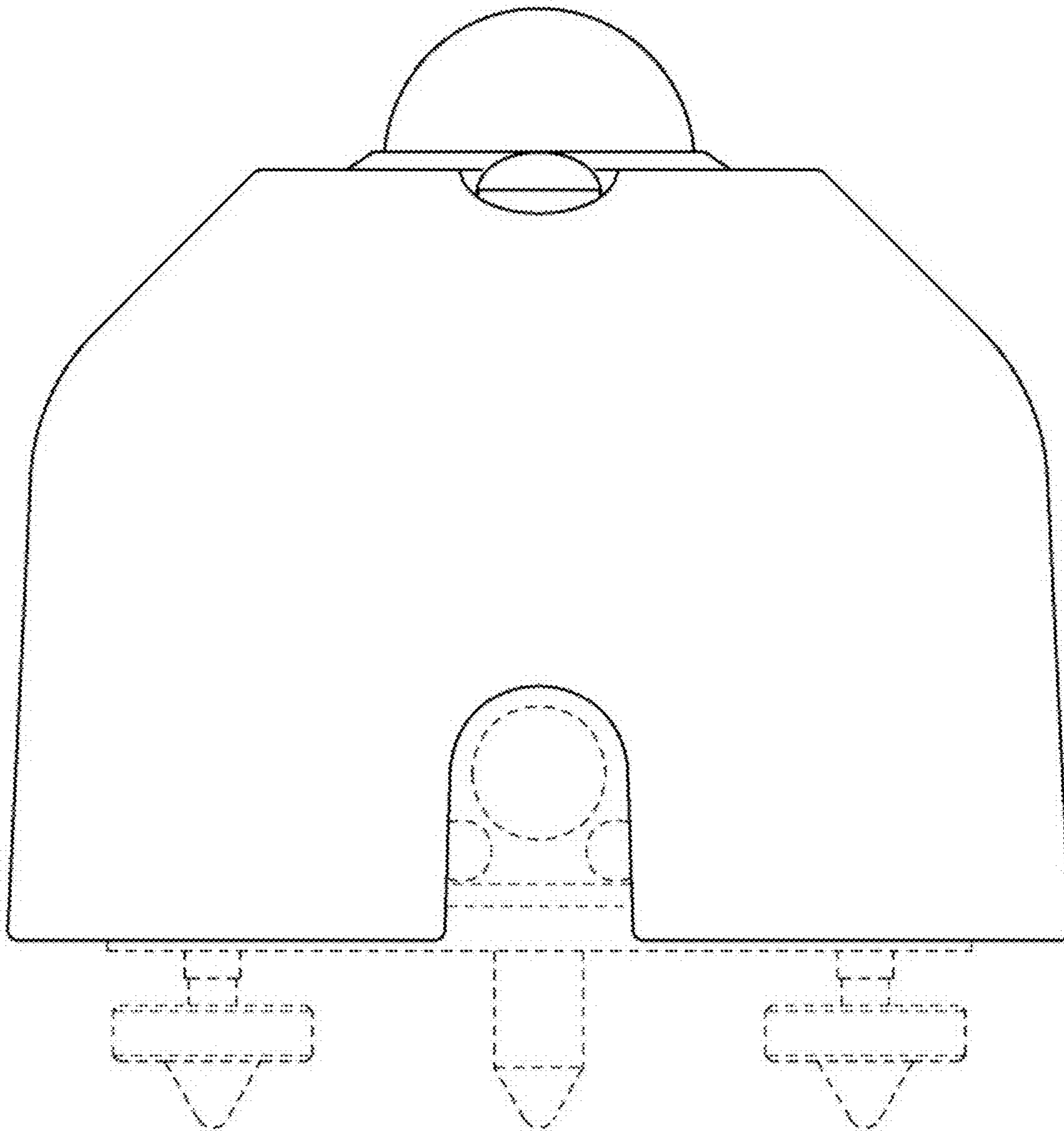
1.1



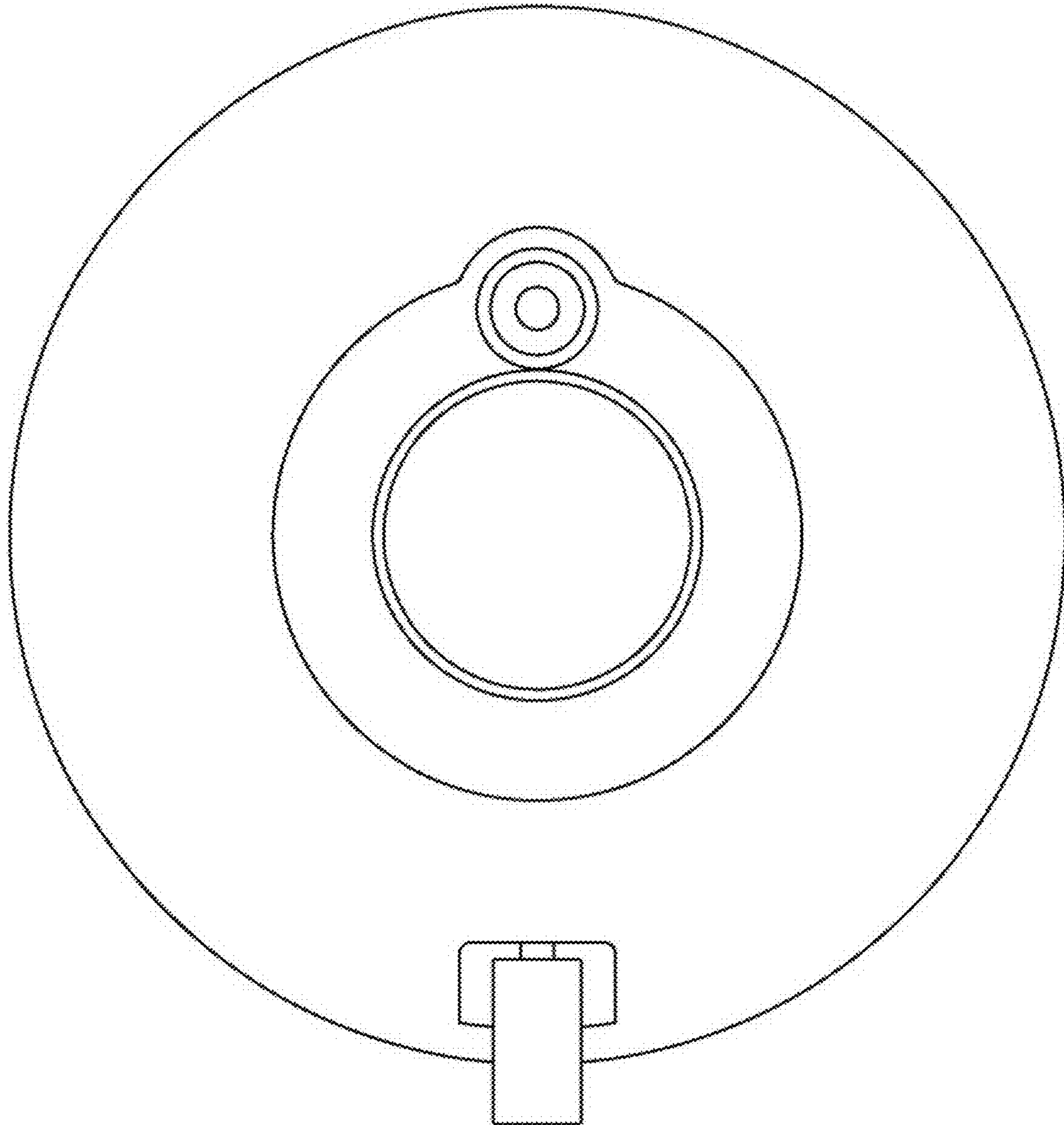
1.2



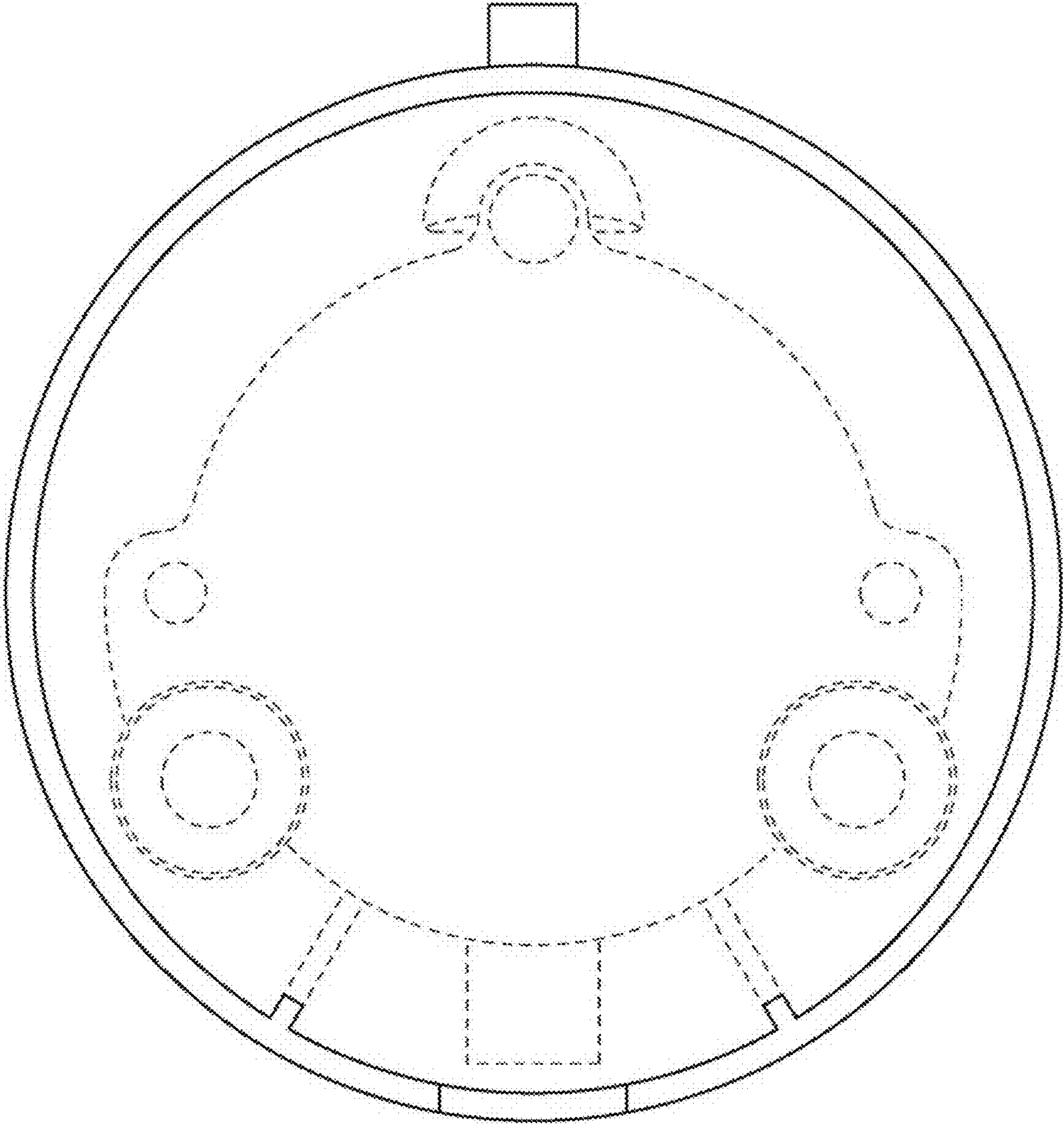
1.3



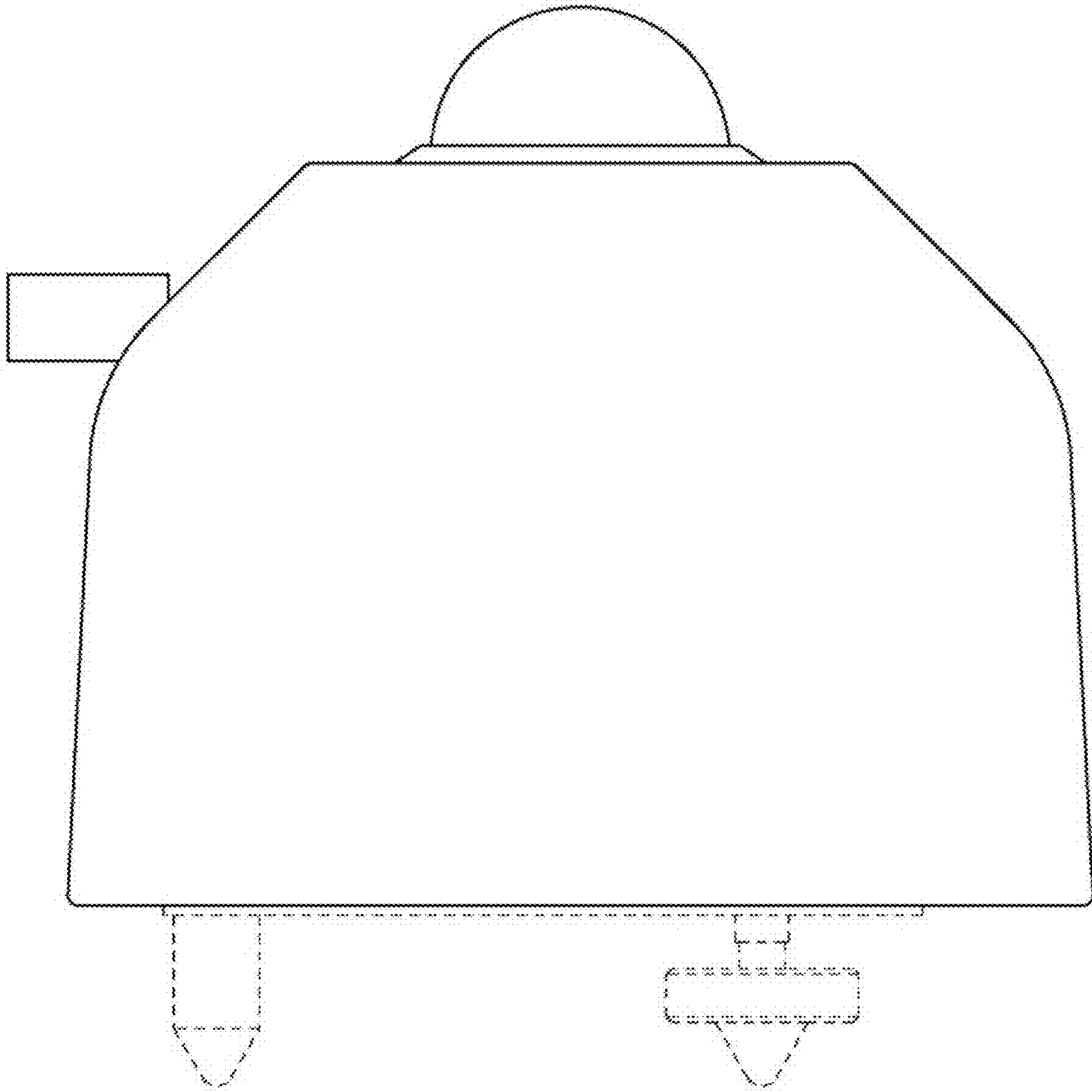
1.4



1.5



1.6



1.7

