



US00D847667S

(12) **United States Design Patent** (10) **Patent No.:** **US D847,667 S**  
**van de Goor** (45) **Date of Patent:** **\*\* \*May 7, 2019**

(54) **BREWING TIMING DEVICE**

(56) **References Cited**

(71) Applicant: **STARBUCKS CORPORATION**,  
Seattle, WA (US)

(72) Inventor: **Mike Willem Frank van de Goor**,  
Harderwijk (NL)

(73) Assignee: **Starbucks Corporation**, Seattle, WA  
(US)

(\*) Notice: This patent is subject to a terminal disclaimer.

(\*\*) Term: **15 Years**

(21) Appl. No.: **29/613,081**

(22) Filed: **Aug. 7, 2017**

(51) **LOC (11) Cl.** ..... **10-03**

(52) **U.S. Cl.**  
USPC ..... **D10/41**

(58) **Field of Classification Search**  
USPC ..... D10/1, 2-3, 5-7, 14-15, 22-28, 40-41,  
D10/46.1, 46.2, 49-50, 52, 55, 59,  
D10/122-124, 126-128, 132;  
D14/170-171, 197, 218, 489-490, 492;  
D15/28; D20/20-21, 29; D7/589;  
D11/160; D21/603

CPC ..... G04B 19/00; G04B 19/04; G04B 19/042;  
G04B 19/044; G04B 19/06; G04B  
19/065; G04B 19/08; G04B 19/085;  
G04B 19/26; G04B 19/264; G04B  
45/0069; G04B 47/02; G04B 47/04;  
G04B 47/048; G04C 3/001; G04C 19/00;  
G04C 19/02; G04C 19/06; G04F 1/00;  
G04F 3/00; G04F 3/02; A47J 31/407;  
A61L 9/12; A61L 9/122; A61L 9/125;  
A61L 9/32

See application file for complete search history.

U.S. PATENT DOCUMENTS

2,941,350	A *	6/1960	Rogovin .....	H04M 1/21 248/115
3,101,587	A *	8/1963	Patrick .....	G04F 1/06 273/148 R
D221,098	S *	7/1971	Appel .....	D10/44
3,707,842	A *	1/1973	Spivak .....	G04F 1/066 340/309.16
3,874,161	A *	4/1975	Asla .....	G04F 1/06 116/28 R
D321,669	S *	11/1991	Hoehne .....	D10/44
6,533,450	B1 *	3/2003	Collins .....	G04F 1/06 368/93
D557,977	S *	12/2007	Neace .....	D7/397
D606,805	S *	12/2009	Neace .....	D7/399
7,858,133	B2 *	12/2010	Neace, Jr. ....	A47J 31/16 210/219
D705,288	S *	5/2014	Zimmerman .....	D15/150

(Continued)

*Primary Examiner* — Sandra S Snapp  
*Assistant Examiner* — Katherine Glennon  
(74) *Attorney, Agent, or Firm* — Knobbe Martens Olson  
& Bear LLP

(57) **CLAIM**

The ornamental design for a brewing timing device, as shown and described.

**DESCRIPTION**

FIG. 1 is a top, front, and right side perspective view of a brewing timing device embodying my design;  
FIG. 2 is a rear, bottom, and left side perspective view thereof;  
FIG. 3 is a front view thereof;  
FIG. 4 is a rear view thereof;  
FIG. 5 is a right side view thereof;  
FIG. 6 is a left side view thereof;  
FIG. 7 is a top view thereof; and,

(Continued)

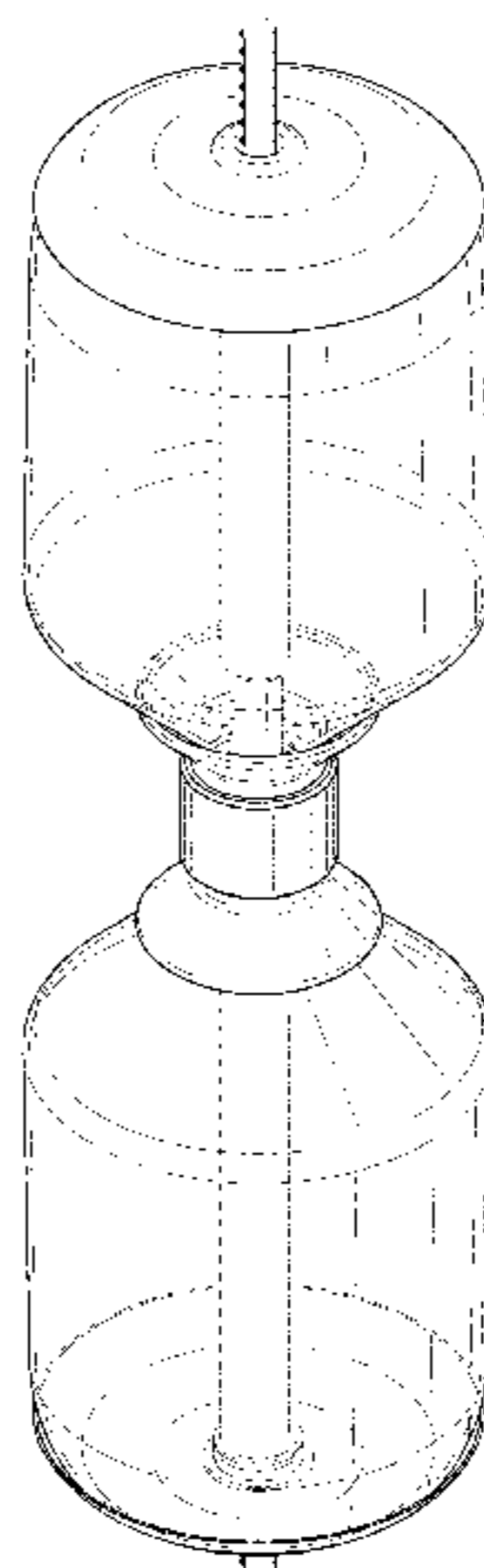


FIG. 8 is a bottom view thereof.  
Portions of the article shown in broken lines form no part of  
the claimed design.

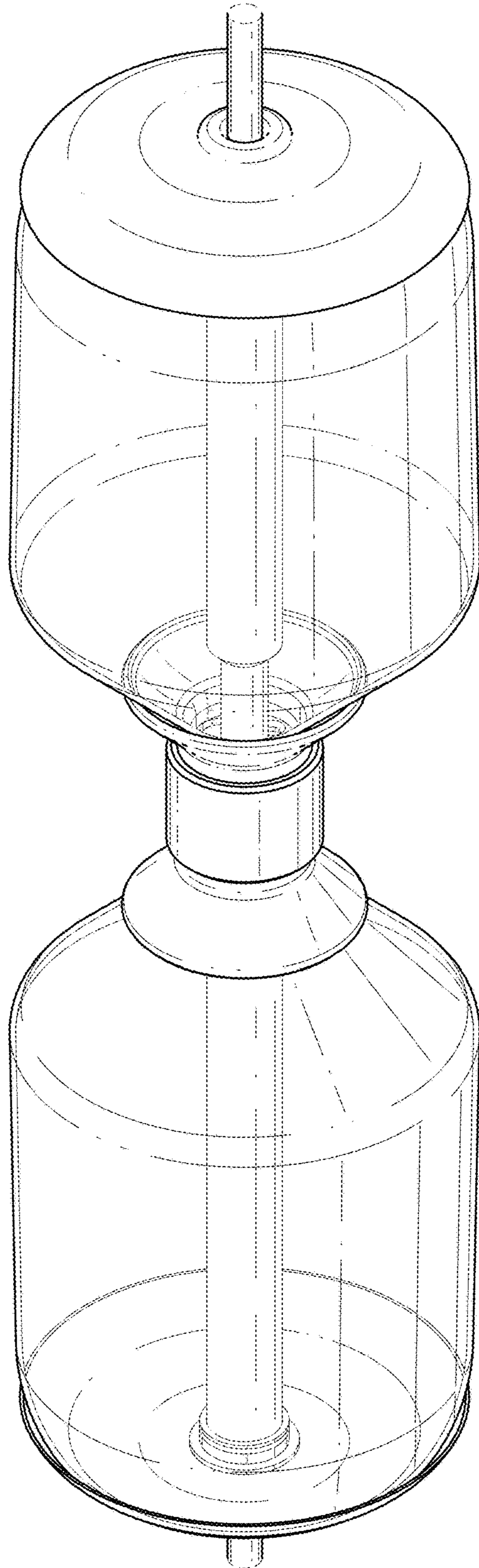
**1 Claim, 8 Drawing Sheets**

(56) **References Cited**

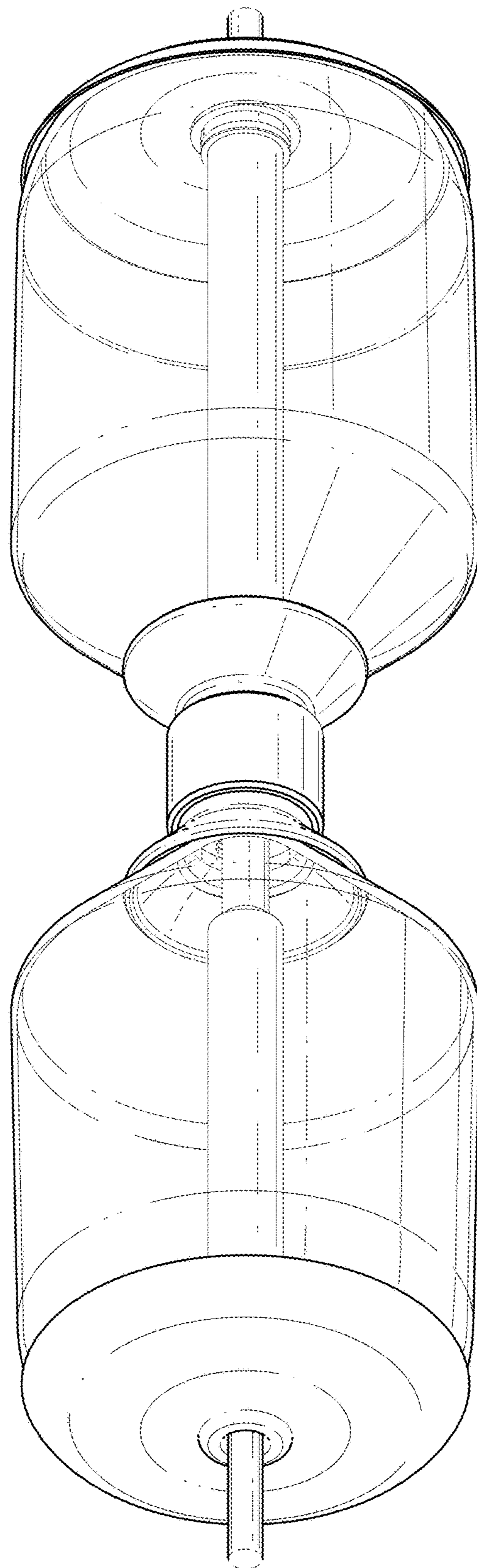
U.S. PATENT DOCUMENTS

D725,975	S *	4/2015	Klenk	.....	D10/46.2
D726,031	S *	4/2015	Bodum	.....	D10/44
D743,816	S *	11/2015	Schroedter	.....	D10/46.2
D766,655	S *	9/2016	Neace, Jr.	.....	D7/397
D779,277	S *	2/2017	Muller	.....	D7/589
D779,889	S *	2/2017	Muller	.....	D7/589
D780,604	S *	3/2017	Phairas	.....	D10/44
D784,772	S *	4/2017	Muller	.....	D7/589
D785,408	S *	5/2017	Muller	.....	D7/589
D823,050	S *	7/2018	Neace, Jr.	.....	D7/399
2007/0104033	A1 *	5/2007	Tsai	.....	G04F 1/06 368/93
2009/0185454	A1 *	7/2009	Allen	.....	G04F 1/06 368/93

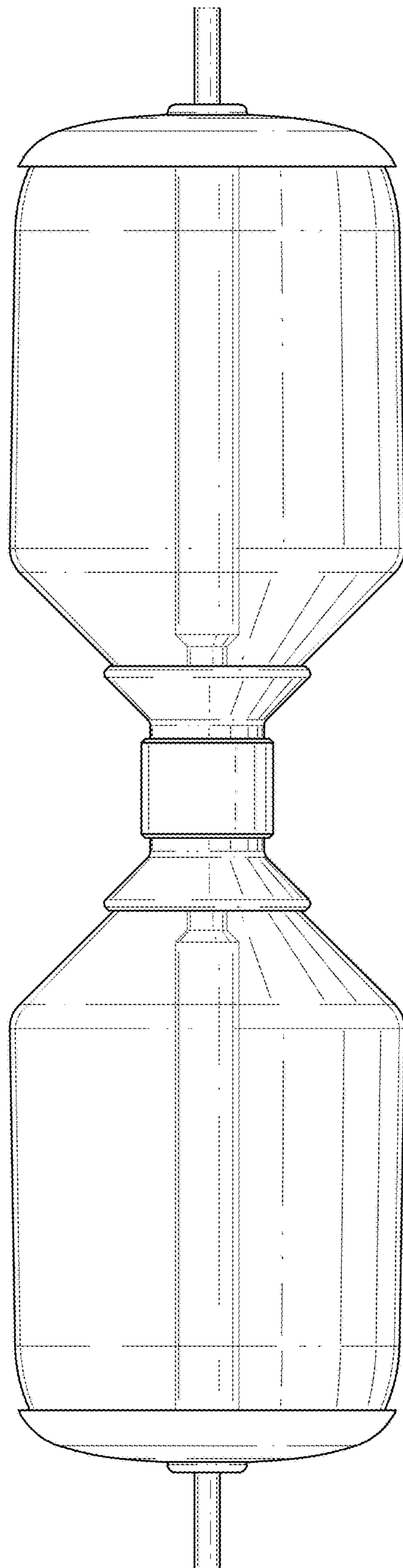
\* cited by examiner



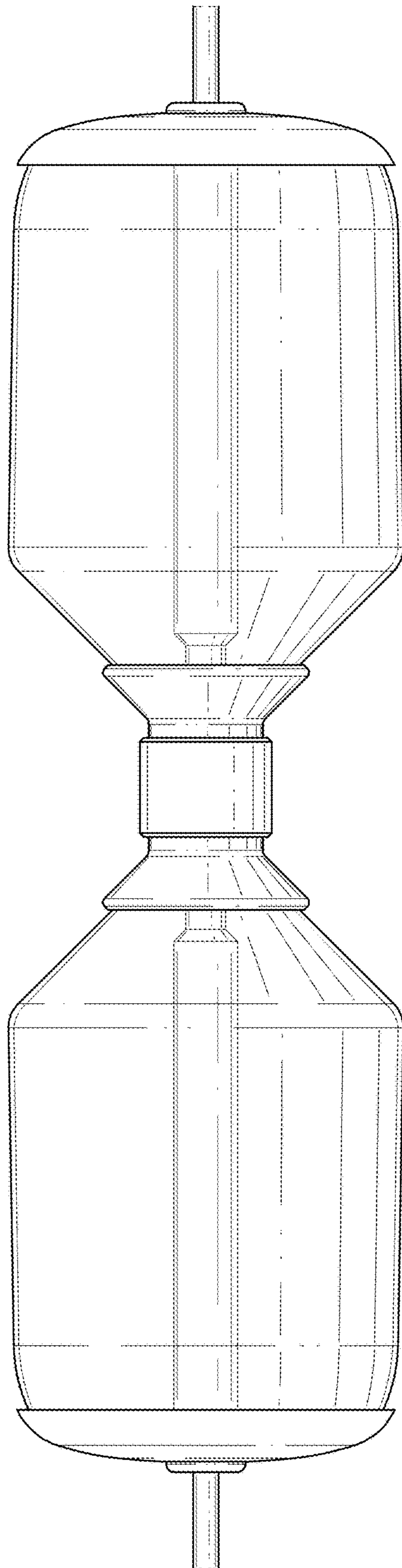
*FIG. 1*



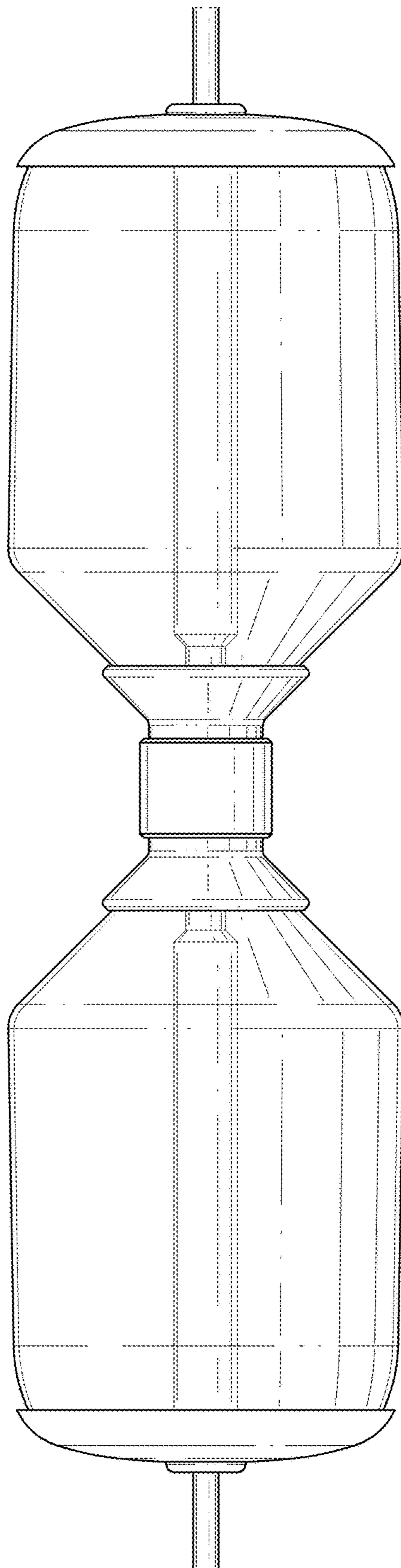
*FIG. 2*



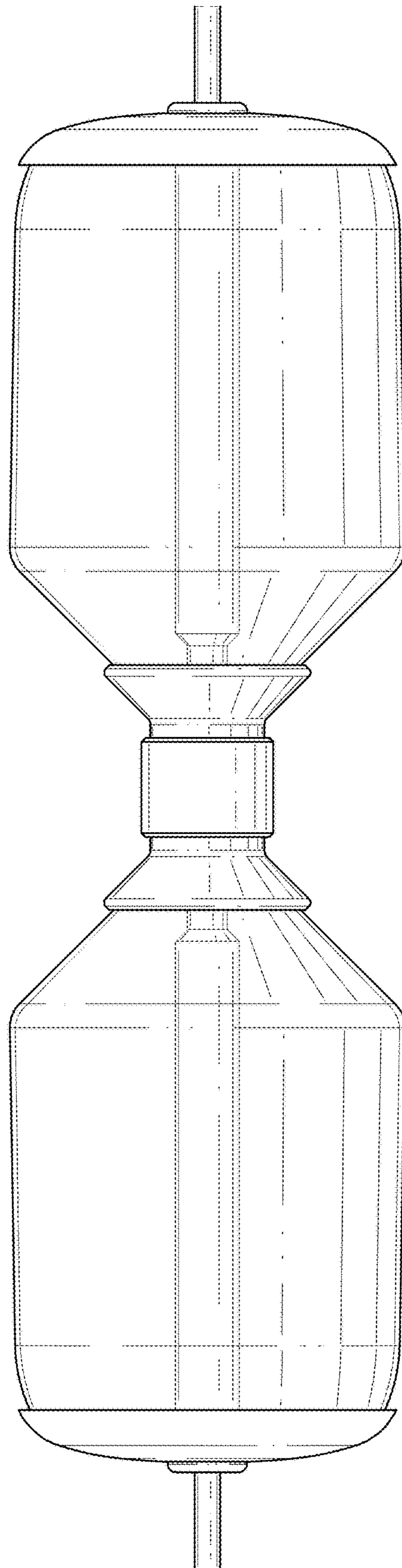
*FIG. 3*



*FIG. 4*

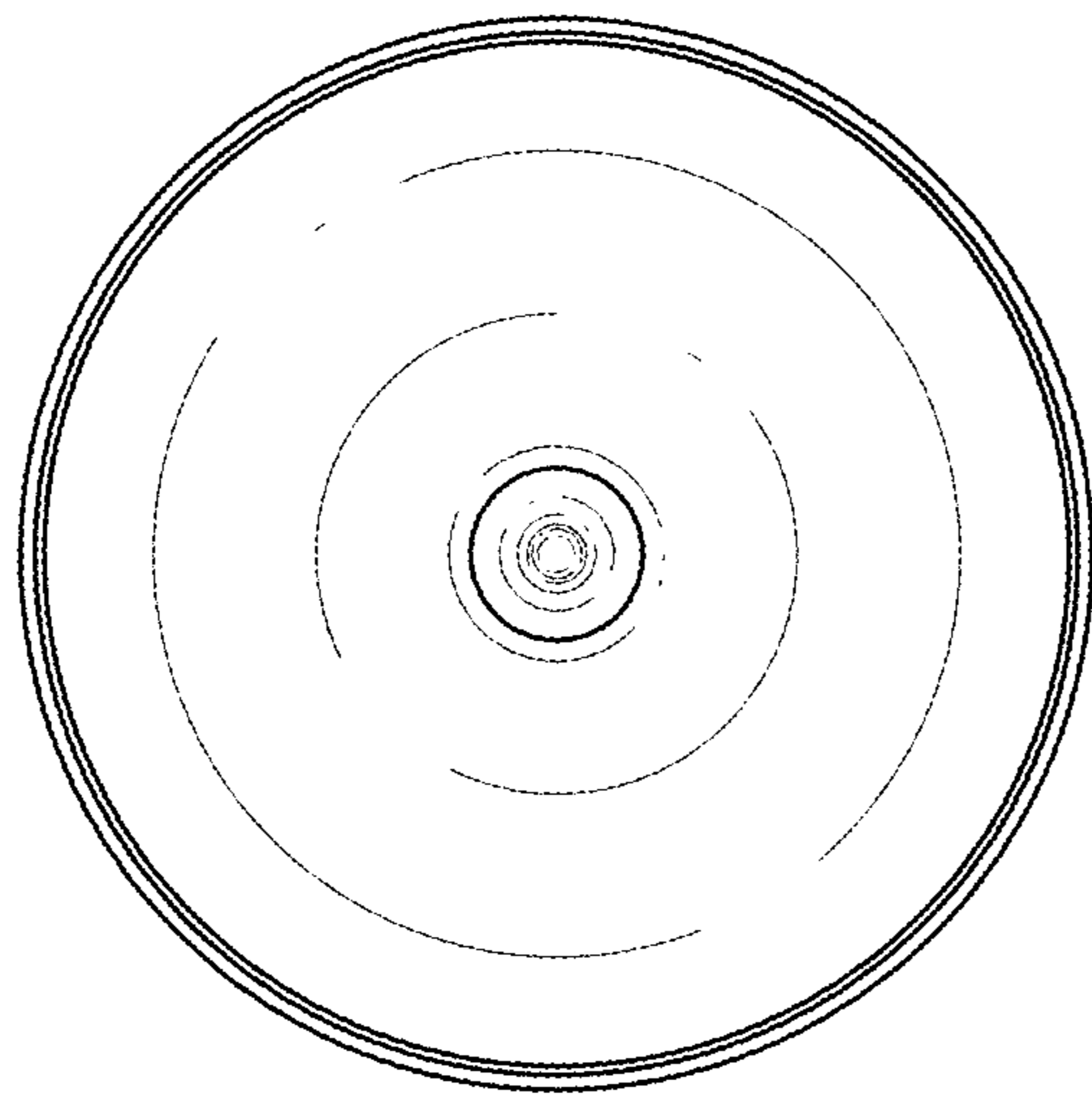


*FIG. 5*

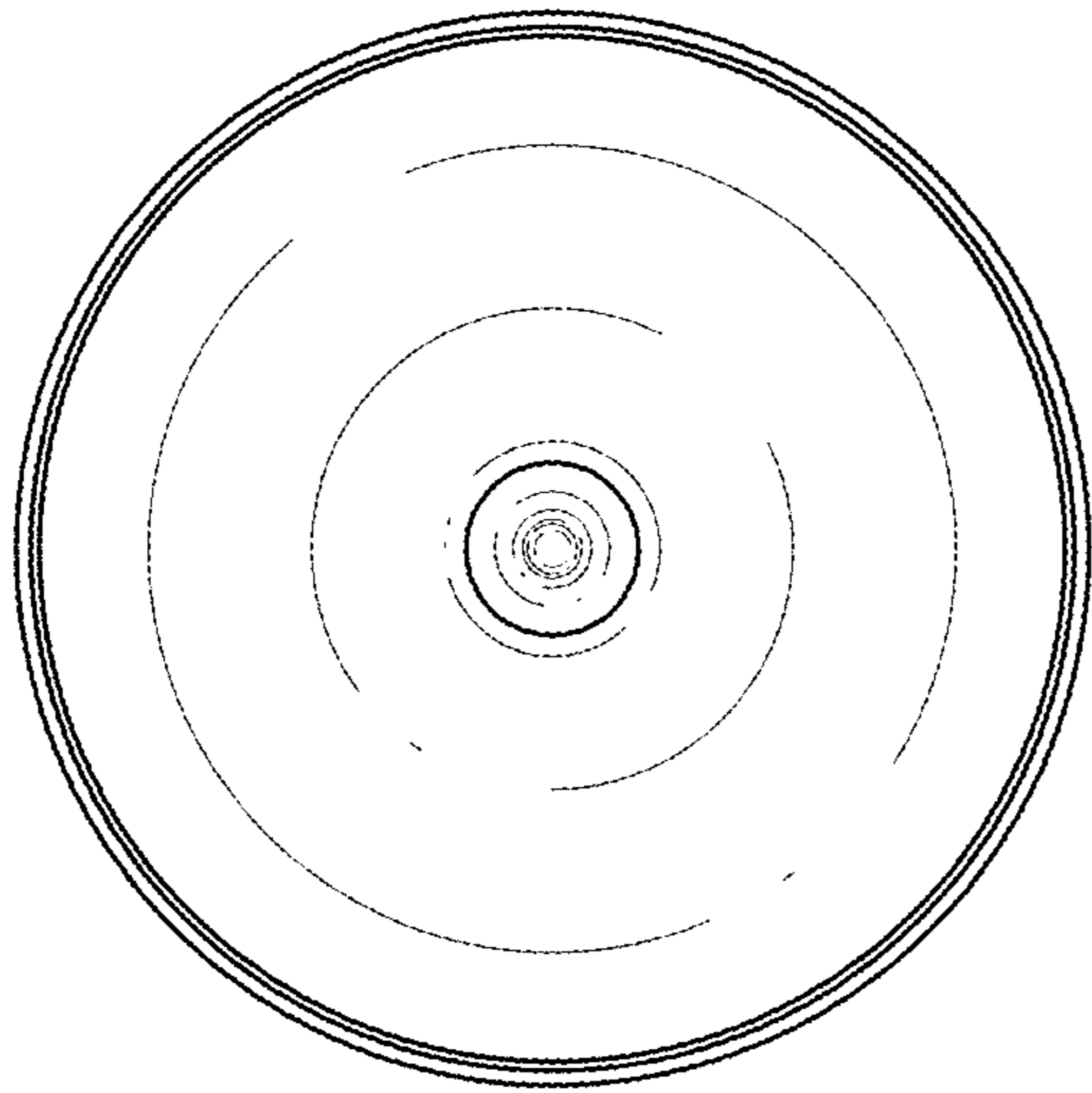


*FIG. 6*





*FIG. 7*



*FIG. 8*