



US00D847666S

(12) **United States Design Patent**
van de Goor

(10) **Patent No.: US D847,666 S**

(45) **Date of Patent: ** *May 7, 2019**

(54) **BREWING TIMING DEVICE**
(71) Applicant: **STARBUCKS CORPORATION**,
Seattle, WA (US)
(72) Inventor: **Mike Willem Frank van de Goor**,
Harderwijk (NL)
(73) Assignee: **Starbucks Corporation**, Seattle, WA
(US)
(*) Notice: This patent is subject to a terminal dis-
claimer.

D221,098 S * 7/1971 Appel D10/44
3,707,842 A * 1/1973 Spivak G04F 1/066
340/309.16
3,874,161 A * 4/1975 Asla G04F 1/06
116/28 R
D321,669 S * 11/1991 Hoehne D10/44
6,533,450 B1 * 3/2003 Collins G04F 1/06
368/93
D557,977 S * 12/2007 Neace D7/397
D606,805 S * 12/2009 Neace D7/399
7,858,133 B2 * 12/2010 Neace, Jr. A47J 31/16
210/219
D705,288 S * 5/2014 Zimmerman D15/150

(Continued)

(**) Term: **15 Years**

Primary Examiner — Sandra S Snapp

(21) Appl. No.: **29/611,381**

Assistant Examiner — Katherine Glennon

(22) Filed: **Jul. 20, 2017**

(74) *Attorney, Agent, or Firm* — Knobbe Martens Olson
& Bear LLP

(51) **LOC (11) Cl.** **10-03**

(52) **U.S. Cl.**
USPC **D10/41**

(58) **Field of Classification Search**

USPC D10/1, 2-3, 5-7, 14-15, 22-28, 40-41,
D10/46.1, 46.2, 49-50, 52, 55, 59,
D10/122-124, 126-128, 132;
D14/170-171, 197, 218, 489-490, 492;
D15/28; D20/20-21, 29; D7/589;
D11/160; D21/603

CPC G04B 19/00; G04B 19/04; G04B 19/042;
G04B 19/044; G04B 19/06; G04B
19/065; G04B 19/08; G04B 19/085;
G04B 19/26; G04B 19/264; G04B
45/0069; G04B 47/02; G04B 47/04;
G04B 47/048; G04C 3/001; G04C 19/00;
G04C 19/02; G04C 19/06; G04F 1/00;
G04F 3/00; G04F 3/02; A47J 31/407;
A61L 9/12; A61L 9/122; A61L 9/125;
A61L 9/32

See application file for complete search history.

(56) **References Cited**

U.S. PATENT DOCUMENTS

2,941,350 A * 6/1960 Rogovin H04M 1/21
248/115
3,101,587 A * 8/1963 Patrick G04F 1/06
273/148 R

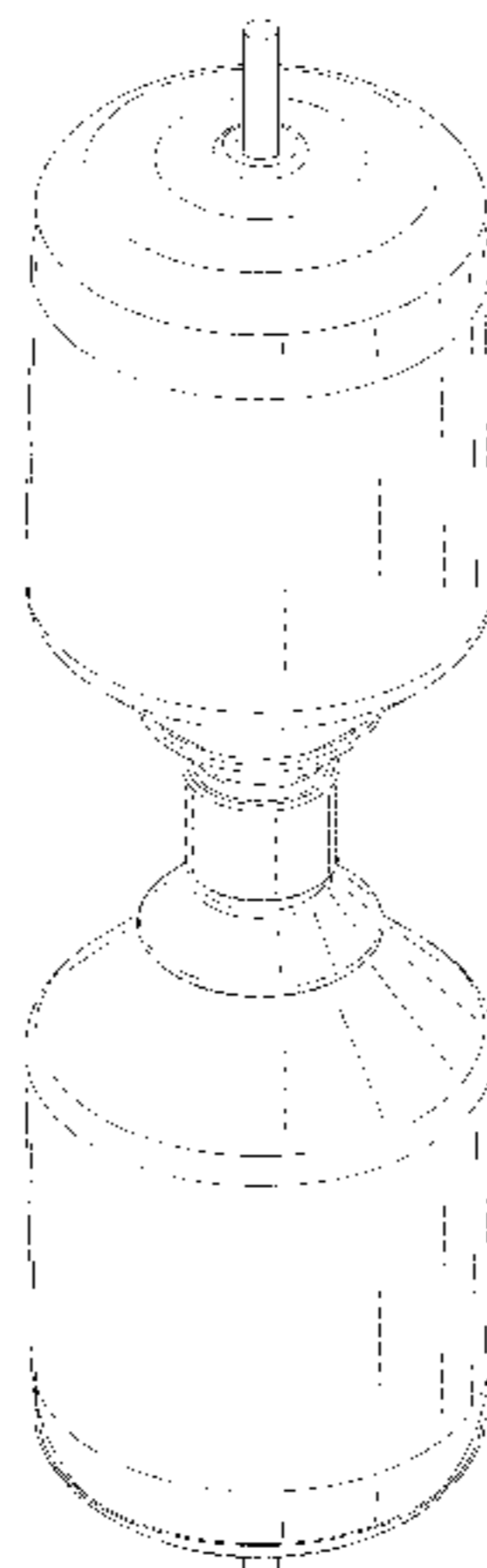
(57) **CLAIM**

The ornamental design for a brewing timing device, as
shown and described.

DESCRIPTION

FIG. 1 is a top, front, and right side perspective view of a
brewing timing device embodying my design;
FIG. 2 is a rear, bottom, and left side perspective view
thereof;
FIG. 3 is a front view thereof;
FIG. 4 is a rear view thereof;
FIG. 5 is a right side view thereof;
FIG. 6 is a left side view thereof;
FIG. 7 is a top view thereof; and,
FIG. 8 is a bottom view thereof.
Portions of the article shown in broken lines form no part of
the claimed design.

1 Claim, 8 Drawing Sheets



(56)

References Cited

U.S. PATENT DOCUMENTS

D725,975	S *	4/2015	Klenk	D10/46.2
D726,031	S *	4/2015	Bodum	D10/44
D743,816	S *	11/2015	Schroedter	D10/46.2
D766,655	S *	9/2016	Neace, Jr.	D7/397
D779,277	S *	2/2017	Muller	D7/589
D779,889	S *	2/2017	Muller	D7/589
D780,604	S *	3/2017	Phairas	D10/44
D784,772	S *	4/2017	Muller	D7/589
D785,408	S *	5/2017	Muller	D7/589
D823,050	S *	7/2018	Neace, Jr.	D7/399
2007/0104033	A1 *	5/2007	Tsai	G04F 1/06 368/93
2009/0185454	A1 *	7/2009	Allen	G04F 1/06 368/93

* cited by examiner

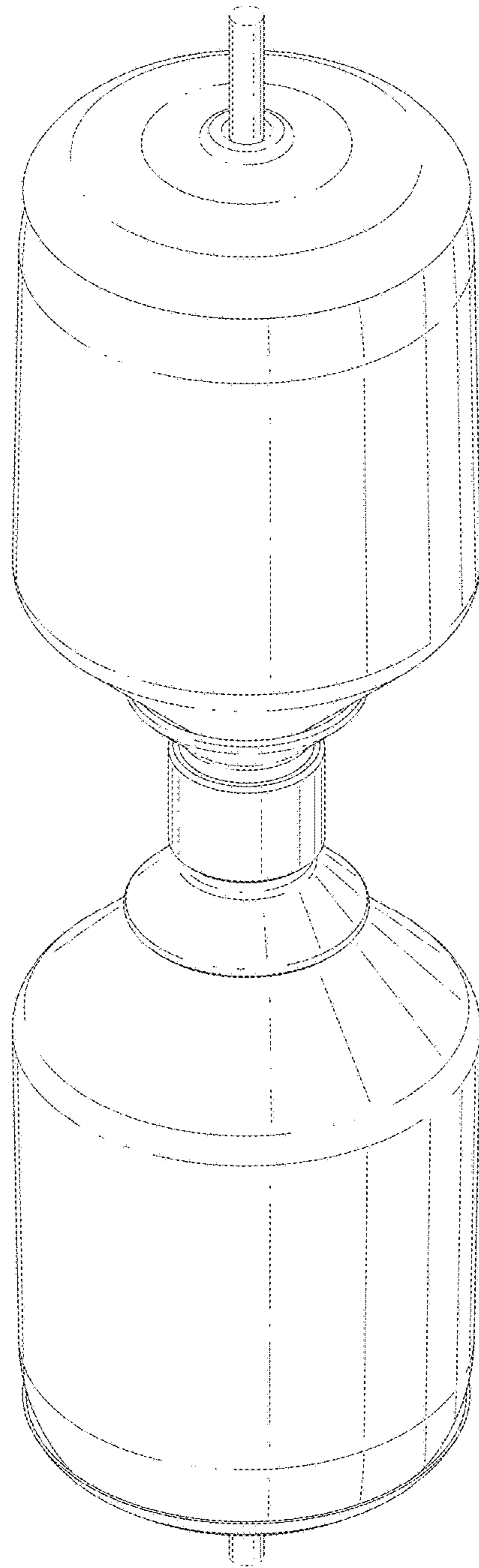


FIG. 1

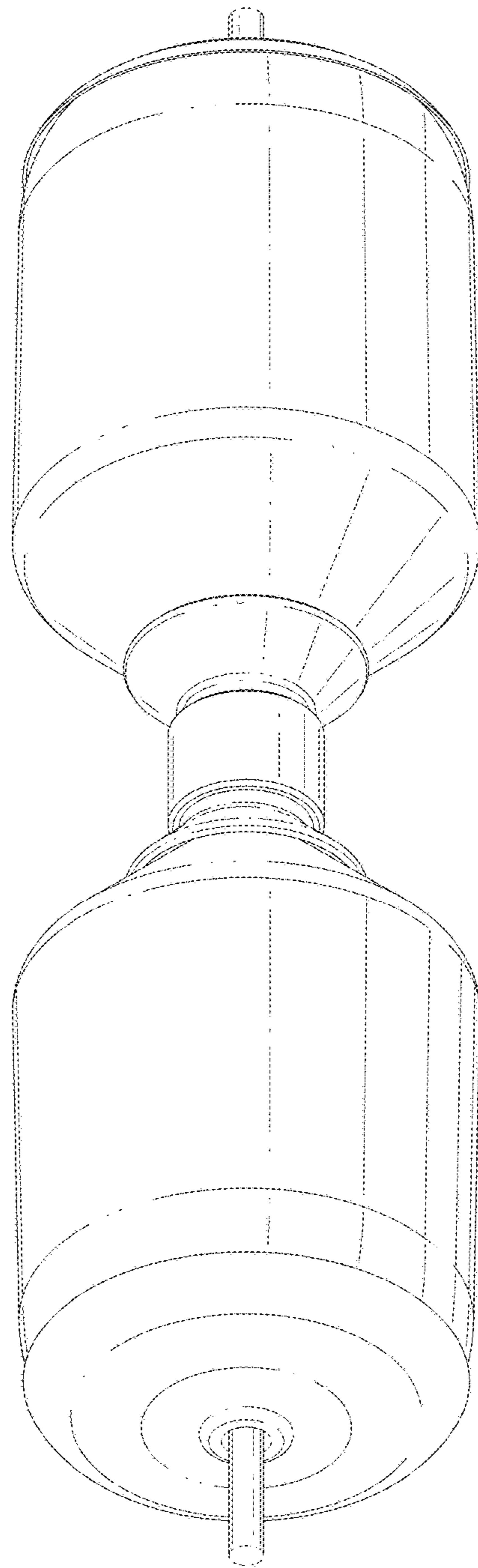


FIG. 2

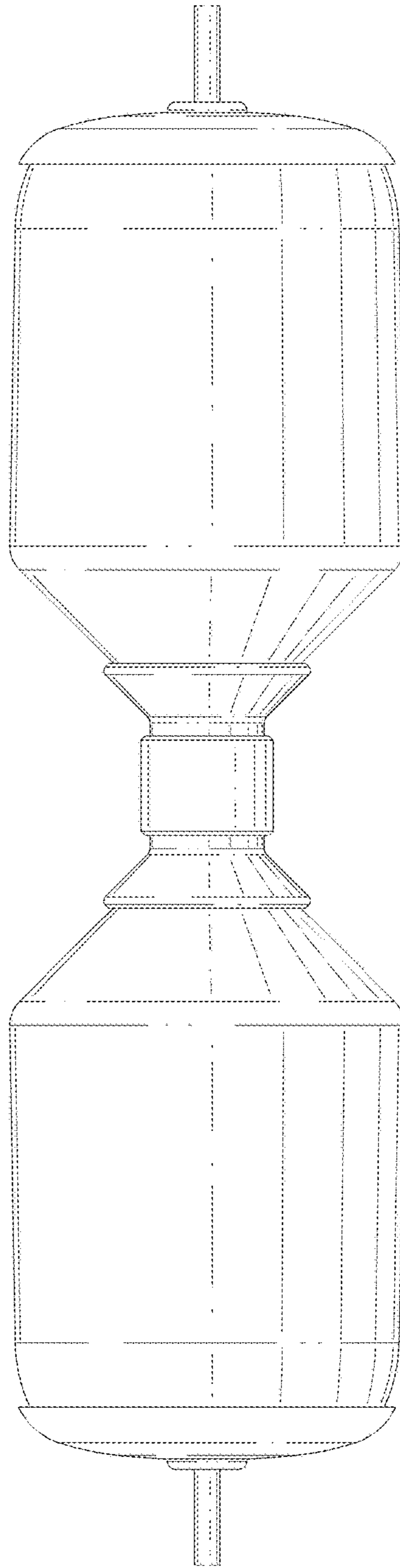


FIG. 3

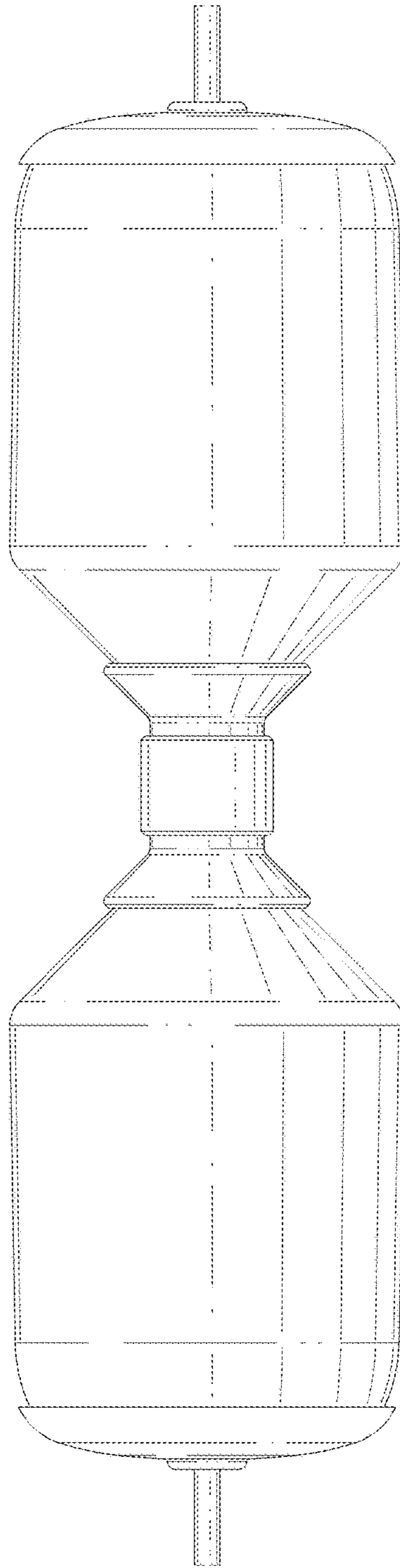


FIG. 4

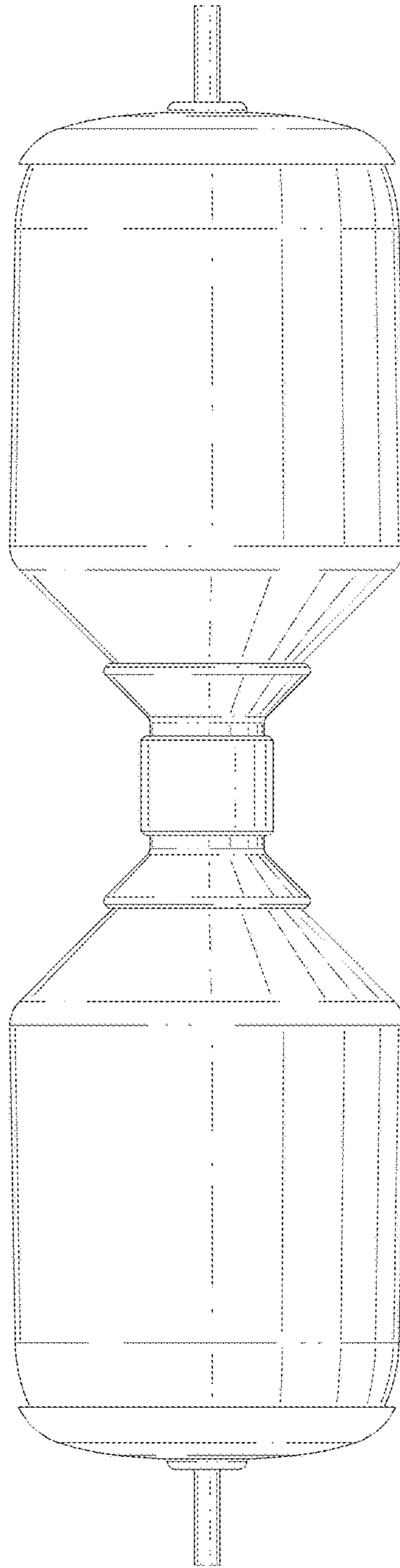


FIG. 5

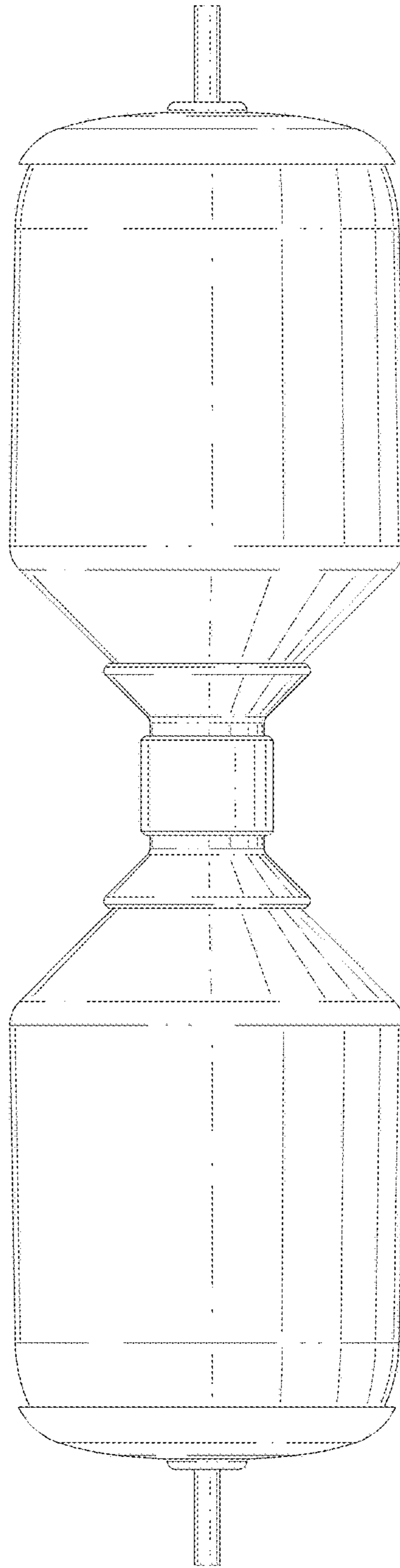


FIG. 6

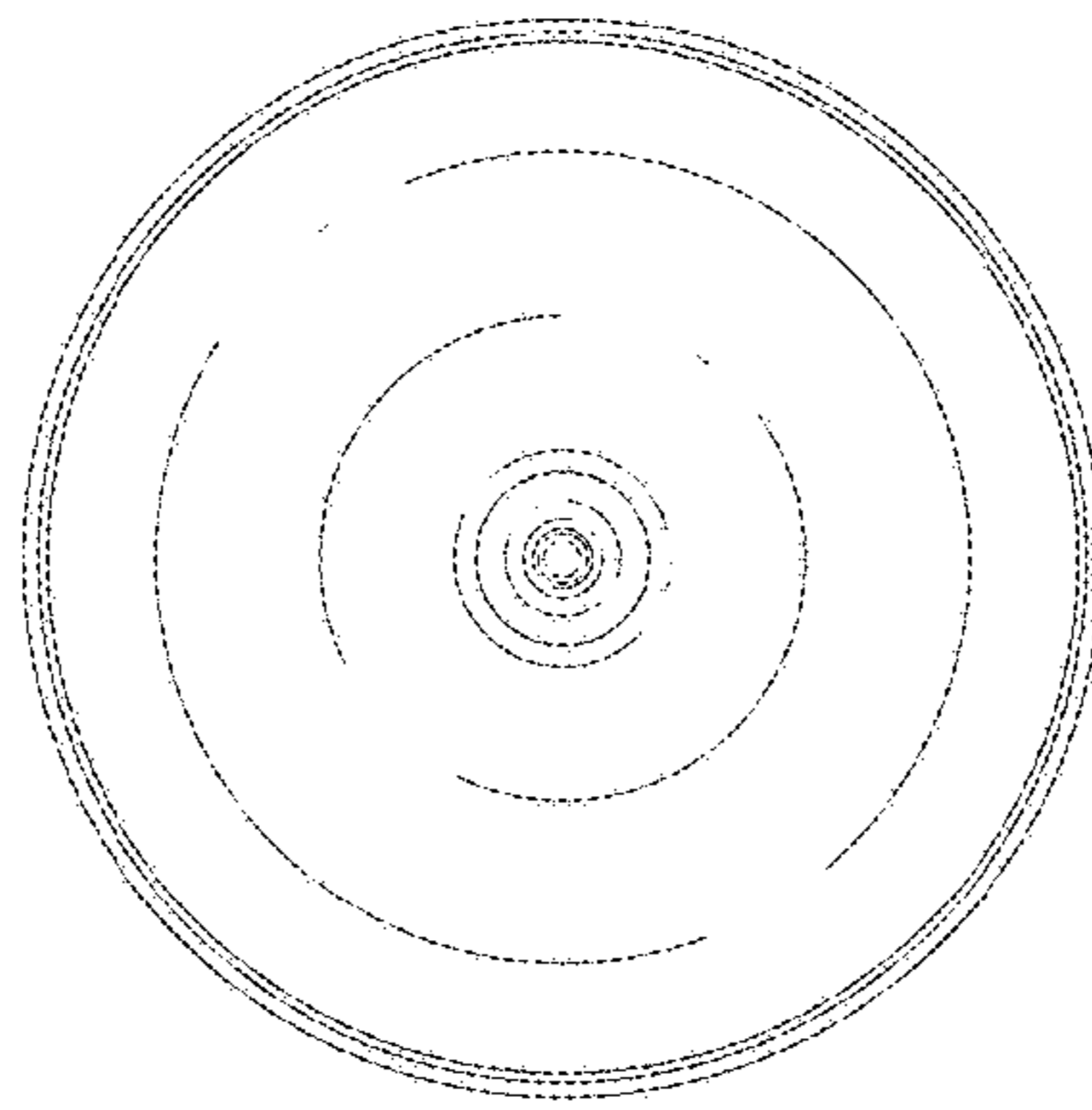


FIG. 7

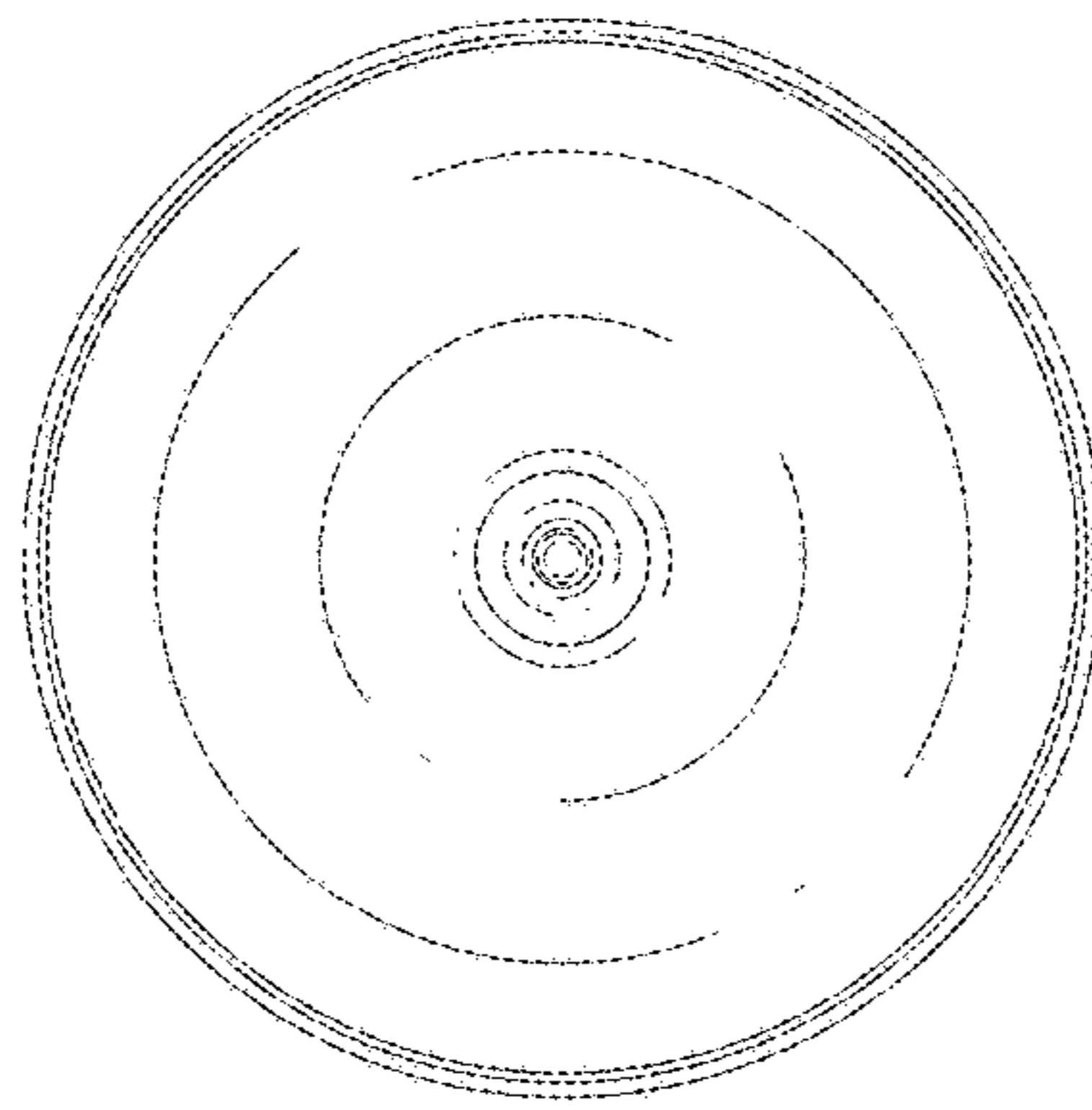


FIG. 8