



US00D847665S

(12) **United States Design Patent** (10) **Patent No.:** **US D847,665 S**
Behling et al. (45) **Date of Patent:** **** May 7, 2019**

(54) **WATCH MOVEMENT IN A WATCH CASE**

(71) Applicant: **LVMH Swiss Manufactures SA**, La Chaux-de-Fonds (CH)

(72) Inventors: **Christoph Behling**, London (GB);
Gaylord Geneau de Lamarliere, Le Cerneux-Veusil (CH)

(73) Assignee: **LVMH SWISS MANUFACTURES SA**, La Chaux-de-Fonds (CH)

(**) Term: **15 Years**

(21) Appl. No.: **29/616,788**

(22) Filed: **Sep. 8, 2017**

(30) **Foreign Application Priority Data**

Mar. 17, 2017 (WO) 2273601

(51) **LOC (11) Cl.** **10-02**

(52) **U.S. Cl.**
USPC **D10/39; D10/129**

(58) **Field of Classification Search**
USPC D10/1-3, 6, 14-16, 23, 30-39, 41, 65,
D10/70, 122-132; D11/95, 101, 107,
D11/109, 110, 224; D14/344
See application file for complete search history.

(56) **References Cited**

U.S. PATENT DOCUMENTS

- D457,818 S * 5/2002 Avranches D10/39
- 6,799,886 B2 * 10/2004 Carrard G04B 27/08
368/281
- D519,390 S * 4/2006 Lovegrove D10/39
- D536,628 S * 2/2007 Roth D10/38
- D570,230 S * 6/2008 Monachon D10/32
- D611,866 S * 3/2010 Dias D10/129
- D629,322 S * 12/2010 Behling D10/124
- D636,692 S * 4/2011 Pospieszny D10/129

- D658,516 S * 5/2012 Mille D10/39
- D673,868 S * 1/2013 Mille D10/39
- D708,075 S * 7/2014 Mille D10/39
- D725,500 S * 3/2015 Biver D10/124
- D733,583 S * 7/2015 Monachon D10/126
- D742,271 S * 11/2015 Boulangeot D10/129
- D743,814 S * 11/2015 Miodrag D10/125
- D744,864 S * 12/2015 Behling D10/30

(Continued)

OTHER PUBLICATIONS

Tag Heuer Carrera Calibre 02 Tourbillon Chronograph | posted at
timezone.com Oct. 7, 2015 © 2018 Bourne in Time Inc.[online][stie
visited May 23, 2018]. Available from internet: <<http://forums.timezone.com/index.php?t=tree&goto=7115945&rid=12189>> (Year:
2015).*

Primary Examiner — Sandra S Snapp
Assistant Examiner — Katherine Glennon
(74) *Attorney, Agent, or Firm* — Brinks Gilson & Lione;
John C. Freeman

(57) **CLAIM**

The ornamental design for a watch movement in a watch case, as shown and described.

DESCRIPTION

FIG. 1 is a perspective view of a watch movement according to the present invention;
FIG. 2 is a top view;
FIG. 3 is a bottom side view;
FIG. 4 is a front side view;
FIG. 5 is a rear view;
FIG. 6 is a left side view; and,
FIG. 7 is a right side view.
The ornamental design which is claimed is shown in solid lines in the drawings. The broken lines showing of portions of the article form no part of the claimed design.

1 Claim, 5 Drawing Sheets



(56)

References Cited

U.S. PATENT DOCUMENTS

D744,865 S * 12/2015 Behling D10/126
D756,245 S * 5/2016 Mille D10/126
D781,722 S * 3/2017 Behling D10/38
9,645,550 B2 * 5/2017 Corthesy G04B 17/285
D800,578 S * 10/2017 Behling D10/30
2005/0122844 A1 * 6/2005 Ruchonnet G04B 1/00
368/76
2013/0148479 A1 * 6/2013 Peters G04B 13/00
368/127
2017/0031321 A1 * 2/2017 Buttet G04B 19/06

* cited by examiner



FIG. 1



FIG. 2

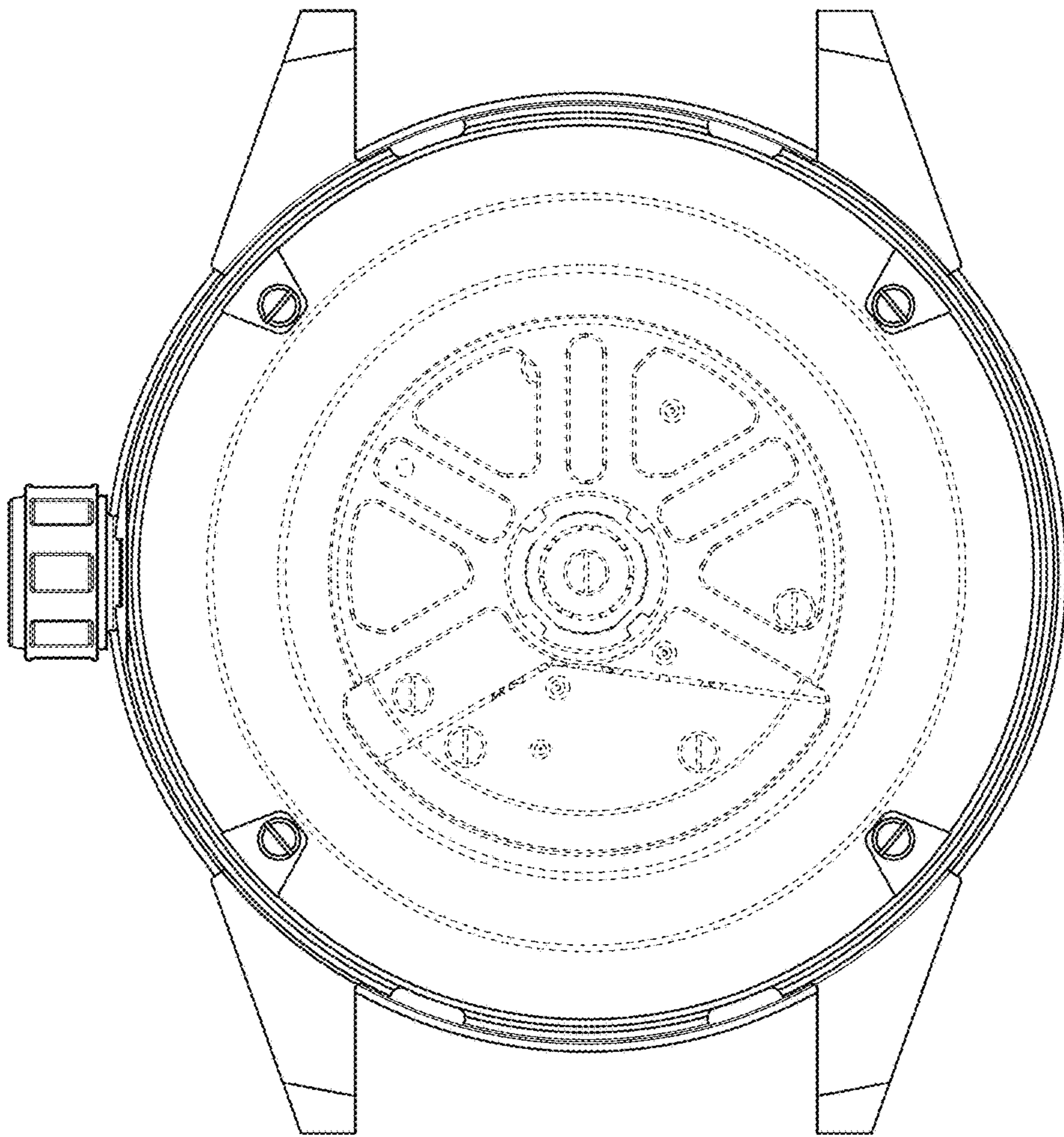


FIG. 3

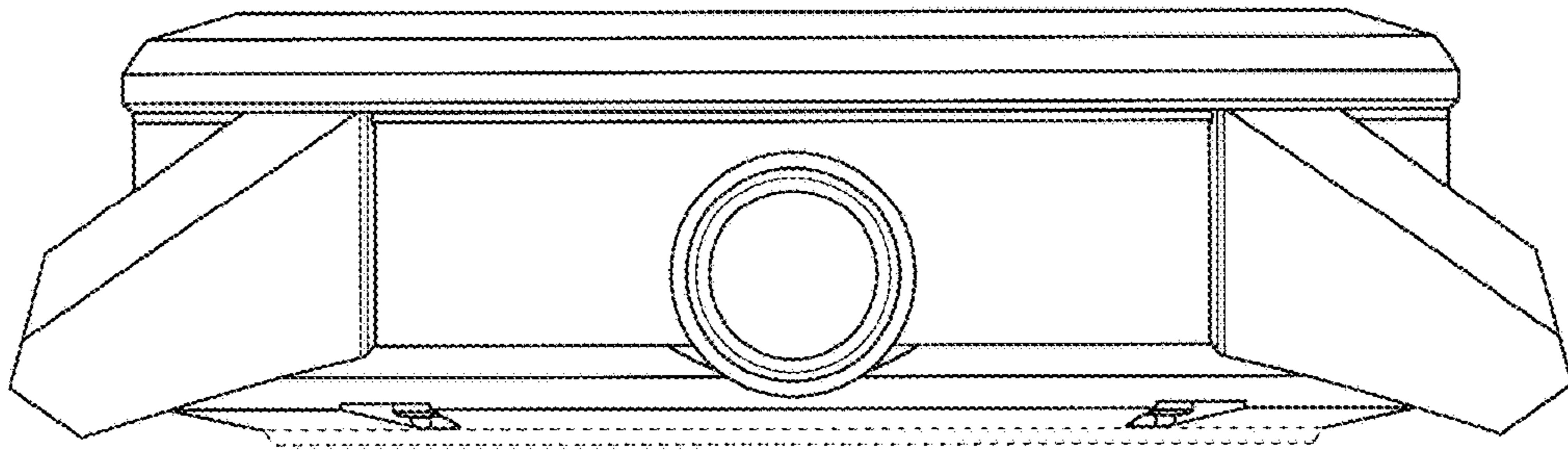


FIG. 4

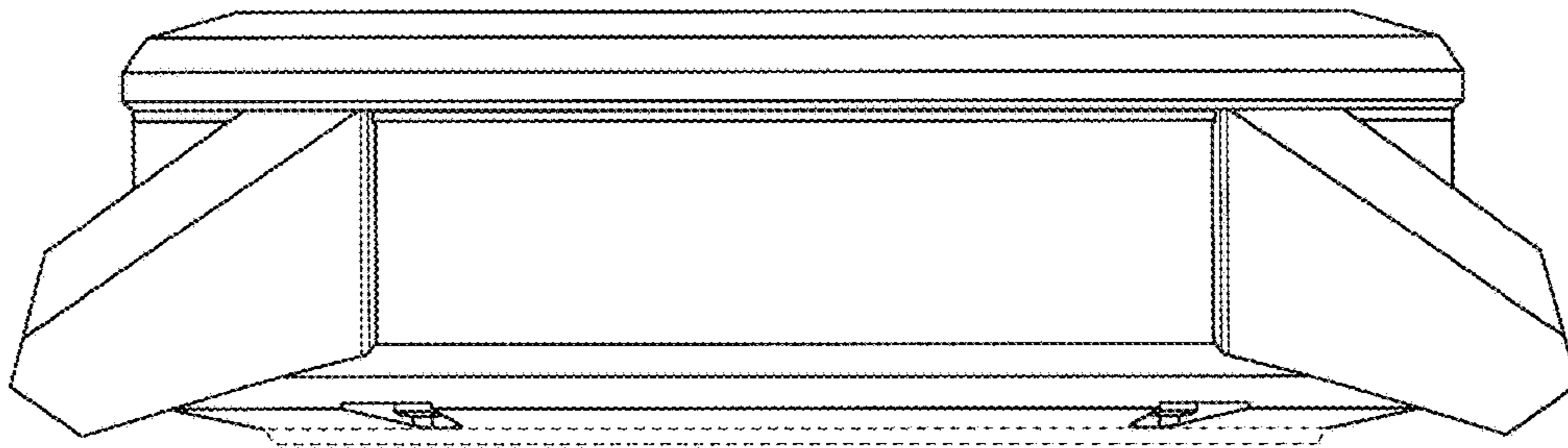


FIG. 5

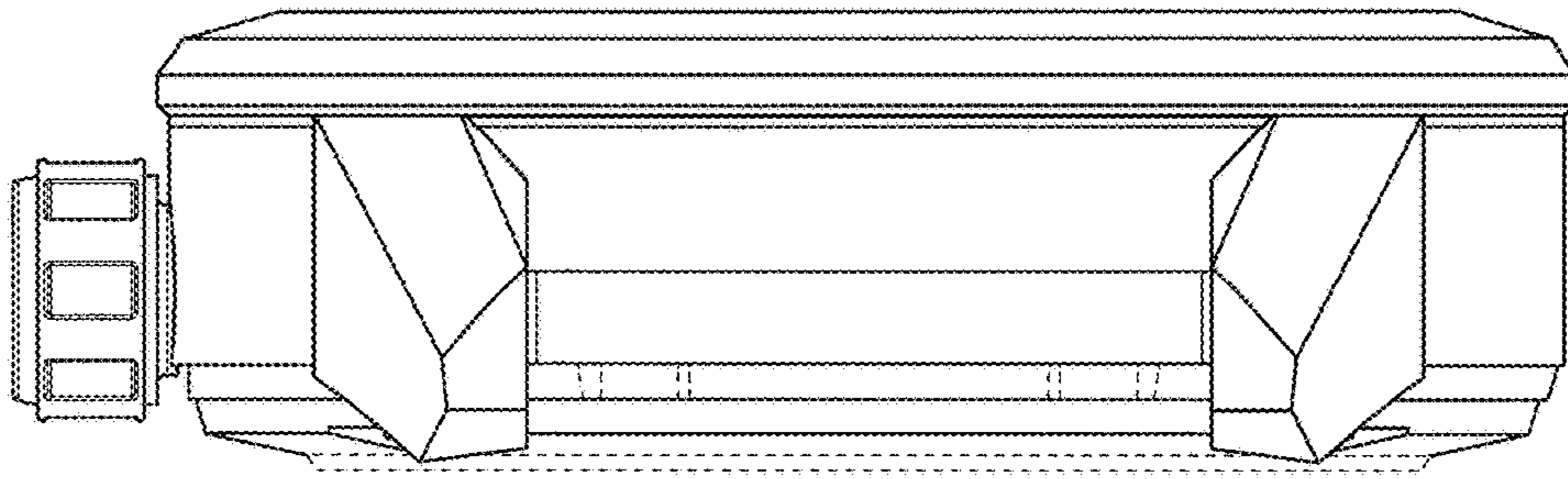


FIG. 6

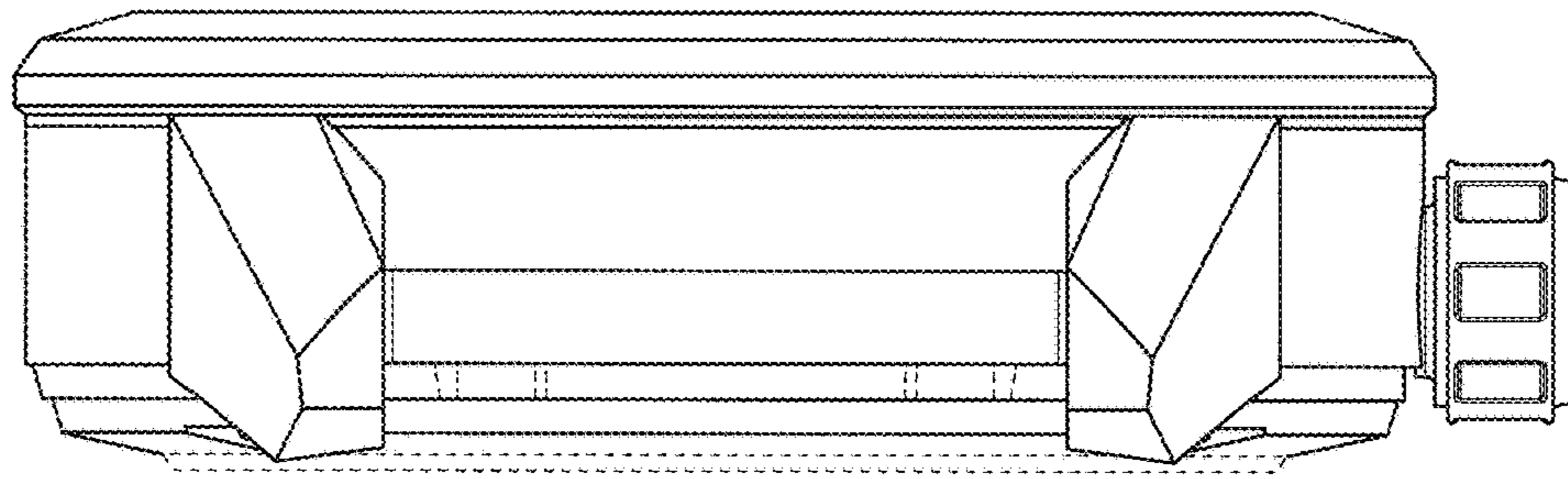


FIG. 7