



US00D847662S

(12) **United States Design Patent** (10) **Patent No.:** **US D847,662 S**
Ciobanu (45) **Date of Patent:** **** May 7, 2019**

(54) **WATCH CASE**
(71) Applicant: **Richemont International SA,**
Villars-sur-Glane (CH)
(72) Inventor: **Catinca Ciobanu,** Gex (FR)
(73) Assignee: **Richemont International SA,**
Villars-sur-Glane (CH)

D634,652 S * 3/2011 Jorst D10/39
D656,044 S * 3/2012 Favre D10/38
D663,221 S * 7/2012 Gueit D10/38
D694,656 S * 12/2013 Inoue D10/38
D698,268 S * 1/2014 Mijatovic D10/32
D717,181 S * 11/2014 Vukcevic D10/38
D782,338 S * 3/2017 White D10/39
D784,166 S * 4/2017 Kishino D10/38
D809,405 S * 2/2018 Bonati D10/38

(Continued)

(**) Term: **15 Years**

OTHER PUBLICATIONS

(21) Appl. No.: **29/622,365**
(22) Filed: **Oct. 17, 2017**
(51) **LOC (11) Cl.** **10-02**
(52) **U.S. Cl.**
USPC **D10/30**
(58) **Field of Classification Search**
USPC D10/1-2, 10, 30-33, 36-39, 98-99,
D10/122-124, 126-128, 132; D11/3;
D14/344; D24/167, 186
CPC G04C 19/00; G04C 19/02; G04B 19/00;
G04B 19/025; G04B 19/08; G04B
19/048; G04B 19/04; G04B 19/046;
G04B 19/06; G04B 19/065; G04B
19/082; G04B 19/085; G04B 19/087;
G04B 19/10; G04B 19/103; G04B
19/106; G04B 47/042; G04B 19/12;
G04B 19/18; G04B 19/223; G04B 19/23;
G04B 19/24; G04B 19/241; G04B
19/243; G04D 3/04
See application file for complete search history.

SIHH 2018 Vacheron Constantin FiftySix | posted at watchesbysjx.com Jan. 2018 © SJX 2011-2018 [online][site visited Sep. 12, 2018]. Available from internet: <<http://watchesbysjx.com/2018/01/vacheron-constantin-introduces-the-fiftysix-collection.html>> (Year: 2018).*

(Continued)

Primary Examiner — Sandra S Snapp
Assistant Examiner — Katherine Glennon
(74) *Attorney, Agent, or Firm* — Taft Stettinius & Hollister LLP

(57) **CLAIM**

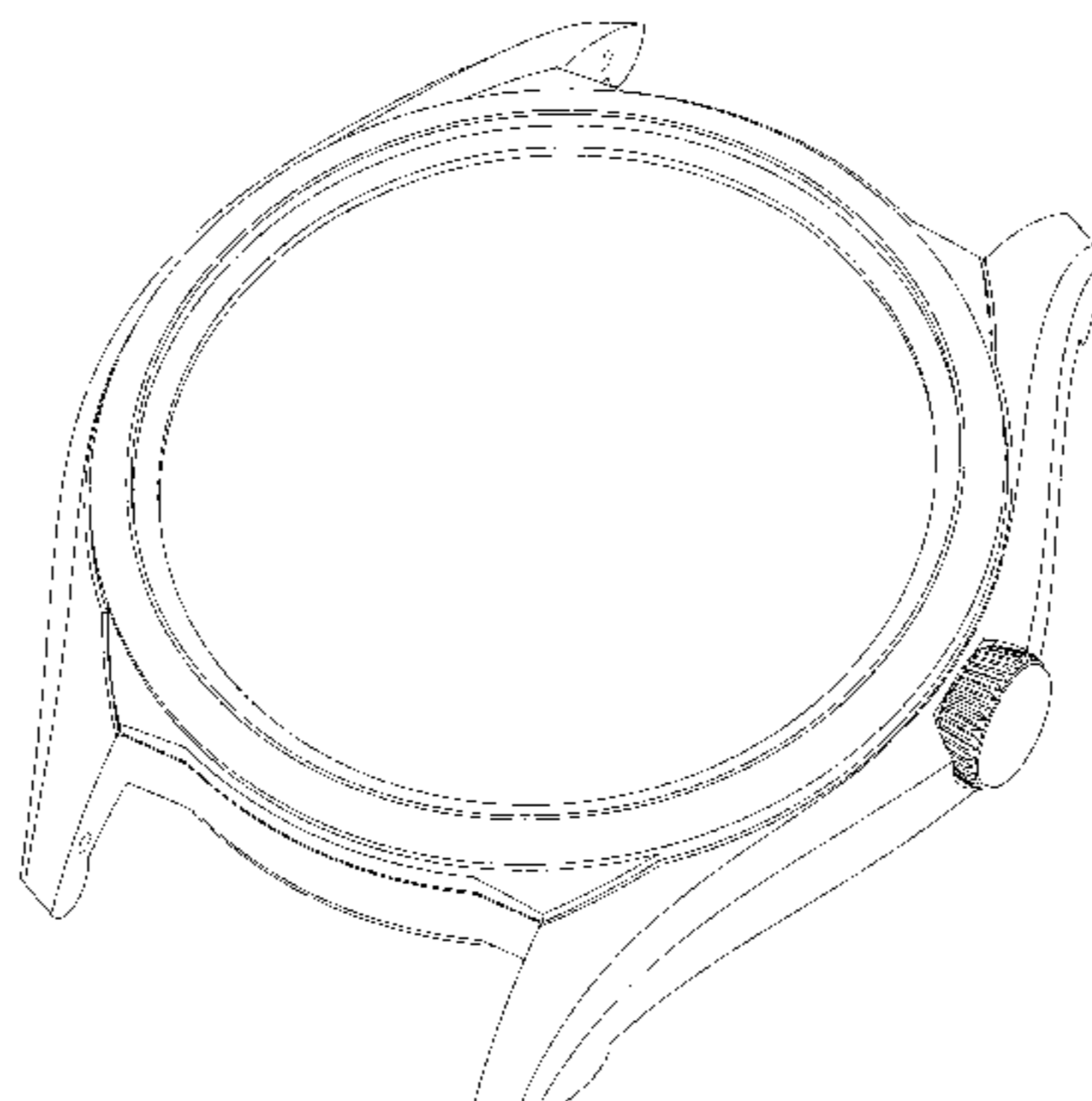
The ornamental design for a watch case, as shown and described.

DESCRIPTION

FIG. 1 is a front elevational view of a watch case showing my new design;
FIG. 2 is a back elevational view thereof;
FIG. 3 is a right side elevational view thereof;
FIG. 4 is a left side elevational view thereof;
FIG. 5 is a bottom plan view thereof;
FIG. 6 is a top plan view thereof;
FIG. 7 is a front, right side perspective view thereof; and,
FIG. 8 is a back, left side perspective view thereof.
The broken lines in the drawing figures depict unclaimed subject matter that forms no part of the claimed design.

1 Claim, 8 Drawing Sheets

(56) **References Cited**
U.S. PATENT DOCUMENTS
3,756,017 A * 9/1973 Genta G04B 37/0008
368/291
D371,077 S * 6/1996 Terashima D10/30
D447,424 S * 9/2001 Modolo D10/30
D587,140 S * 2/2009 Kauffmann D10/38
D624,442 S * 9/2010 Clerc D10/38



(56)

References Cited

U.S. PATENT DOCUMENTS

D828,185 S * 9/2018 Savolainen D10/38
2012/0192424 A1* 8/2012 Cataldo G04B 37/22
29/896.33

OTHER PUBLICATIONS

Vacheron Constantin FiftySix | posted at hodinkee.com Jan. 2018 ©
2009-2018, Hodinkee Inc. [online][site visited Sep. 6, 2018]. Avail-
able from internet: <<https://www.hodinkee.com/articles/vacheron-constantin-fiftysix-self-winding-introducing> (Year: 2018).*

Treasures of Vacheron Constantin—A legacy of watchmaking since
1755 Hairani Hassan-Joshi (Curator) and Julien Marchenoir (Cata-
log) 2011 Editions Hazan, Paris, France p. 92: Gentleman's Wrist-
watch Ultra-Thin 1955.

* cited by examiner

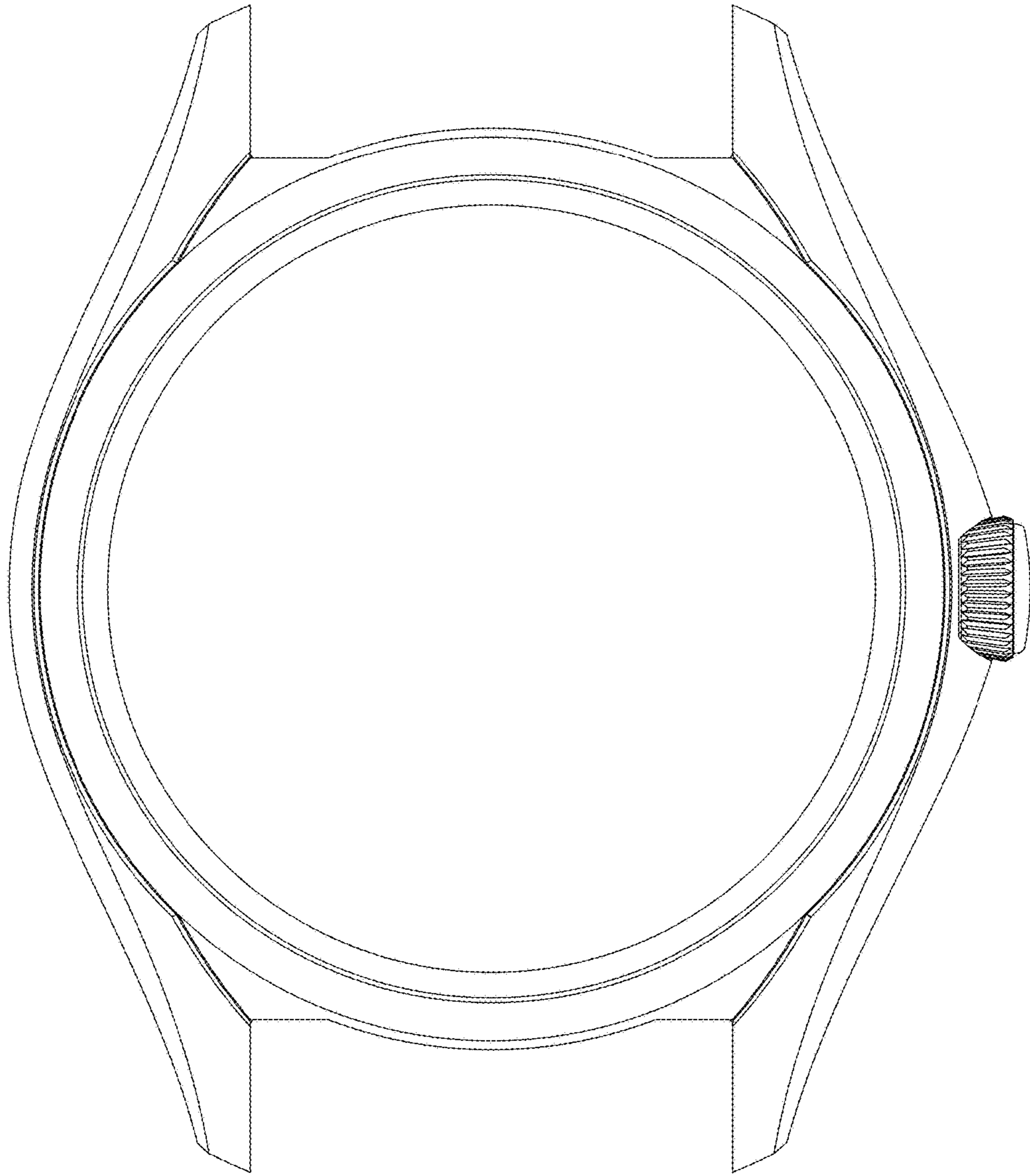


Fig. 1

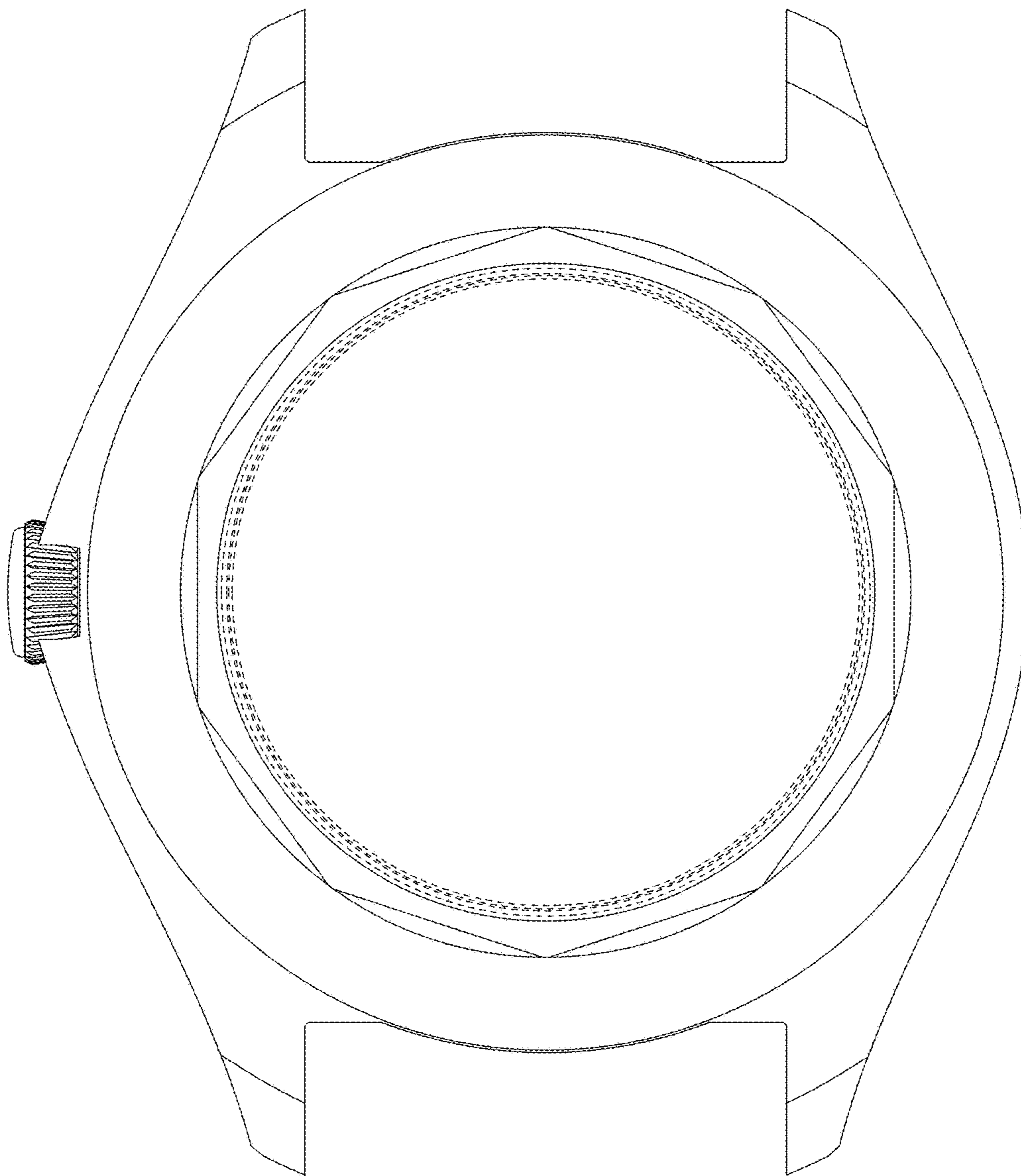


Fig. 2

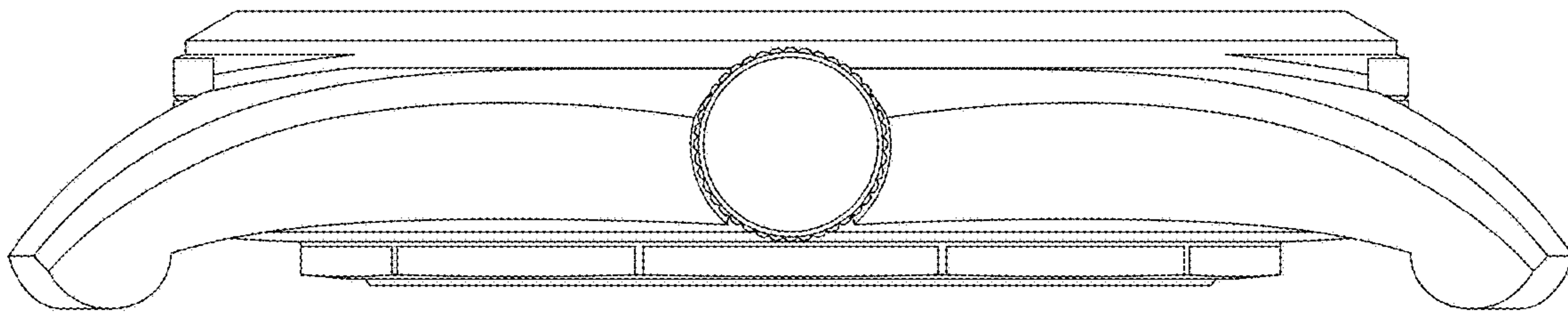


Fig. 3

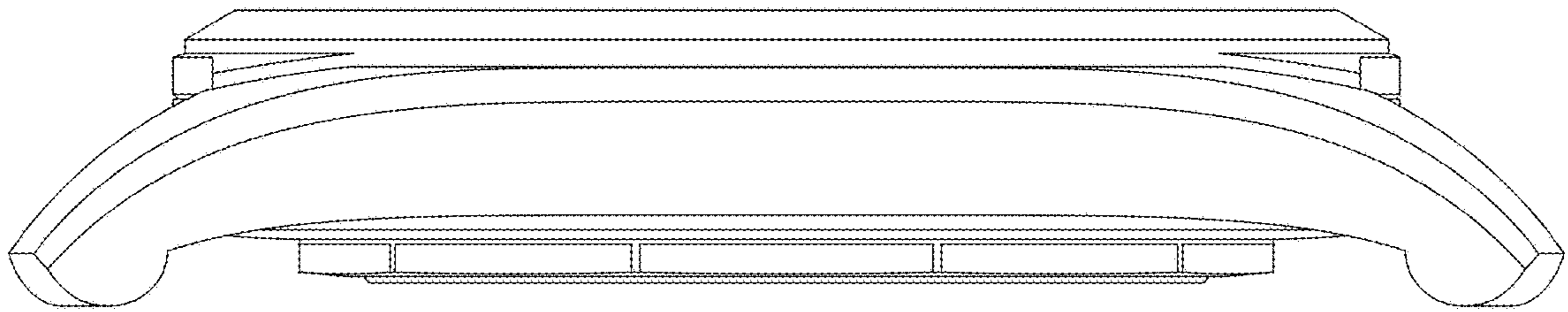


Fig. 4

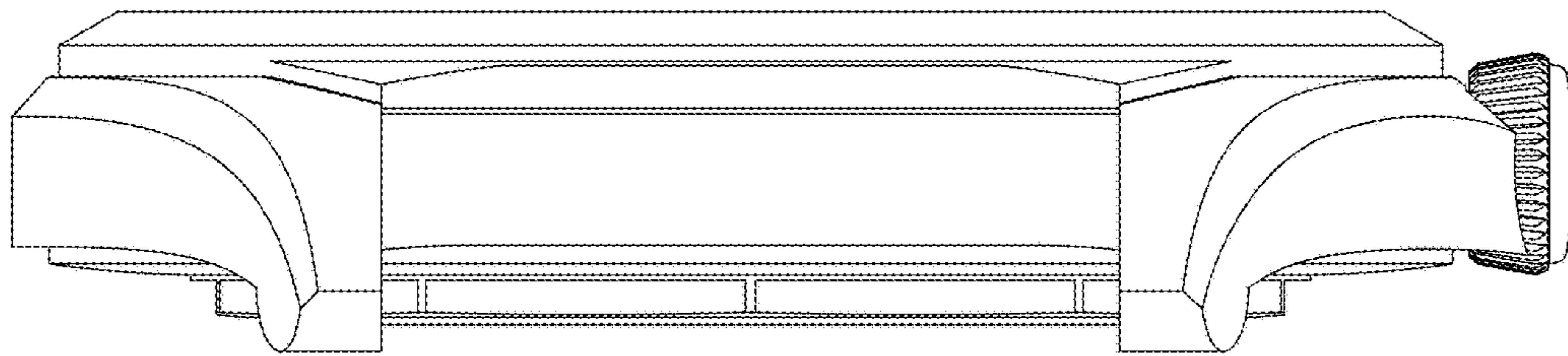


Fig. 5

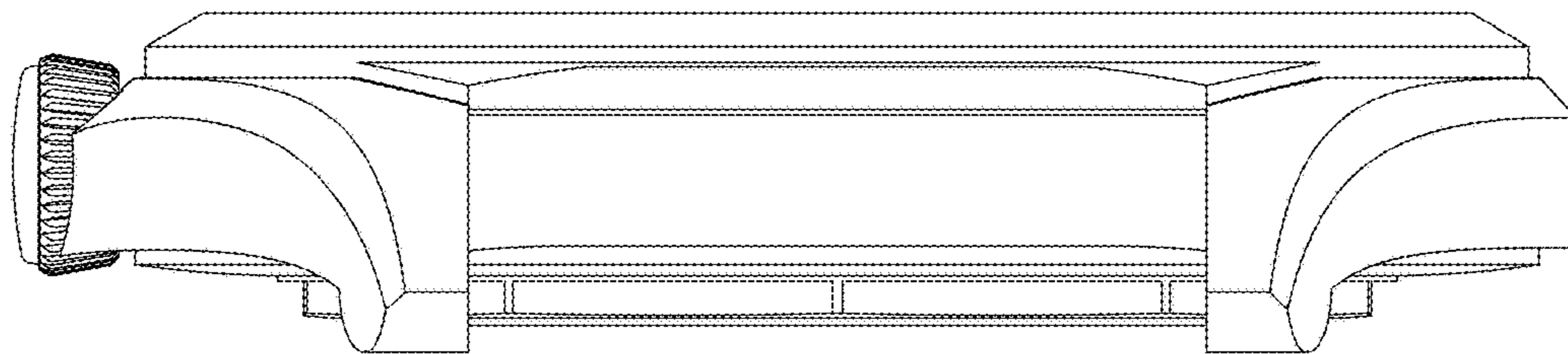


Fig. 6

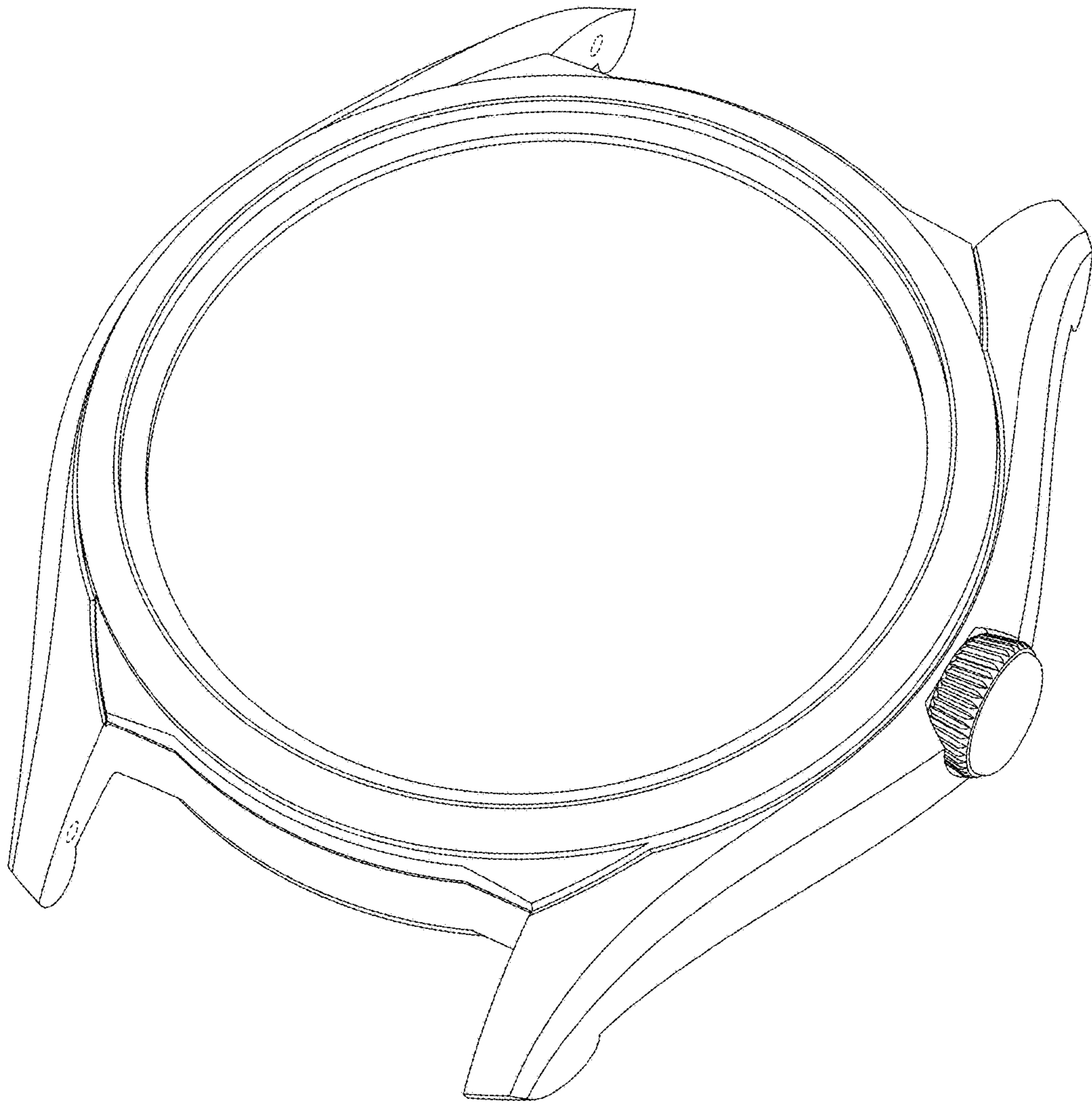


Fig. 7

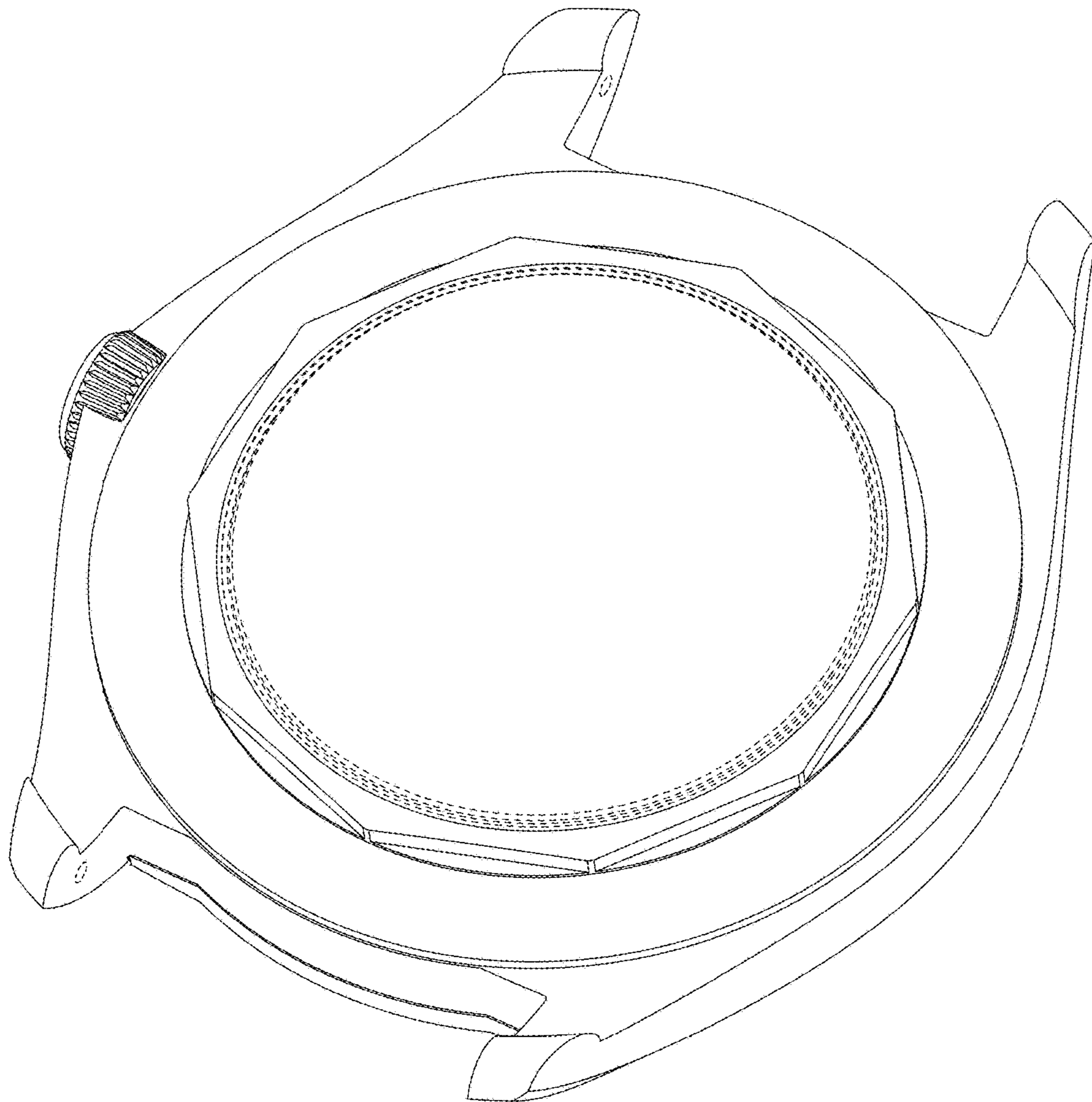


Fig. 8