



US00D847659S

(12) **United States Design Patent** (10) **Patent No.:** **US D847,659 S**  
**Suzuki** (45) **Date of Patent:** **\*\* May 7, 2019**

(54) **LIQUID CONTAINER**

(71) Applicant: **GC Corporation**, Shizuoka (JP)

(72) Inventor: **Takumi Suzuki**, Tokyo (JP)

(73) Assignee: **GC Corporation**, Shizuoka (JP)

(\*\*) Term: **15 Years**

(21) Appl. No.: **29/625,254**

(22) Filed: **Nov. 8, 2017**

(30) **Foreign Application Priority Data**

May 29, 2017 (JP) ..... 2017-011444

(51) **LOC (11) Cl.** ..... **09-01**

(52) **U.S. Cl.**  
USPC ..... **D9/724**

(58) **Field of Classification Search**

USPC ..... D9/442, 695-699, 702-714, 723-729;  
D24/199; D28/7; 132/317, 318, 320;  
222/95, 207, 212, 335; D27/157, 160  
CPC ..... A45D 34/00; A45D 40/00; B65D 81/3272  
See application file for complete search history.

(56) **References Cited**

U.S. PATENT DOCUMENTS

D208,047 S	7/1967	Brophy	
D223,804 S *	6/1972	Kusek	D9/556
D231,708 S *	5/1974	Kenney	D27/160
D263,795 S *	4/1982	Pagels	D24/121
D390,786 S *	2/1998	Saunders	D9/551
6,116,477 A	9/2000	Kreiseder et al.	
D451,392 S	12/2001	Kitamura et al.	
D538,967 S *	3/2007	Chuang	D27/143
D609,964 S	2/2010	Lane	
D641,241 S	7/2011	Goto et al.	
D661,945 S	6/2012	Eyal	
D663,891 S *	7/2012	Cohen Harel	D27/157
D686,871 S	7/2013	Lane	

D686,872 S	7/2013	Lane
D748,477 S	2/2016	Herbst et al.
D758,790 S	6/2016	Boroski
D759,485 S	6/2016	Boroski et al.
D775,951 S	1/2017	Wang
D780,578 S	3/2017	Lane et al.
D782,908 S	4/2017	Bentkovski
D785,402 S	5/2017	Shirley et al.
D794,453 S	8/2017	Boroski et al.
D801,172 S	10/2017	Bentkovski
D817,088 S	5/2018	Shirley
D818,767 S	5/2018	Nezu

(Continued)

*Primary Examiner* — Derrick E Holland  
*Assistant Examiner* — Janice Patyk  
(74) *Attorney, Agent, or Firm* — IPUSA, PLLC

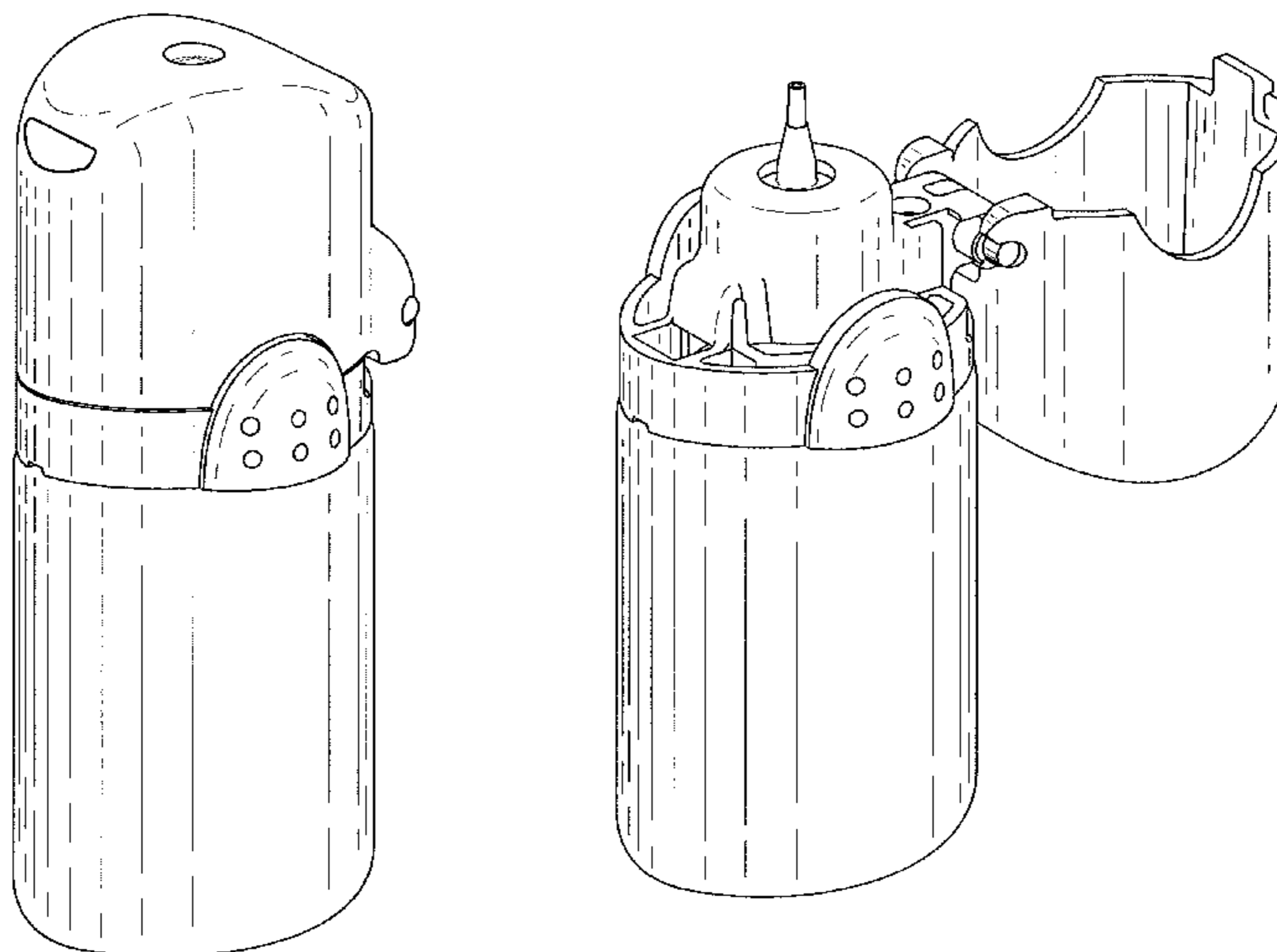
(57) **CLAIM**

The ornamental design for a liquid container, as shown and described.

**DESCRIPTION**

FIG. 1 is a perspective view of a liquid container, showing our new design;  
FIG. 2 is a perspective view thereof, shown with the cap in opened condition;  
FIG. 3 is an exploded perspective view thereof;  
FIG. 4 is a front view thereof shown, with the cap in opened condition;  
FIG. 5 is a front view thereof;  
FIG. 6 is a rear view thereof;  
FIG. 7 is a top plan view thereof;  
FIG. 8 is a bottom view thereof;  
FIG. 9 is a right side view thereof;  
FIG. 10 is a left side view thereof; and,  
FIG. 11 is an exploded cross-section view thereof, taken along the line 11-11 of FIG. 7.  
The broken lines in the figures illustrate the portions of the design that form no part of the claimed design.

**1 Claim, 11 Drawing Sheets**



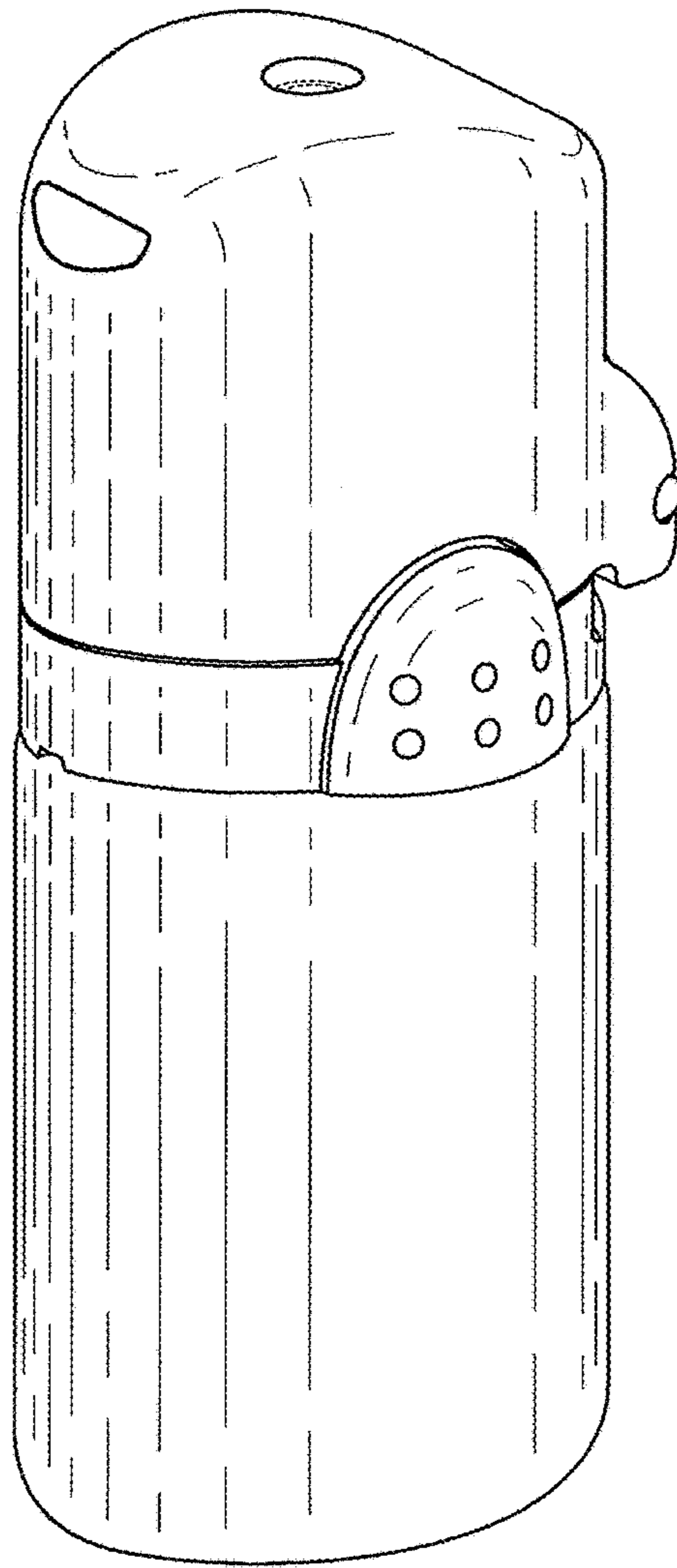
(56)

**References Cited**

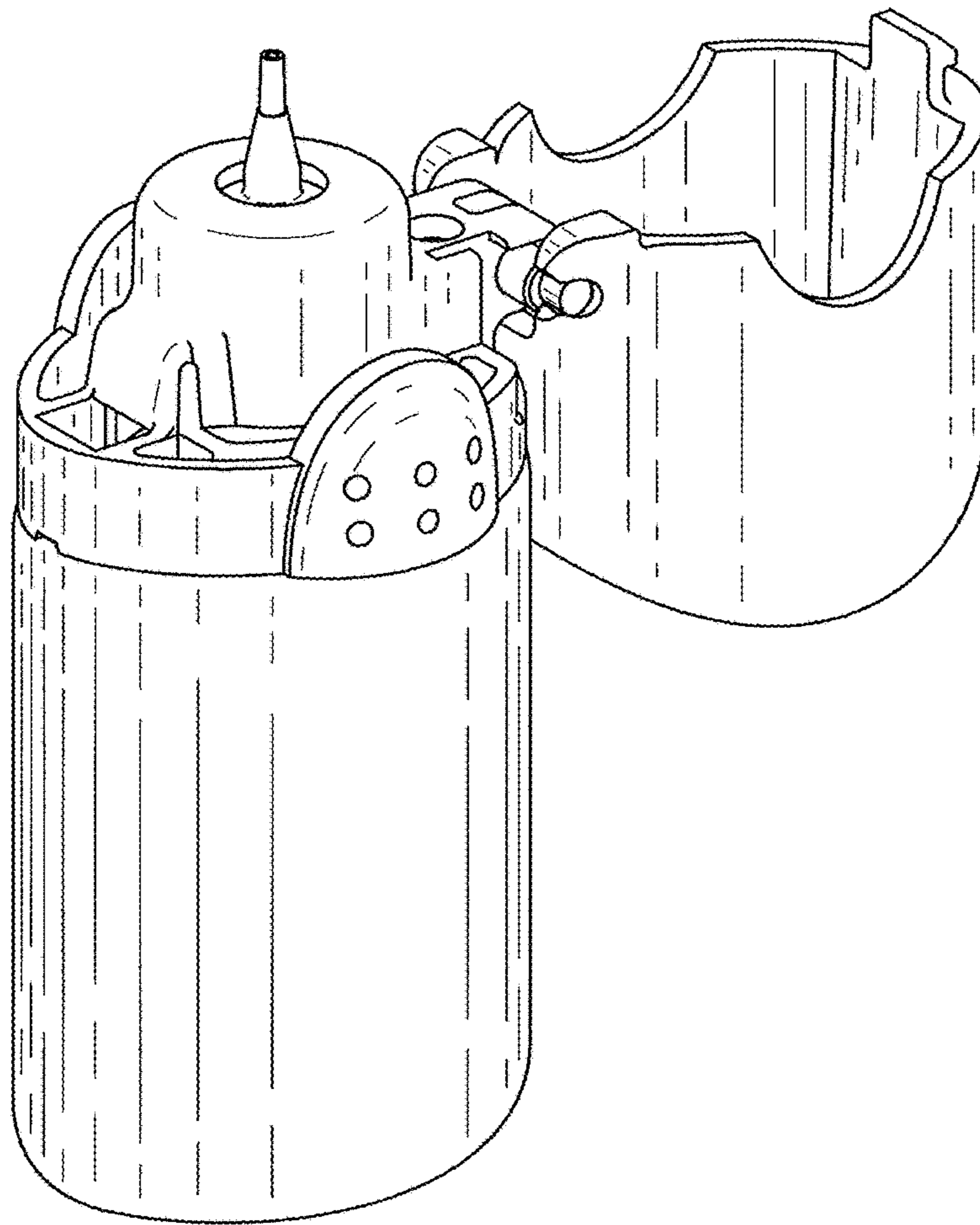
U.S. PATENT DOCUMENTS

D819,395 S	6/2018	Yu	
10,034,564 B2	7/2018	Sims	
D827,769 S	9/2018	Brill	
2002/0108965 A1	8/2002	Hill et al.	
2013/0189018 A1*	7/2013	Choi	..... A45D 34/042 401/269
2014/0197205 A1*	7/2014	Kim	..... B05B 11/3097 222/153.13

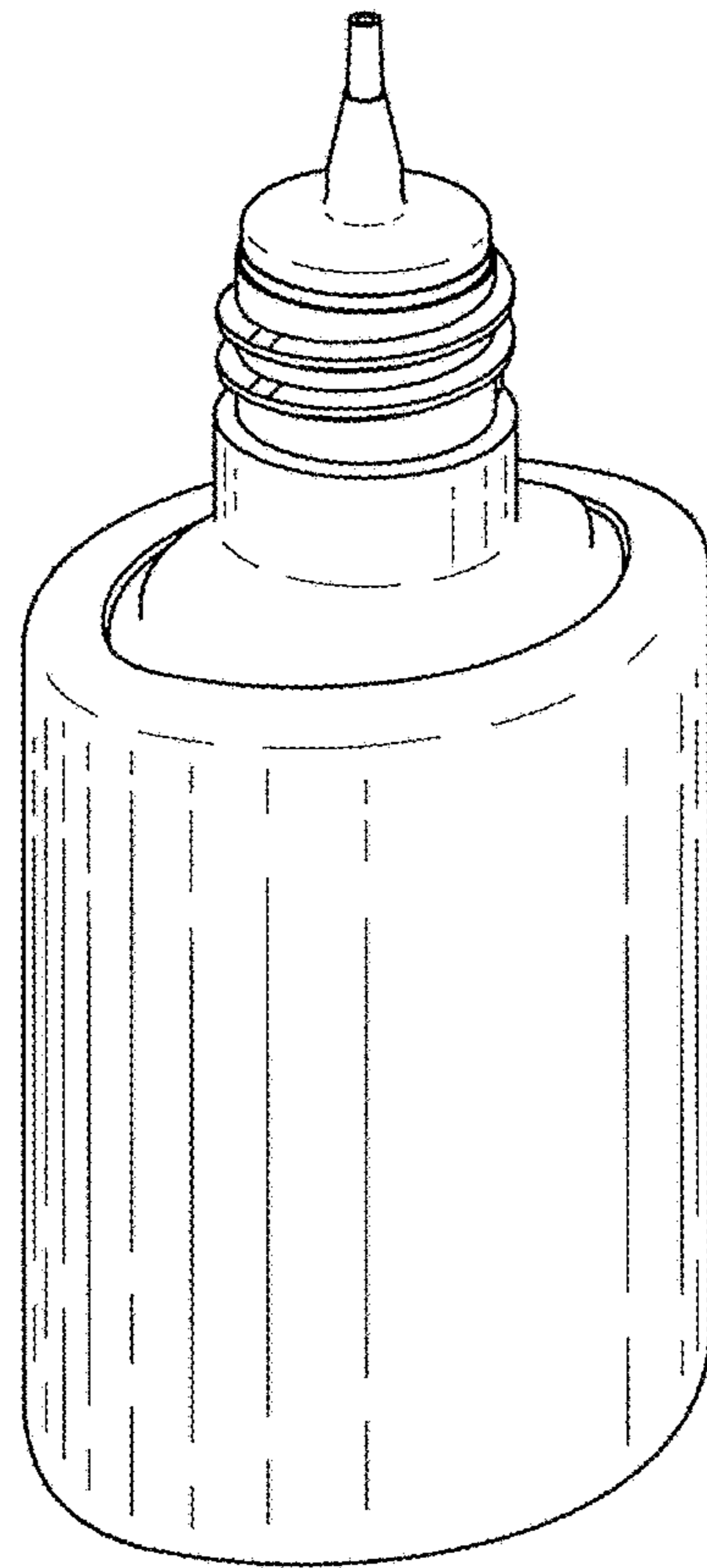
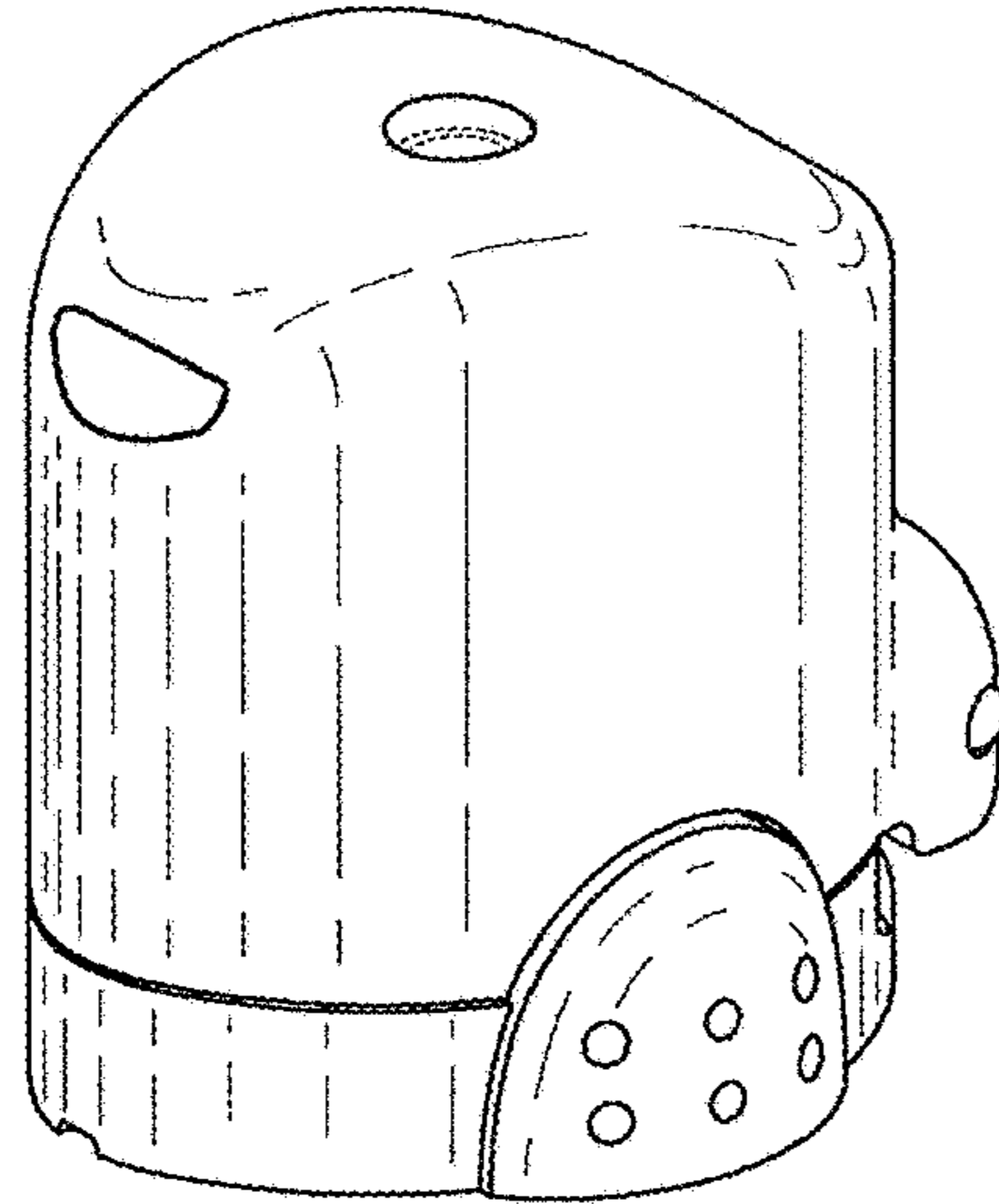
\* cited by examiner



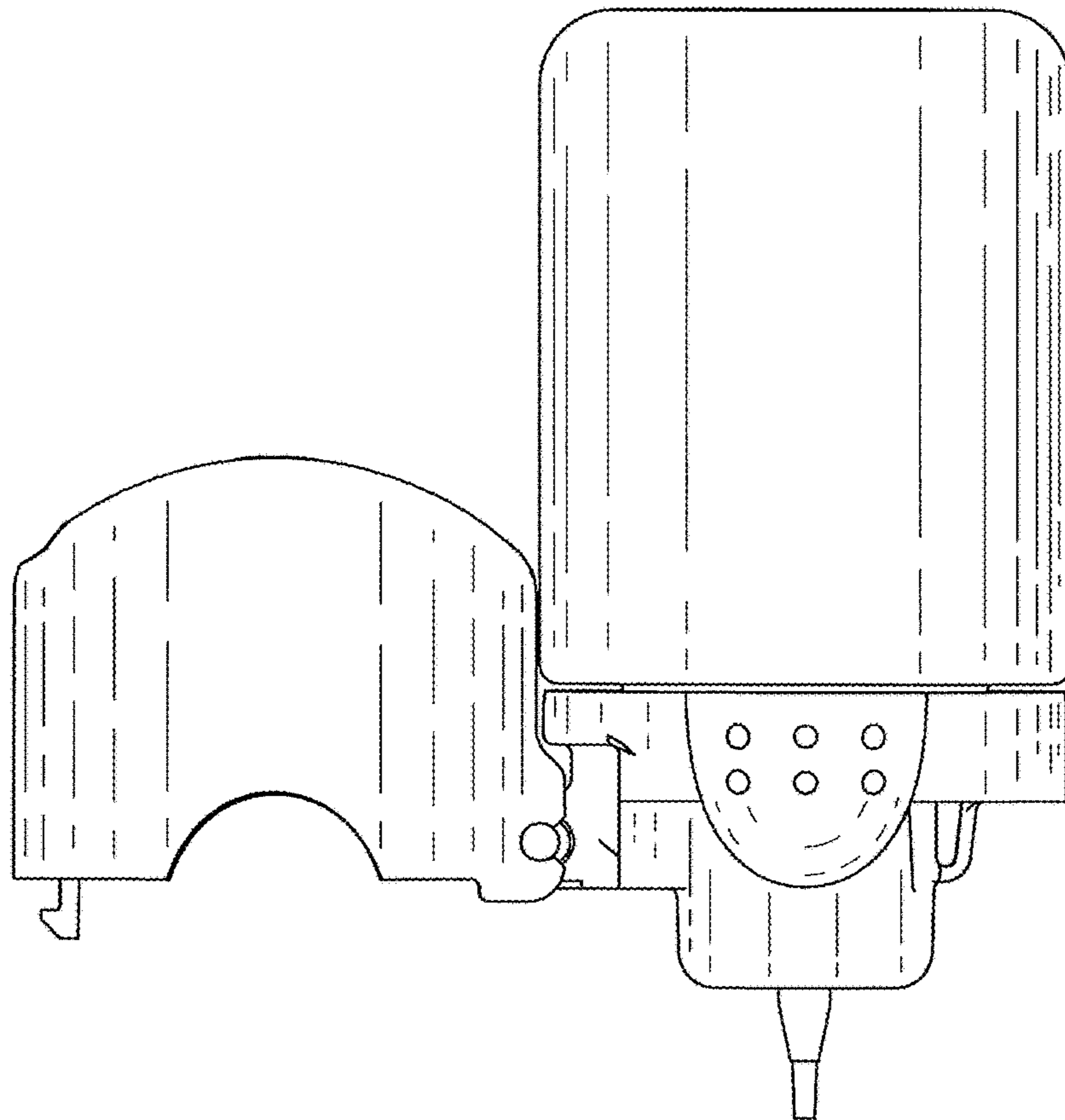
*Fig. 1*



*Fig. 2*

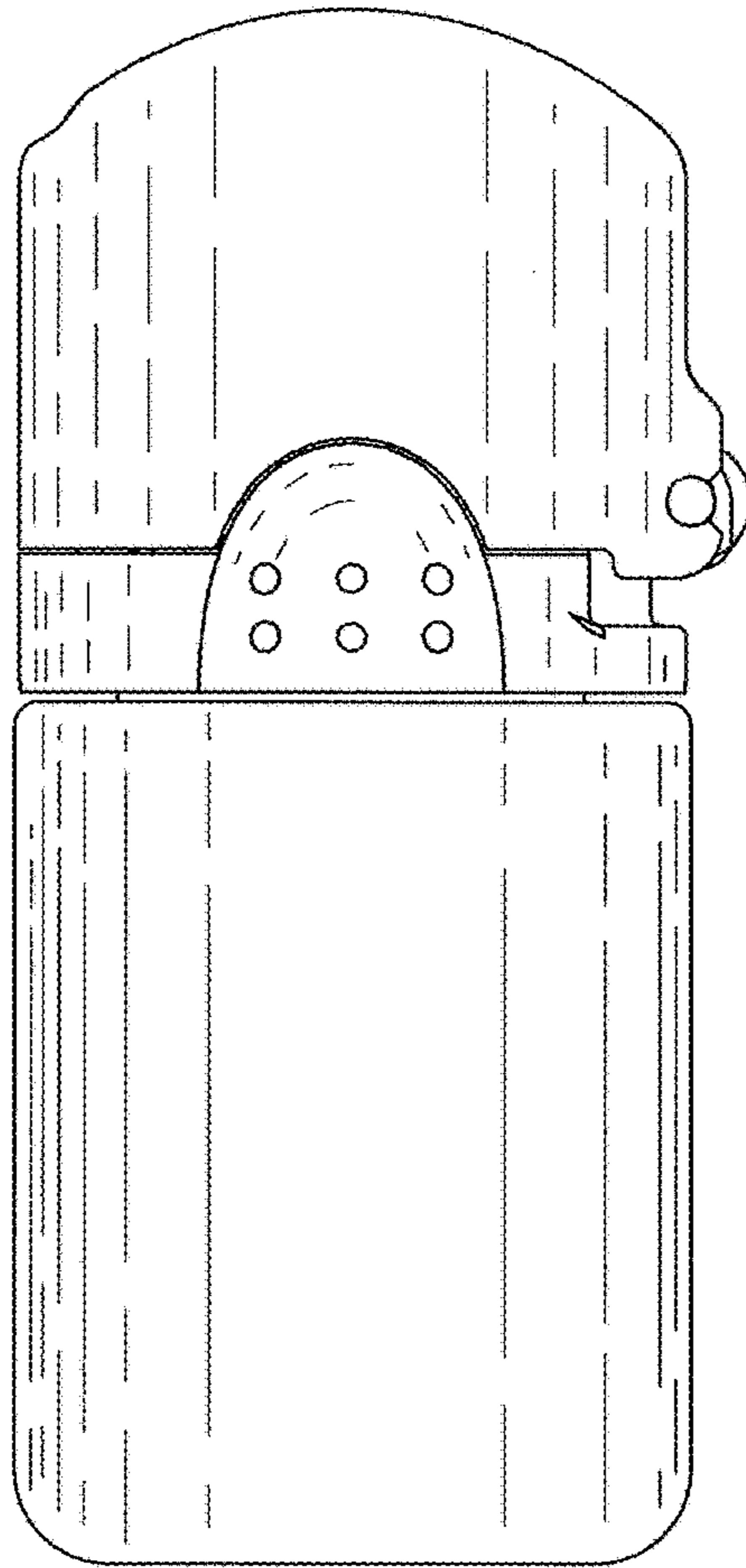


*Fig. 3*

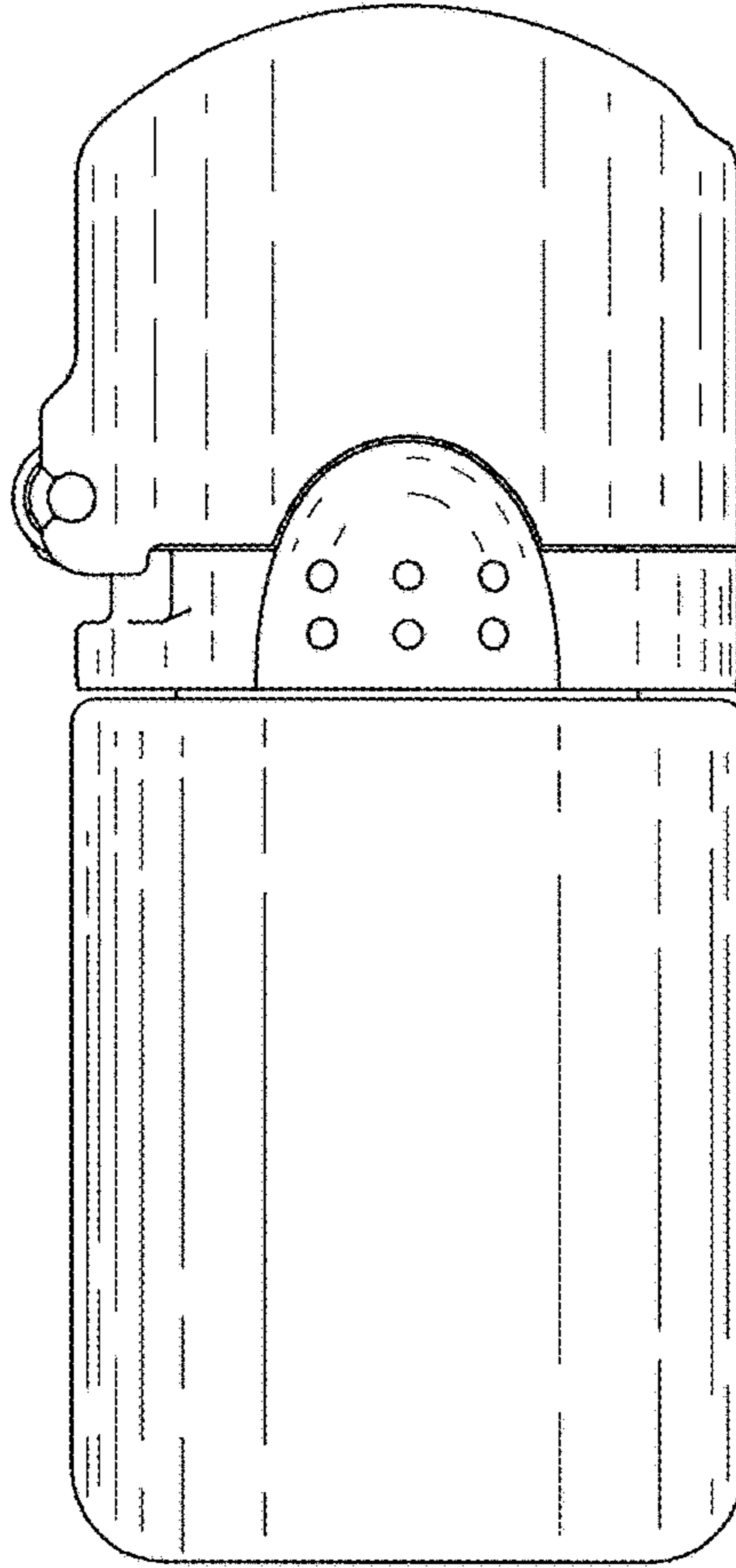


*Fig. 4*



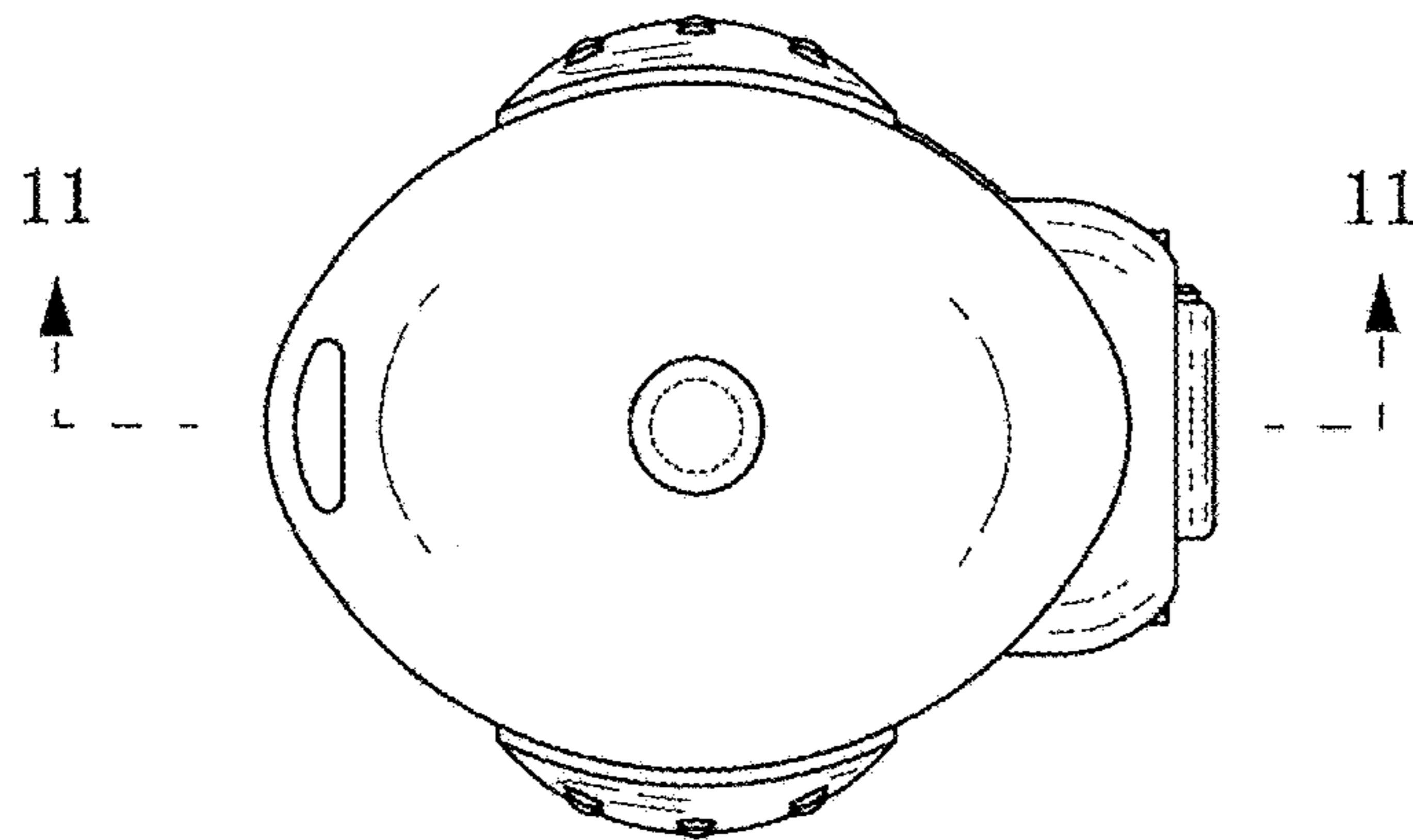


*Fig. 5*

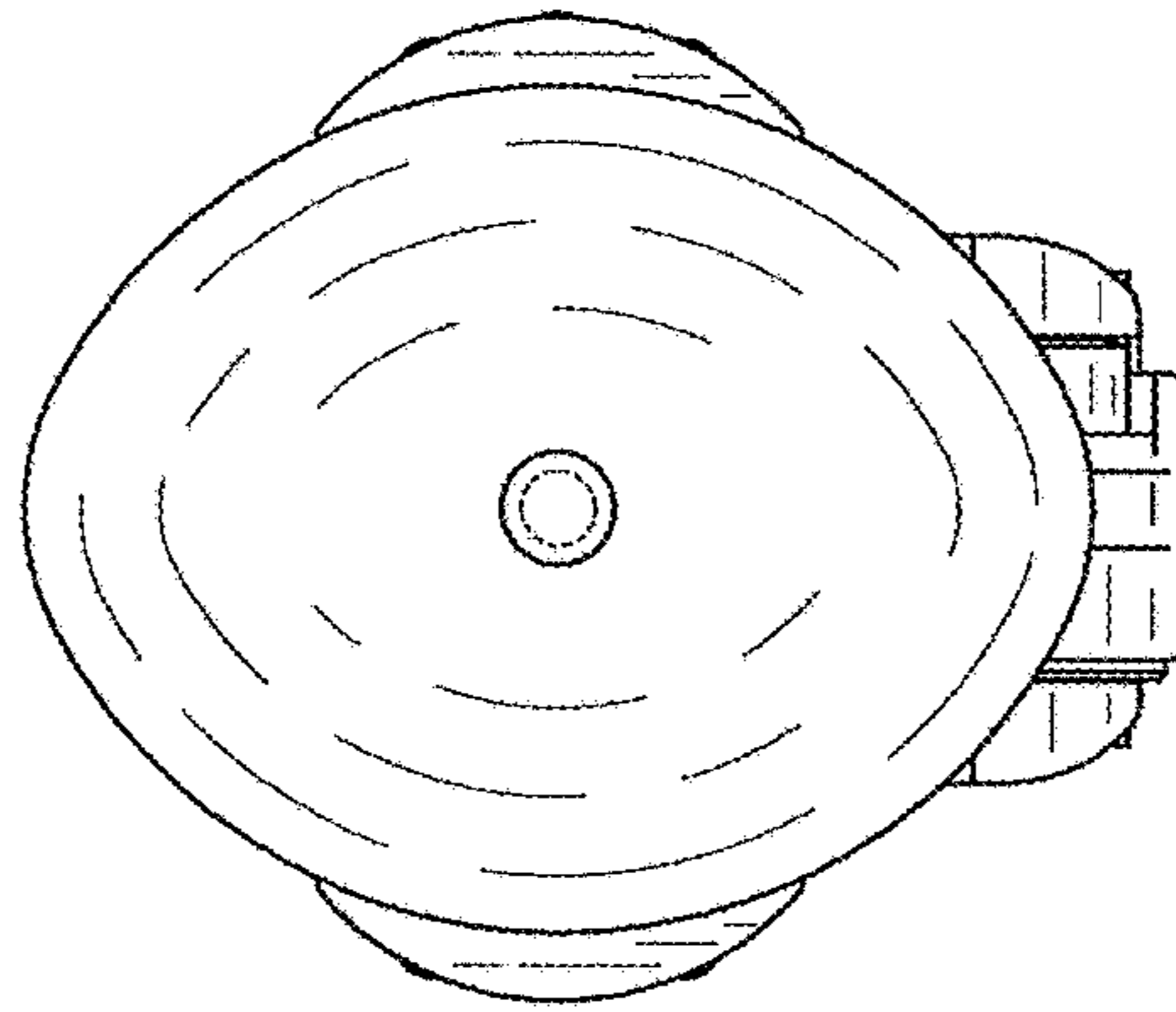


*Fig. 6*

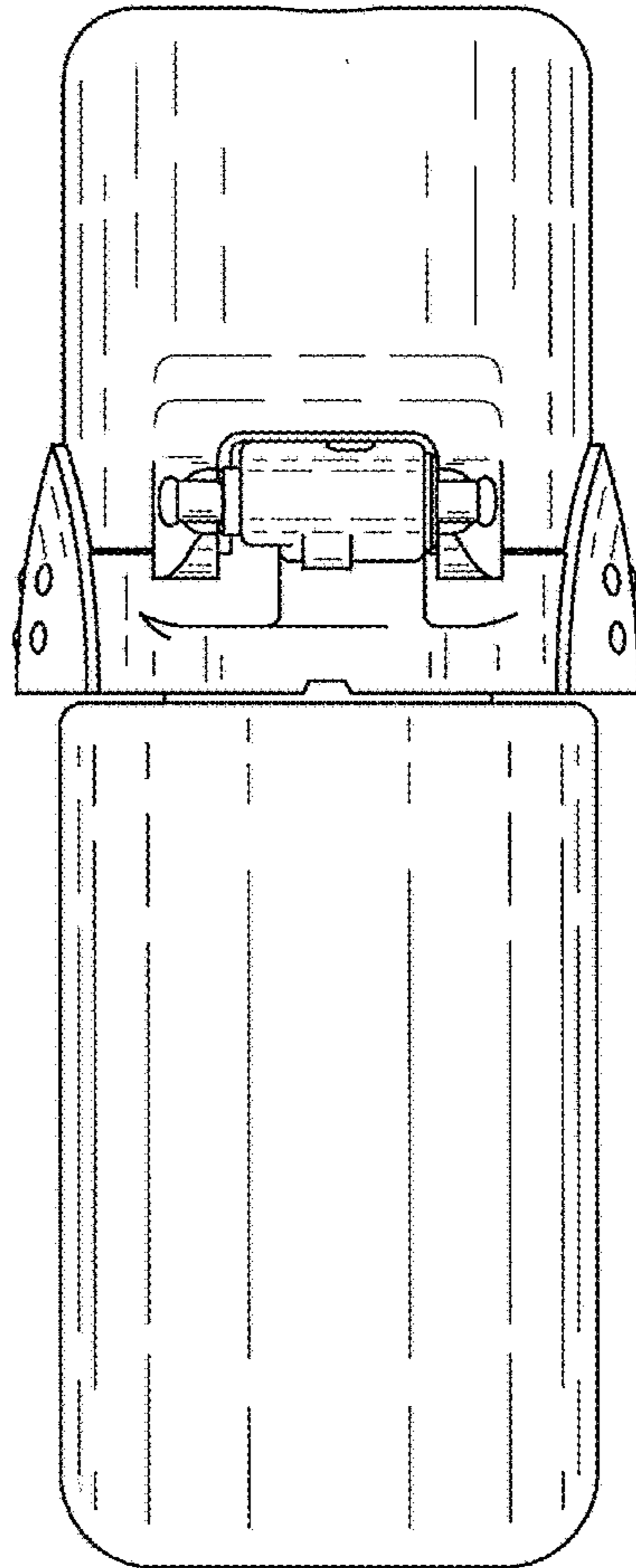




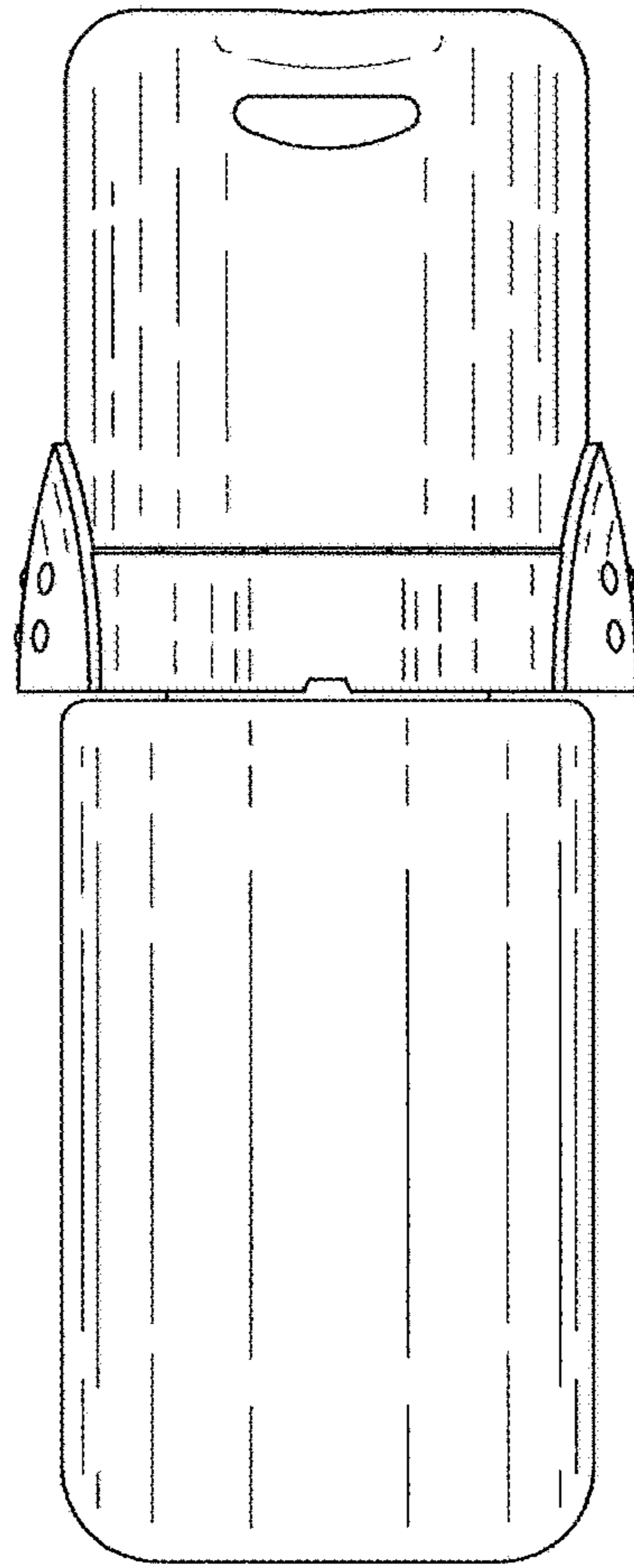
*Fig. 7*



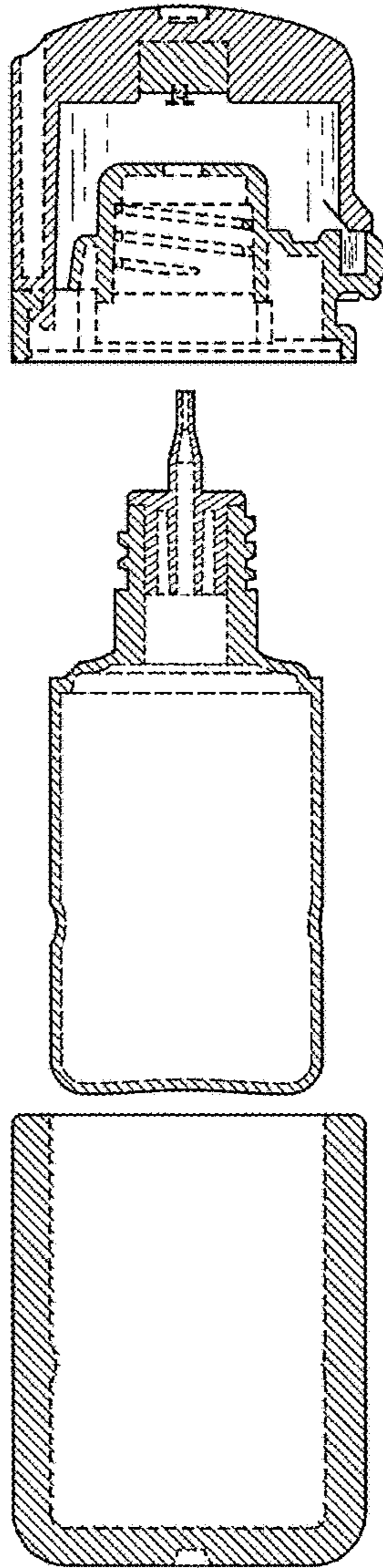
*Fig. 8*



*Fig. 9*



*Fig. 10*



*Fig. 11*