



US00D847654S

(12) **United States Design Patent** (10) **Patent No.:** **US D847,654 S**
Luu et al. (45) **Date of Patent:** **** May 7, 2019**

(54) **BOTTLE WITH CAP**

(71) Applicant: **LeChat**, Hercules, CA (US)

(72) Inventors: **Newton Luu**, Hercules, CA (US);
Christina Kleppe, Antioch, CA (US)

(73) Assignee: **LeChat**, Hercules, CA (US)

(**) Term: **15 Years**

(21) Appl. No.: **29/627,008**

(22) Filed: **Nov. 21, 2017**

Related U.S. Application Data

(60) Continuation of application No. 29/583,007, filed on Nov. 1, 2016, now Pat. No. Des. 803,055, which is a division of application No. 29/494,508, filed on Jun. 20, 2014, now Pat. No. Des. 770,295.

(51) **LOC (11) Cl.** **09-01**

(52) **U.S. Cl.**
USPC **D9/560**; D9/454

(58) **Field of Classification Search**
USPC D9/434–435, 447, 452, 454, 500,
D9/502–504, 516, 529, 530, 537–539,
D9/548–549, 557–558, 682, 686,
D9/688–692, 723; D4/116; D28/7,
D28/76–77, 88
CPC B65D 1/0002; B65D 1/0223; B65D 23/00;
B65D 81/00; B65D 83/00; B65D
2501/00; B65D 2501/0009; A45D 34/00;
A45D 34/42; A45D 34/45; A45D 34/46;
A45D 34/48; A45D 34/06; A45D
2034/007; A45D 40/0068; A45D 40/0075;
A45D 40/26; A45D 40/262; A45D
40/264; A45D 40/265

See application file for complete search history.

(56) **References Cited**

U.S. PATENT DOCUMENTS

D90,558 S	8/1933	Tricard	
D93,074 S	8/1934	Westlake	
D105,396 S	7/1937	McIntosh	
D237,360 S	10/1975	Olivera	
D270,331 S *	8/1983	Benson	D9/520
D271,565 S	11/1983	Slater	
D316,034 S	4/1991	DeGaetano	
D329,592 S	9/1992	Crawford	
D344,804 S	3/1994	Muniz	
D346,334 S	4/1994	Ahlsvik	
D379,764 S	6/1997	Litton	
D383,980 S	9/1997	Abfier et al.	
D469,356 S	1/2003	Vo	
D471,108 S	3/2003	Calderon, Jr.	
D494,476 S	8/2004	Cwynar-Laska	
6,966,716 B2	11/2005	Pink	
7,311,457 B2	12/2007	Pink	
D561,027 S	2/2008	Nguyen	
D577,599 S	9/2008	Moretti	
D604,167 S	11/2009	Tran et al.	
D695,121 S	12/2013	Seo	
D701,124 S	3/2014	O'Hara	
D756,234 S *	5/2016	Orset	D9/560
D758,737 S	6/2016	Tan et al.	

(Continued)

Primary Examiner — Dana Meyrow

(74) *Attorney, Agent, or Firm* — Aka Chan LLP

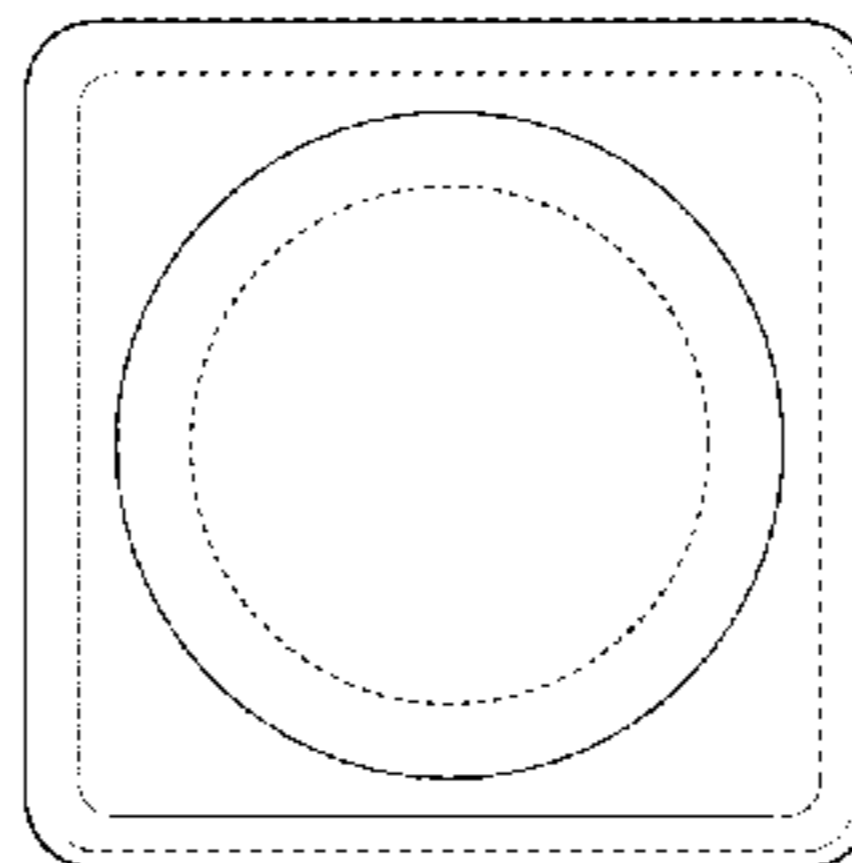
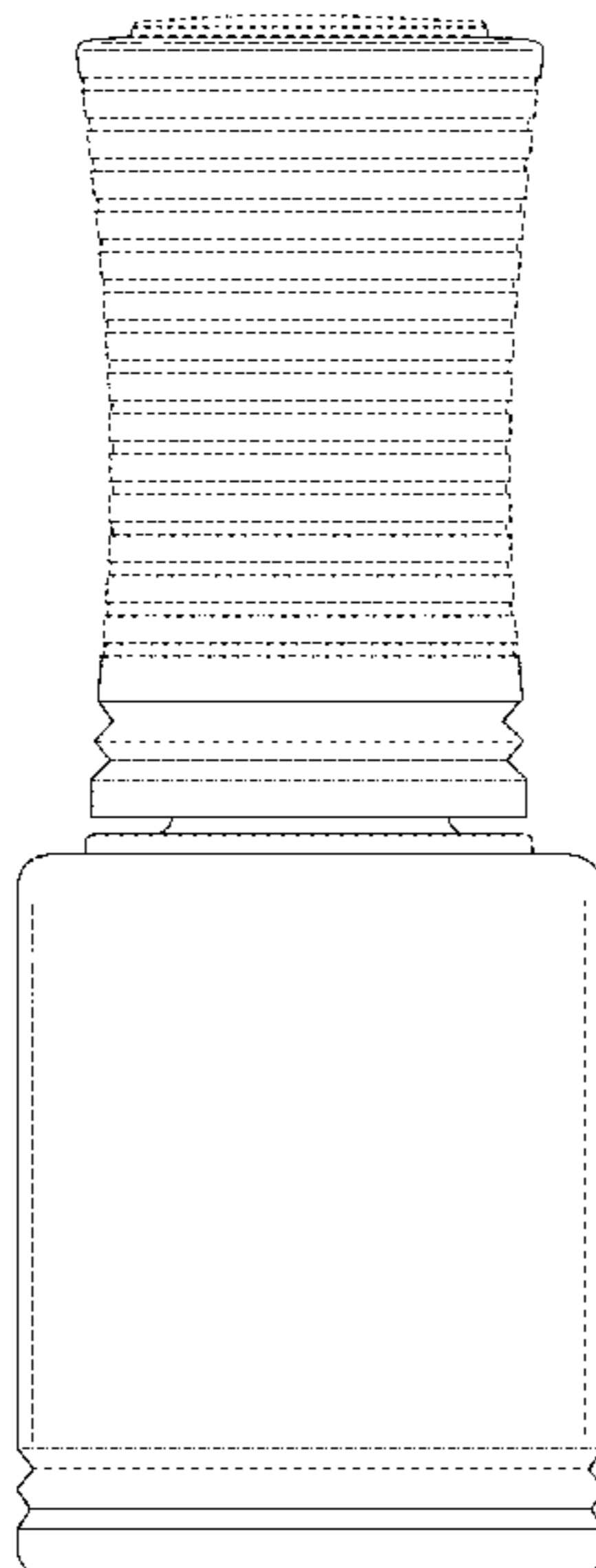
(57) **CLAIM**

The ornamental design for a bottle with cap, as shown and described.

DESCRIPTION

FIG. 1 shows a perspective view of a bottle with cap showing our new design.
FIG. 2 shows a side view of the design; and,
FIG. 3 shows a top view of the design.
The broken lines in the drawings illustrate the portions of the bottle with cap that form no part of the claim.

1 Claim, 3 Drawing Sheets



(56)

References Cited

U.S. PATENT DOCUMENTS

D767,405	S	*	9/2016	Orset	D9/453
D769,124	S	*	10/2016	Wieland	D9/548
D770,284	S		11/2016	Luu et al.	
D770,285	S		11/2016	Luu et al.	
D770,295	S		11/2016	Luu et al.	
D770,901	S		11/2016	Luu et al.	
D802,426	S	*	11/2017	Luu	D9/502
D803,055	S	*	11/2017	Luu	D9/452
D805,910	S	*	12/2017	Luu	D9/560
D816,506	S	*	5/2018	Jones	D9/560
2002/0039513	A1		4/2002	Pink	
2006/0213863	A1		9/2006	Tran	

* cited by examiner

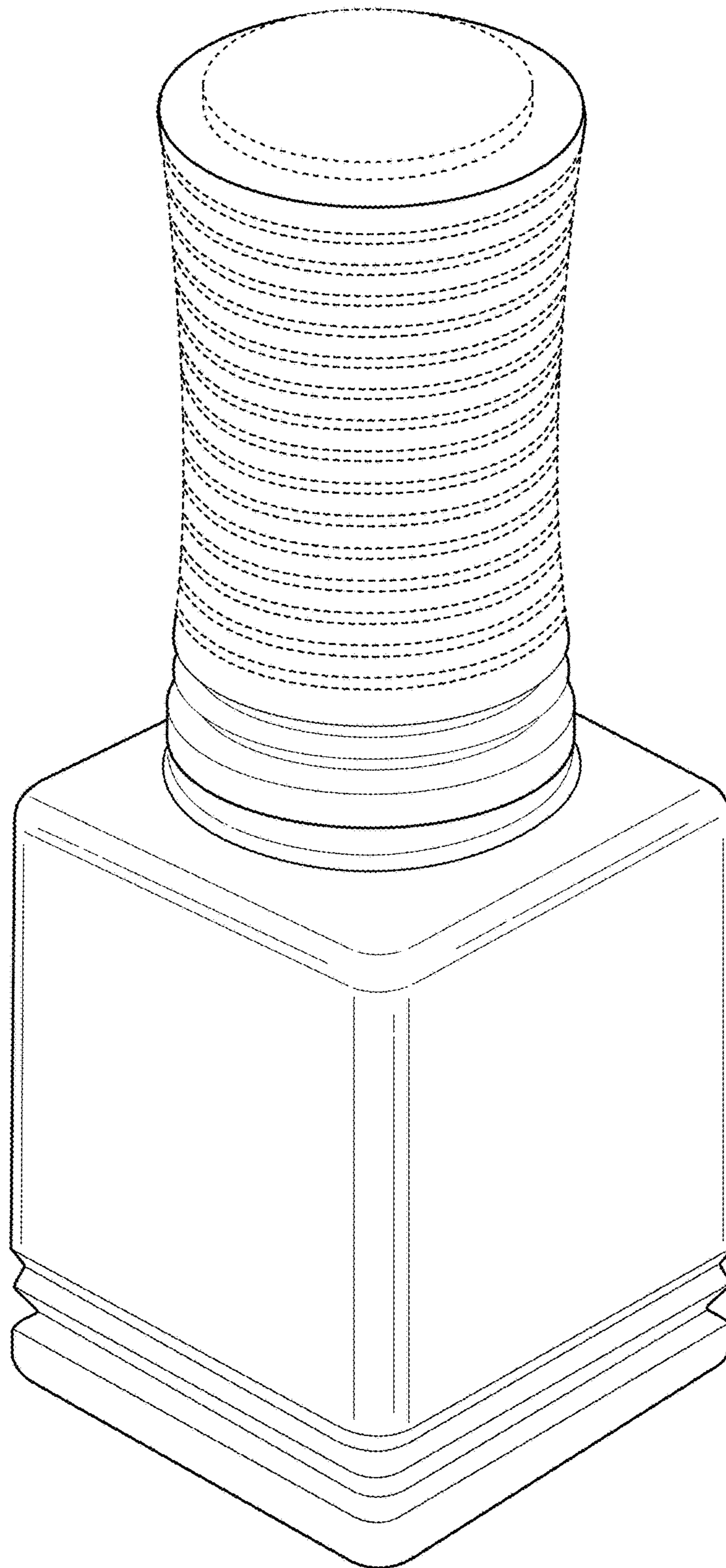


FIG. 1

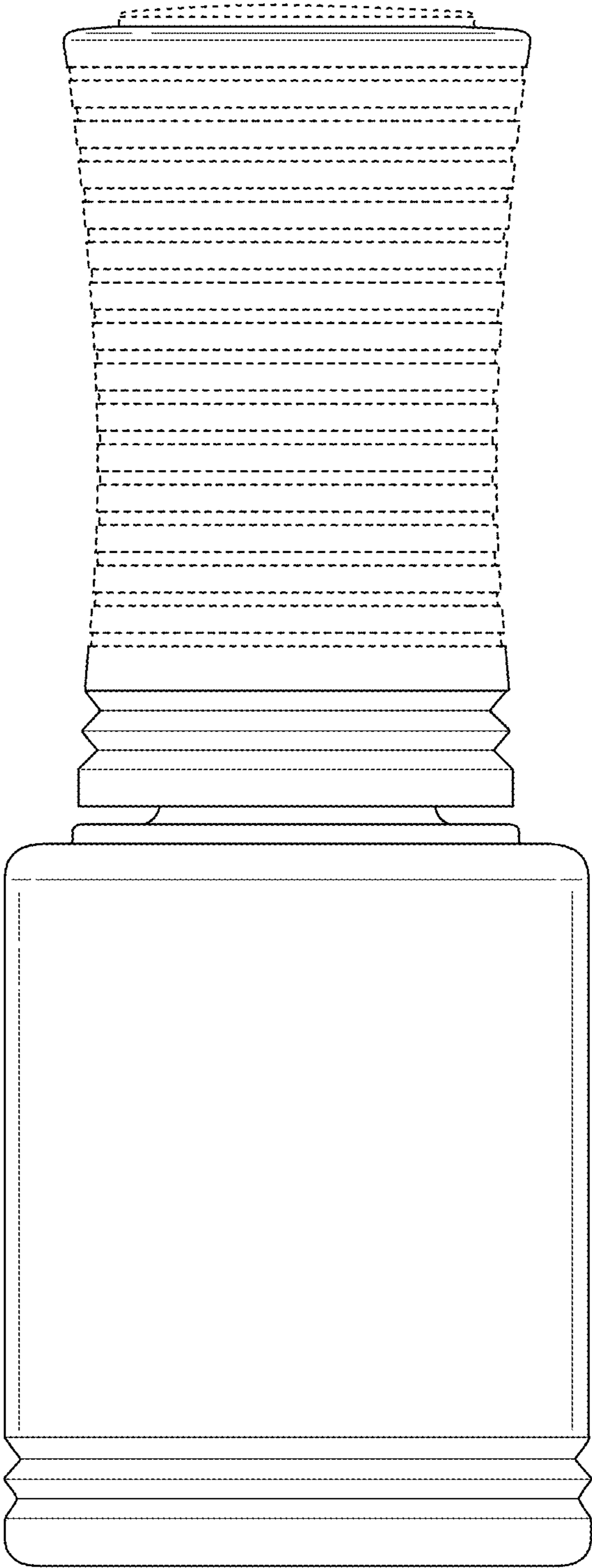


FIG. 2

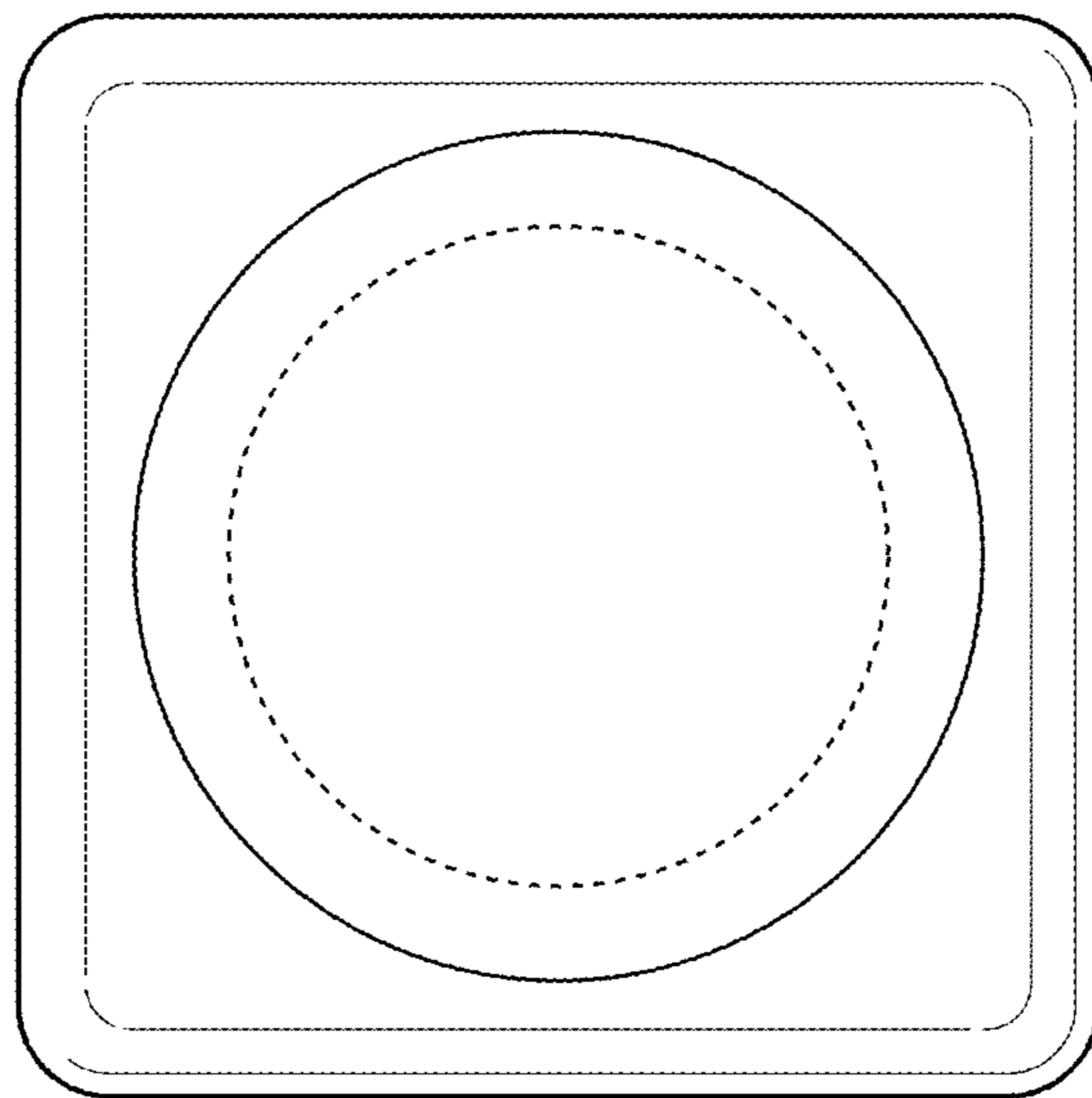


FIG. 3