



US00D847651S

(12) **United States Design Patent** (10) **Patent No.:** **US D847,651 S**
LaPlante et al. (45) **Date of Patent:** **** May 7, 2019**

(54) **BOTTLE**

(71) Applicant: **Abbott Laboratories**, Abbott Park, IL (US)

(72) Inventors: **Timothy LaPlante**, Powell, OH (US); **James Perry**, Westerville, OH (US); **Emily Untener Brudos**, Columbus, OH (US); **Damien Vizcarra**, Pasadena, CA (US); **Elizabeth Kneen Winter**, Somerville, MA (US)

(73) Assignee: **ABBOTT LABORATORIES**, Abbott Park, IL (US)

(**) Term: **15 Years**

(21) Appl. No.: **29/631,565**

(22) Filed: **Dec. 29, 2017**

(51) **LOC (11) Cl.** **09-01**

(52) **U.S. Cl.**
USPC **D9/545**

(58) **Field of Classification Search**
USPC D4/116; D6/515-516, 542-545; D7/300-322, 391-396.2, 509-511, 523, D7/589, 598, 612, 615, 619.1; D9/435, D9/436, 439, 440, 443, 447, 454, 500, D9/503-505, 516-575, 763-783; D24/197; D28/7, 57, 73, 76-91.1; 215/40-55, 316-354, 370-385; 220/574-575

CPC B65D 1/00; B65D 1/02; B65D 1/0223; B65D 1/023; B65D 1/0276

See application file for complete search history.

(56) **References Cited**

U.S. PATENT DOCUMENTS

D189,374 S * 11/1960 Harris D9/504
D355,127 S * 2/1995 Litak D9/527
D407,641 S * 4/1999 Richardson D9/447

D472,147 S * 3/2003 Herrmann D9/504
D547,952 S * 8/2007 Hrymoc D4/116
D565,878 S * 4/2008 Krus D6/542
D582,603 S * 12/2008 Dibnah D28/7
D615,404 S * 5/2010 Pitzer D9/500
D618,062 S * 6/2010 Jossem D7/598
D621,648 S * 8/2010 Lown D7/300.1
D658,915 S * 5/2012 Fernandes D6/542
D664,387 S * 7/2012 Kennedy D6/542
D728,316 S * 5/2015 Breit D7/598
D789,134 S * 6/2017 Lin D7/316
D831,492 S * 10/2018 Bram D9/545
2015/0374151 A1 * 12/2015 Lin A47G 19/12
222/545

OTHER PUBLICATIONS

“Bottle—500ml Conical.” completecarwashsupplies.com. Available Mar. 27, 2018. Accessed Dec. 7, 2018. Available online via Internet Archive Wayback Machine at URL: <<https://web.archive.org/web/20180327065415/http://www.completecarwashsupplies.com.au/index.php/bottle-500ml-conical.html>> (Year: 2018).*

* cited by examiner

Primary Examiner — Cathron C Brooks

Assistant Examiner — Christian P. McLean

(74) *Attorney, Agent, or Firm* — McAndrews, Held & Malloy, Ltd.

(57) **CLAIM**

The ornamental design for a bottle, as shown and described.

DESCRIPTION

FIG. 1 is a top front perspective view of a bottle showing our new design;

FIG. 2 is a front elevation view thereof;

FIG. 3 is a rear elevation view thereof;

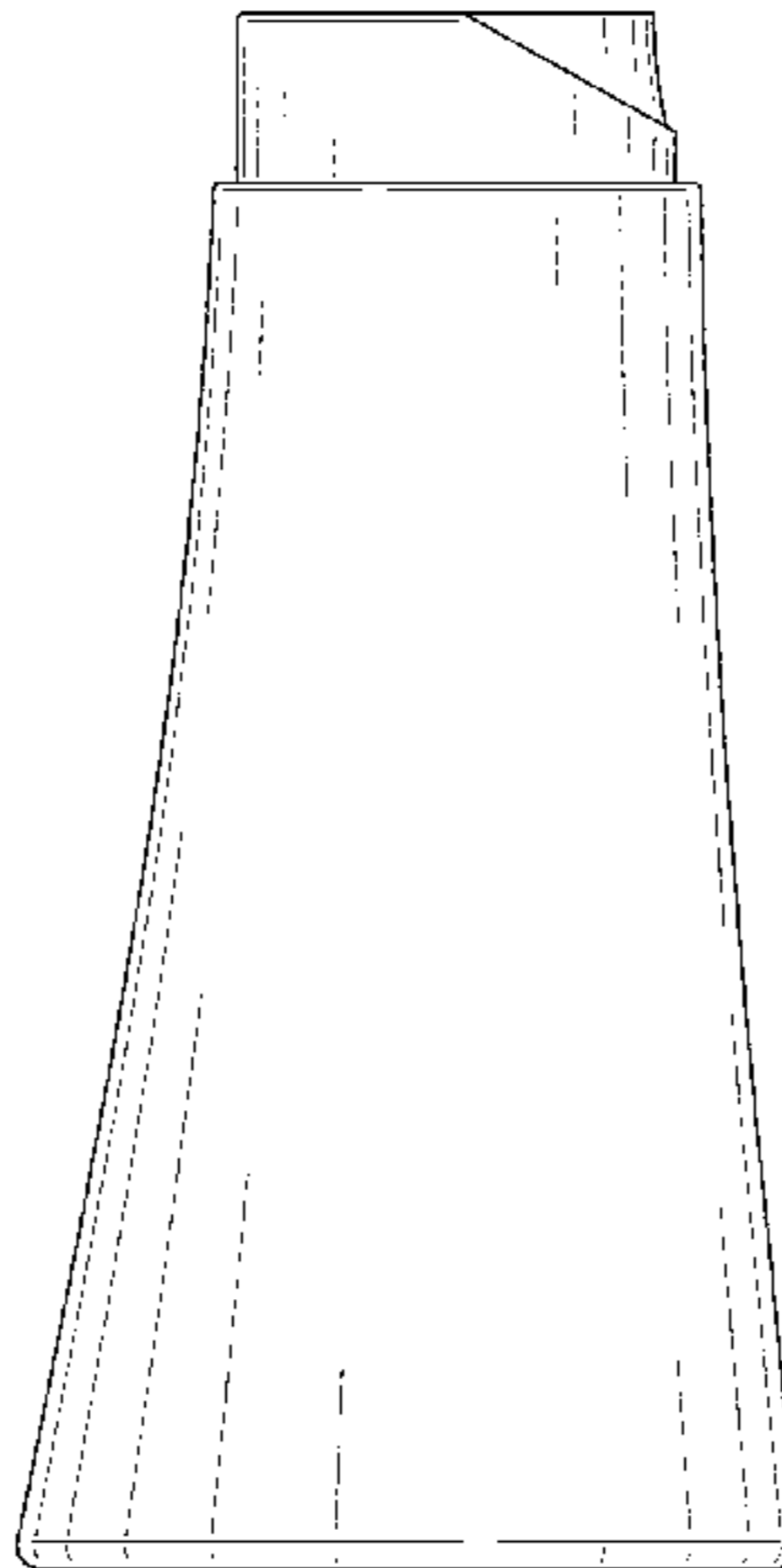
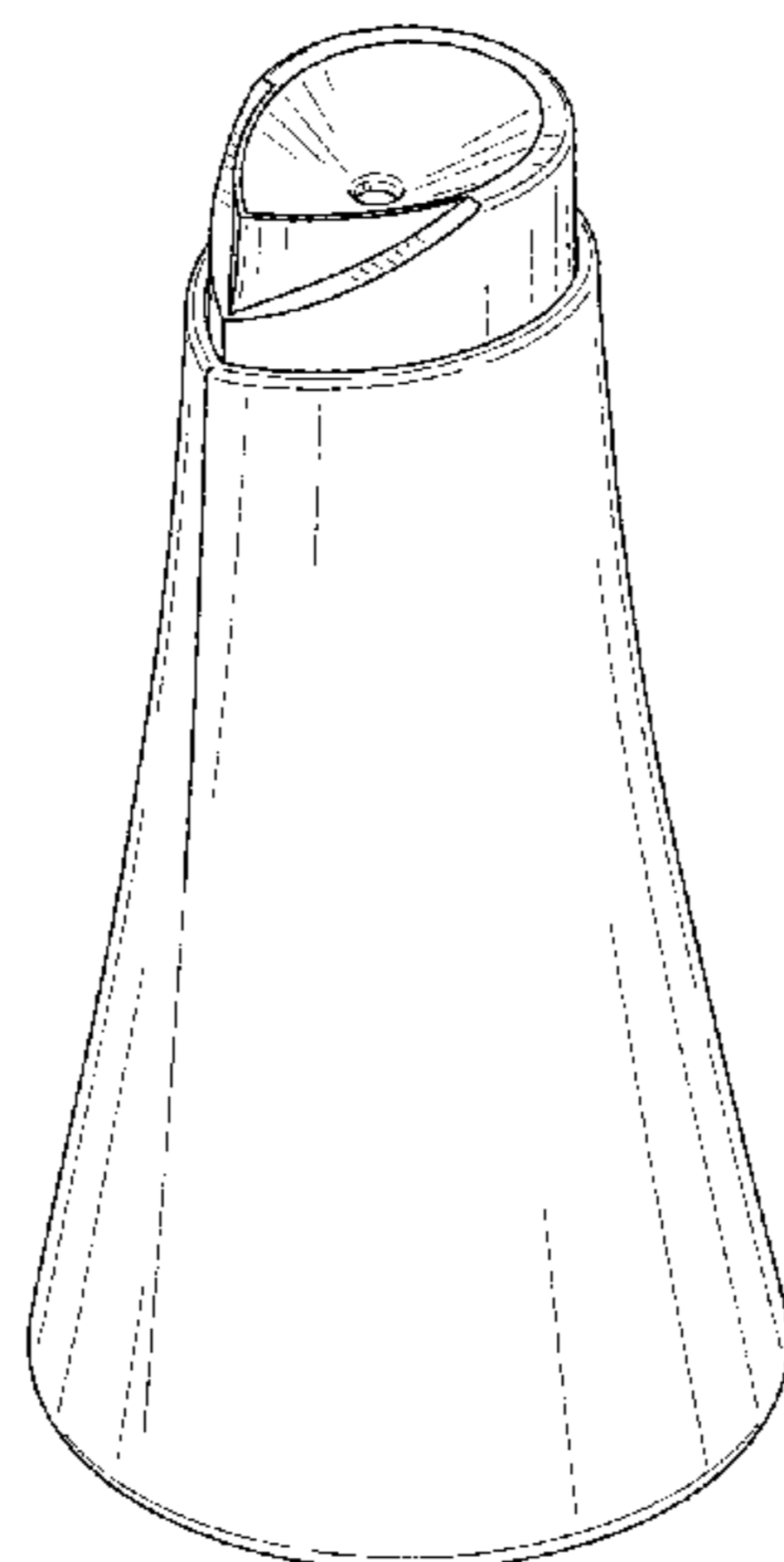
FIG. 4 is a right side elevation view thereof;

FIG. 5 is a left side elevation view thereof;

FIG. 6 is a top plan view thereof; and,

FIG. 7 is a bottom plan view thereof.

1 Claim, 4 Drawing Sheets



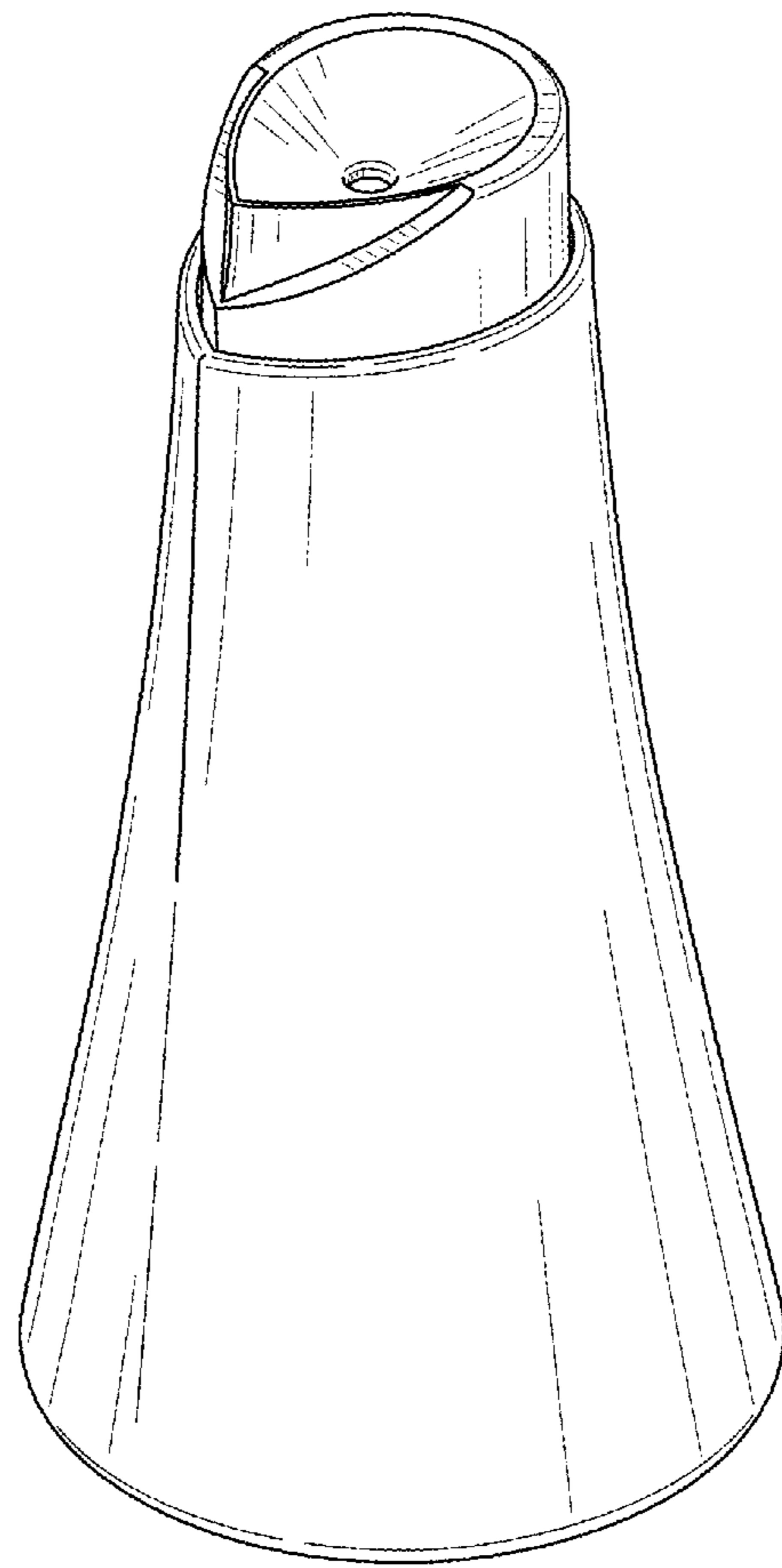


FIG. 1

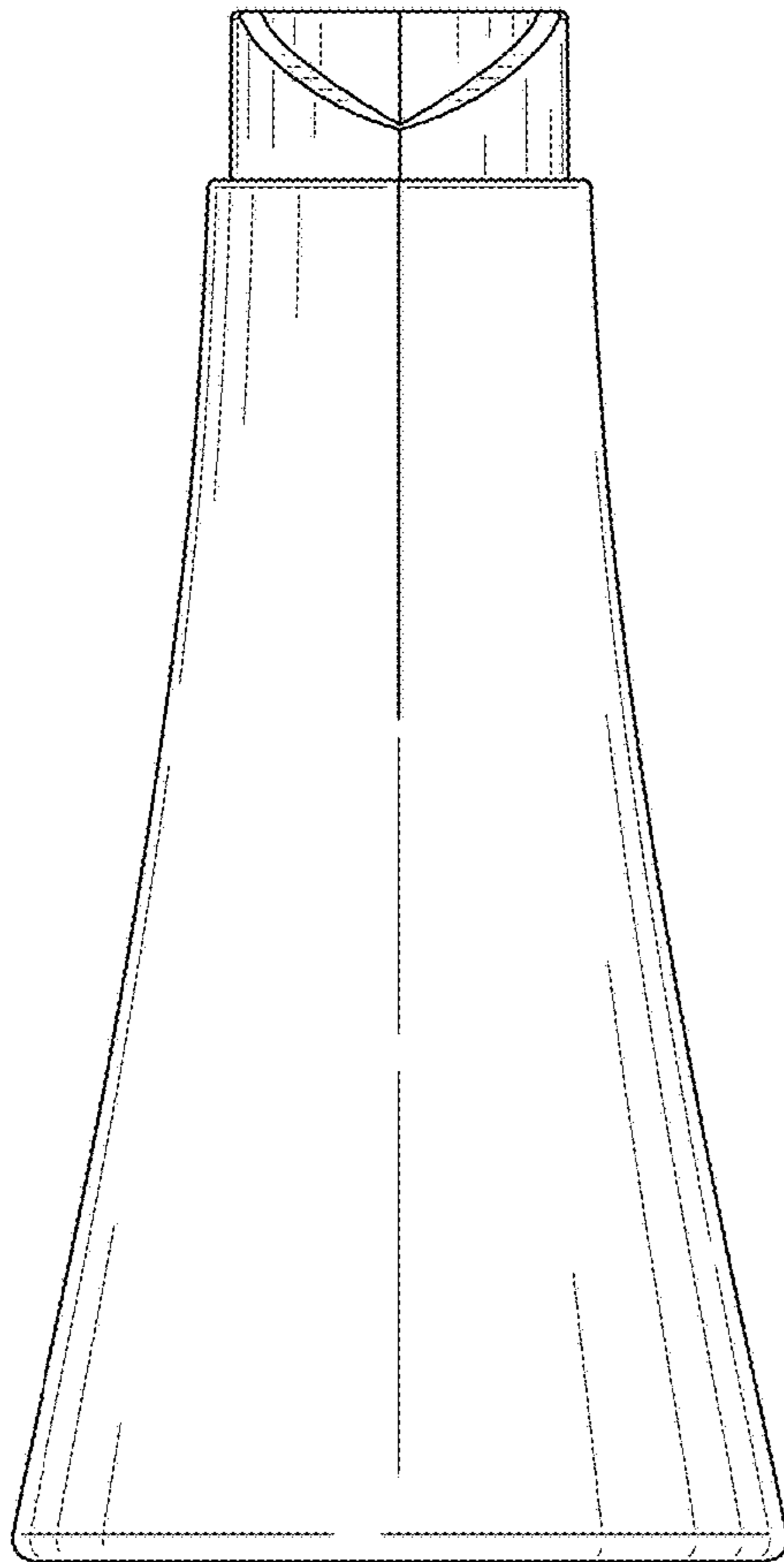


FIG. 2

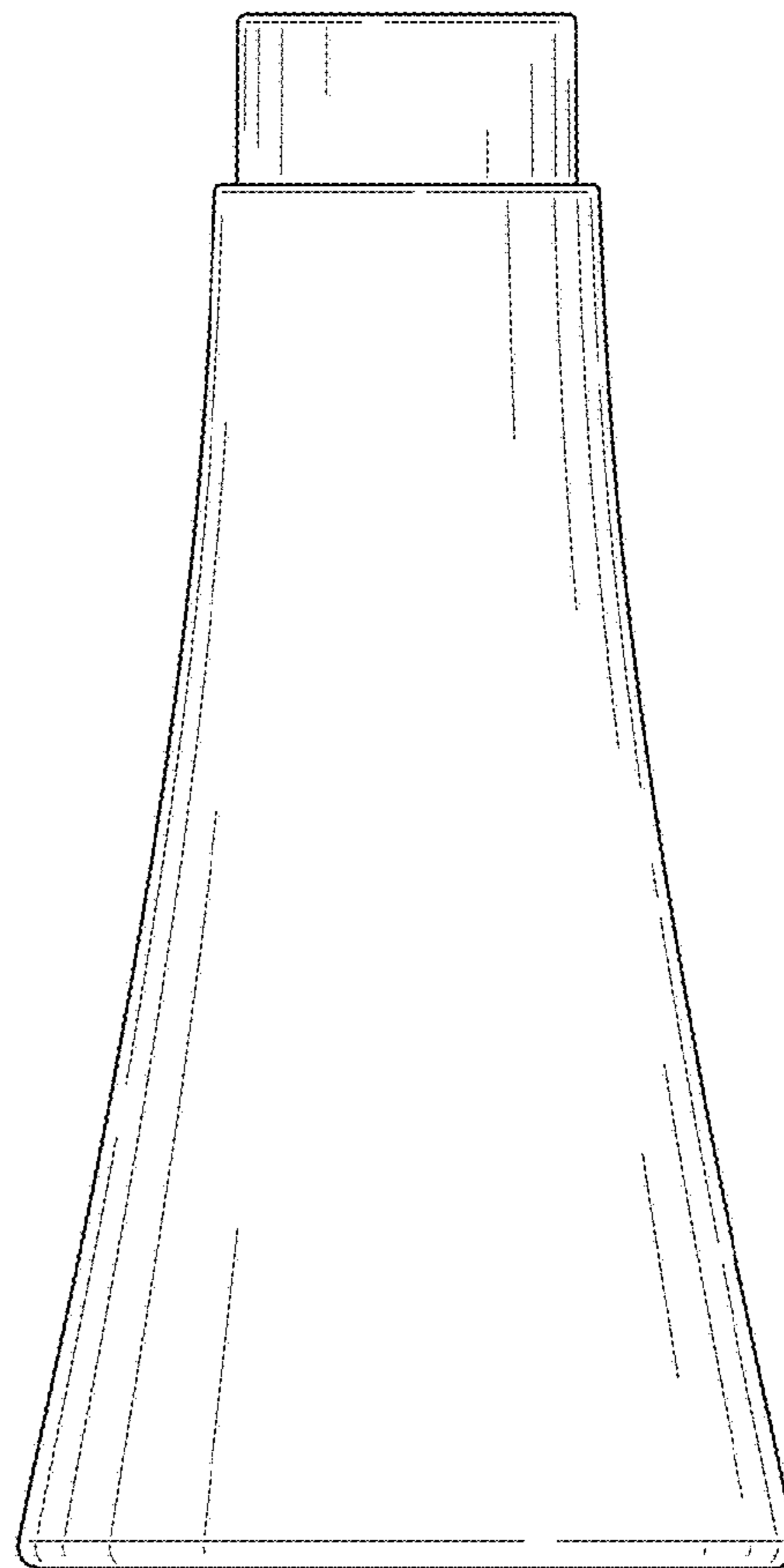


FIG. 3

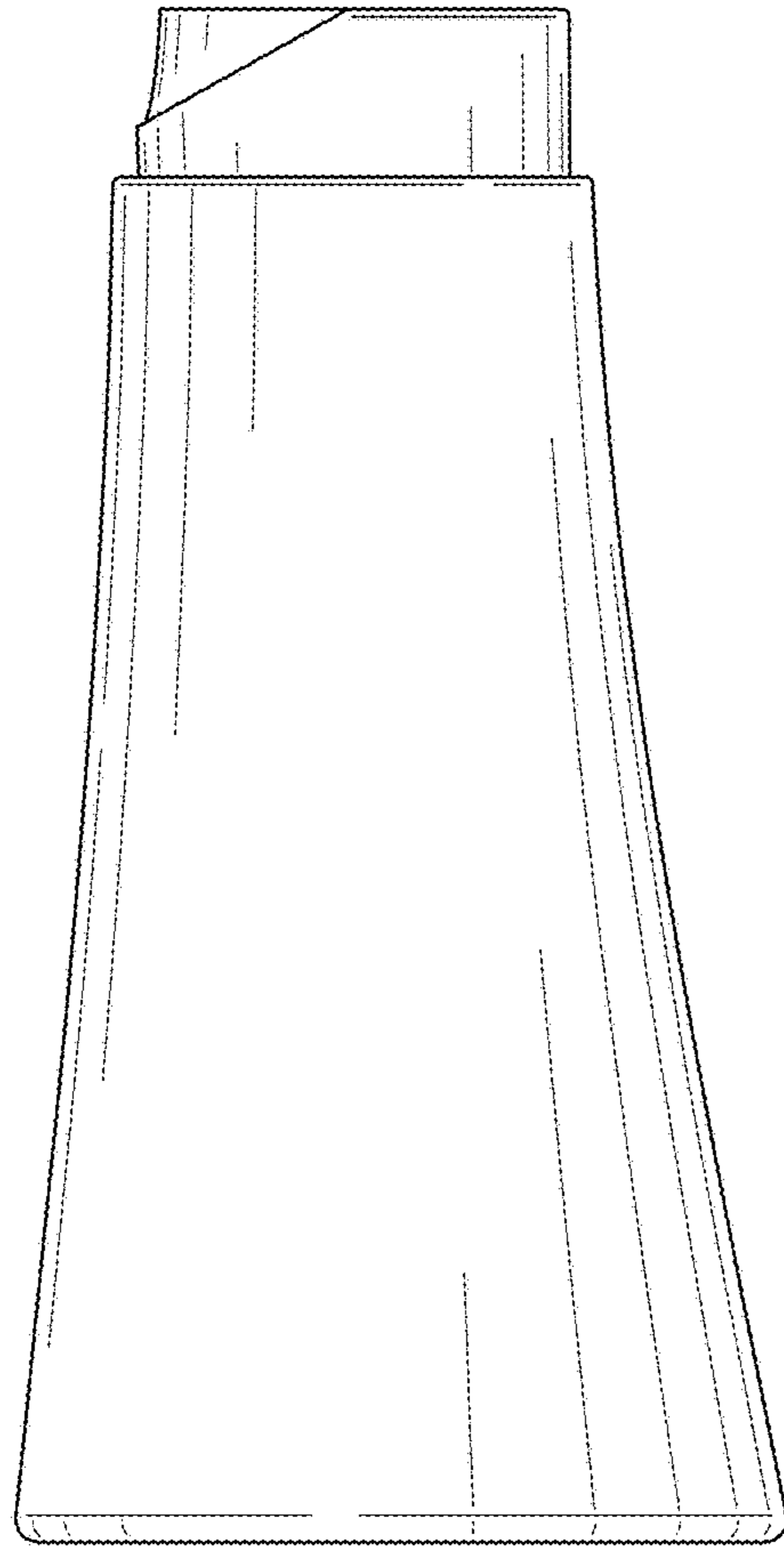


FIG. 4

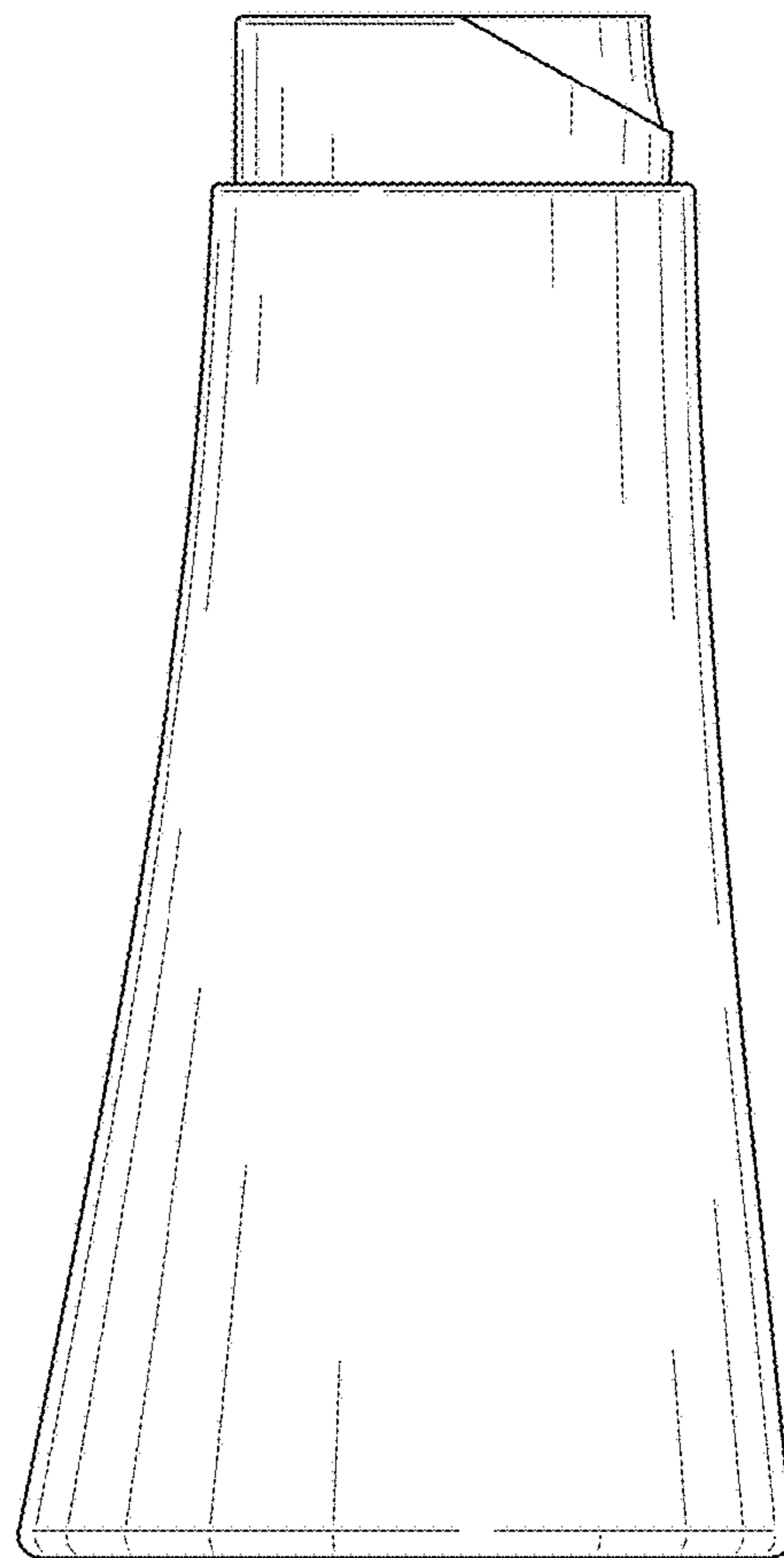


FIG. 5

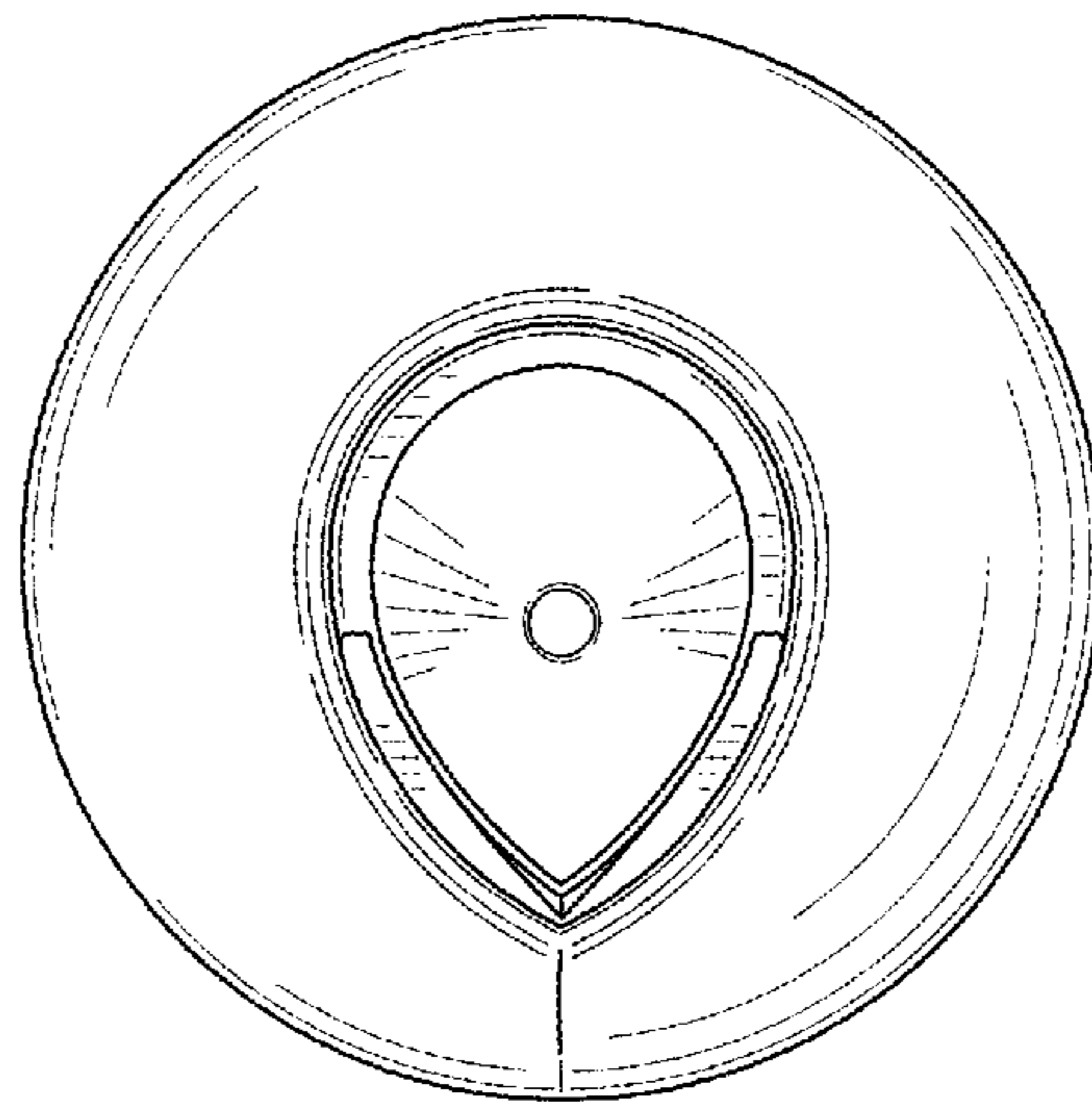


FIG. 6

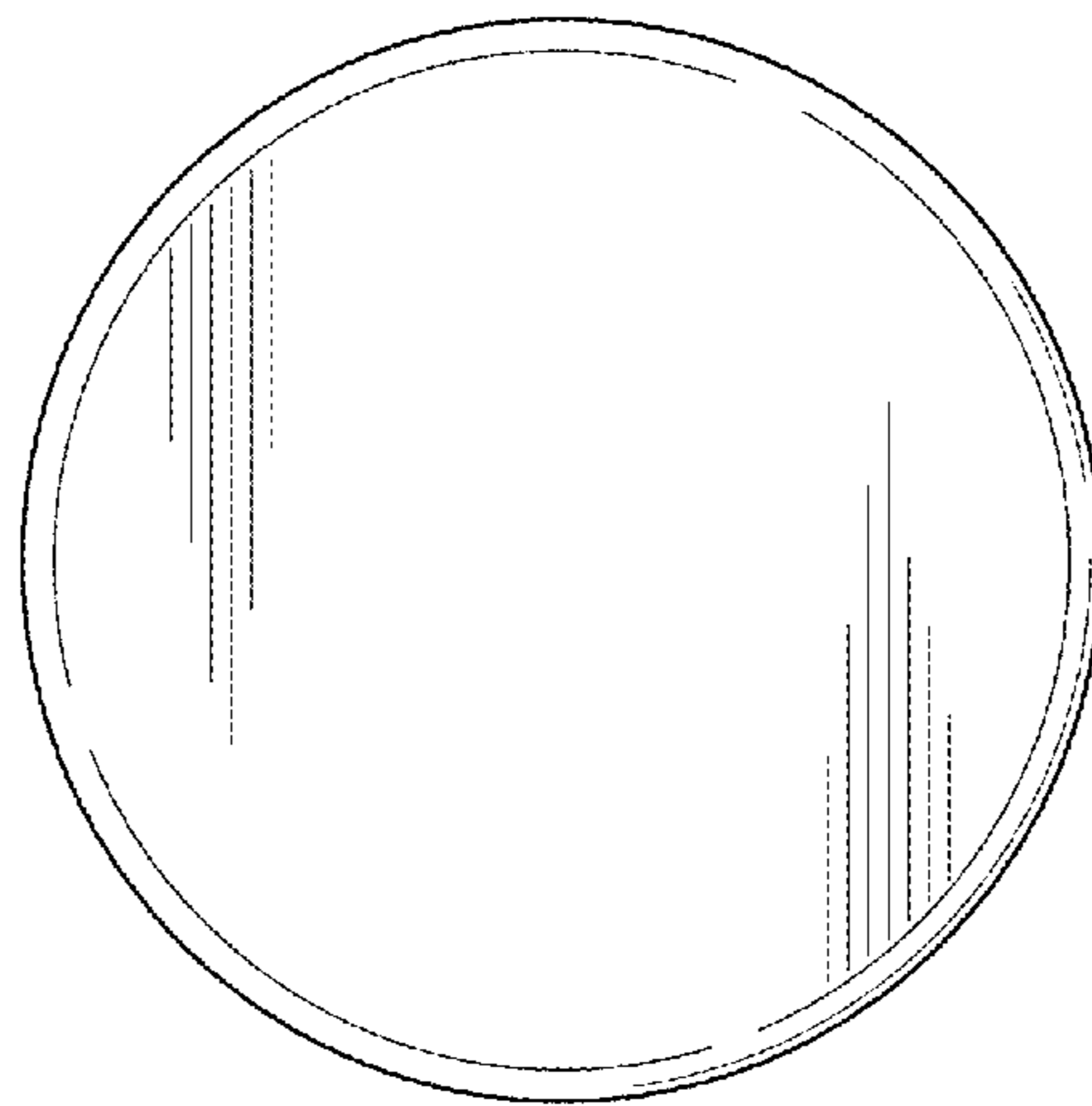


FIG. 7