

US00D847650S

(12) **United States Design Patent**
Hudson et al.

(10) **Patent No.:** **US D847,650 S**

(45) **Date of Patent:** **** May 7, 2019**

(54) **STORAGE CONTAINER**

(71) Applicant: **THE SHERWIN-WILLIAMS COMPANY**, Cleveland, OH (US)

(72) Inventors: **Richard D. Hudson**, North Olmsted, OH (US); **James J. Johnson**, Akron, OH (US); **Gustavo A. Morales**, Brunswick, OH (US); **Edward Ray Goodwin, Jr.**, Westlake, OH (US); **Michael C. Lambertson, Jr.**, Aurora, OH (US); **Charles T. Buckel, Jr.**, Valley City, OH (US)

(73) Assignee: **THE SHERWIN-WILLIAMS COMPANY**, Cleveland, OH (US)

(**) Term: **15 Years**

(21) Appl. No.: **29/645,014**

(22) Filed: **Apr. 23, 2018**

Related U.S. Application Data

(63) Continuation of application No. 29/559,224, filed on Mar. 25, 2016, now Pat. No. Des. 818,830.

(51) **LOC (11) Cl.** **09-01**

(52) **U.S. Cl.**
USPC **D9/528**; D9/531; D9/575

(58) **Field of Classification Search**
USPC D7/598, 600; D9/454, 516, 522-524, D9/526-528, 530-533, 537, 540, 544, D9/545, 549, 575, 715, 719, 741-745; D32/53, 53.1, 54; D23/211, 211.1, 212
CPC B44D 3/12; B65D 25/32; B65D 21/0231; B65D 23/102; B65D 47/06
See application file for complete search history.

(56) **References Cited**

U.S. PATENT DOCUMENTS

D340,189 S 10/1993 Fletcher
D378,494 S 3/1997 Miller

5,855,304 A 1/1999 Dean
D431,472 S 10/2000 Cain
D460,845 S 7/2002 Bergman
6,708,838 B2 3/2004 Bergman
D505,076 S 5/2005 Logan
6,983,862 B2* 1/2006 Nottingham B01F 15/00733
206/508
D548,603 S * 8/2007 Young D9/531
D573,475 S * 7/2008 Nottingham D9/531

(Continued)

Primary Examiner — Ian Simmons

Assistant Examiner — Keith Frank

(74) *Attorney, Agent, or Firm* — Tucker Ellis LLP

(57) **CLAIM**

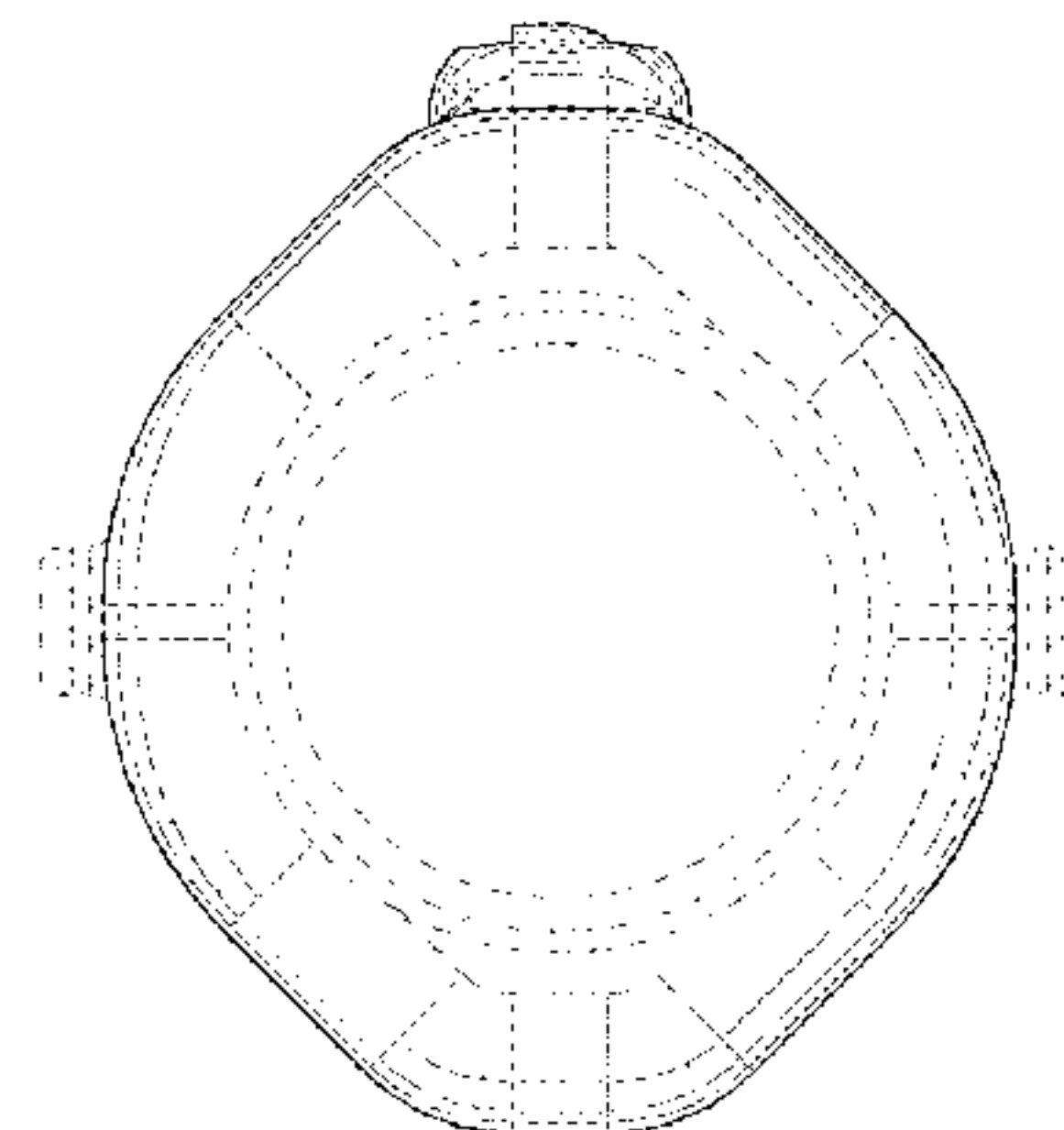
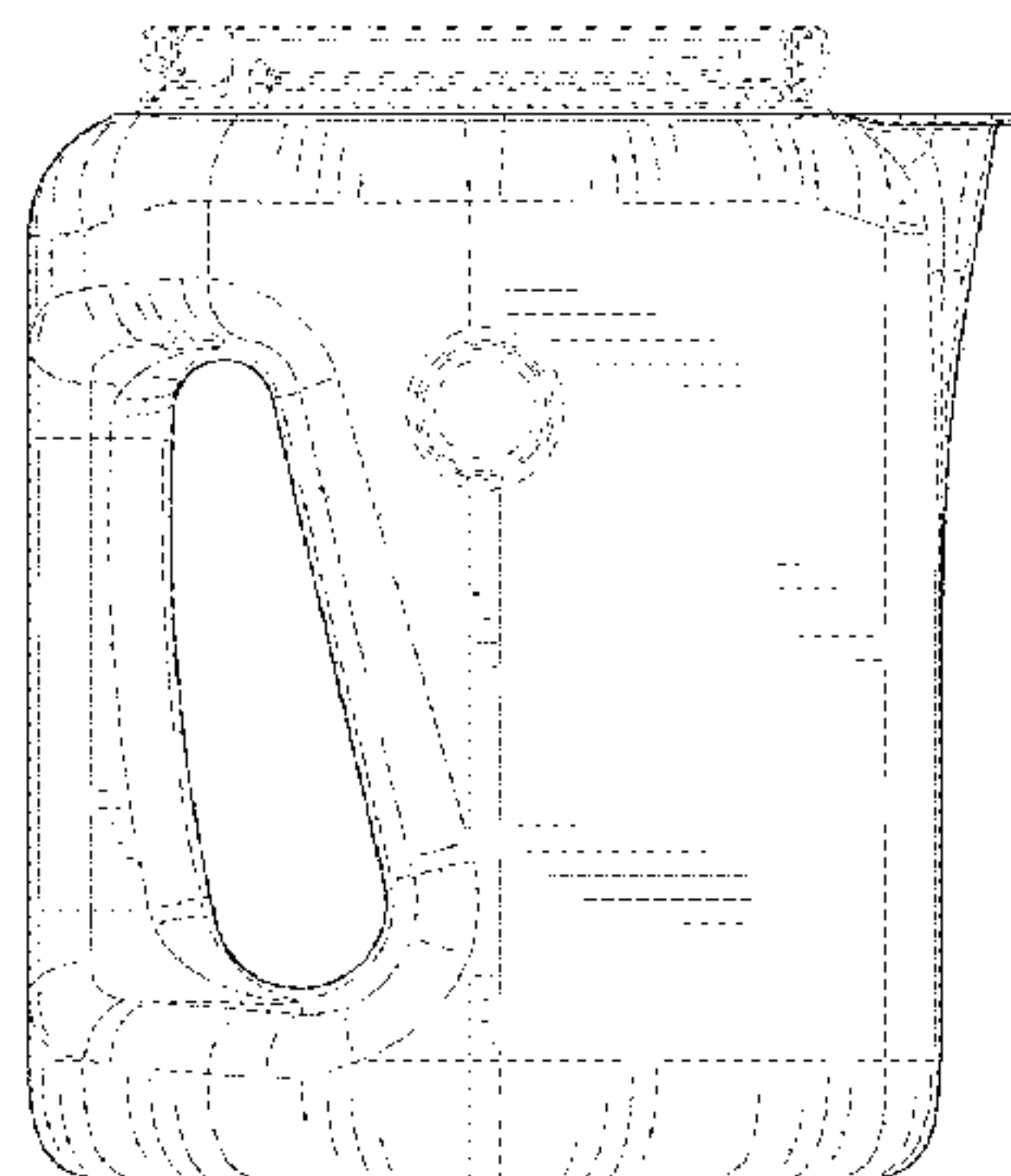
The ornamental design for a storage container, as shown and described.

DESCRIPTION

FIG. 1 is a perspective view of a storage container showing our new design;
FIG. 2 is a rear perspective view of the storage container illustrated in FIG. 1;
FIG. 3 is a front view of the storage container illustrated in FIG. 1;
FIG. 4 is a rear view of the storage container illustrated in FIG. 1;
FIG. 5 is a left side view of the storage container illustrated in FIG. 1;
FIG. 6 is a right side view of the storage container illustrated in FIG. 1;
FIG. 7 is a bottom view of the storage container illustrated in FIG. 1; and,
FIG. 8 is a top view of the storage container illustrated in FIG. 1.

The broken lines in the drawings showing the storage container illustrate the portions of the storage container that form no part of the claimed design.

1 Claim, 8 Drawing Sheets



(56)

References Cited

U.S. PATENT DOCUMENTS

D623,954 S 9/2010 Hawry
D653,548 S 2/2012 Wycoff
D691,052 S 10/2013 Minghetti
D722,885 S * 2/2015 Mooney D9/543
D744,186 S * 11/2015 Gringer D32/53.1
D751,913 S 3/2016 Seecof
9,290,310 B2 3/2016 Sinn
9,446,884 B2 * 9/2016 McGinley A47G 19/12
D783,917 S * 4/2017 Gringer D32/53.1
D794,445 S * 8/2017 Yourist D23/211.1
D800,565 S * 10/2017 Bonaventura D9/524
2007/0187412 A1 * 8/2007 Gruskin B65D 1/10
220/500
2007/0187413 A1 8/2007 Gruskin
2007/0187420 A1 * 8/2007 Gruskin B65D 25/2897
220/771
2007/0261983 A1 * 11/2007 Flanagan-Kent
B65D 21/0231
206/510

* cited by examiner

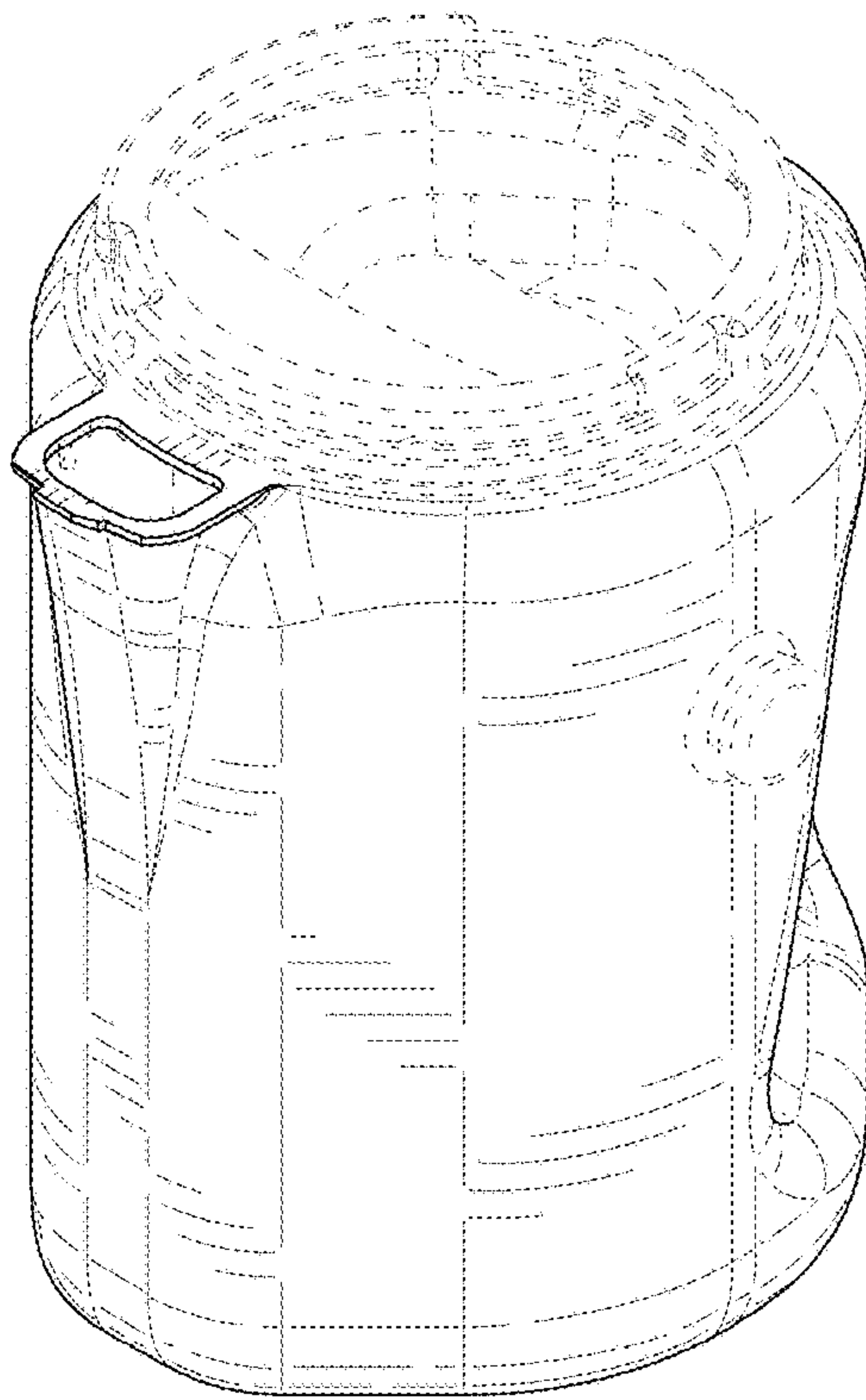


FIG. 1

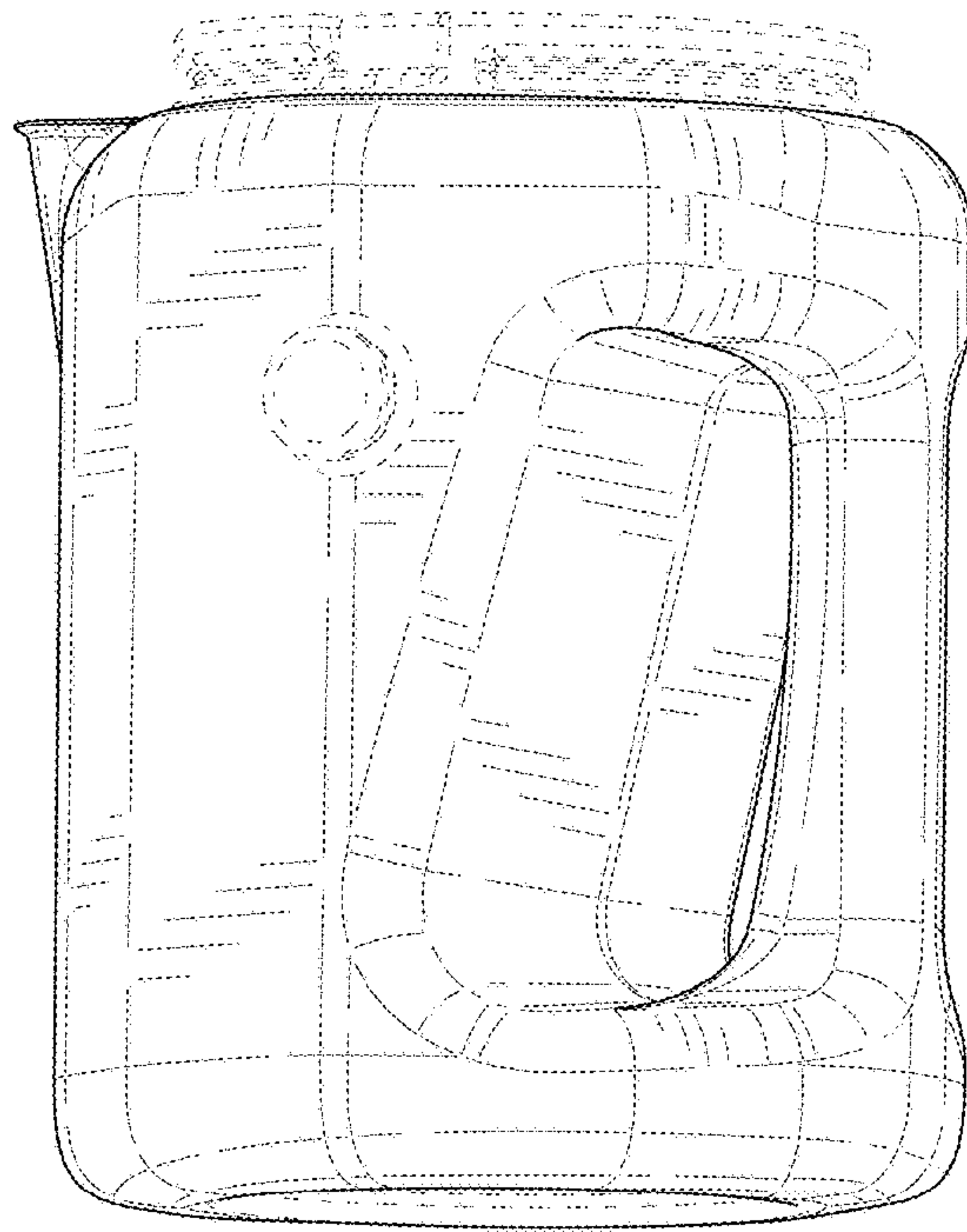


FIG. 2

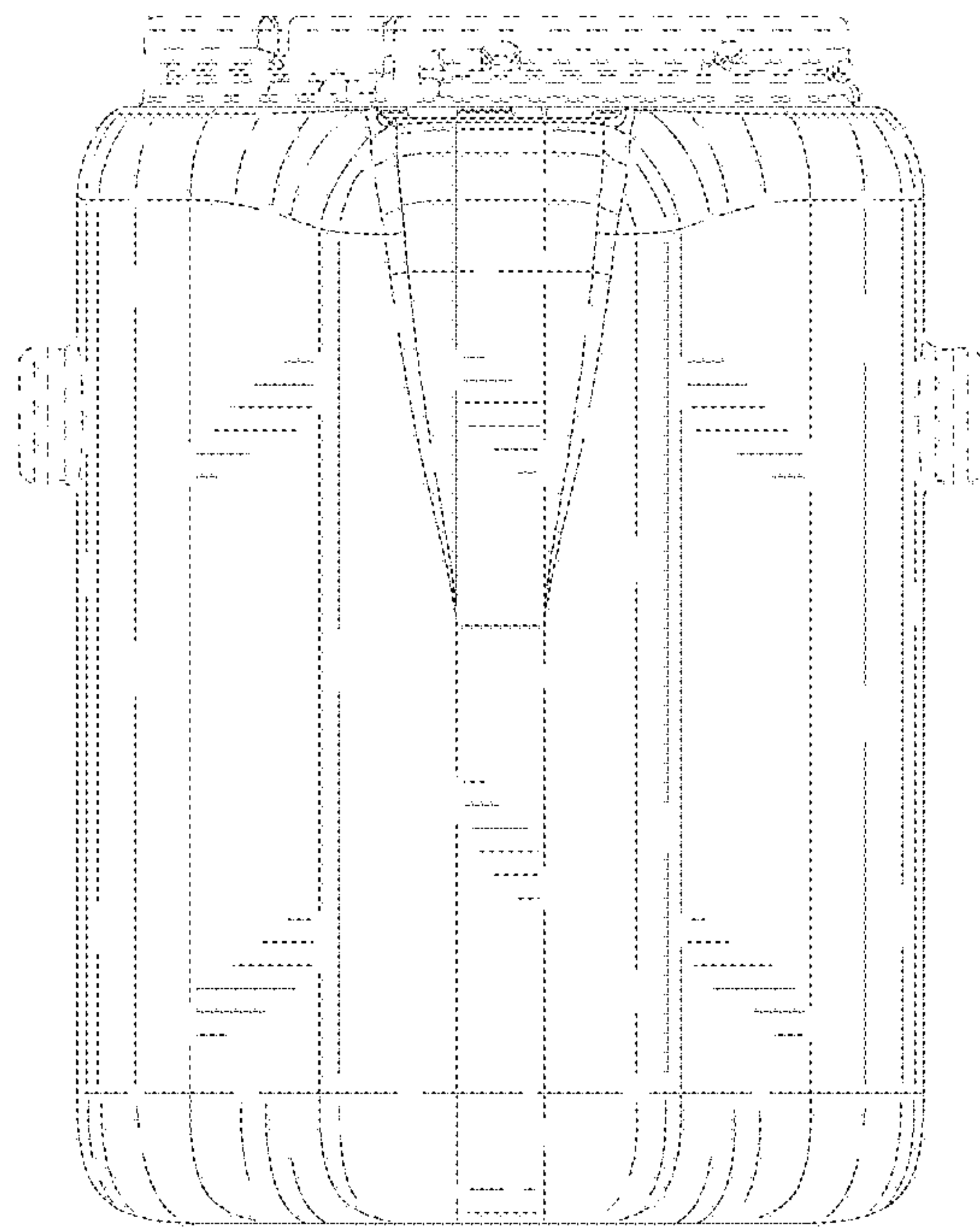


FIG. 3

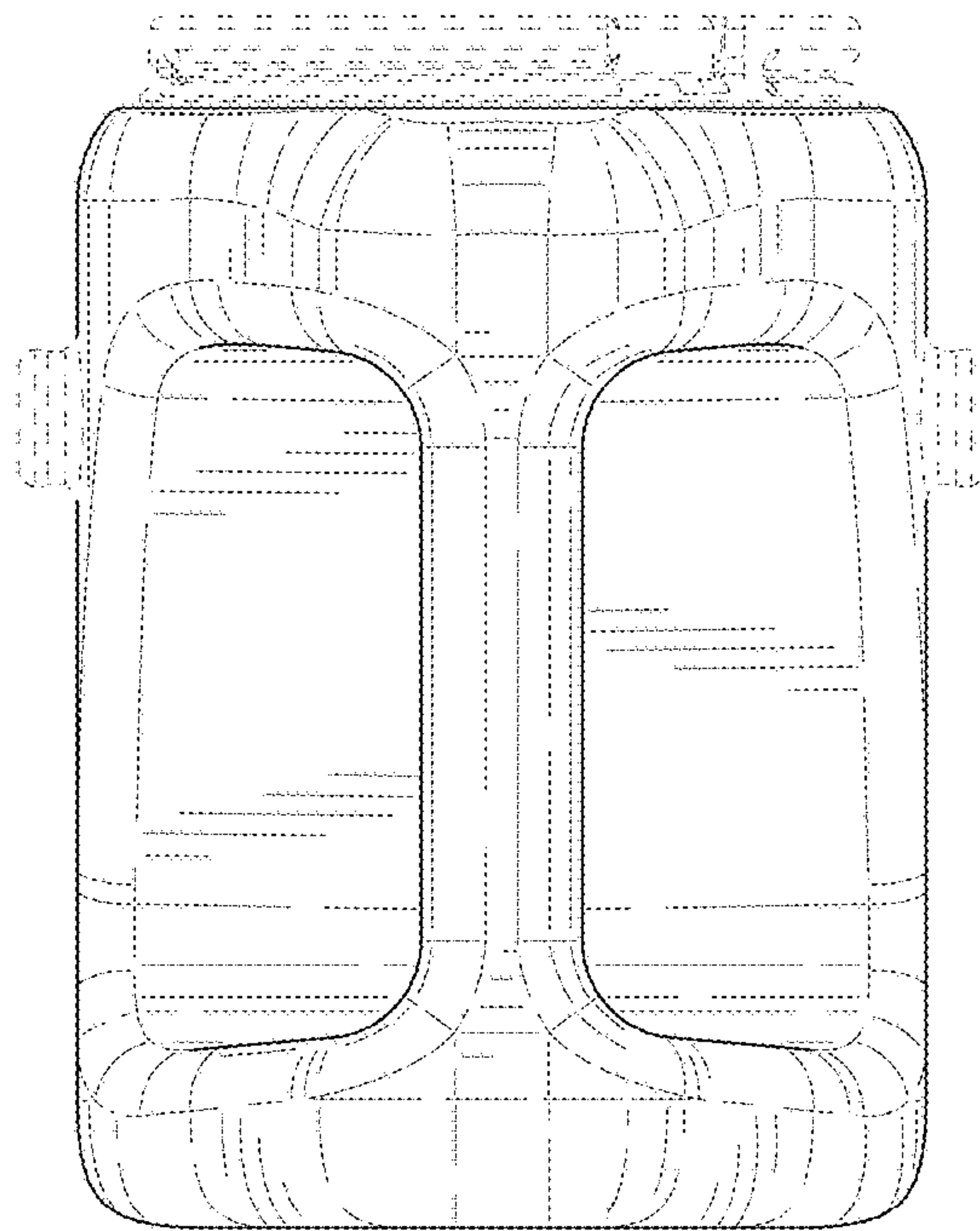


FIG. 4

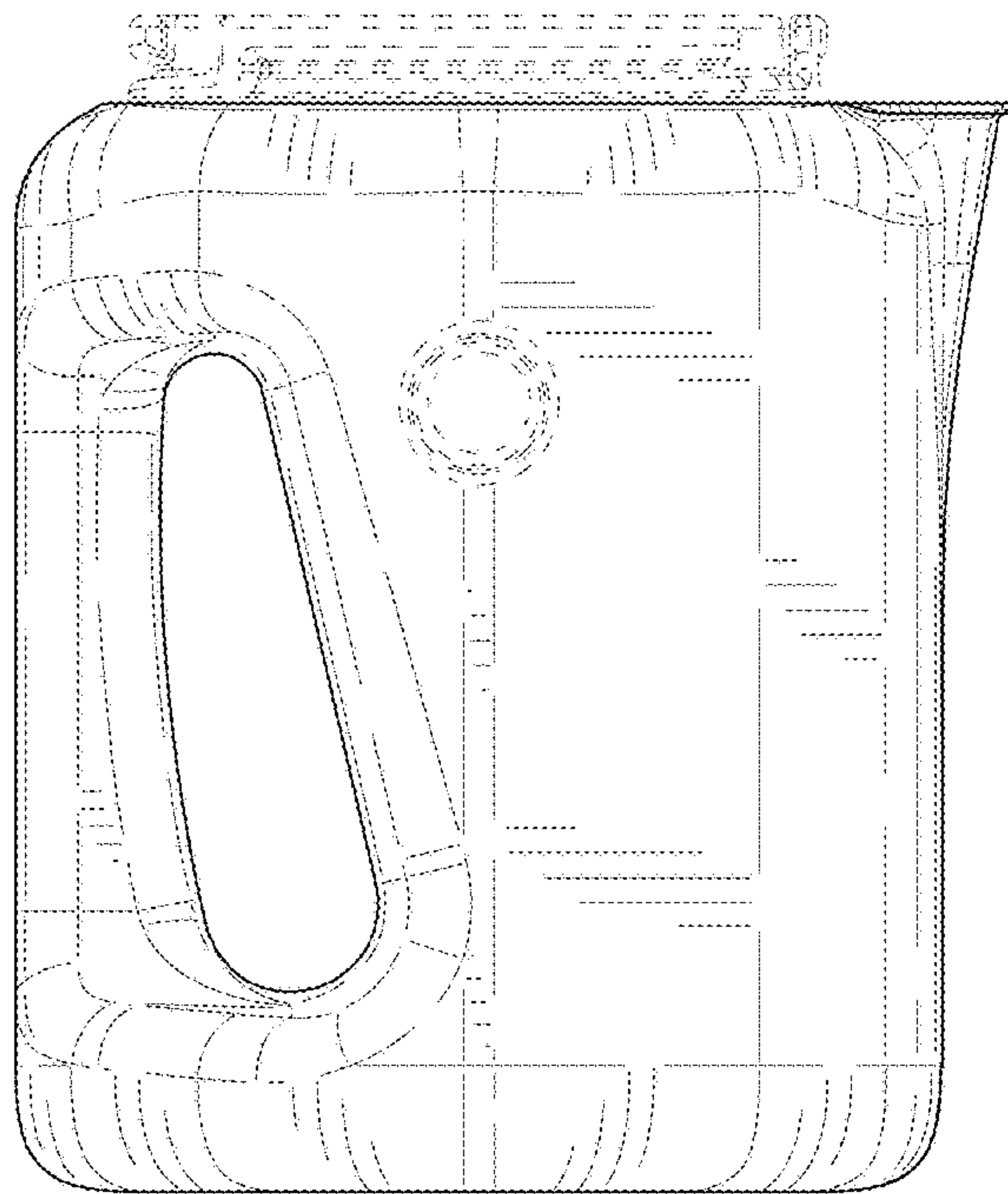


FIG. 5

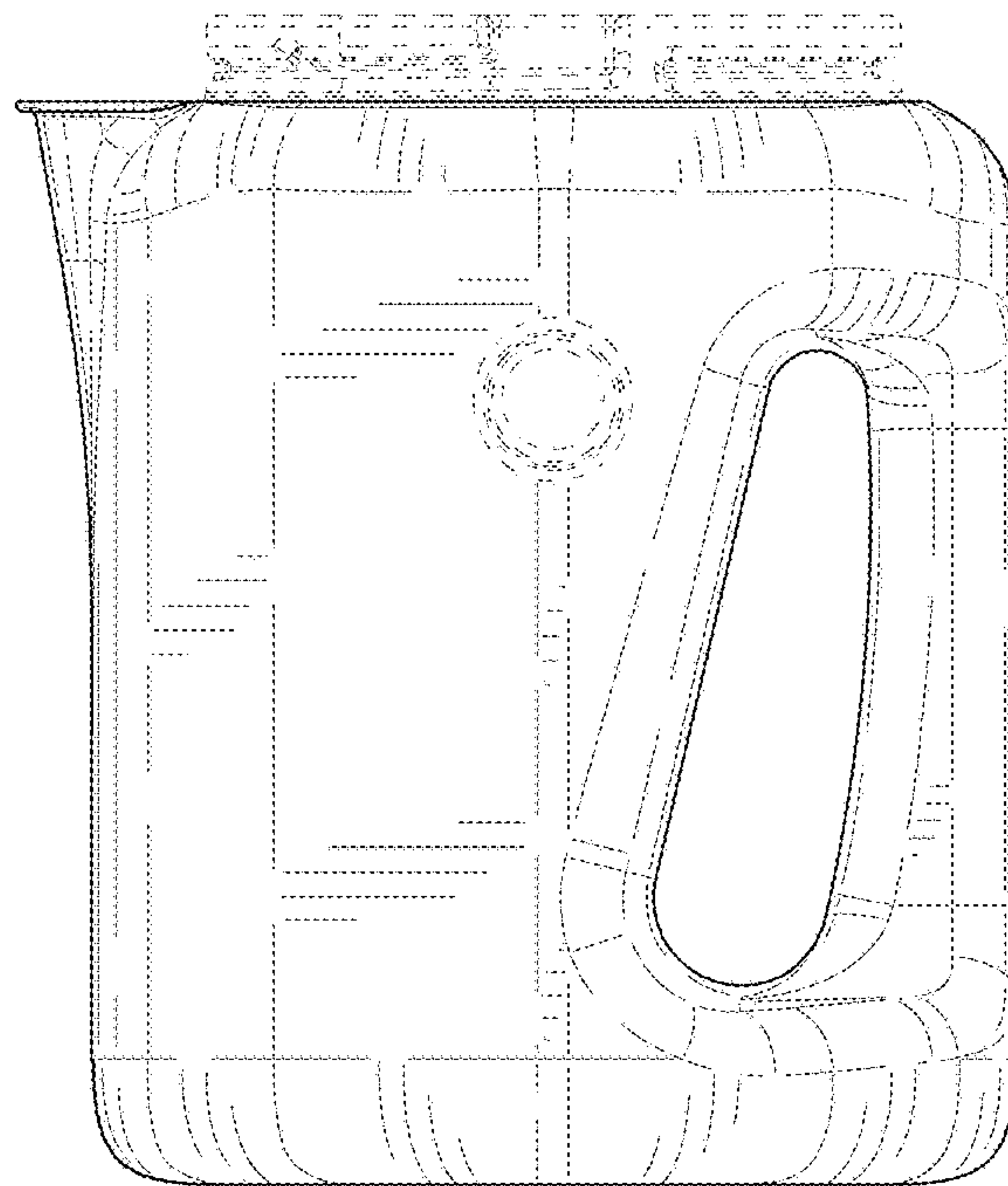


FIG. 6

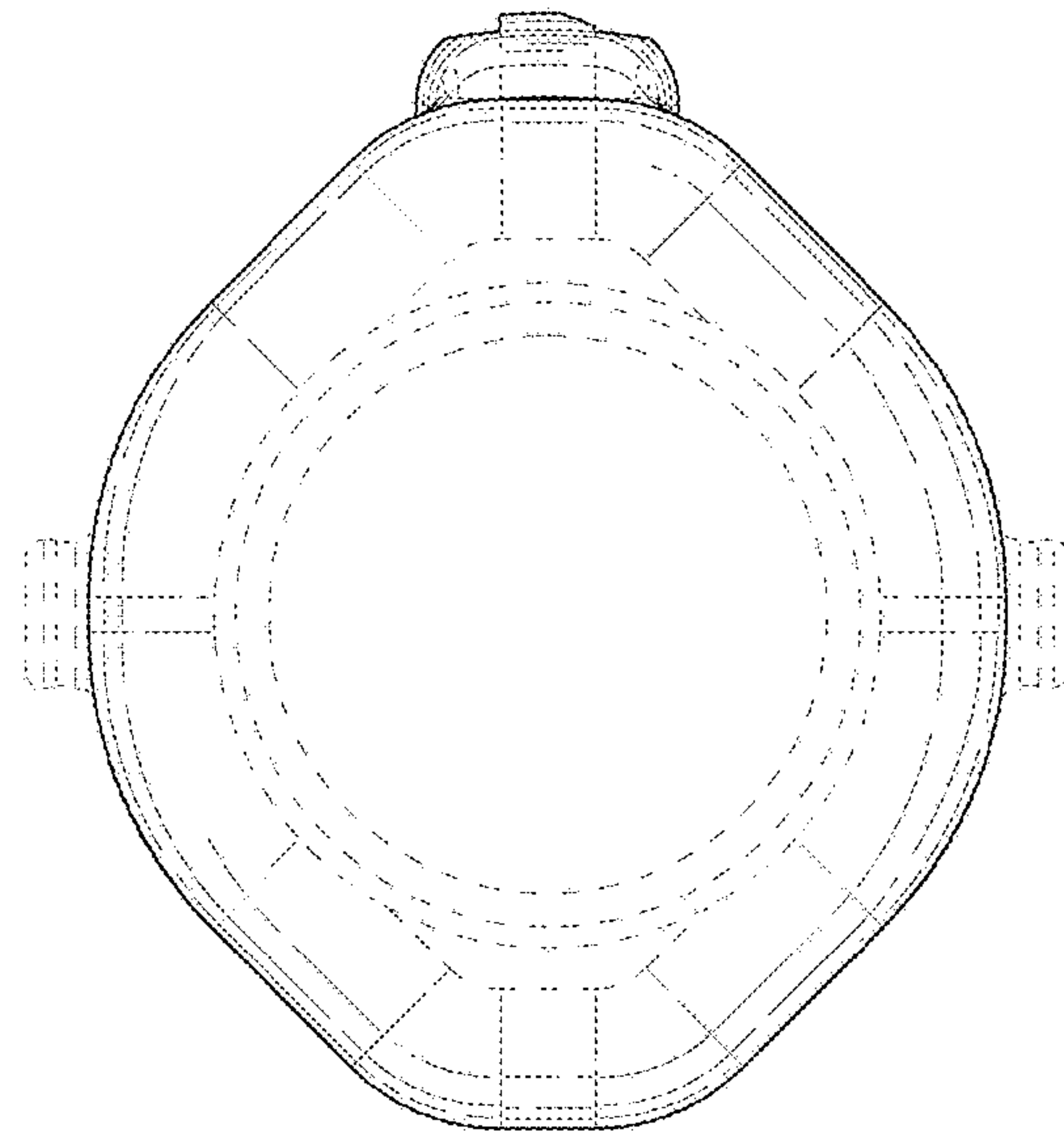


FIG. 7

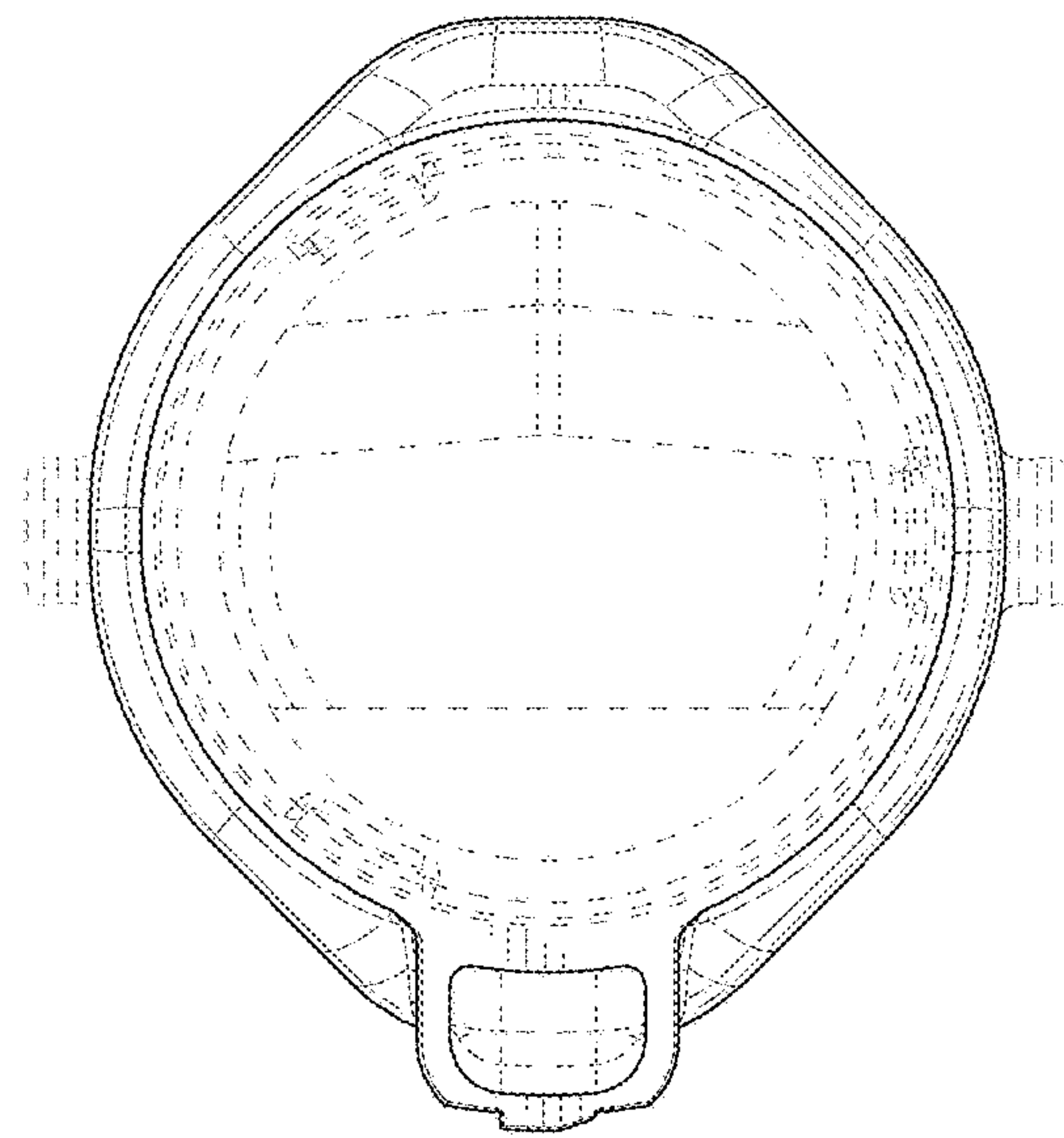


FIG. 8