

US00D847649S

(12) **United States Design Patent**
Harris et al.

(10) **Patent No.:** **US D847,649 S**

(45) **Date of Patent:** **** May 7, 2019**

(54) **CONTAINER**

(71) Applicant: **Owens-Brockway Glass Container Inc., Perrysburg, OH (US)**

(72) Inventors: **Paul Harris, Toledo, OH (US); Raul Paredes, Perrysburg, OH (US); Douglas Laib, Perrysburg, OH (US); Lara Koenick, Boyds, MD (US); Andrew Birkhoff, Columbus, OH (US); Young Lee, Perrysburg, OH (US)**

(73) Assignee: **Owens-Brockway Glass Container Inc., Perrysburg, OH (US)**

(**) Term: **15 Years**

(21) Appl. No.: **29/647,320**

(22) Filed: **May 11, 2018**

(51) **LOC (11) Cl.** **09-01**

(52) **U.S. Cl.**
USPC **D9/516; D9/500**

(58) **Field of Classification Search**
USPC D9/500, 502-505, 516, 530, 537,
D9/539-540, 544-546, 549, 558, 715,
D9/719

CPC B65D 1/00; B65D 1/02; B65D 1/0223;
B65D 23/00; B65D 81/00; B65D
2501/00; B65D 2501/0009

See application file for complete search history.

(56) **References Cited**

U.S. PATENT DOCUMENTS

D104,453 S * 5/1937 Kihn D9/538
D132,052 S * 4/1942 Trees D9/500
D250,879 S * 1/1979 Marks D9/551
D418,051 S * 12/1999 van Wyk D9/500
D434,661 S * 12/2000 Zambrano V. D9/500

D476,571 S * 7/2003 Lince D9/500
D522,366 S * 6/2006 Scott
D522,869 S * 6/2006 Leshyk D9/538
D530,214 S 10/2006 Scott
D623,534 S * 9/2010 Shearsby D9/503
D626,419 S * 11/2010 Adamson D9/454
8,097,662 B2 * 1/2012 Schmidt A23L 3/3436
523/100
D657,245 S * 4/2012 Delbon D9/500
8,309,622 B2 * 11/2012 Schmidt A23L 3/3436
523/100
D687,302 S 8/2013 Reynolds
D692,761 S 11/2013 Staley
D697,405 S 1/2014 Ahlgren et al.
D704,068 S * 5/2014 Robin-Prevallee D9/500
D713,250 S 9/2014 Perez-Cabrera
D766,092 S 9/2016 Maillet et al.
D786,076 S * 5/2017 Redondo D9/500
D793,863 S * 8/2017 Huynen D9/503

* cited by examiner

Primary Examiner — Dana Meyrow

(57) **CLAIM**

We claim the ornamental design for a container, as shown and described.

DESCRIPTION

FIG. 1 is a perspective view of a container in accordance with our new design;

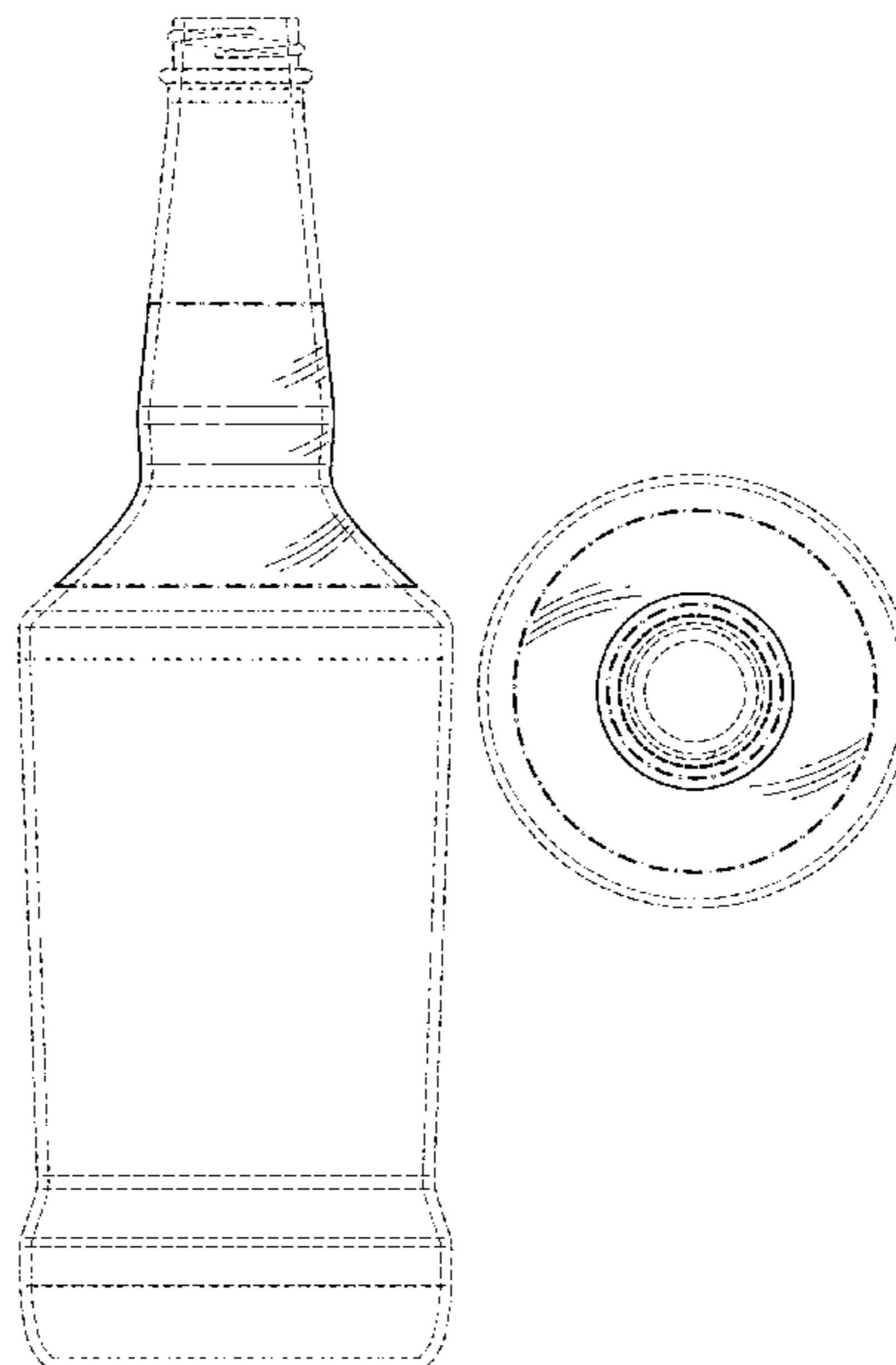
FIG. 2 is a front view of the container in FIG. 1, the rear and side views of the claimed design being identical to the front view of FIG. 2.

FIG. 3 is a top view of the container in FIG. 1; and, FIG. 4 is a bottom view of the container in FIG. 1.

Dash-dash-dash broken lines shown in the drawings represent subject matter that is not part of the claimed design.

Dash-dot-dash broken lines shown in the drawings represent boundaries of the claimed design and are not part of the claimed design.

1 Claim, 2 Drawing Sheets



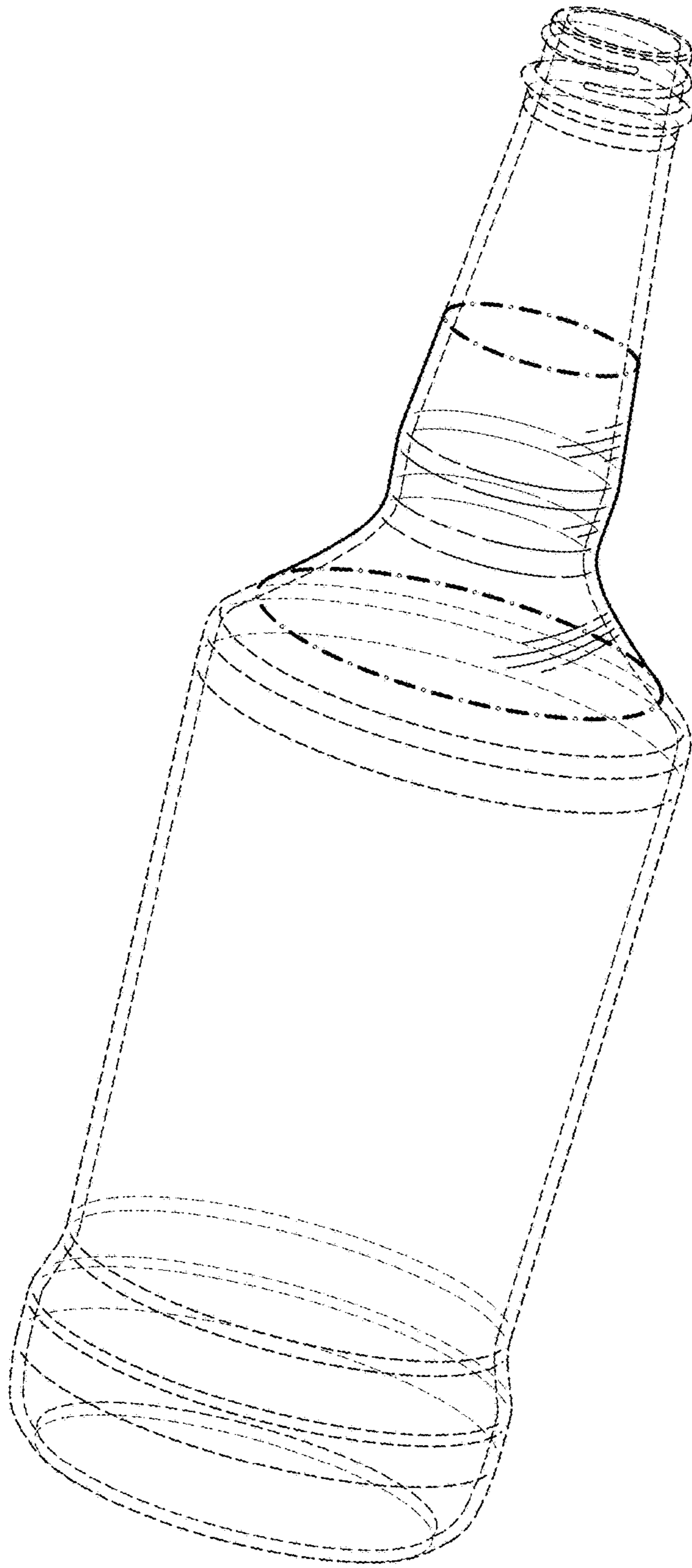


FIG. 1

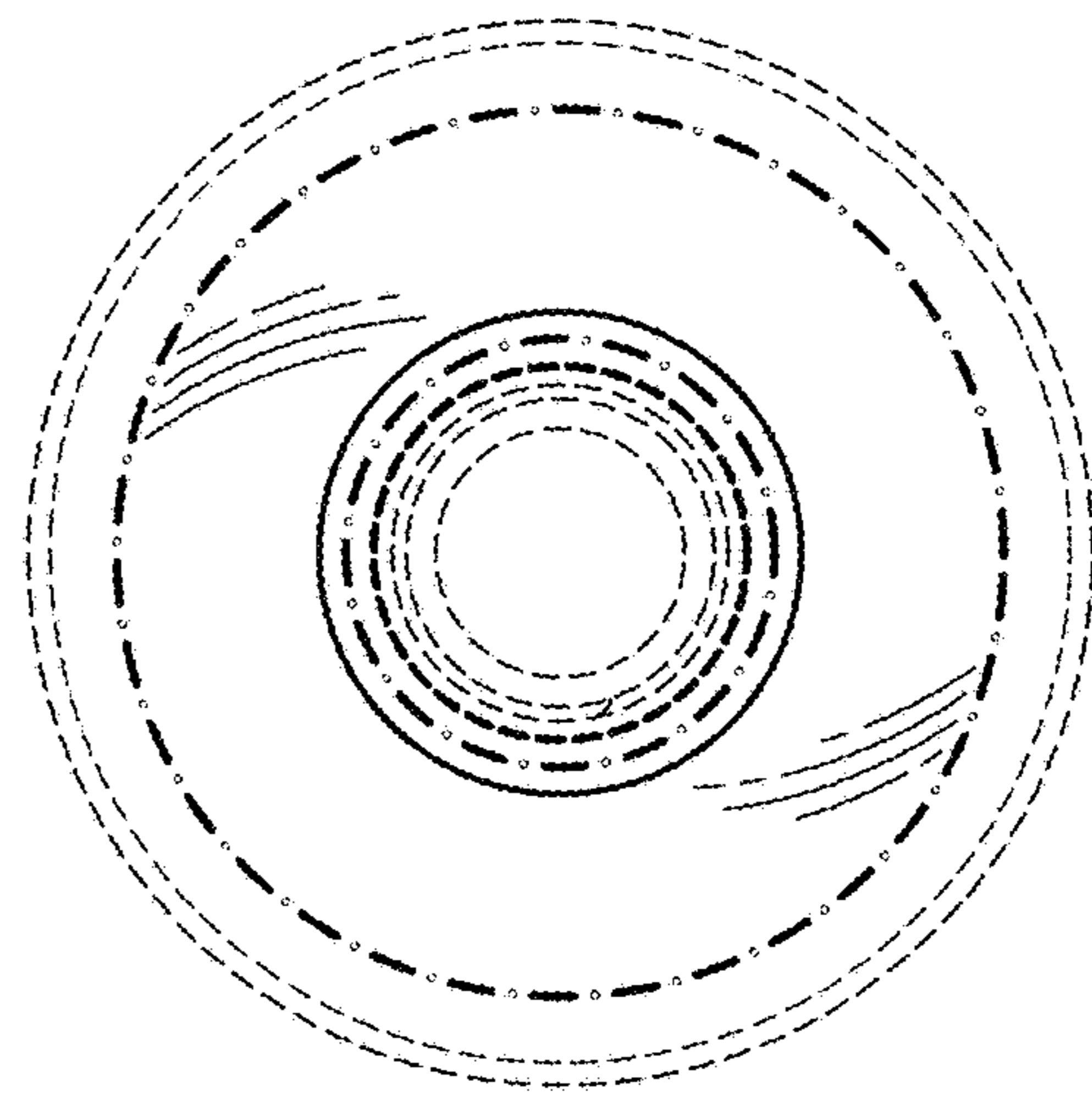


FIG. 3

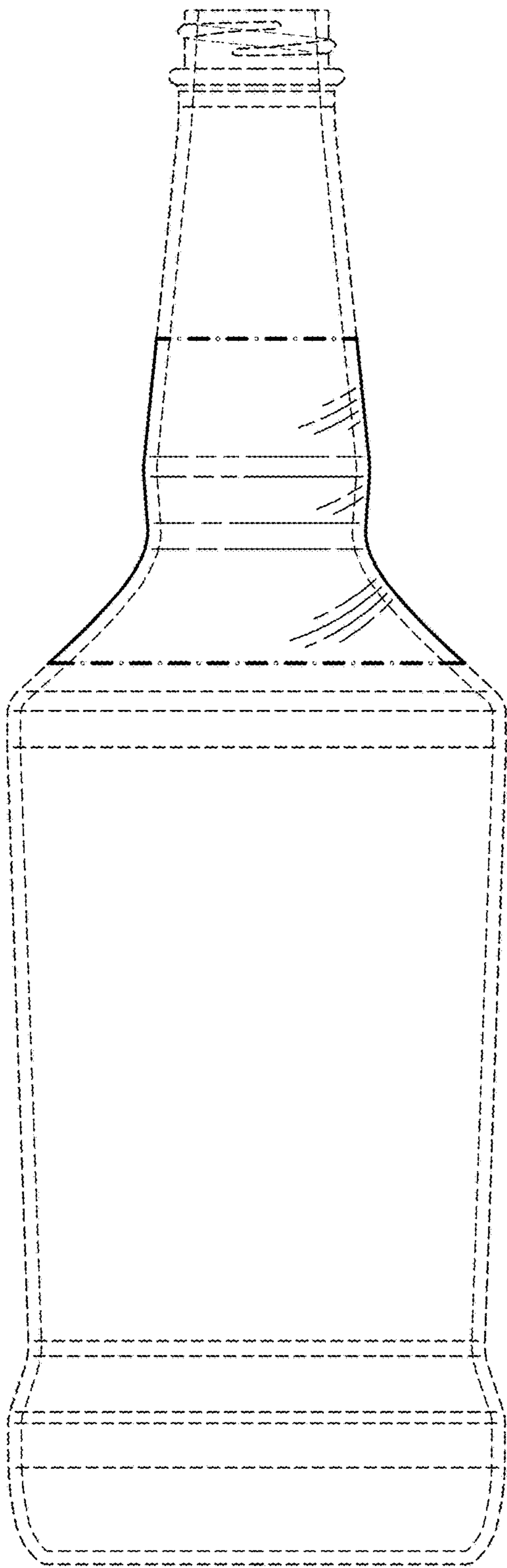


FIG. 2

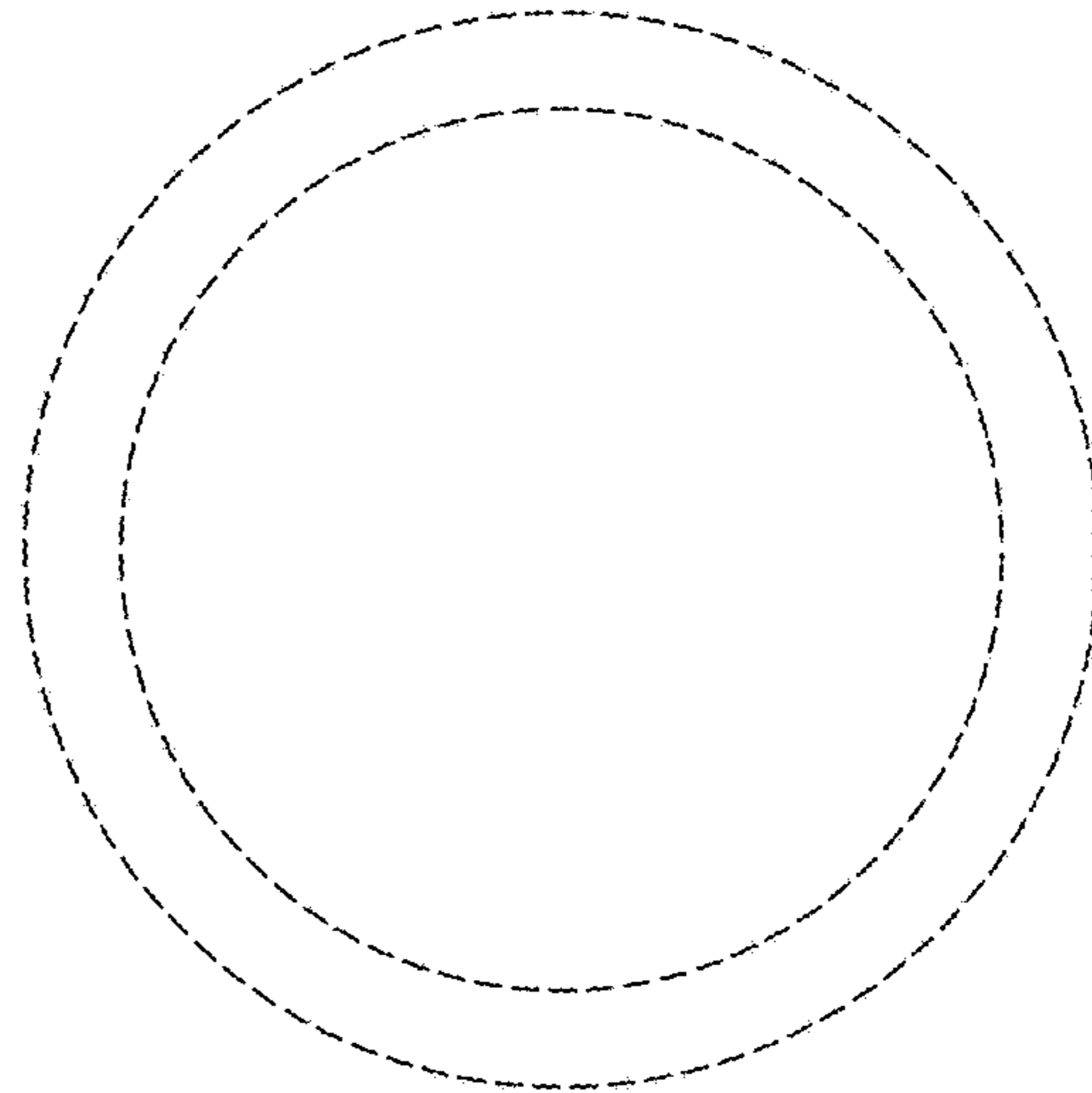


FIG. 4