



US00D847648S

(12) **United States Design Patent** (10) **Patent No.:** **US D847,648 S**  
**Birkhoff et al.** (45) **Date of Patent:** **\*\* May 7, 2019**

(54) **CONTAINER**

(71) Applicant: **Owens-Brockway Glass Container Inc.**, Perrysburg, OH (US)

(72) Inventors: **Andrew Birkhoff**, Columbus, OH (US); **Raul Paredes**, Perrysburg, OH (US); **Douglas Laib**, Perrysburg, OH (US); **Lara Koenick**, Boyds, MD (US); **Young Lee**, Perrysburg, OH (US); **Paul Harris**, Toledo, OH (US)

(73) Assignee: **Owens-Brockway Glass Container Inc.**, Perrysburg, OH (US)

(\*\*) Term: **15 Years**

(21) Appl. No.: **29/647,319**

(22) Filed: **May 11, 2018**

(51) **LOC (11) Cl.** ..... **09-01**

(52) **U.S. Cl.**

USPC ..... **D9/516**; D9/500

(58) **Field of Classification Search**

USPC ..... D9/500, 502–505, 516, 530, 537,  
D9/539–540, 544–546, 549, 550, 558,  
D9/715, 719

CPC ..... B65D 1/00; B65D 1/02; B65D 1/0223;  
B65D 23/00; B65D 81/00; B65D  
2501/00; B65D 2501/0009

See application file for complete search history.

(56) **References Cited**

**U.S. PATENT DOCUMENTS**

D54,977 S *	4/1920	Morrison	.....	D9/505
D234,291 S *	2/1975	Broadhead	.....	D9/500
D332,051 S *	12/1992	Kinslow, Jr.	.....	D9/520
D452,648 S *	1/2002	Jakubiuk	.....	D9/628
D476,571 S	7/2003	Lince		
D484,415 S	12/2003	Hadtke et al.		
D623,534 S	9/2010	Shearsby et al.		

D680,435 S	4/2013	Wanet		
D682,697 S	5/2013	Gonzalez Rodriguez		
D698,256 S *	1/2014	Thompson	.....	D9/546
D706,633 S	6/2014	Reisig et al.		
D709,968 S	7/2014	Weiss et al.		
D787,332 S	5/2017	Peneda		
D802,434 S *	11/2017	Thompson	.....	D9/560

**OTHER PUBLICATIONS**

<http://beveragebusiness.com/2015/09/chivas-regal-12-year-old-new-packaging>.

\* cited by examiner

*Primary Examiner* — Dana Meyrow

(57) **CLAIM**

We claim the ornamental design for a container, as shown and described.

**DESCRIPTION**

FIG. 1 is a perspective view of a container in accordance with our new design;

FIG. 2 is a front view of the container in FIG. 1, the rear and side views of the claimed design being identical to the front view of FIG. 2.

FIG. 3 is an enlarged top view of the container in FIG. 1; and,

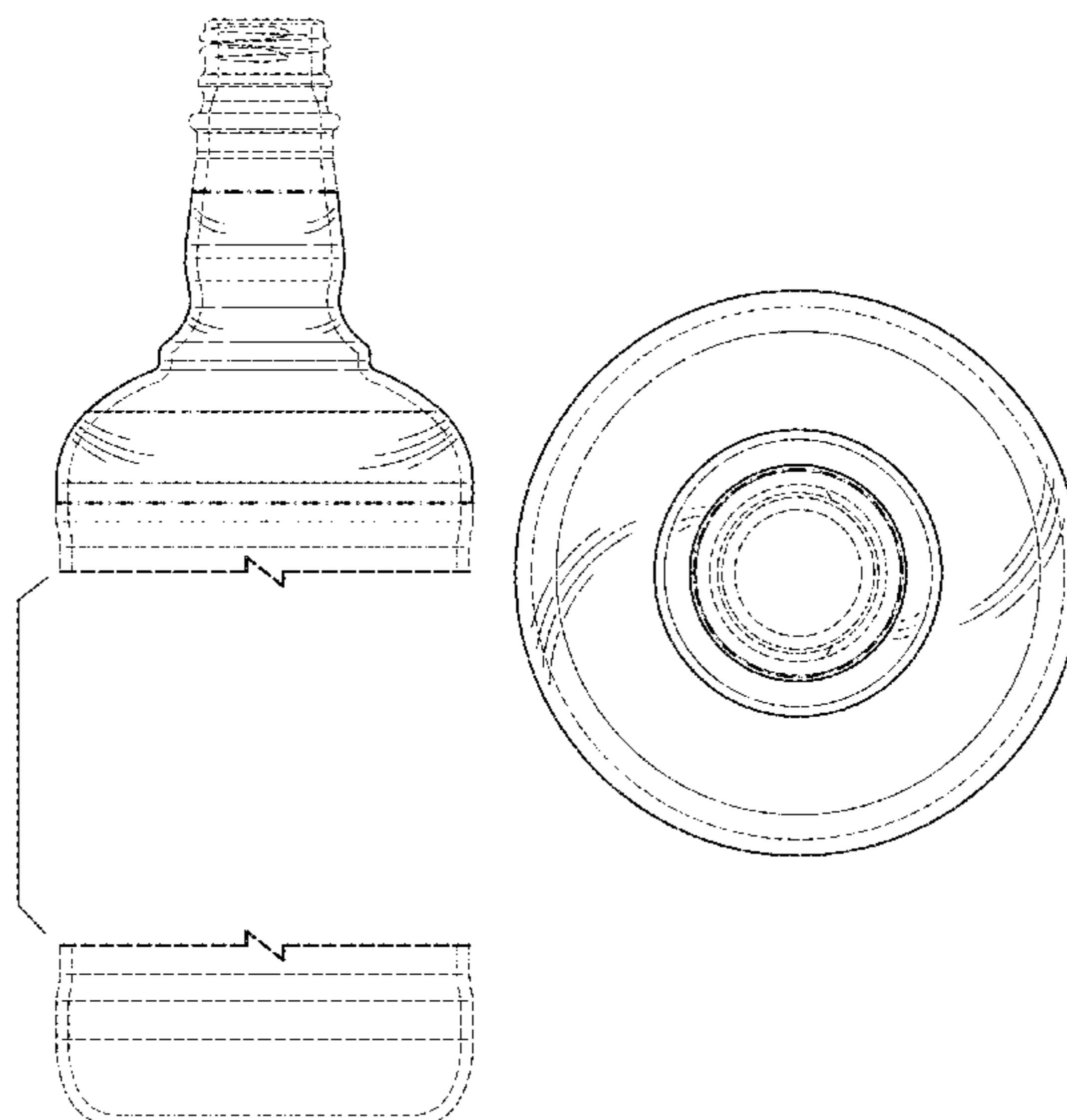
FIG. 4 is an enlarged bottom view of the container in FIG. 1.

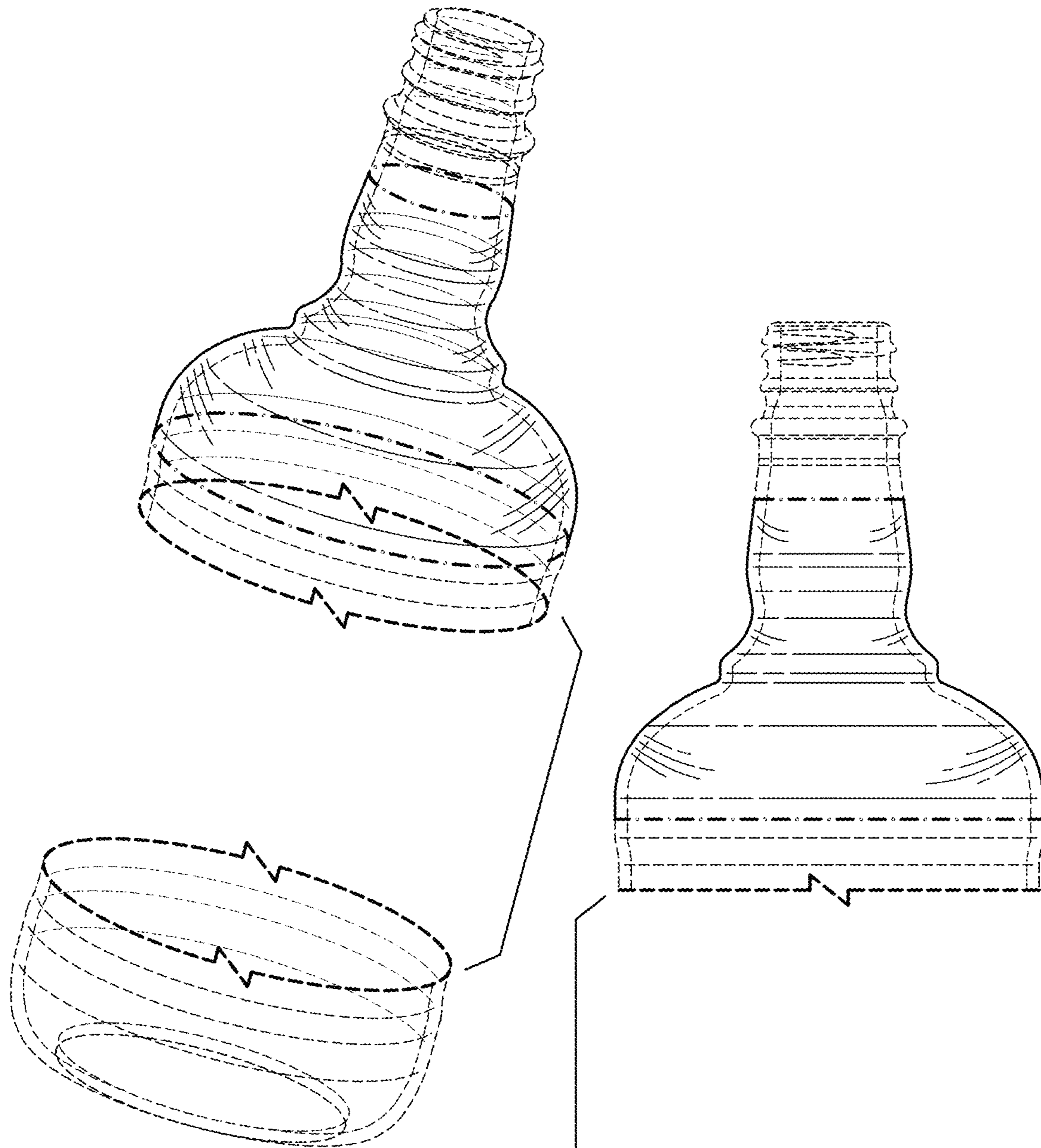
Dash-dash-dash broken lines shown in the drawings represent subject matter that is not part of the claimed design.

Dash-dot-dash broken lines shown in the drawings represent boundaries of the claimed design and are not part of the claimed design.

The heavy-weight evenly-dashed broken break lines, the brackets between the break lines and any portion of the container between the break lines form no part of the claimed design.

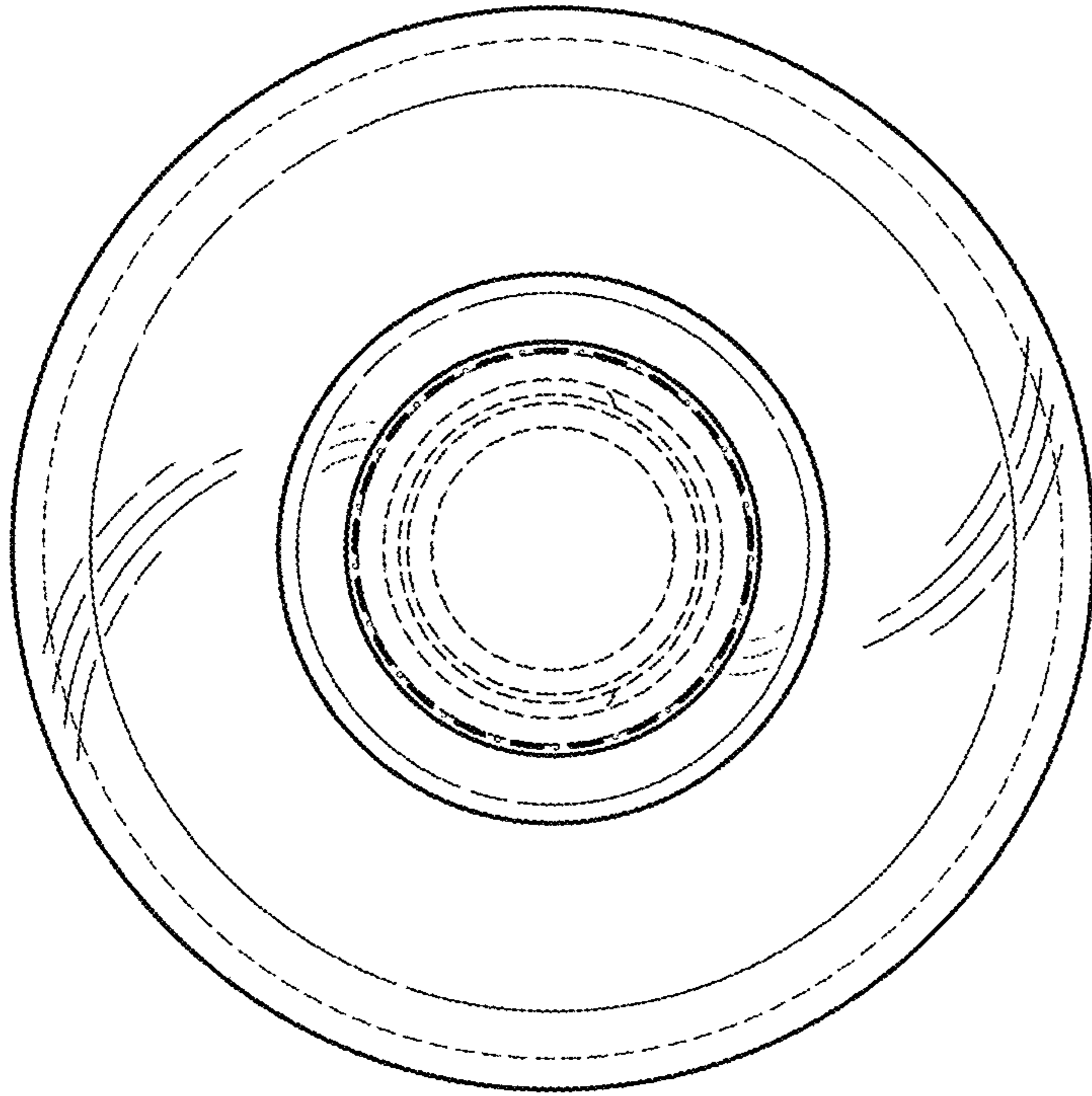
**1 Claim, 2 Drawing Sheets**



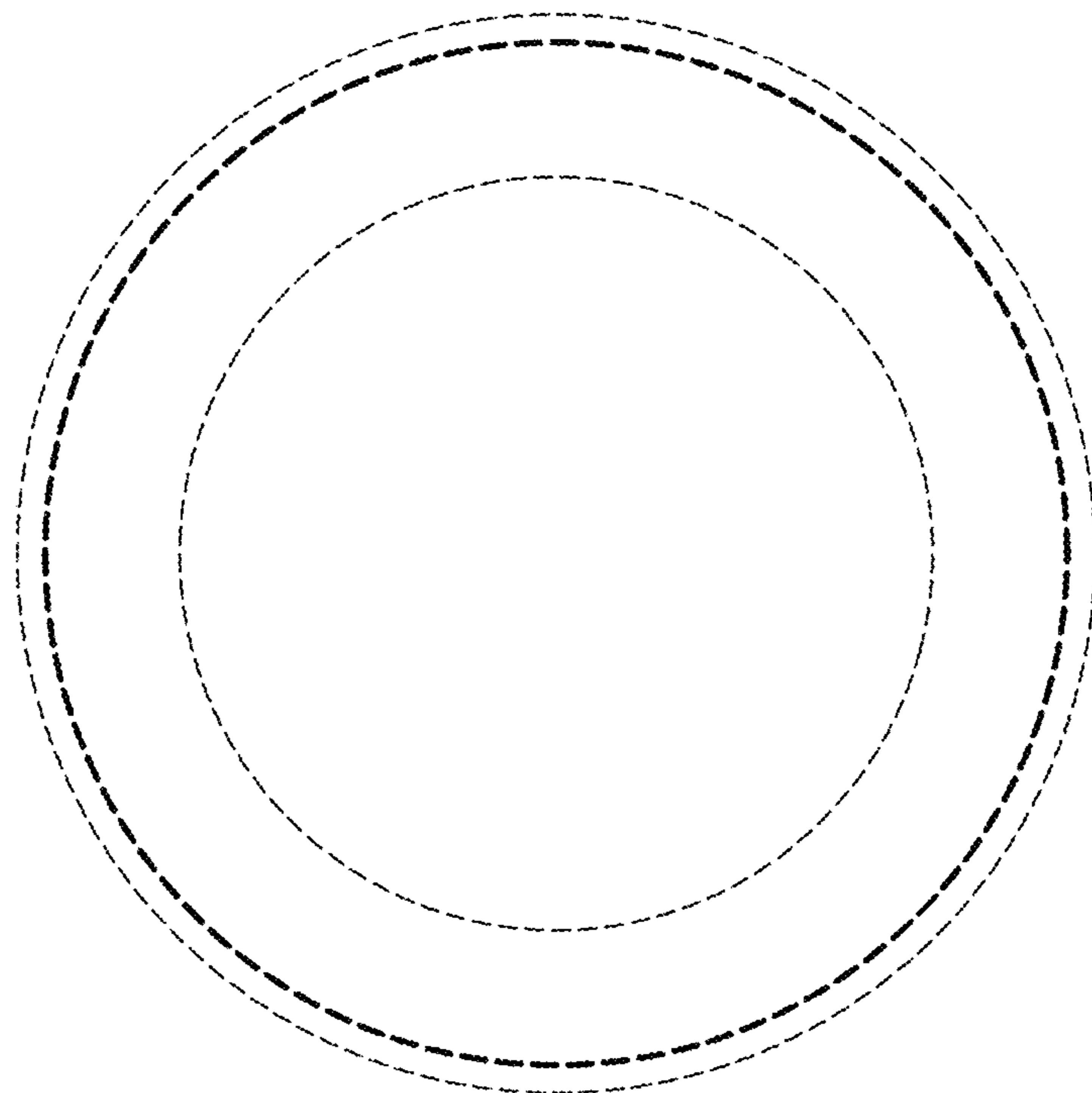


**FIG. 1**

**FIG. 2**



**FIG. 3**



**FIG. 4**