



US00D847647S

(12) **United States Design Patent**
Birkhoff et al.

(10) **Patent No.:** **US D847,647 S**

(45) **Date of Patent:** **** May 7, 2019**

(54) **CONTAINER**

(71) Applicant: **Owens-Brockway Glass Container Inc.**, Perrysburg, OH (US)

(72) Inventors: **Andrew Birkhoff**, Columbus, OH (US);
Raul Paredes, Perrysburg, OH (US);
Douglas Laib, Perrysburg, OH (US);
Lara Koenick, Boyds, MD (US);
Young Lee, Perrysburg, OH (US); **Paul Harris**, Toledo, OH (US)

(73) Assignee: **Owens-Brockway Glass Container Inc.**, Perrysburg, OH (US)

(**) Term: **15 Years**

(21) Appl. No.: **29/647,317**

(22) Filed: **May 11, 2018**

(51) **LOC (11) Cl.** **09-01**

(52) **U.S. Cl.**

USPC **D9/516; D9/500; D9/550**

(58) **Field of Classification Search**

USPC D9/500, 503-505, 516, 530, 537,
D9/539-540, 549, 550, 558, 715, 719

CPC B65D 1/00; B65D 1/02; B65D 1/0223;
B65D 23/00; B65D 81/00; B65D
2501/00; B65D 2501/0009

See application file for complete search history.

(56) **References Cited**

U.S. PATENT DOCUMENTS

- D179,984 S * 4/1957 Salamon D9/500
- 3,331,521 A * 7/1967 Paige B65D 85/307
206/433
- D255,544 S * 6/1980 Humphries D9/764
- D258,198 S * 2/1981 Segal D9/502
- D282,632 S 2/1986 Beaver et al.
- D291,658 S * 9/1987 Klette D9/504
- D295,372 S * 4/1988 Klette D9/500

- D298,917 S * 12/1988 Krohn D9/558
- D382,806 S * 8/1997 Wilson D9/502
- D399,424 S * 10/1998 Young D9/500
- D410,197 S * 5/1999 Herrin D9/502
- D414,417 S 9/1999 Alt
- D427,528 S * 7/2000 Krueger D9/503
- D476,571 S 7/2003 Lince
- D546,686 S 7/2007 Warner
- D602,368 S 10/2009 Rica
- D657,247 S * 4/2012 Nemeth D9/502

(Continued)

FOREIGN PATENT DOCUMENTS

EM 004005973-009 10/2017

Primary Examiner — Dana Meyrow

(57) **CLAIM**

We claim the ornamental design for a container, as shown and described.

DESCRIPTION

FIG. 1 is a perspective view of a container in accordance with our new design;

FIG. 2 is a front view of the container in FIG. 1, the rear and side views of the claimed design being identical to the front view of FIG. 2.

FIG. 3 is an enlarged top view of the container in FIG. 1; and,

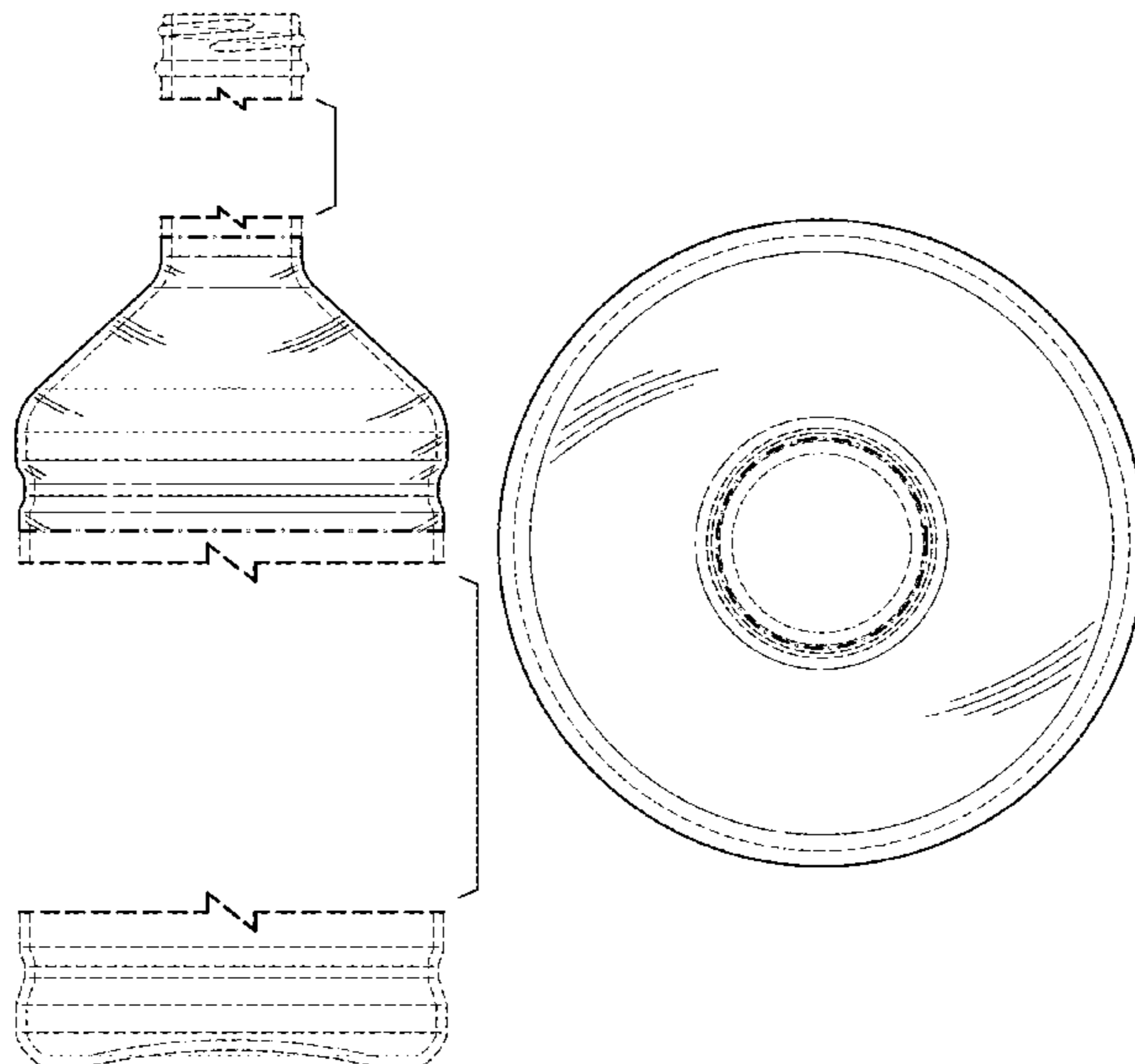
FIG. 4 is an enlarged bottom view of the container in FIG. 1.

Dash-dash-dash broken lines shown in the drawings represent subject matter that is not part of the claimed design.

Dash-dot-dash broken lines shown in the drawings represent boundaries of the claimed design and are not part of the claimed design.

The heavy weight dash-dash-dash broken break lines, the brackets between those break lines and any portion of the container between the breaks forms no part of the claimed design.

1 Claim, 2 Drawing Sheets



(56)

References Cited

U.S. PATENT DOCUMENTS

D696,119 S	*	12/2013	Evans	D9/500
D706,634 S	*	6/2014	Herman	D9/500
D713,250 S		9/2014	Perez-Cabrera	
D756,784 S	*	5/2016	Fine	D9/500
D790,968 S		7/2017	Thompson	
D806,549 S	*	1/2018	Laib	D9/500
D807,178 S	*	1/2018	Laib	D9/500

* cited by examiner

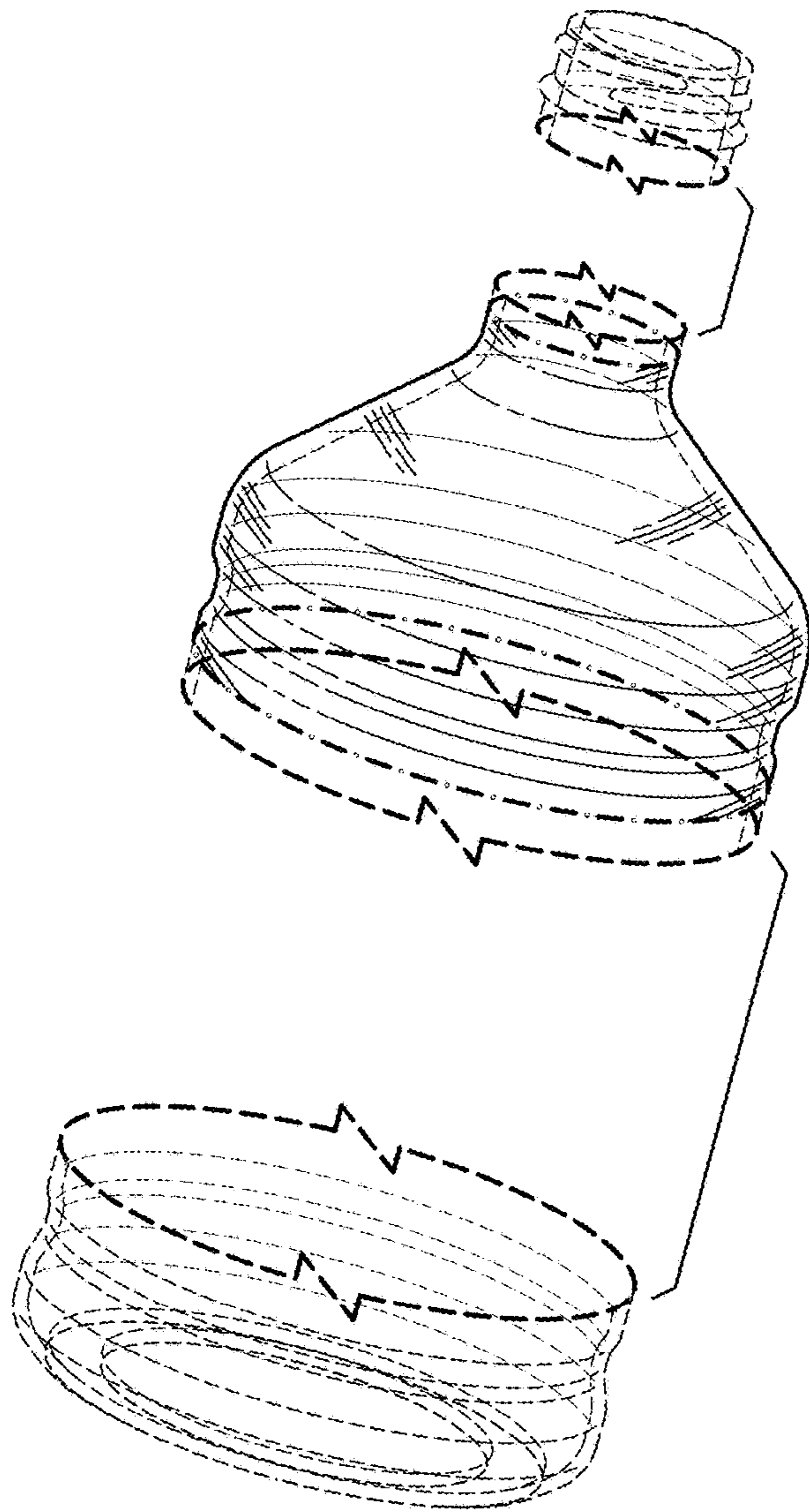


FIG. 1

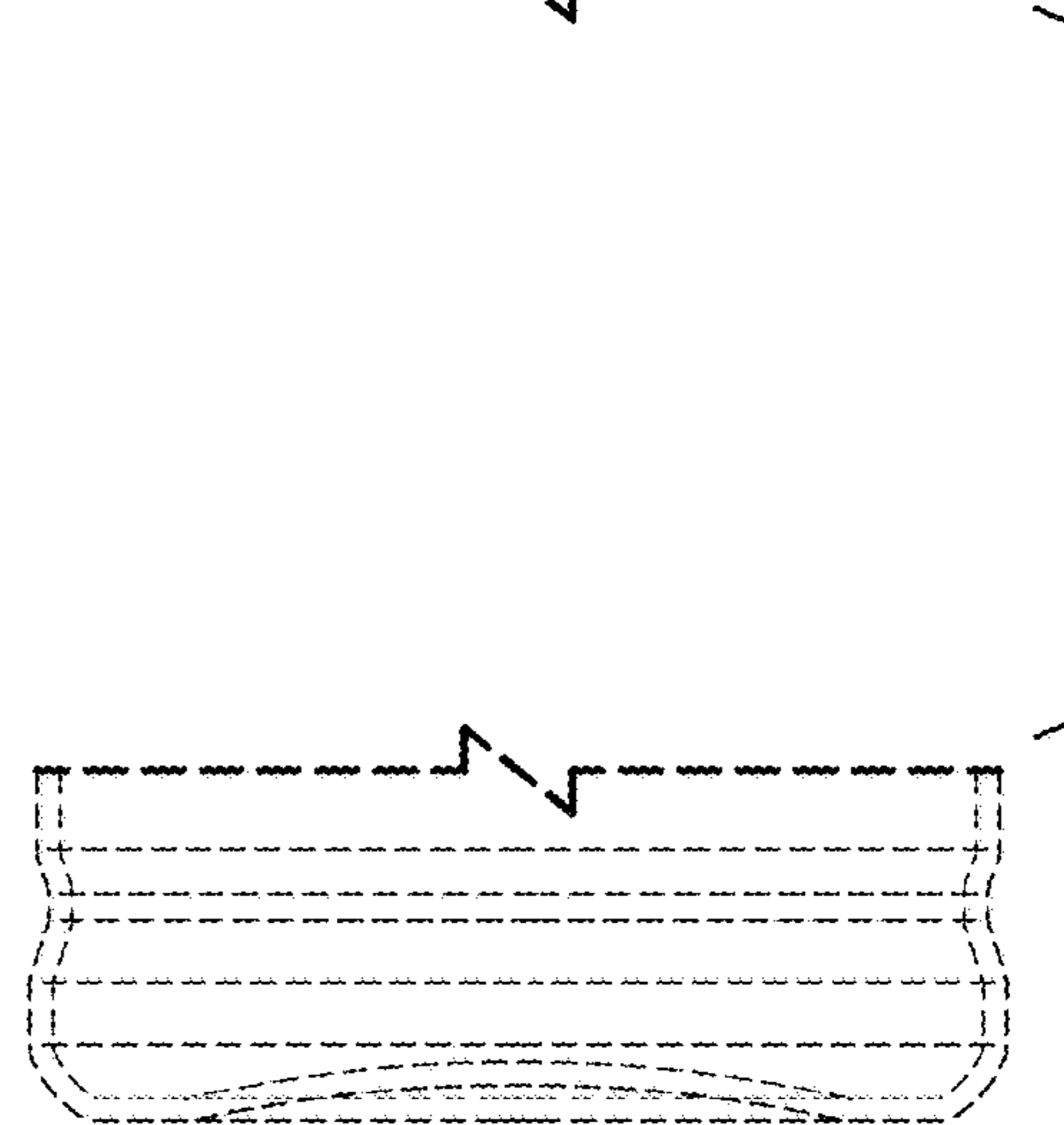
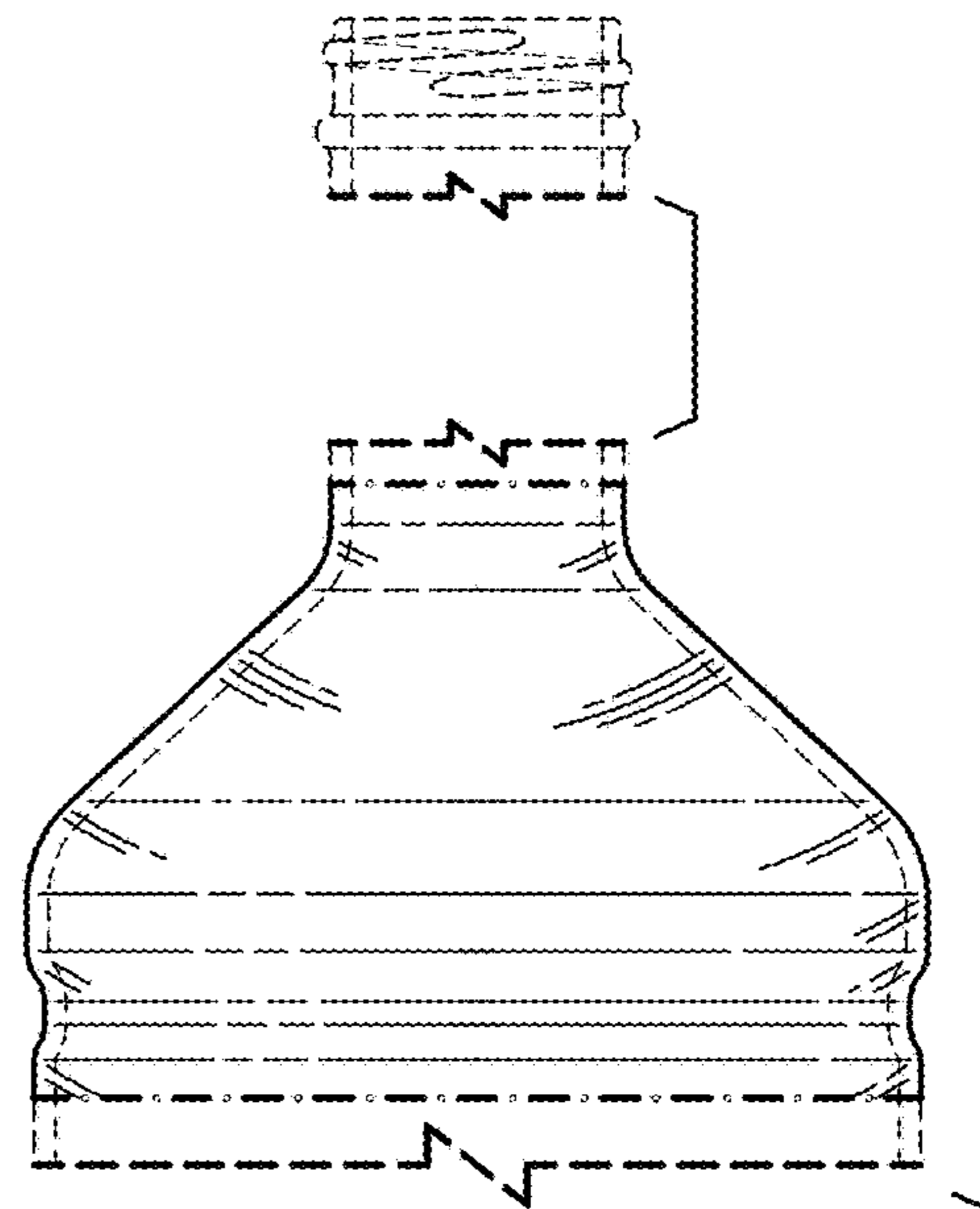


FIG. 2

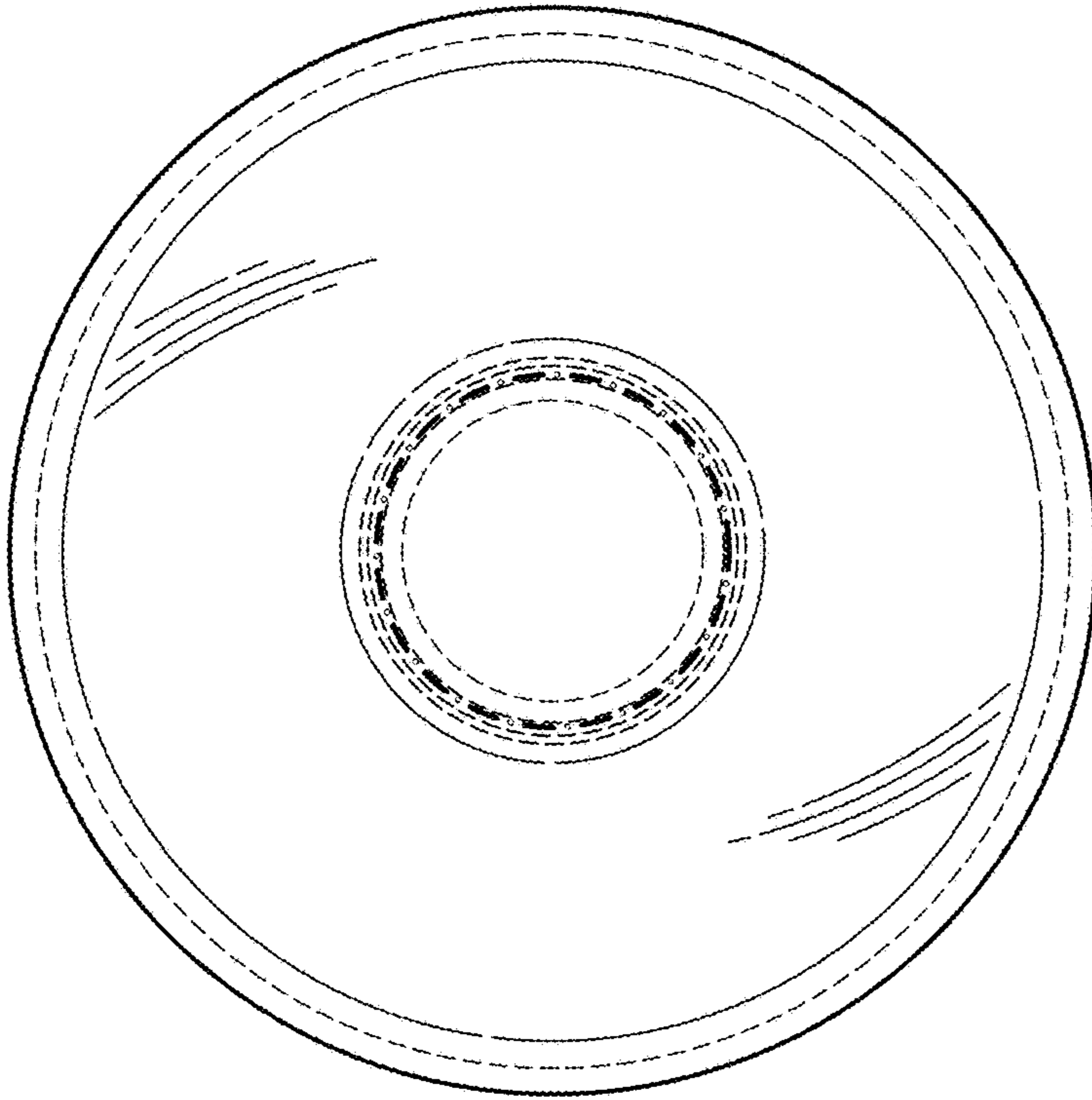


FIG. 3

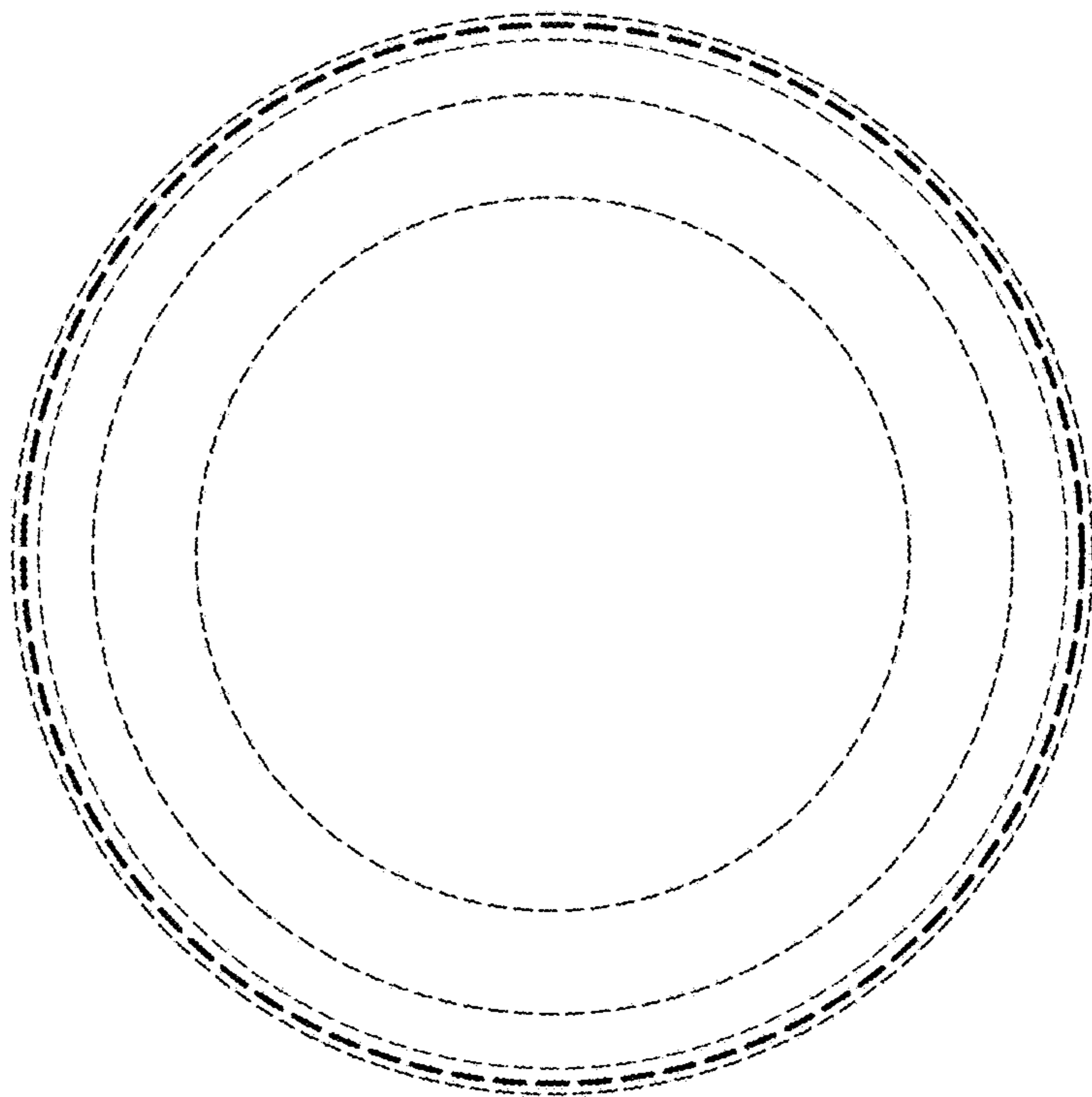


FIG. 4