



US00D847646S

(12) **United States Design Patent** (10) **Patent No.:** **US D847,646 S**
Harris et al. (45) **Date of Patent:** **** May 7, 2019**

(54) **CONTAINER**

(71) Applicant: **Owens-Brockway Glass Container Inc., Perrysburg, OH (US)**

(72) Inventors: **Paul Harris, Toledo, OH (US); Raul M Paredes, Perrysburg, OH (US); Douglas Laib, Perrysburg, OH (US); Lara Koenick, Boyds, MD (US); Andrew Birkhoff, Columbus, OH (US); Young Lee, Perrysburg, OH (US)**

(73) Assignee: **Owens-Brockway Glass Container Inc., Perrysburg, OH (US)**

(**) Term: **15 Years**

(21) Appl. No.: **29/628,668**

(22) Filed: **Dec. 6, 2017**

(51) **LOC (11) Cl.** **09-01**

(52) **U.S. Cl.**
USPC **D9/516; D9/500**

(58) **Field of Classification Search**
USPC D9/500, 502–505, 516, 530, 537, D9/539–540, 544–546, 549, 550, 558, D9/715, 719
CPC B65D 1/00; B65D 1/02; B65D 1/0223; B65D 23/00; B65D 81/00; B65D 2501/00; B65D 2501/0009

See application file for complete search history.

(56) **References Cited**

U.S. PATENT DOCUMENTS

D48,813 S *	4/1916	Dawson	215/383
D50,296 S *	2/1917	Dawson	D9/545
D50,297 S *	2/1917	Dawson	D9/545
D50,298 S *	2/1917	Dawson	D9/545
D50,299 S *	2/1917	Dawson	D9/545
D122,713 S *	9/1940	Munzer	D9/545
D476,571 S	7/2003	Lince		
D484,415 S	12/2003	Hadtke et al.		

D623,534 S	9/2010	Shearsby et al.		
D680,435 S	4/2013	Wanet		
D682,697 S	5/2013	Gonzalez Rodriguez		
D706,633 S	6/2014	Reisig et al.		
D709,968 S	7/2014	Weiss et al.		
D731,316 S *	6/2015	Joblonska	D9/538
D786,076 S *	5/2017	Redondo	D9/500
D787,332 S	5/2017	Peneda		
D790,968 S	7/2017	Thompson		
D813,675 S *	3/2018	Matauch	D9/500

OTHER PUBLICATIONS

<http://beveragebusiness.com/2015/09/chivas-regal-12-year-old-new-packaging>, Sep. 8, 2015.

* cited by examiner

Primary Examiner — Dana Meyrow

(57) **CLAIM**

We claim the ornamental design for a container, as shown and described.

DESCRIPTION

FIG. 1 is a perspective view of a container in accordance with our new design;

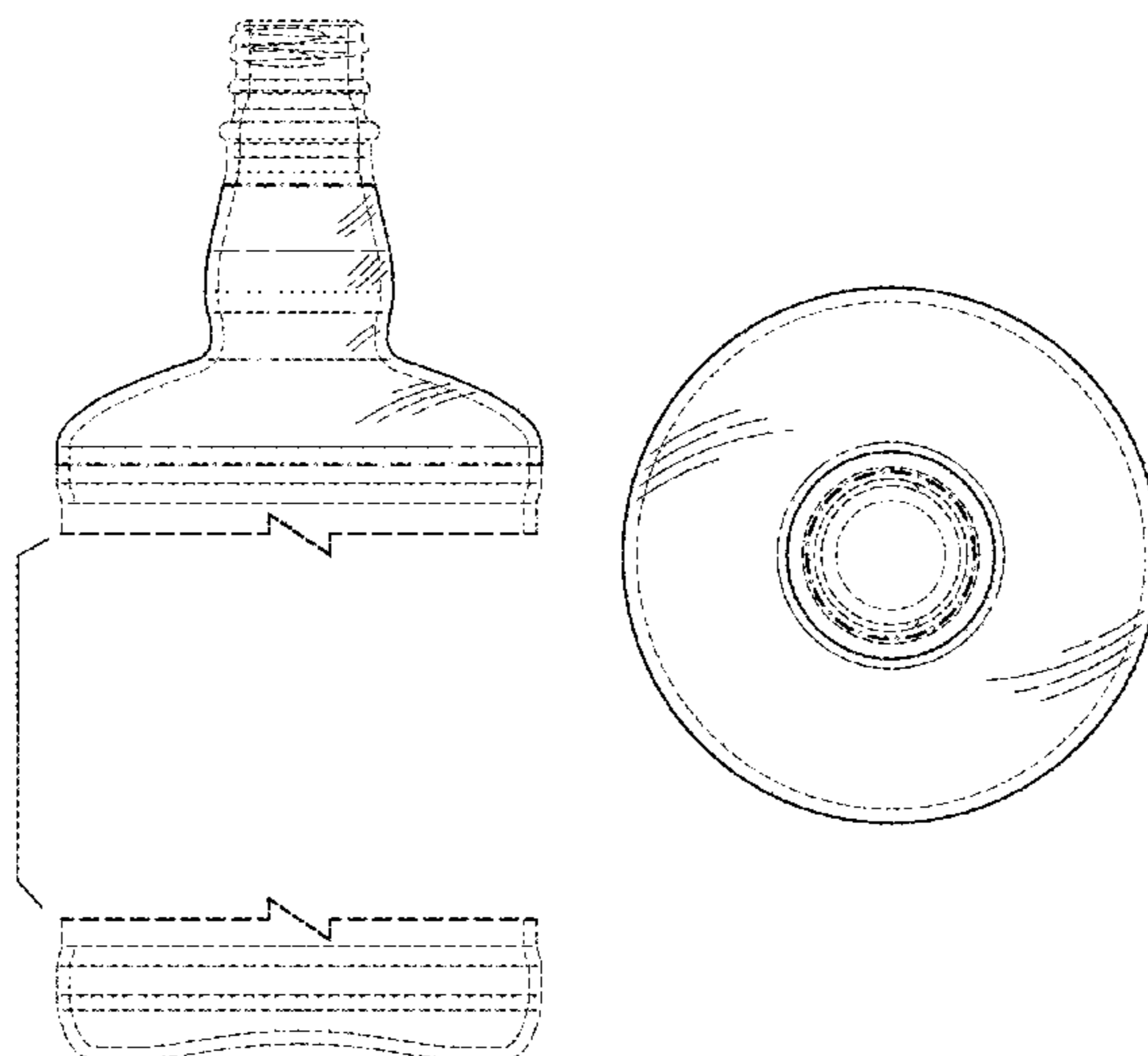
FIG. 2 is a front view of the container in FIG. 1, the rear and side views of the claimed design being identical to the front view of FIG. 2.

FIG. 3 is a top view of the container in FIG. 1; and, FIG. 4 is a bottom view of the container in FIG. 1.

Dash-dash-dash broken lines shown in the drawings represent subject matter that is not part of the claimed design. Dash-dot-dash broken lines shown in the drawings represent boundaries of the claimed design and are not part of the claimed design.

The heavy-weight evenly-dashed broken break lines, the brackets between the break lines and any portion of the container between the break lines form no part of the claimed design.

1 Claim, 2 Drawing Sheets



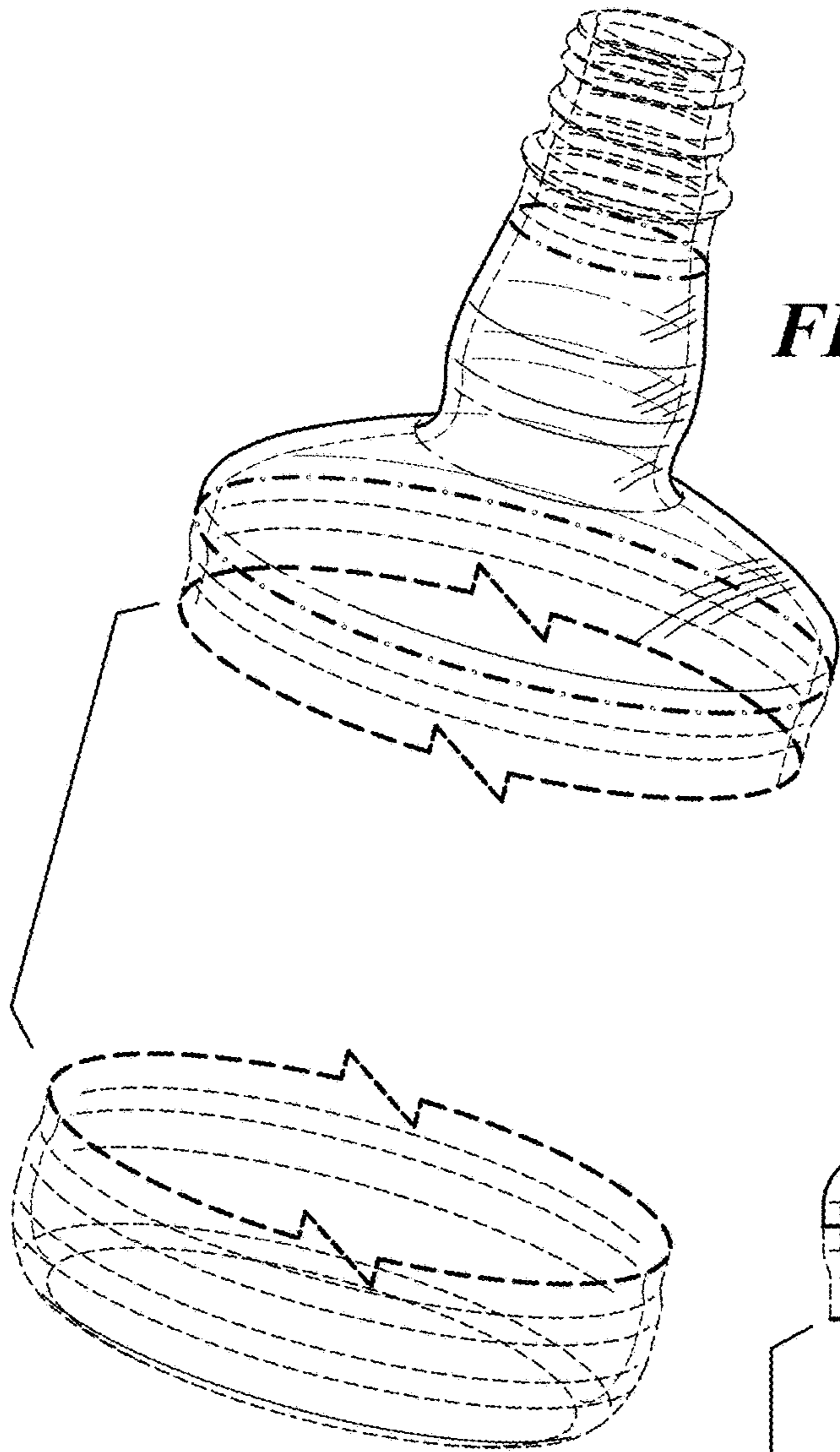


FIG. 1

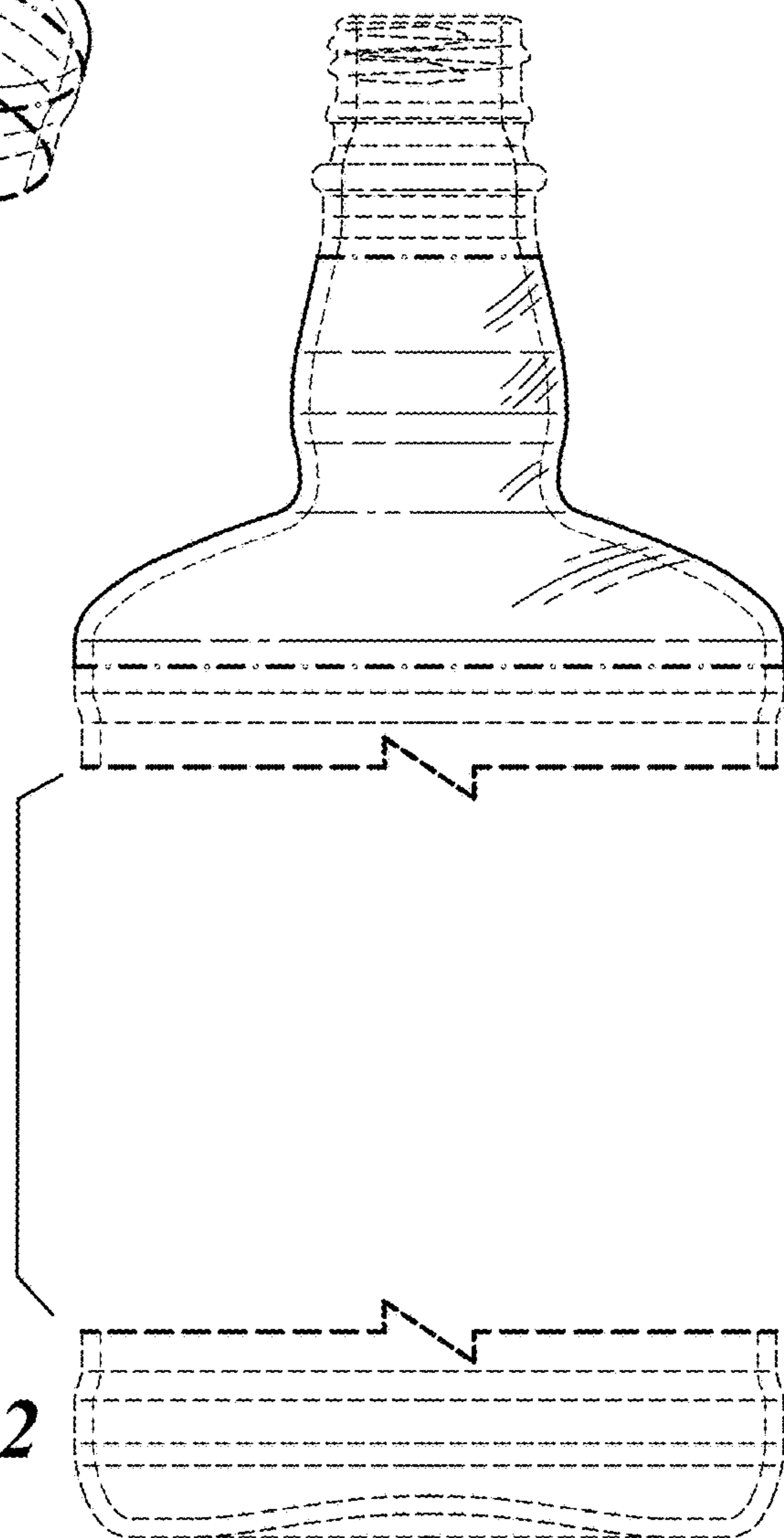


FIG. 2

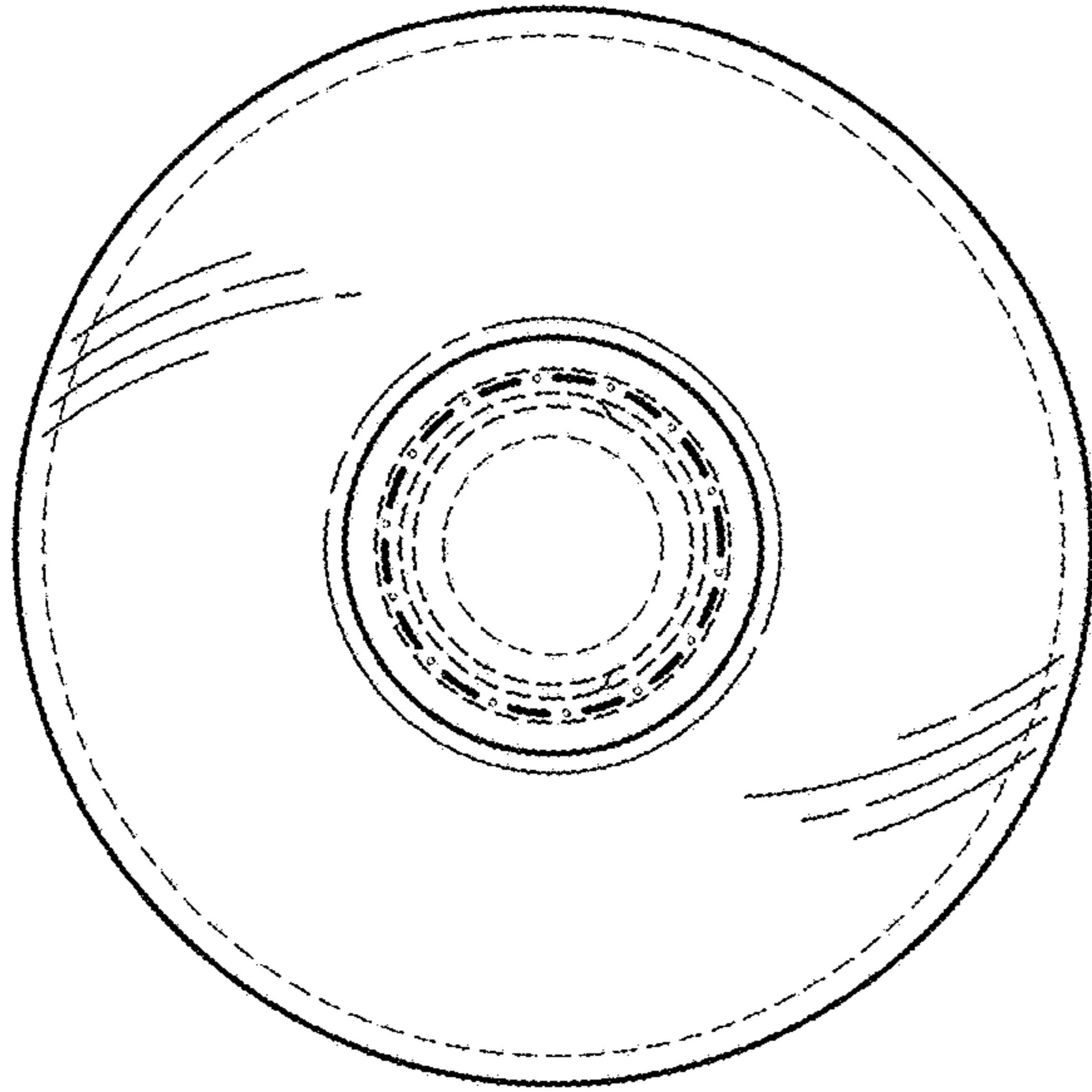


FIG. 3

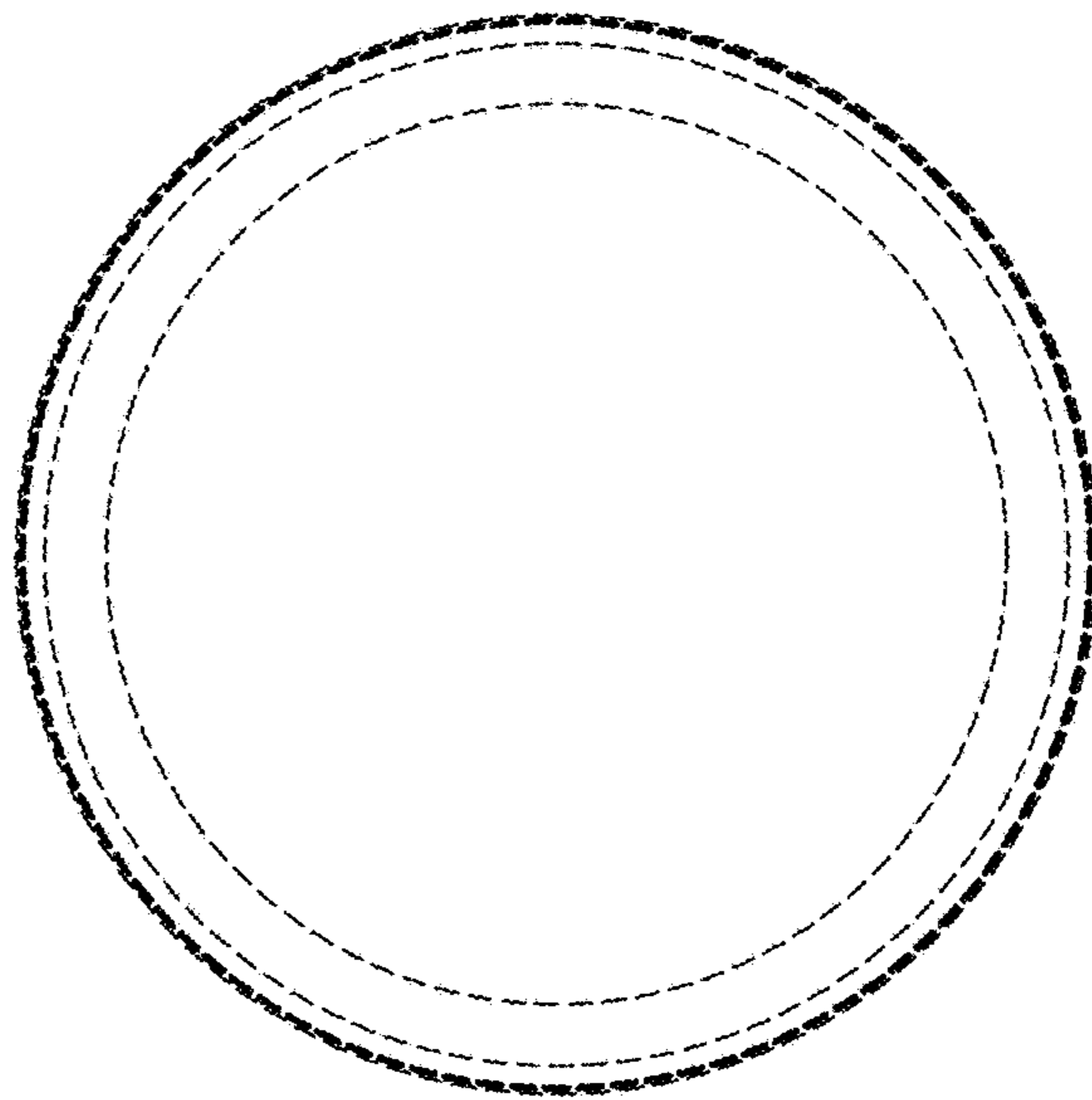


FIG. 4