



US00D847642S

(12) **United States Design Patent**
Dunn et al.

(10) **Patent No.:** **US D847,642 S**

(45) **Date of Patent:** **** May 7, 2019**

- (54) **CONTAINER**
- (71) Applicant: **MUNCHKIN, INC.**, Van Nuys, CA (US)
- (72) Inventors: **Steven Bryan Dunn**, Beverly Hills, CA (US); **Quinn Michael Biesinger**, Los Angeles, CA (US); **Mark A. Hatherill**, Beverly Hills, CA (US); **Thomas Birkert**, West Hills, CA (US)
- (73) Assignee: **Munchkin, Inc.**, Van Nuys, CA (US)
- (**) Term: **15 Years**
- (21) Appl. No.: **29/582,888**
- (22) Filed: **Oct. 31, 2016**

D366,418 S *	1/1996	Lown	D9/449
5,582,314 A *	12/1996	Quinn	B65D 47/0885
				215/237
D490,708 S *	6/2004	Lown	D9/438
D513,585 S *	1/2006	Biesecker	D9/449
D543,111 S *	5/2007	Hoglund	D9/420
D599,655 S *	9/2009	Friebe	D9/420
D604,642 S *	11/2009	Di Robilant	D9/780
D661,588 S *	6/2012	Irani	D9/449
D787,317 S *	5/2017	Dunn	D9/420
D819,456 S *	6/2018	Gomez Martin	D9/734
2014/0131355 A1 *	5/2014	Jentis	B65D 43/169
				220/212
2014/0299598 A1 *	10/2014	Irani	B65D 51/247
				220/212

* cited by examiner

Primary Examiner — Dana Meyrow

(74) *Attorney, Agent, or Firm* — Robert Z. Evora, Esq.

Related U.S. Application Data

- (63) Continuation of application No. 15/054,002, filed on Feb. 25, 2016.
- (51) **LOC (11) Cl.** **09-03**
- (52) **U.S. Cl.**
USPC **D9/503**; D9/449
- (58) **Field of Classification Search**
USPC D9/420, 423, 434–436, 446–447, 449, D9/454, 500, 503, 516, 549, 558, 715, D9/717–718
CPC . B65D 1/00; B65D 1/10; B65D 17/00; B65D 17/02; B65D 43/18; B65D 51/246; B65D 51/247; B65D 81/00; B65D 2501/00; B65D 2501/0009
See application file for complete search history.

(57) **CLAIM**

The ornamental design for a container, as shown and described.

DESCRIPTION

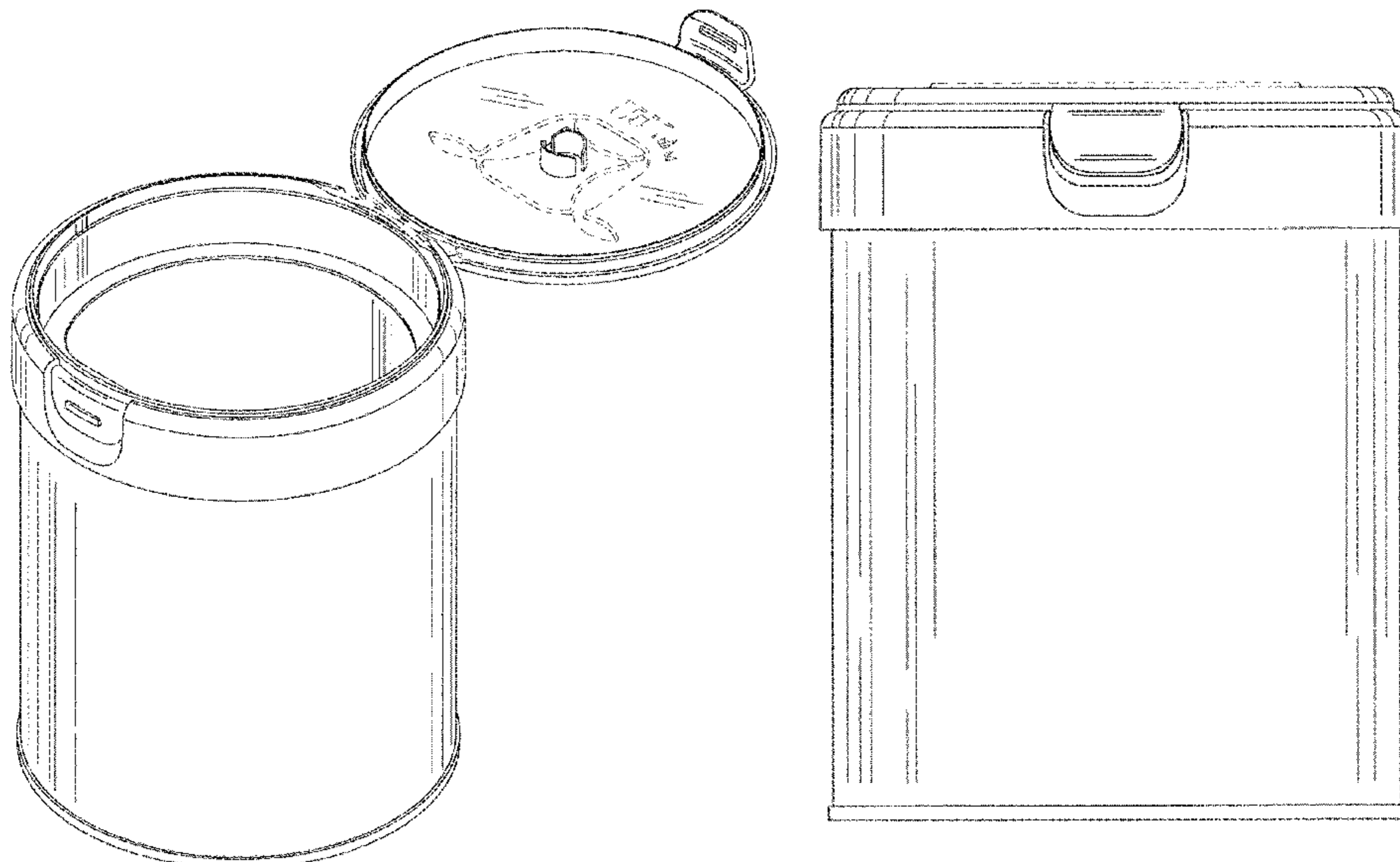
FIG. 1 is a top, front, right side perspective view of a container of our new design;
 FIG. 2 is a top, front right side perspective view thereof, shown in the open position;
 FIG. 3 is a front view of the container of FIG. 1;
 FIG. 4 is a rear view thereof;
 FIG. 5 is a right side view thereof, the left side view being a mirror image;
 FIG. 6 is a top plan view thereof;
 FIG. 7 is a right side view of the container of FIG. 2;
 FIG. 8 is a top plan view thereof; and,
 FIG. 9 is a bottom plan view of the container of FIG. 1.
 The broken lines in the drawings illustrate the portions of the container that form no part of the claimed design.

(56) **References Cited**

U.S. PATENT DOCUMENTS

- D56,710 S * 11/1920 Rinschler, Jr. D9/780
- D299,426 S * 1/1989 Andersson D9/518

1 Claim, 12 Drawing Sheets



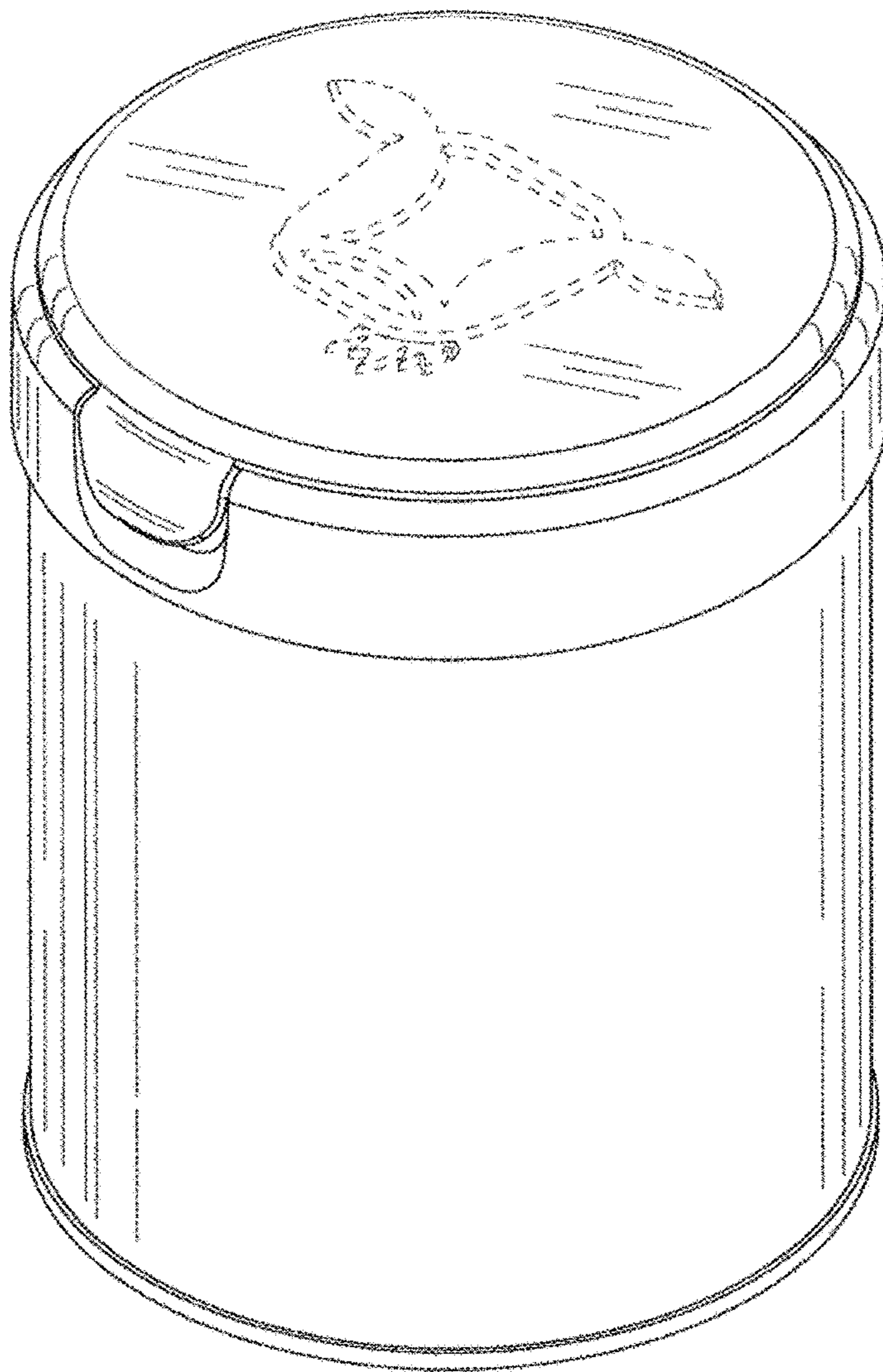


FIG. 1

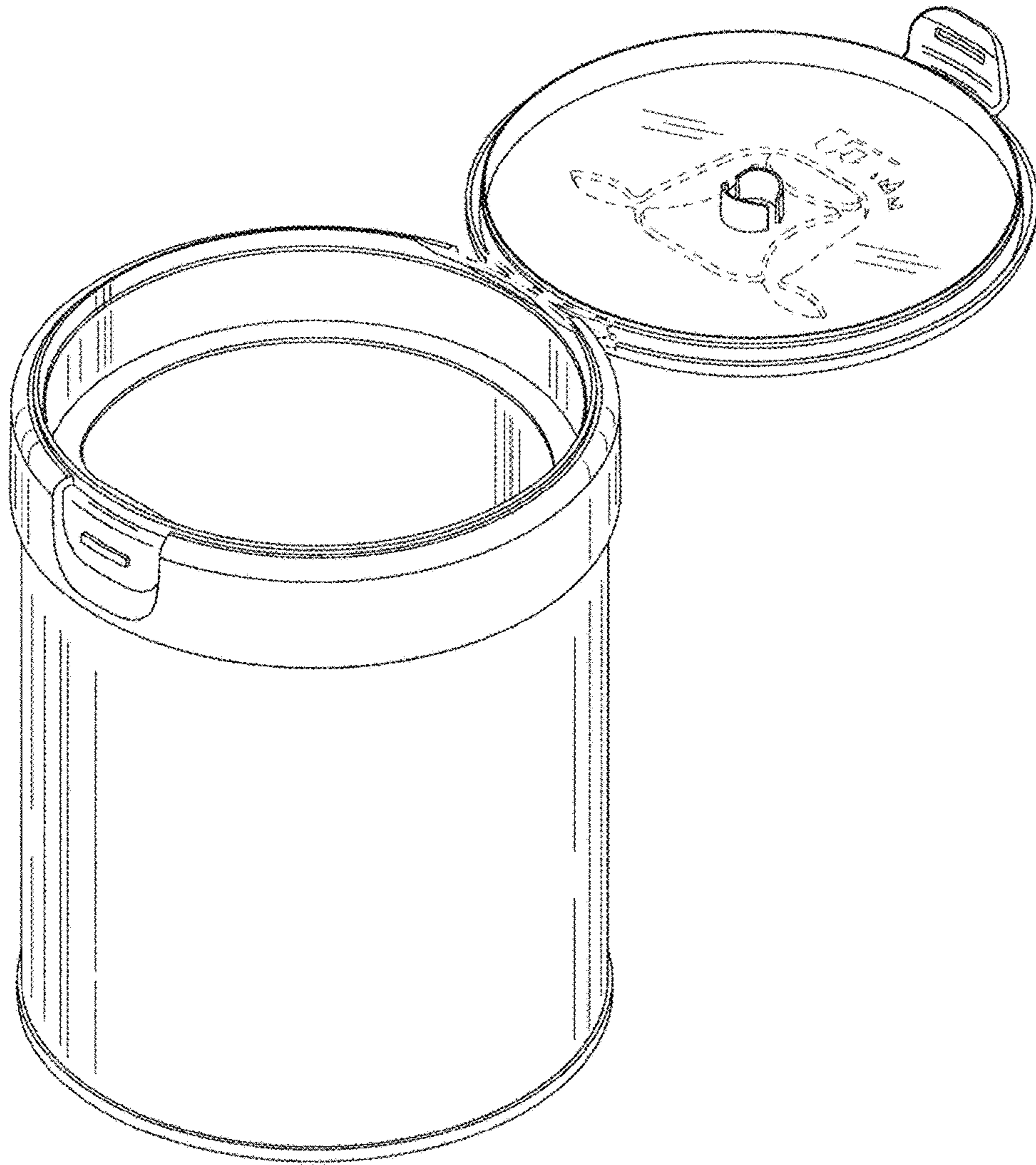


FIG. 2

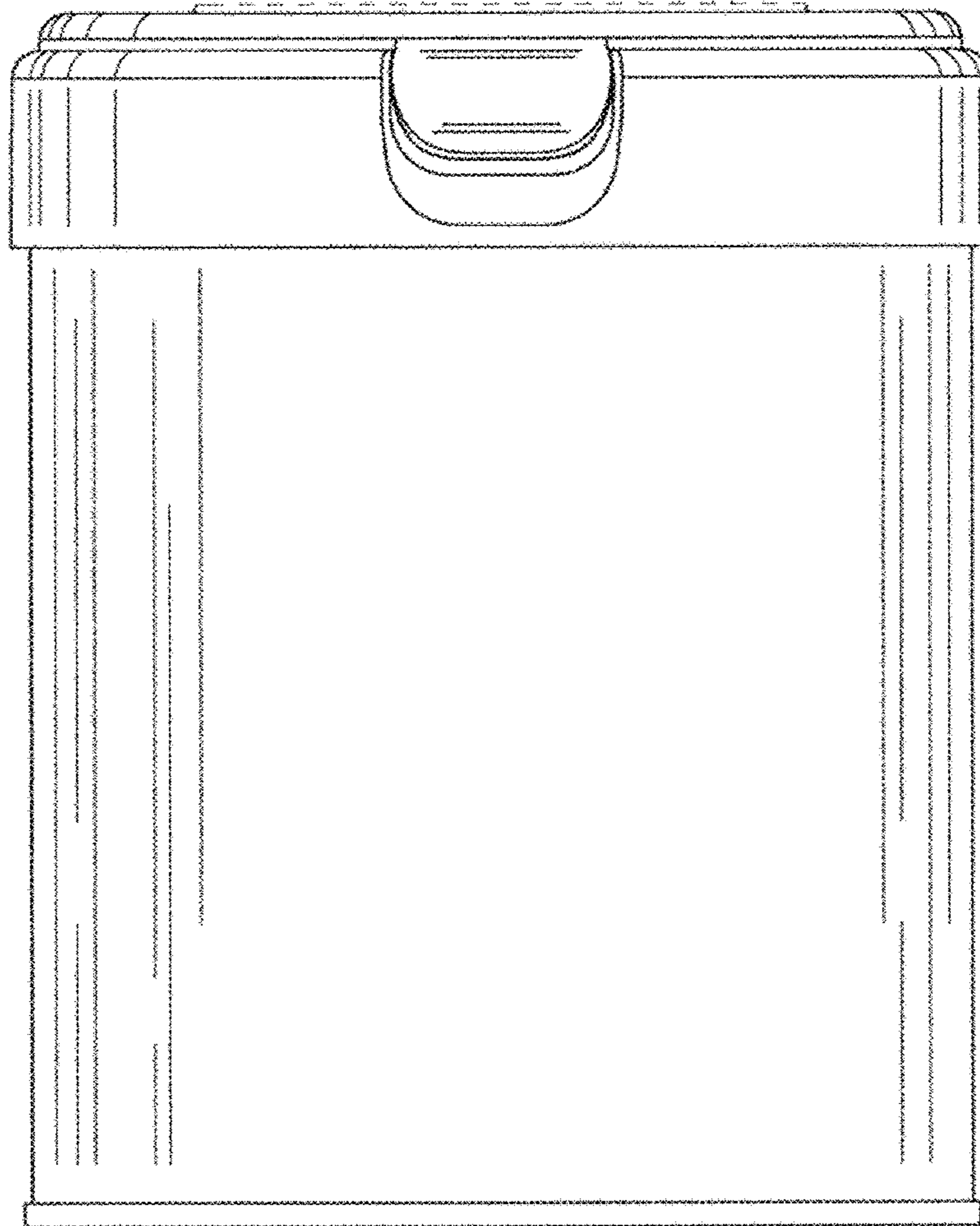


FIG. 3

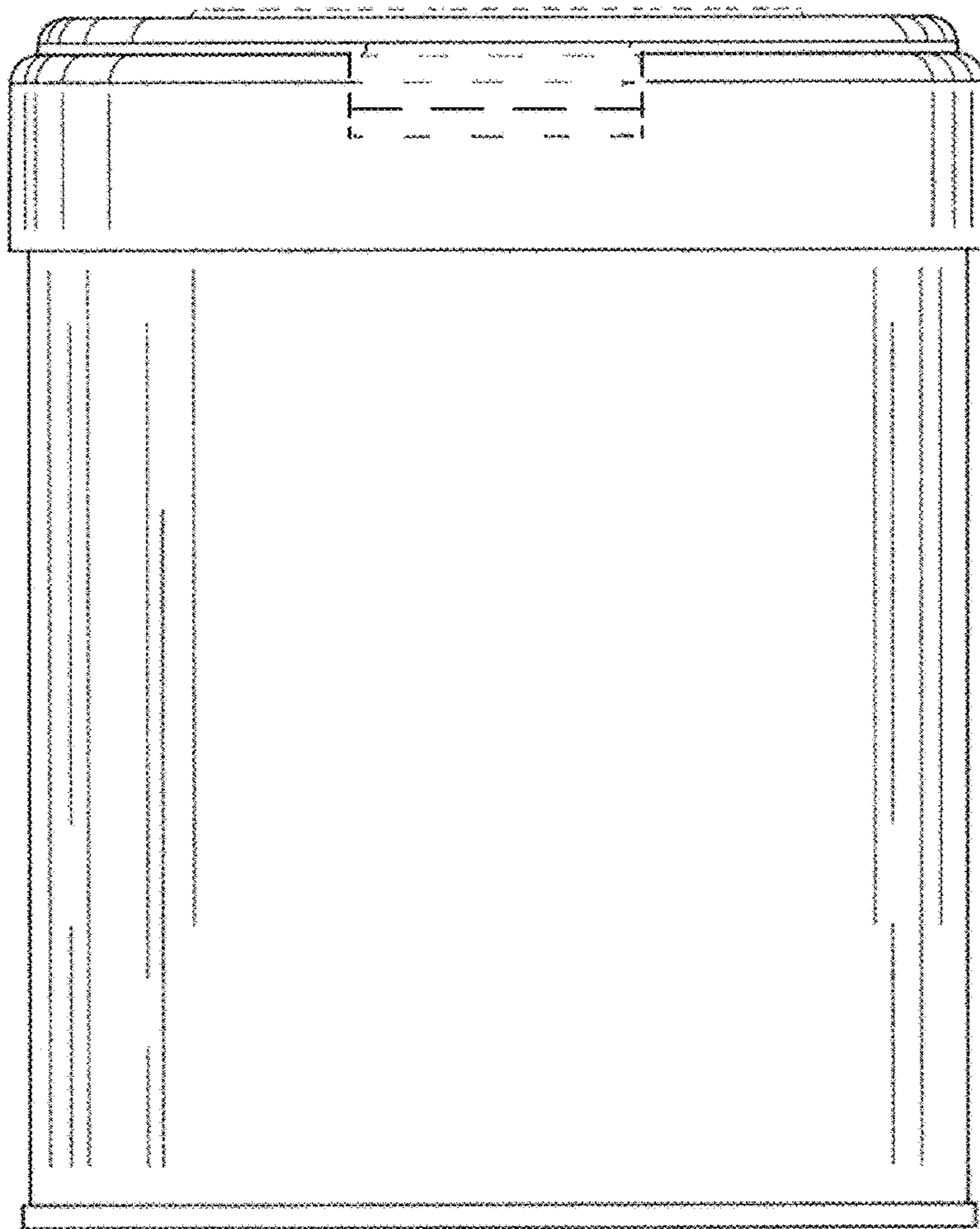


FIG. 4

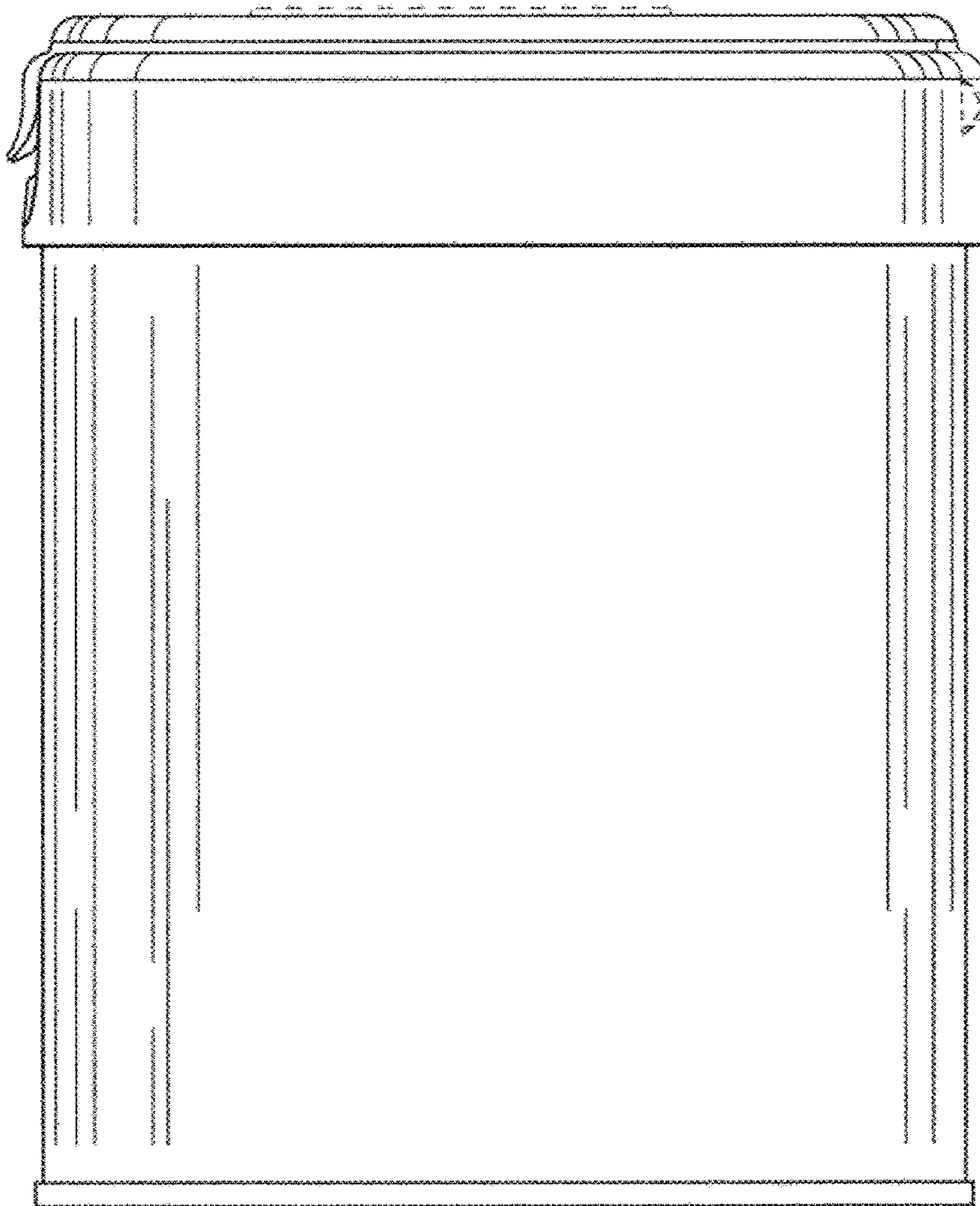


FIG. 5

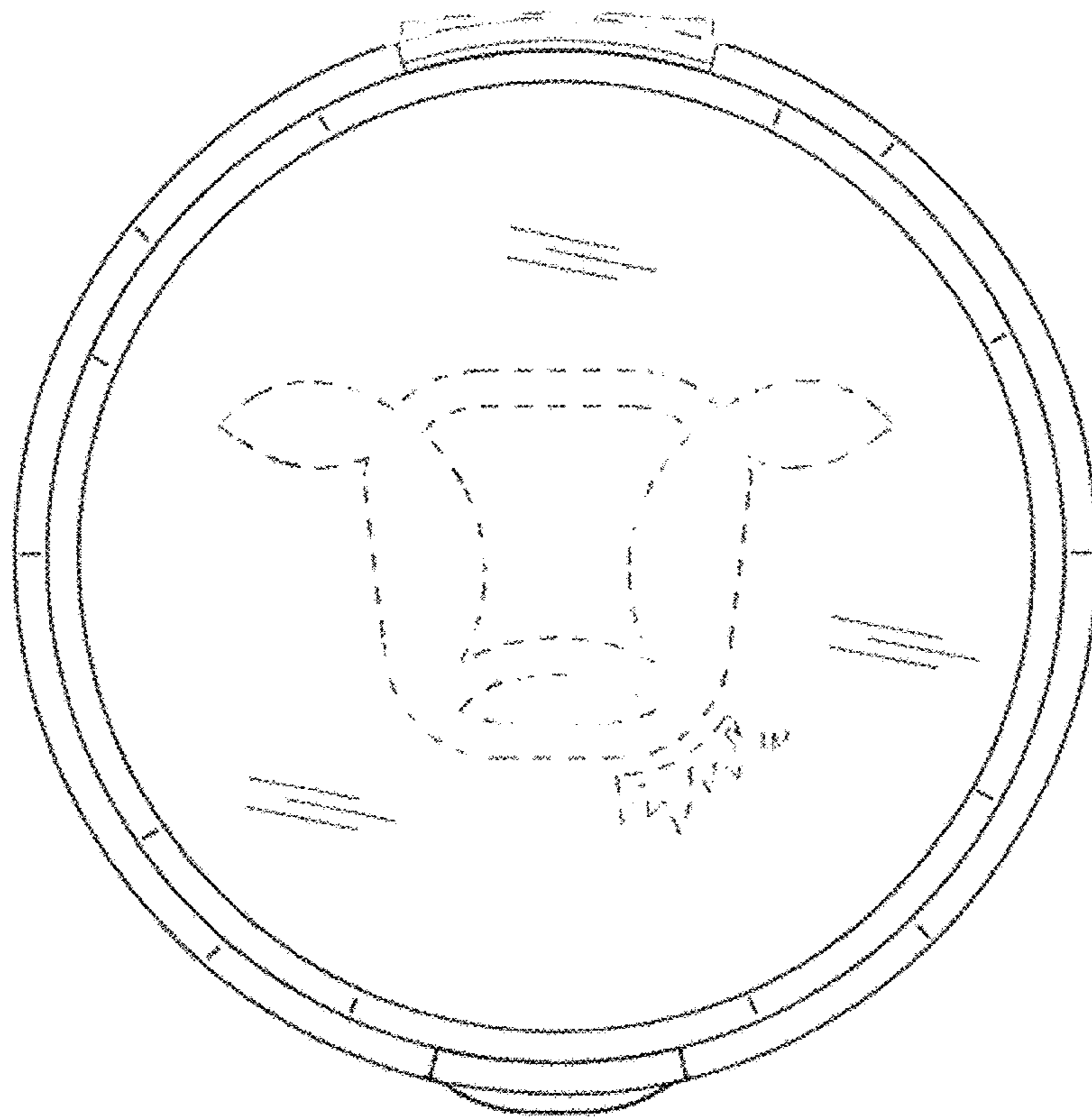


FIG. 6

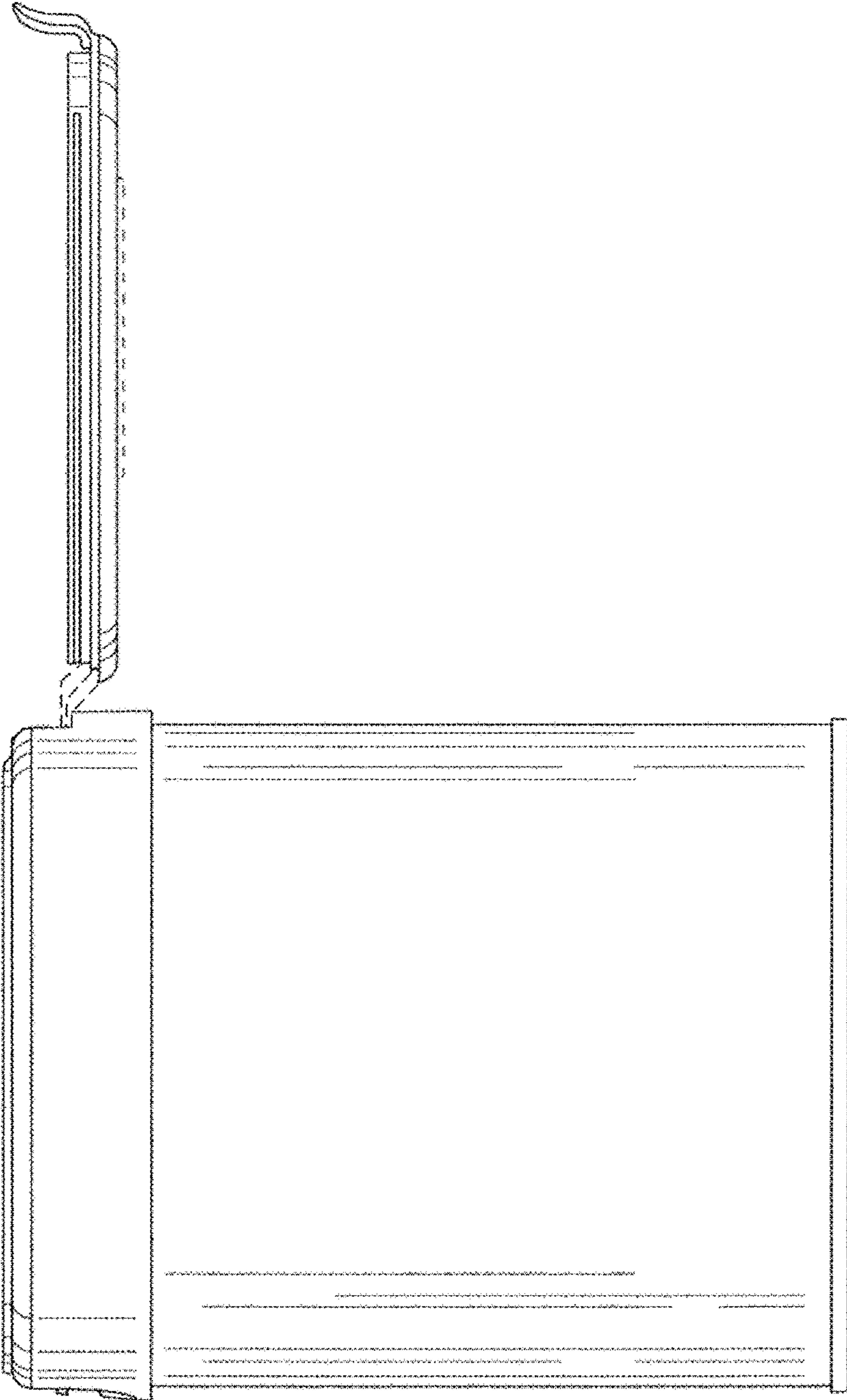


FIG. 7

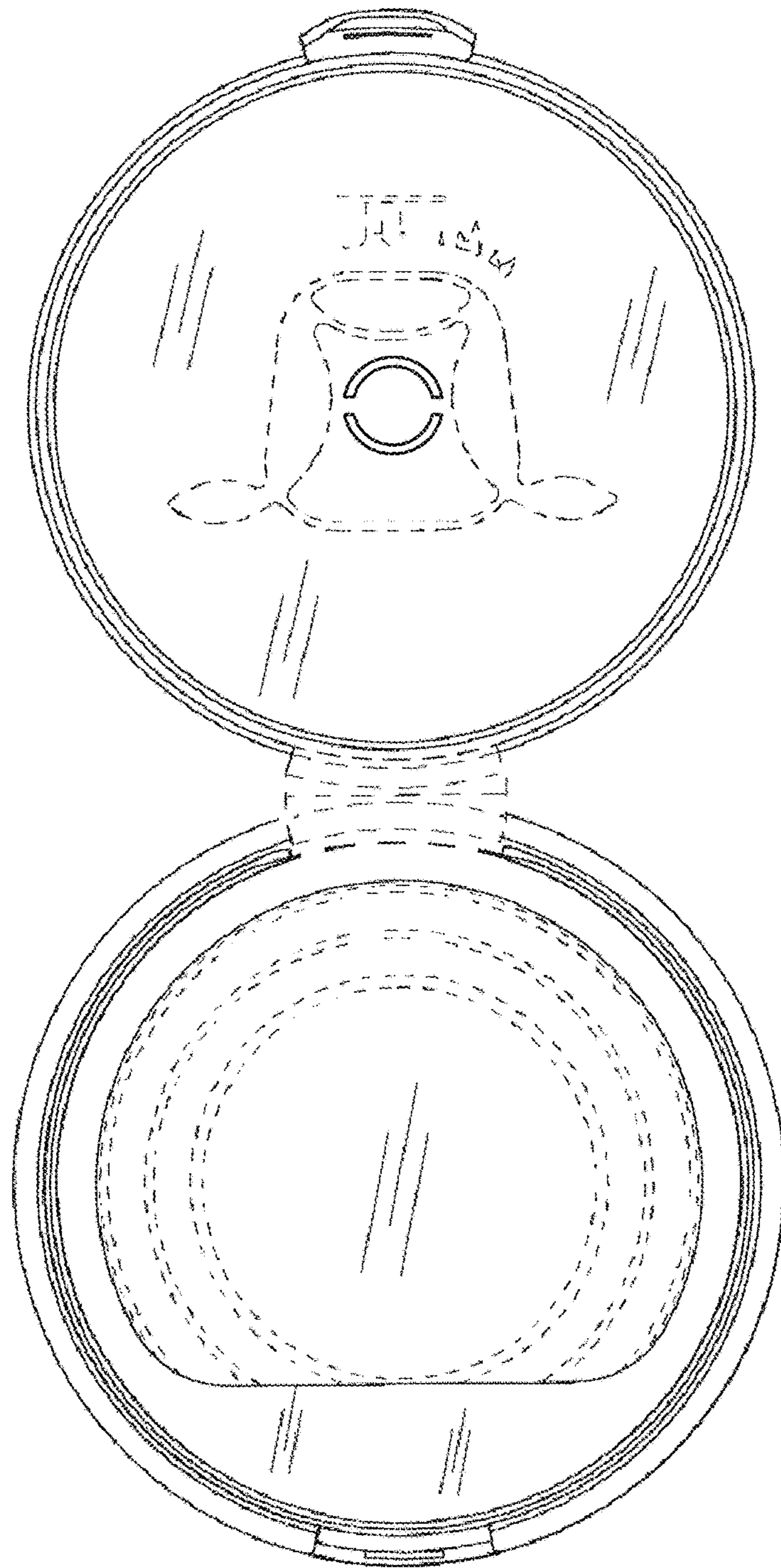


FIG. 8

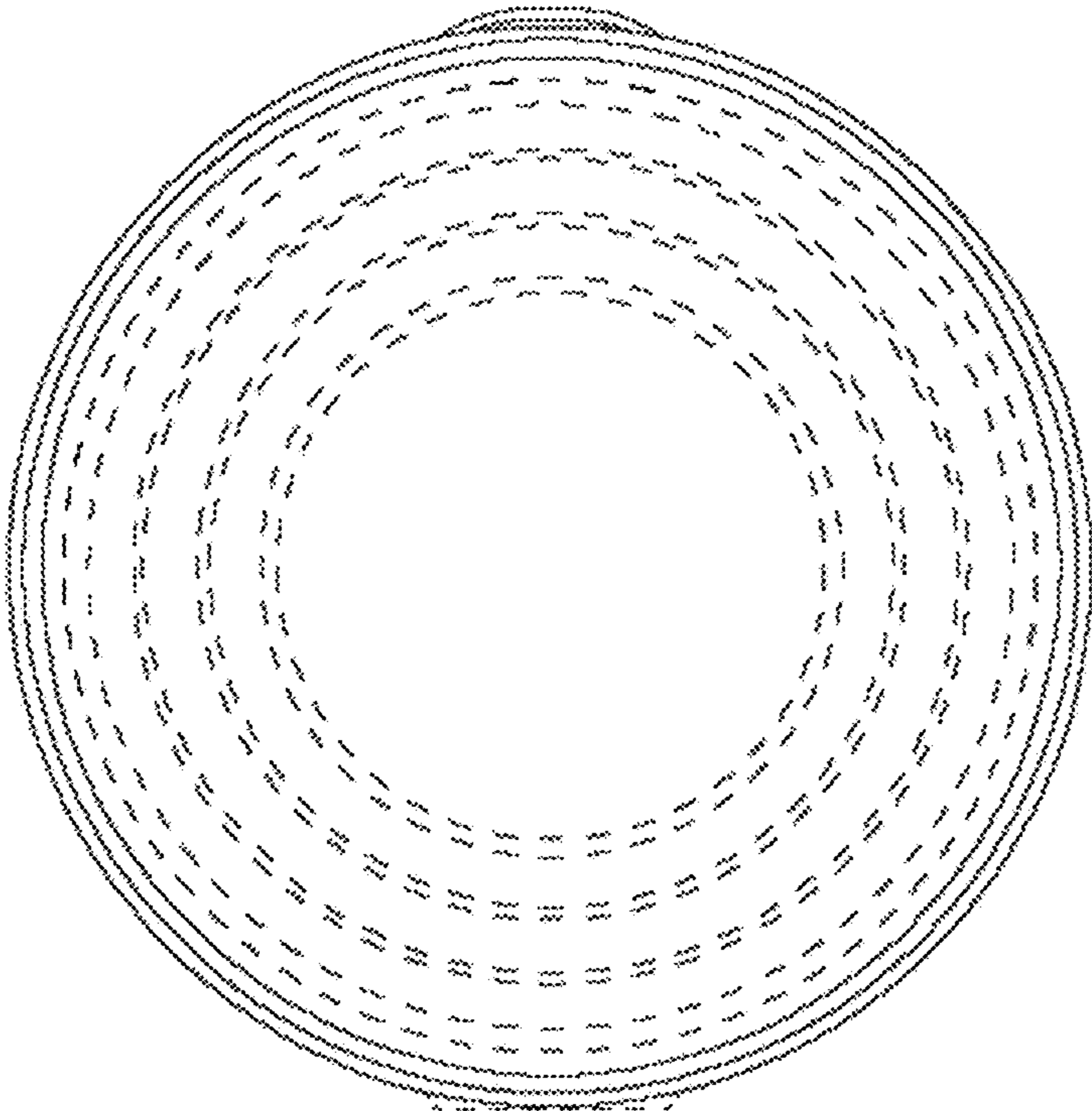


FIG. 9

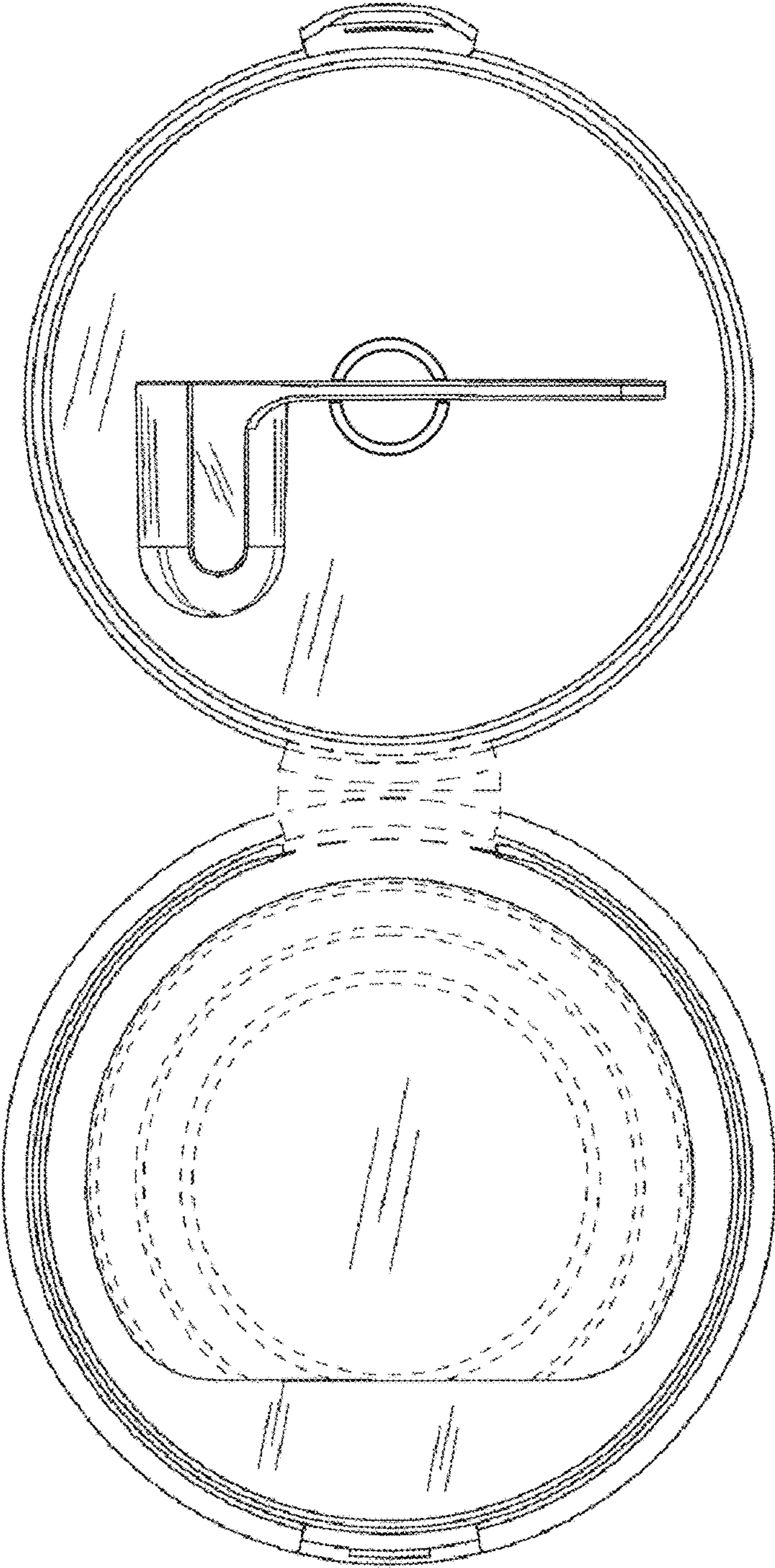


FIG. 10

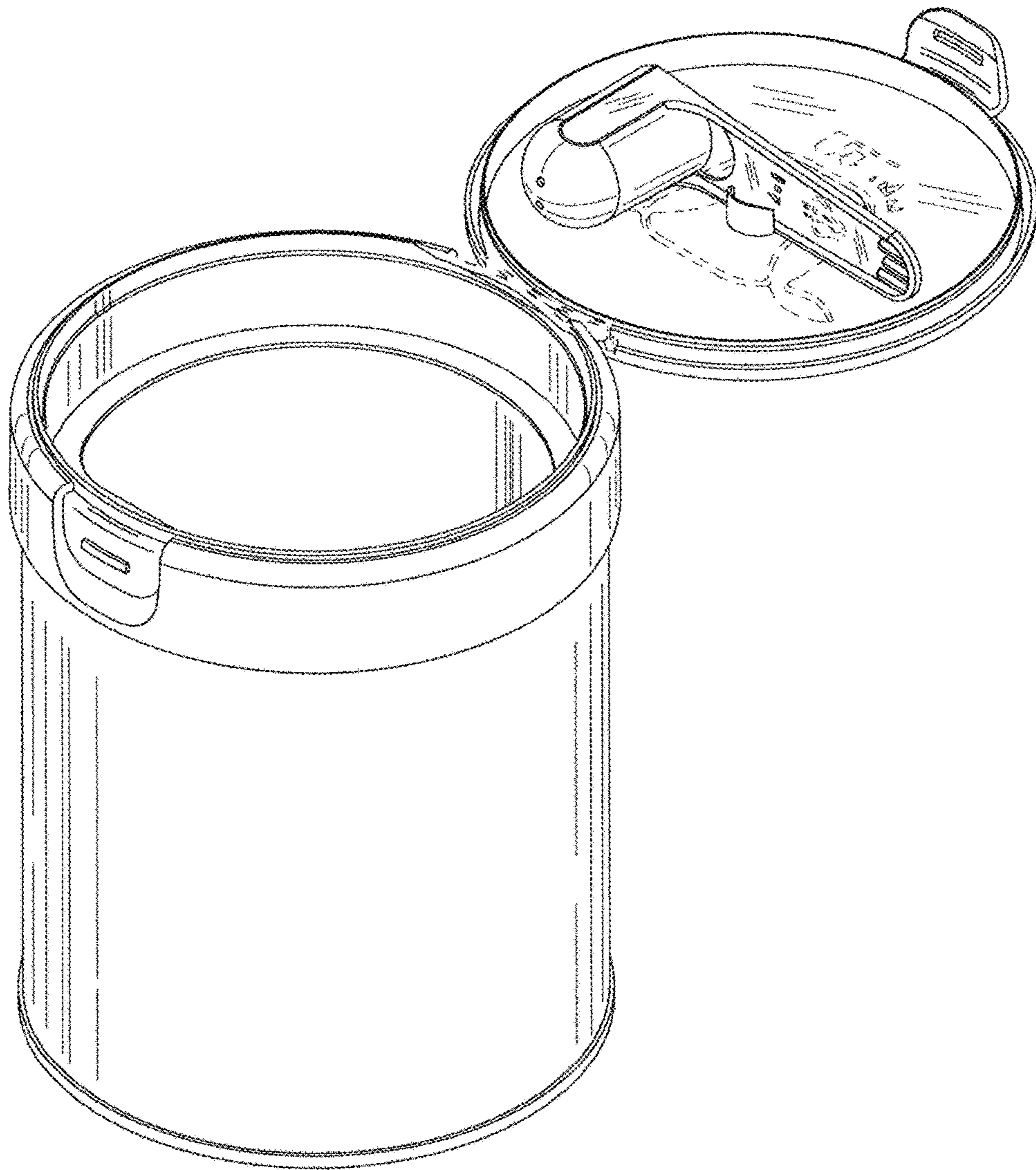


FIG. 11

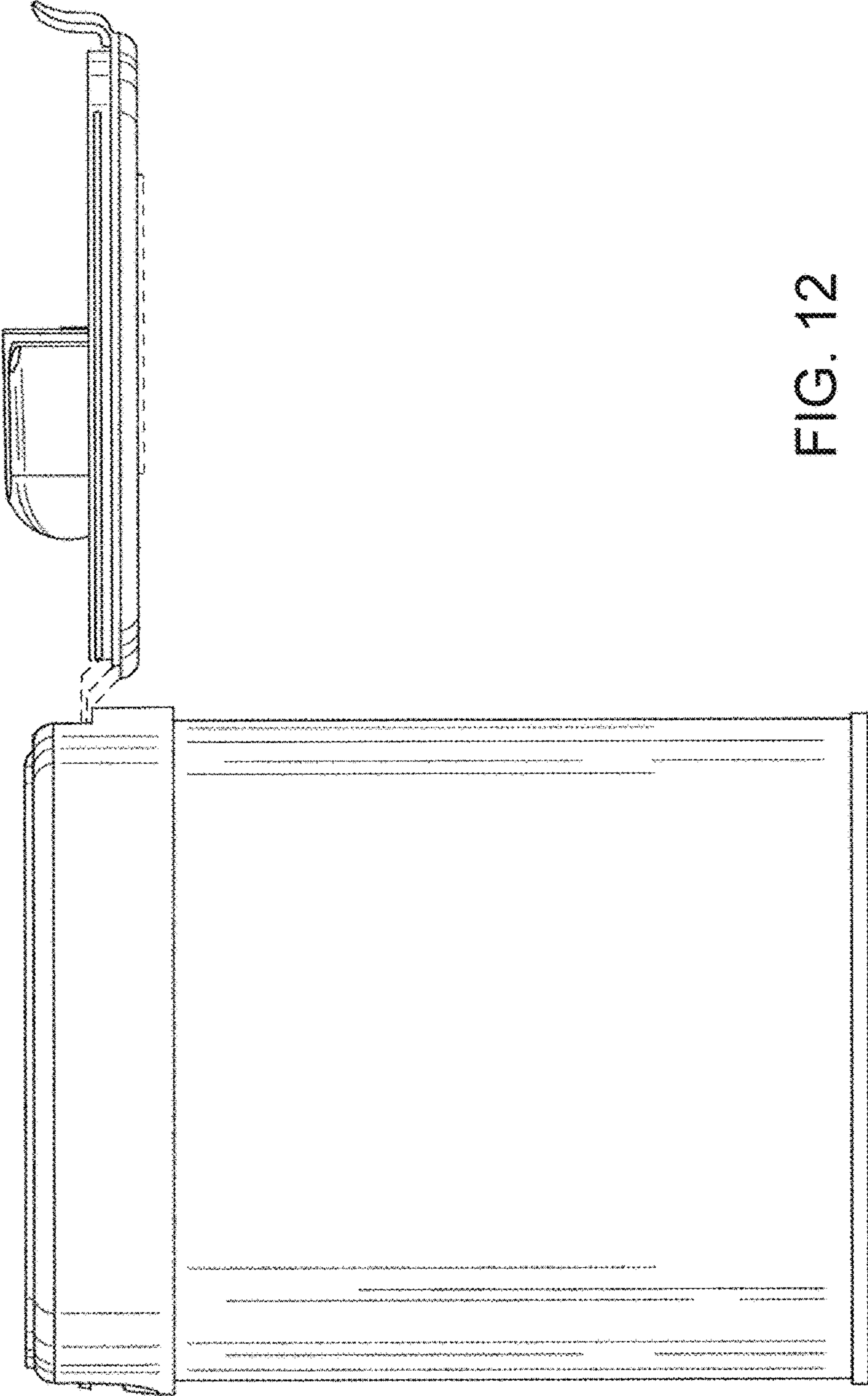


FIG. 12