

US00D847641S

(12) **United States Design Patent** (10) **Patent No.:** **US D847,641 S**  
**Luu et al.** (45) **Date of Patent:** **\*\* May 7, 2019**

(54) **BOTTLE WITH CAP**

(71) Applicant: **LeChat**, Hercules, CA (US)

(72) Inventors: **Newton Luu**, Hercules, CA (US);  
**Christina Kleppe**, Antioch, CA (US)

(73) Assignee: **LeChat**, Hercules, CA (US)

(\*\*) Term: **15 Years**

(21) Appl. No.: **29/626,068**

(22) Filed: **Nov. 14, 2017**

**Related U.S. Application Data**

(60) Continuation of application No. 29/583,010, filed on Nov. 1, 2016, now Pat. No. Des. 802,426, which is a division of application No. 29/494,522, filed on Jun. 20, 2014, now Pat. No. Des. 770,284.

(51) **LOC (11) Cl.** ..... **09-01**

(52) **U.S. Cl.**  
USPC ..... **D9/502**; D9/454; D9/503

(58) **Field of Classification Search**  
USPC ..... D9/434–435, 447, 452, 454, 500,  
D9/502–504, 516, 529, 530, 537–539,  
D9/548–549, 557–558, 682, 686,  
D9/688–692, 723; D4/116; D28/7,  
D28/76–77, 88

CPC .... B65D 1/0002; B65D 1/0223; B65D 23/00;  
B65D 81/00; B65D 83/00; B65D  
2501/00; B65D 2501/0009; A45D 34/00;  
A45D 34/42; A45D 34/45; A45D 34/46;  
A45D 34/48; A45D 34/06; A45D  
2034/007; A45D 40/0068; A45D 40/0075;  
A45D 40/26; A45D 40/262; A45D  
40/264; A45D 40/265

See application file for complete search history.

(56) **References Cited**

U.S. PATENT DOCUMENTS

D111,313 S	9/1938	Titze
D116,813 S	9/1939	Bost
D117,843 S	11/1939	Smith
D166,116 S	3/1952	Menefee, Jr.
2,832,981 A	5/1958	Ernst
3,337,901 A	8/1967	Schefer et al.
D208,885 S	10/1967	Roehrich
D216,250 S	12/1969	Kneapler
D252,445 S	7/1979	Rhodes
4,189,245 A	2/1980	Bennett
4,280,638 A	7/1981	Keihm
D316,034 S	4/1991	DeGaetano
D329,592 S	9/1992	Crawford
D330,859 S	11/1992	Schaeffer
D344,804 S	3/1994	Muniz
D379,764 S	6/1997	Litton
D383,980 S	9/1997	Abfier et al.
D469,356 S	1/2003	Vo
6,966,716 B2	11/2005	Pink
7,311,457 B2	12/2007	Pink
D561,027 S	2/2008	Nguyen
D604,167 S	11/2009	Tran
D695,121 S	12/2013	Seo

(Continued)

*Primary Examiner* — Dana Meyrow

(74) *Attorney, Agent, or Firm* — Aka Chan LLP

(57) **CLAIM**

The ornamental design for a bottle with cap, as shown and described.

**DESCRIPTION**

FIG. 1 shows a perspective view of a bottle with cap showing our new design.

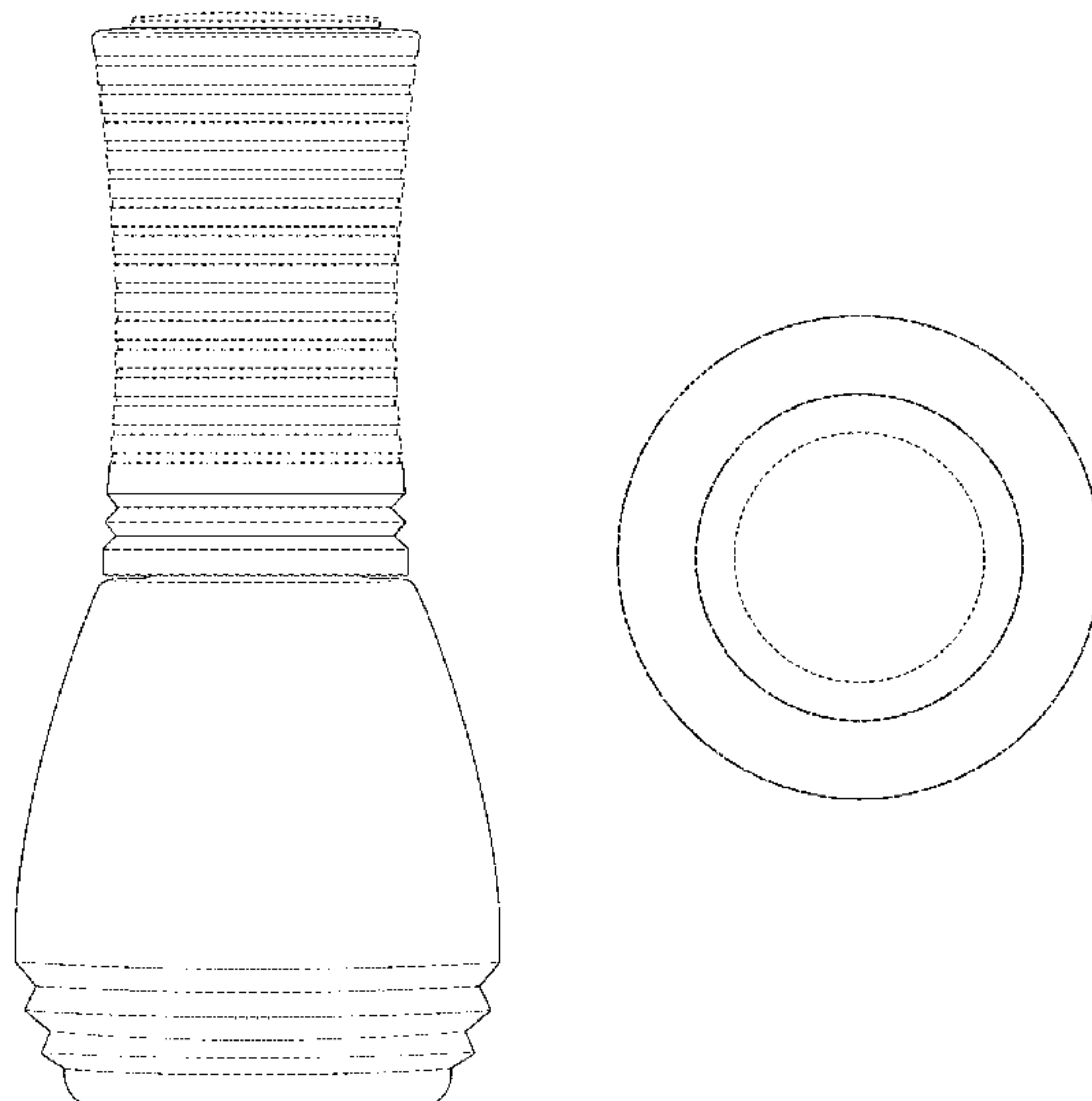
FIG. 2 shows a side view of the design.

FIG. 3 shows a top view of the design; and,

FIG. 4 shows a bottom view of the design.

The broken lines in the drawings illustrate the portions of the bottle with cap that form no part of the claim.

**1 Claim, 4 Drawing Sheets**



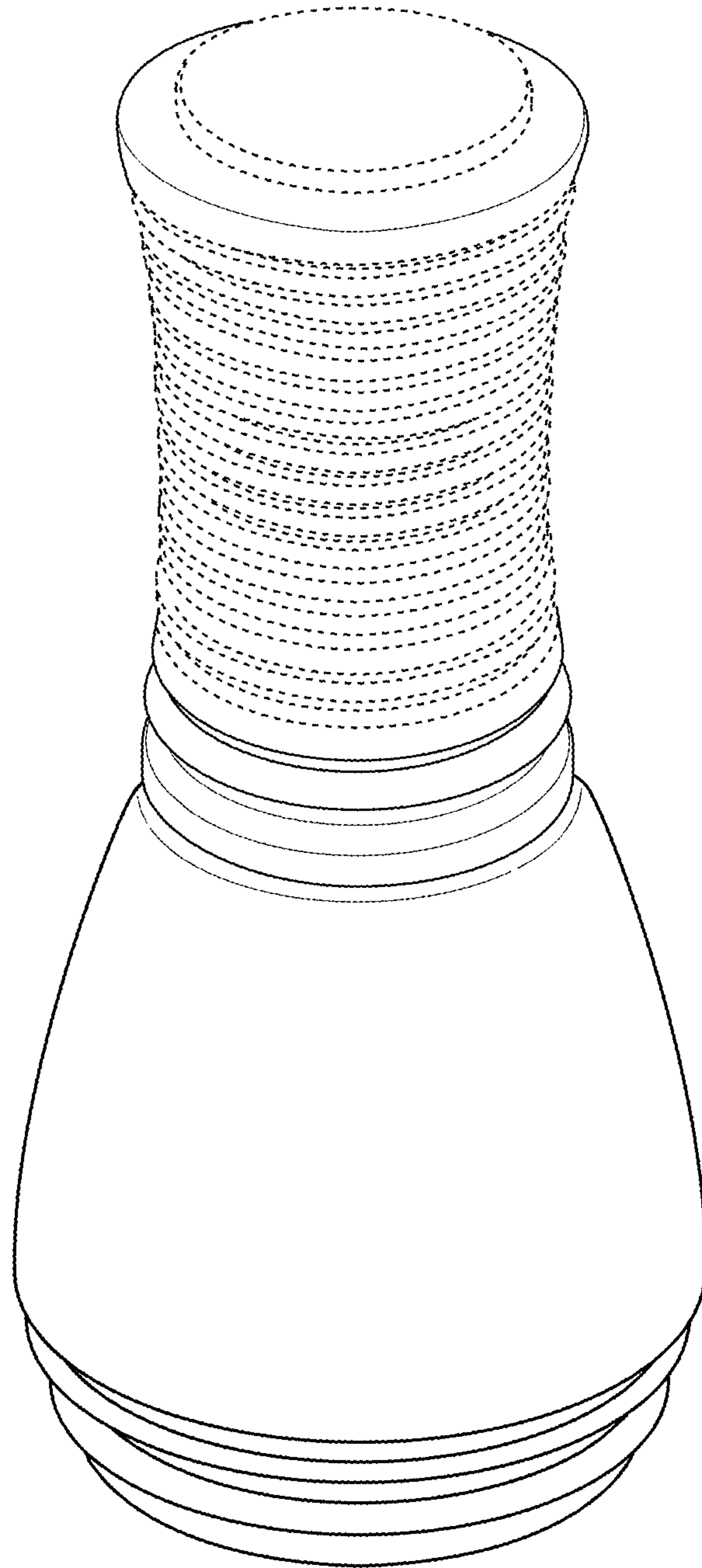
(56)

**References Cited**

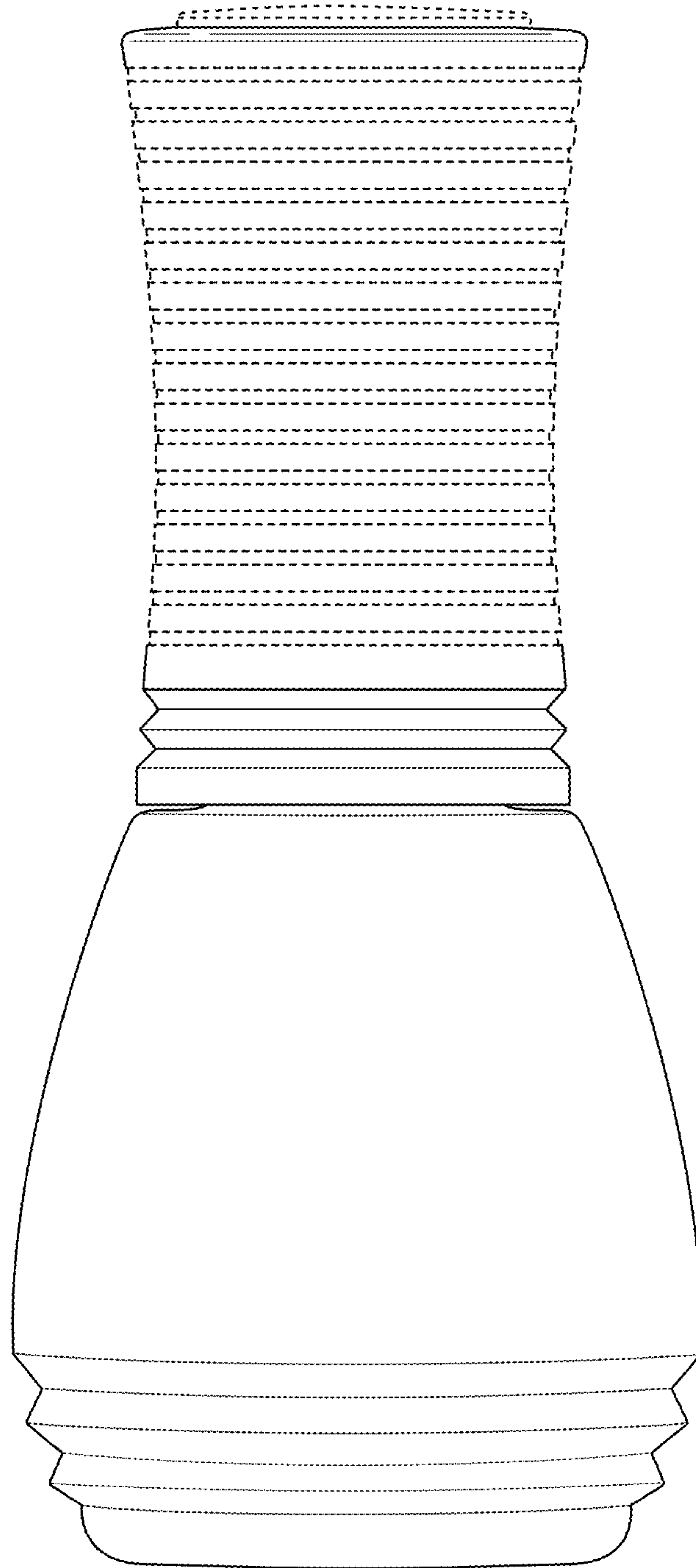
U.S. PATENT DOCUMENTS

D701,124	S	3/2014	O'Hara	
D721,966	S	2/2015	Mathiez	
D757,551	S	5/2016	Pires et al.	
D757,553	S	5/2016	Pires et al.	
D758,737	S *	6/2016	Tan .....	D4/116
D758,865	S	6/2016	Pires et al.	
D770,284	S	11/2016	Luu et al.	
D770,285	S	11/2016	Luu et al.	
D770,295	S	11/2016	Luu et al.	
D770,901	S	11/2016	Luu et al.	
D772,579	S	11/2016	Baranes	
D802,420	S *	11/2017	Luu .....	D9/452
D802,426	S *	11/2017	Luu .....	D9/502
D803,055	S *	11/2017	Luu .....	D9/452
D813,551	S *	3/2018	Tan .....	D4/116
2002/0039513	A1	4/2002	Pink	
2006/0213863	A1	9/2006	Tran et al.	

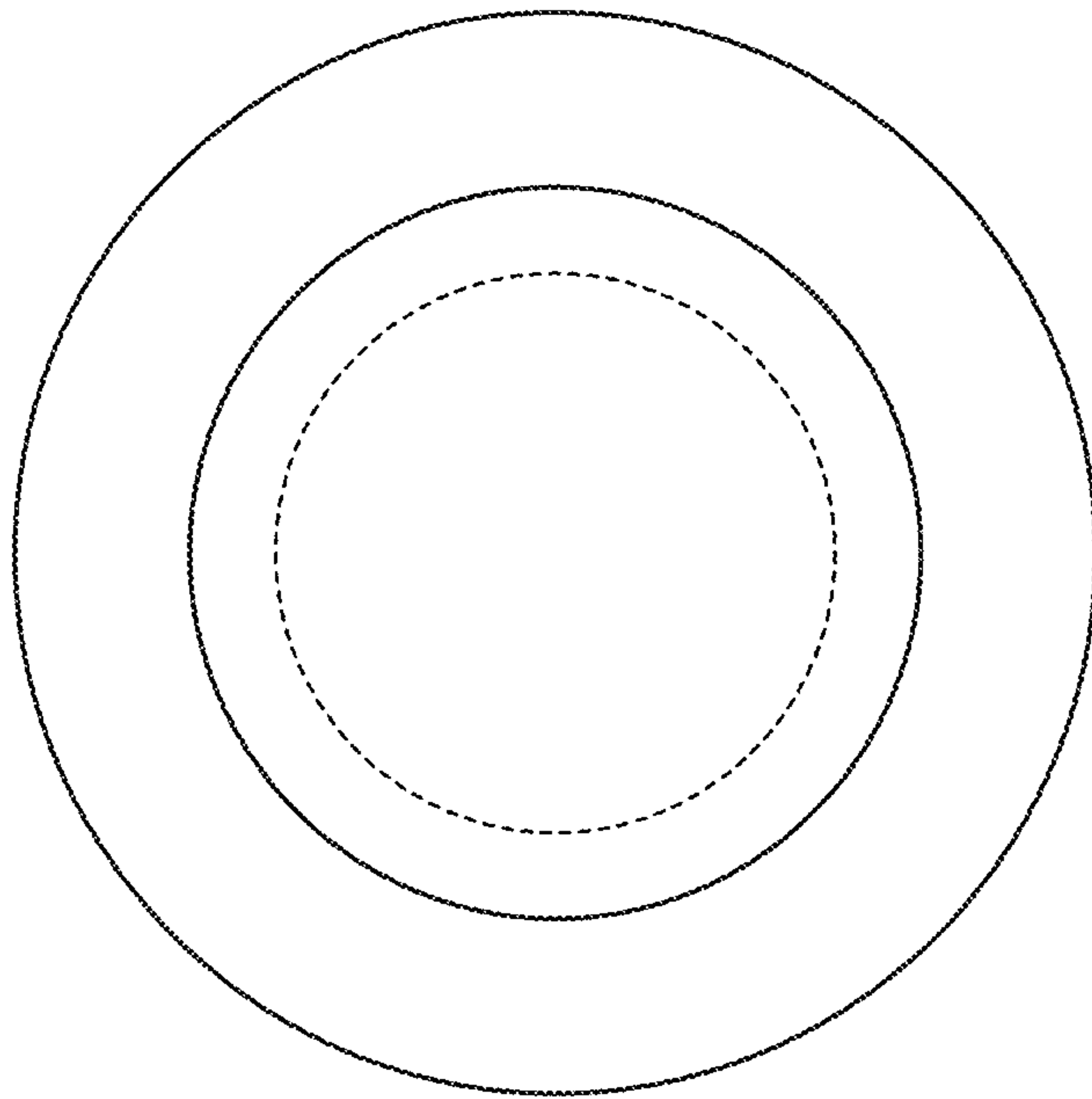
\* cited by examiner



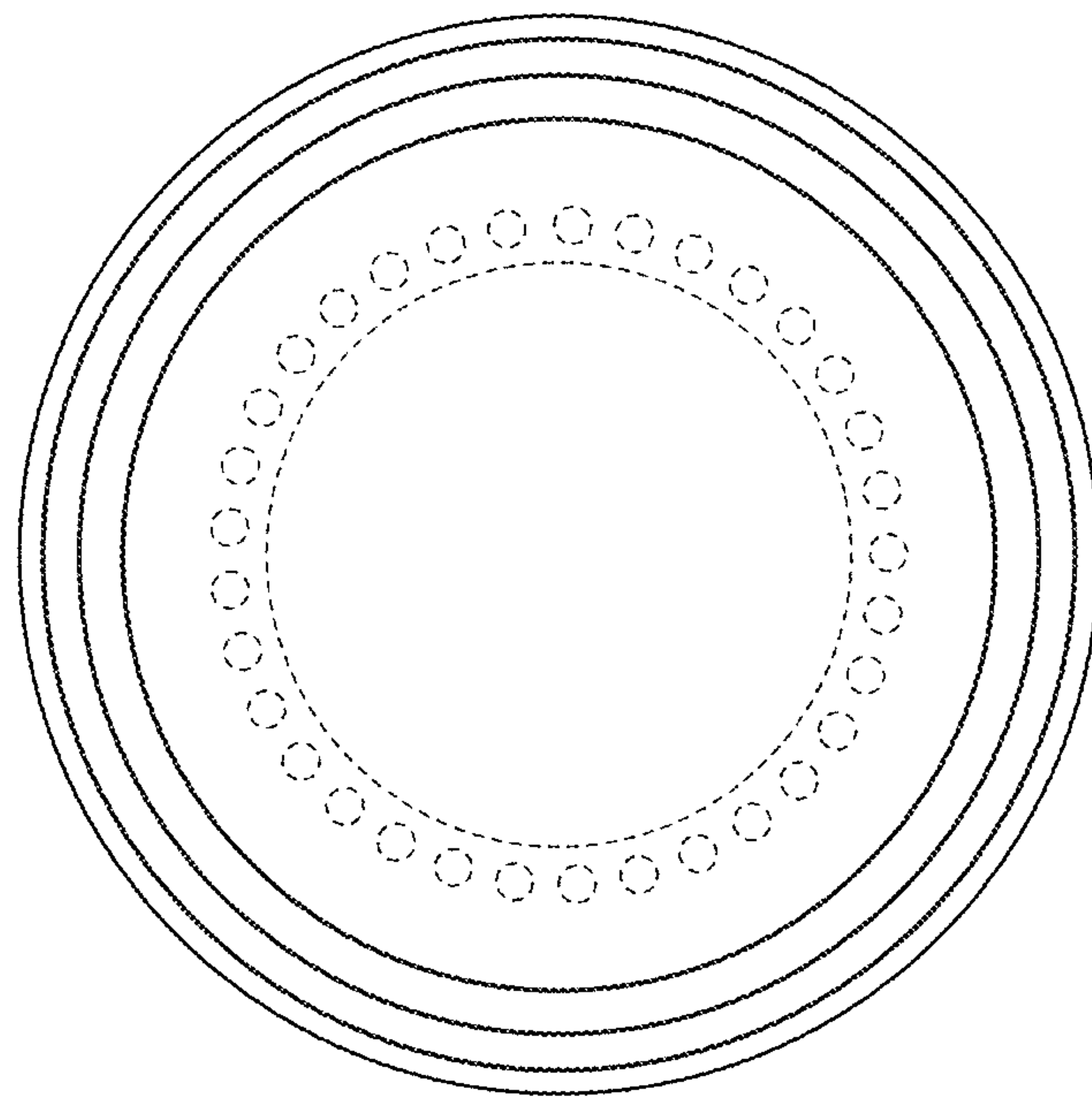
**FIG. 1**



**FIG. 2**



**FIG. 3**



**FIG. 4**