



US00D847636S

(12) **United States Design Patent** (10) **Patent No.:** **US D847,636 S**
Harris et al. (45) **Date of Patent:** **** May 7, 2019**

(54) **CONTAINER**

(71) Applicant: **Owens-Brockway Glass Container Inc.**, Perrysburg, OH (US)

(72) Inventors: **Paul Harris**, Toledo, OH (US); **Raul M Paredes**, Perrysburg, OH (US); **Douglas Laib**, Perrysburg, OH (US); **Lara Koenick**, Boyds, MD (US); **Andrew Birkhoff**, Columbus, OH (US); **Young Lee**, Perrysburg, OH (US)

(73) Assignee: **Owens-Brockway Glass Container Inc.**, Perrysburg, OH (US)

(**) Term: **15 Years**

(21) Appl. No.: **29/628,662**

(22) Filed: **Dec. 6, 2017**

(51) **LOC (11) Cl.** **09-01**

(52) **U.S. Cl.**
USPC **D9/500; D9/550**

(58) **Field of Classification Search**
USPC D9/500, 502-505, 516, 530, 537, D9/539-540, 544-546, 549, 550, 558, D9/715, 719
CPC B65D 1/00; B65D 1/02; B65D 1/0223; B65D 23/00; B65D 81/00; B65D 2501/00; B65D 2501/0009

See application file for complete search history.

(56) **References Cited**

U.S. PATENT DOCUMENTS

D91,237 S * 12/1933 Grant D9/500
D105,235 S * 7/1937 Steelman D9/545
D105,540 S * 8/1937 Smith D9/550
D330,861 S * 11/1992 Lower D9/563
D363,026 S * 10/1995 Sillince D9/500
D476,571 S 7/2003 Lince
D484,415 S * 12/2003 Hadtke D9/500

D623,534 S 9/2010 Shearsby et al.
D680,435 S 4/2013 Wanet
D682,697 S 5/2013 Gonzalez Rodriguez
D691,482 S * 10/2013 Naumann D9/550
D706,633 S * 6/2014 Reisig D9/500
D786,076 S * 5/2017 Redondo D9/500
D787,332 S 5/2017 Peneda
D790,968 S 7/2017 Thompson
D813,675 S * 3/2018 Matauch D9/500

(Continued)

OTHER PUBLICATIONS

“Winch”, Downloads: Product Sheets, Spirits. Saverglass Inc., retrieved Jan. 2018, Downloaded file dated Feb. 2014, 2 pages, <<https://www.saverglass.com/en/downloads>>.*

(Continued)

Primary Examiner — Dana Meyrow

(57) **CLAIM**

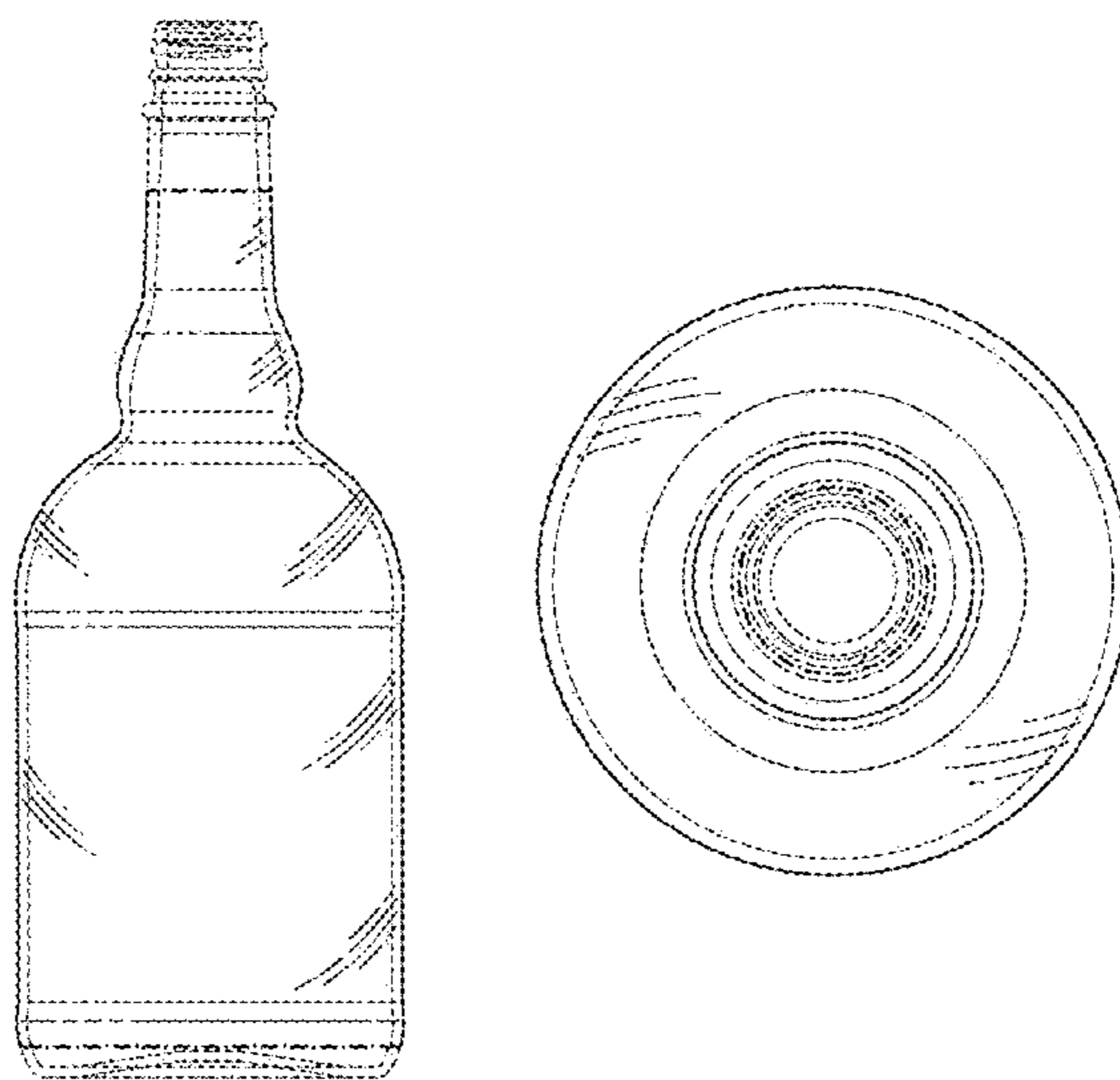
We claim the ornamental design for a container, as shown and described.

DESCRIPTION

FIG. 1 is a perspective view of a container in accordance with our new design;
FIG. 2 is a front view of the container in FIG. 1, the rear and side views of the claimed design being identical to the front view of FIG. 2.
FIG. 3 is an enlarged top view of the container in FIG. 1; and,
FIG. 4 is an enlarged bottom view of the container in FIG. 1.

Dash-dash-dash broken lines shown in the drawings represent subject matter that is not part of the claimed design.
Dash-dot-dash broken lines shown in the drawings represent boundaries of the claimed design and are not part of the claimed design.

1 Claim, 2 Drawing Sheets



(56)

References Cited

U.S. PATENT DOCUMENTS

D813,677 S * 3/2018 Pelkey D9/500
D815,527 S * 4/2018 Harris D9/500

OTHER PUBLICATIONS

“Martinique”, “Forty-Six” and “Winch”, Speakeasy, The Craft Secret Line, Saverglass website, Downloads: Thematic Leaflets, Saverglass Inc., retrieved Feb. 2016, 4 pages, < <https://www.saverglass.com/en/downloads> >.*

“Forty-Six” and “Martinique”, Downloads: Product Sheets, Spirits. Saverglass Inc., retrieved Jan. 2018, downloaded file dated Jan. 2014, retrieved Jan. 2019, 4 pages, < <https://www.saverglass.com/en/downloads> >.*

<http://beveragebusiness.com/2015/09/chivas-regal-12-year-old-new-packaging>, Sep. 8, 2015.

* cited by examiner

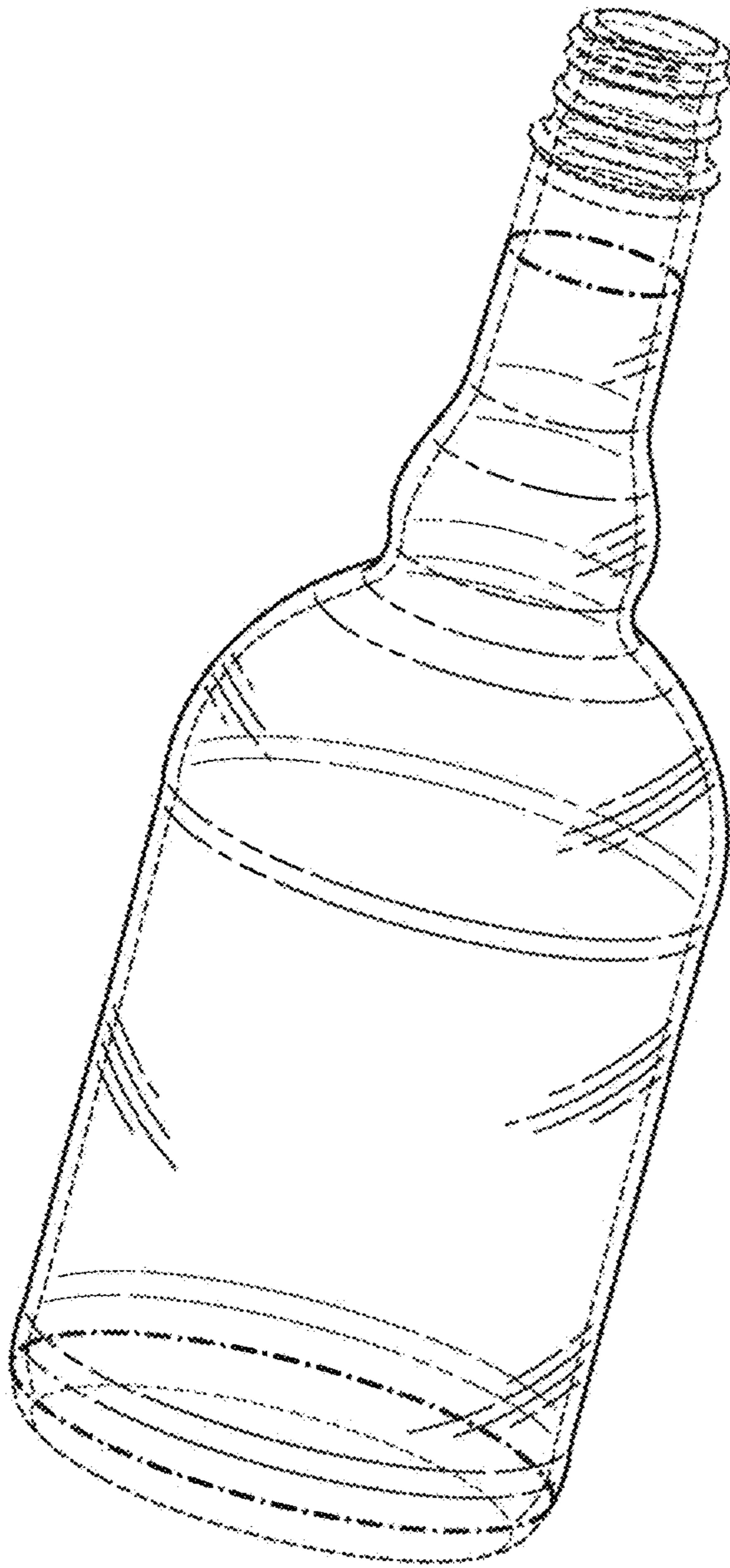


FIG. 1

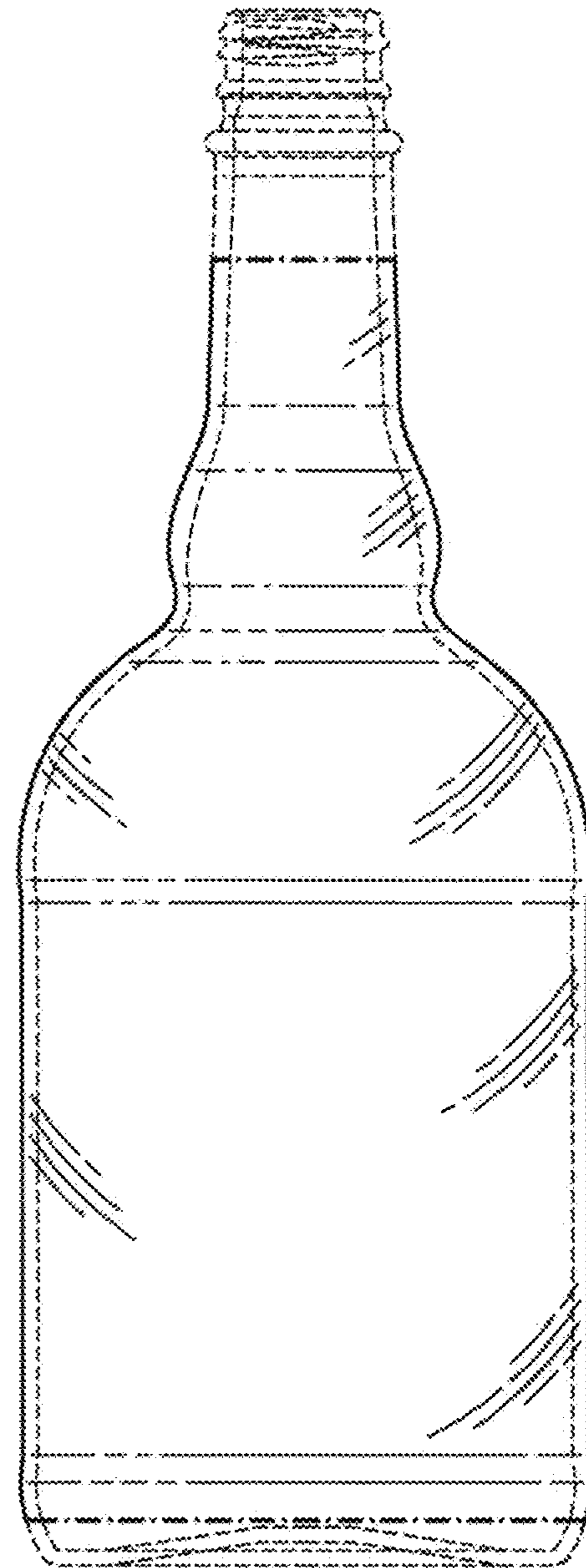


FIG. 2

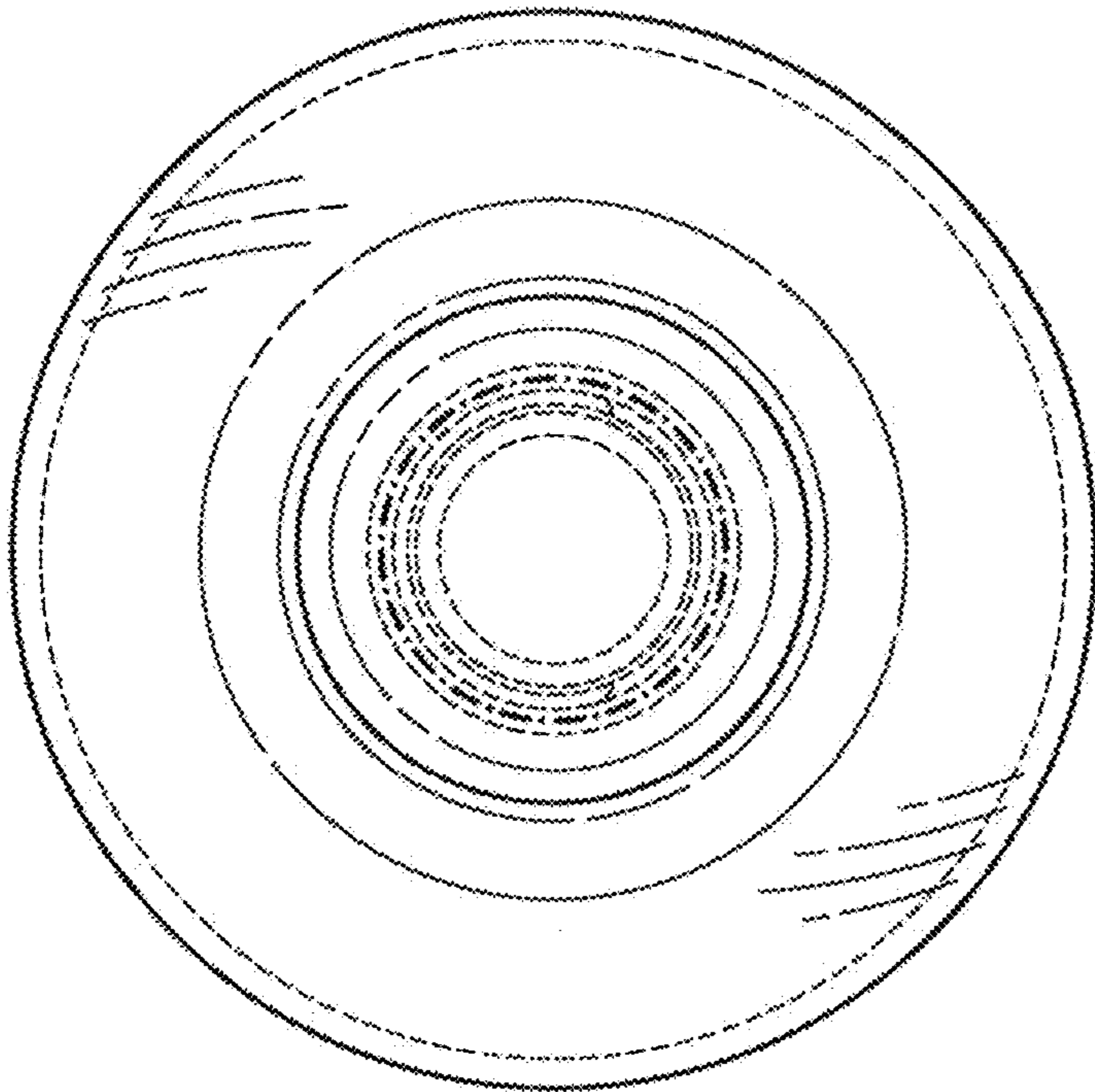


FIG. 3

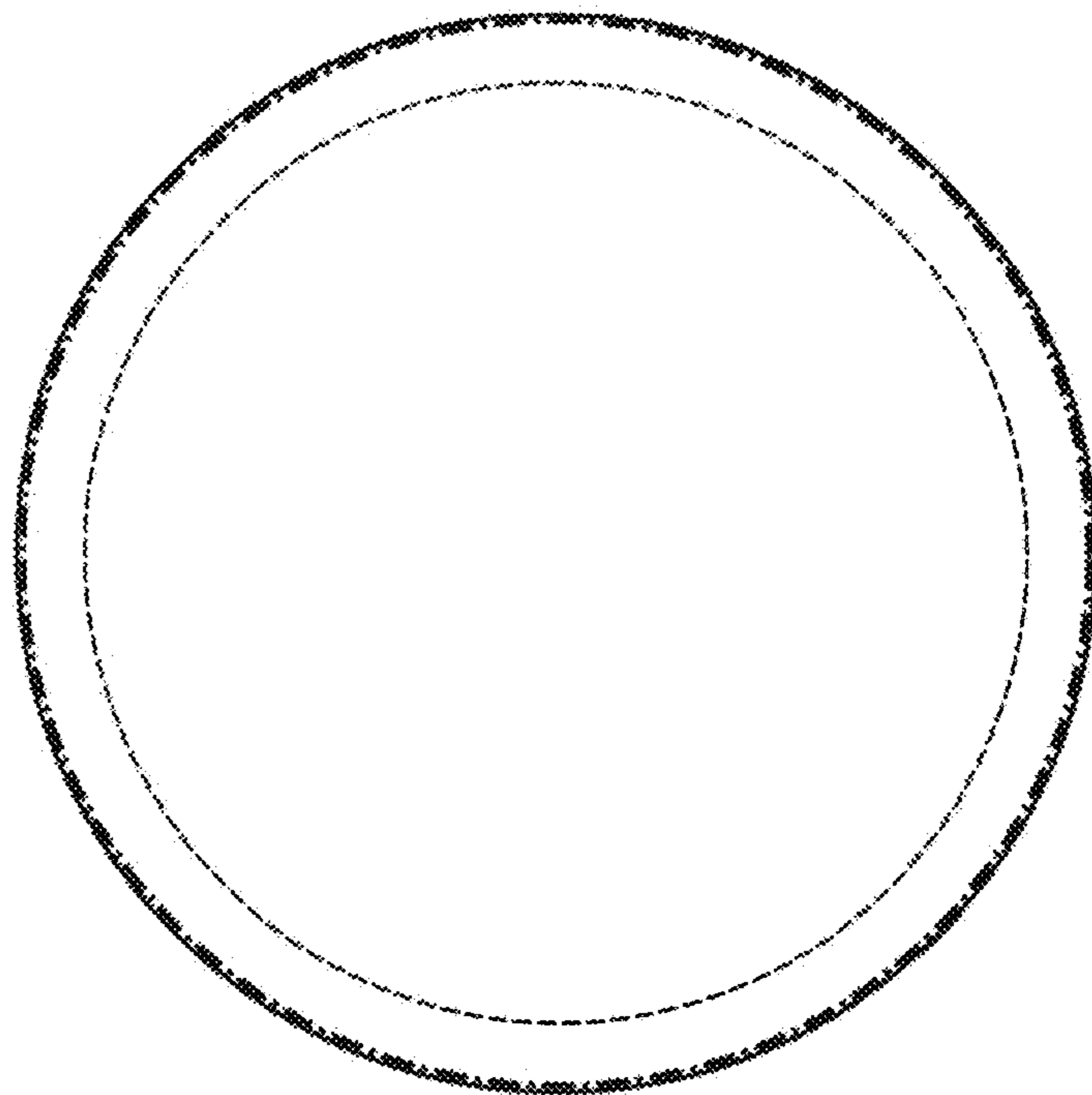


FIG. 4