



US00D847635S

(12) **United States Design Patent** (10) **Patent No.:** **US D847,635 S**
Palma (45) **Date of Patent:** **** *May 7, 2019**

- (54) **FOOD DRAINING INSERT FOR PACKAGE**
- (71) Applicant: **Eduardo O. Palma**, Rochester, NY (US)
- (72) Inventor: **Eduardo O. Palma**, Rochester, NY (US)
- (*) Notice: This patent is subject to a terminal disclaimer.
- (**) Term: **15 Years**
- (21) Appl. No.: **29/534,595**
- (22) Filed: **Jul. 30, 2015**
- (51) **LOC (11) Cl.** **09-07**
- (52) **U.S. Cl.**
USPC **D9/456**
- (58) **Field of Classification Search**
USPC D5/55, 99; D9/414, 415, 418, 427, 432, D9/434-436, 455-457, 499, 702, 707, D9/748; D19/1, 100; D20/22, 27; D23/260, 261
CPC E03D 9/032; E03F 5/06
See application file for complete search history.

(56) **References Cited**

U.S. PATENT DOCUMENTS

| | | | |
|---------------|---------|----------------|----------------------|
| D223,654 S * | 5/1972 | Reifers et al. | 229/407 |
| D226,053 S * | 1/1973 | Reifers et al. | 229/407 |
| D261,728 S * | 11/1981 | Khula | D9/418 |
| D268,646 S * | 4/1983 | Hudson, Jr. | D9/425 |
| D319,979 S * | 9/1991 | Johnson | D9/434 |
| 5,462,382 A * | 10/1995 | Sauerwein | E01C 11/227 404/2 |
| D389,054 S * | 1/1998 | Teags | D9/431 |
| D470,414 S * | 2/2003 | Hsu | D9/456 |
| D554,820 S * | 11/2007 | Dretzka | D32/57 |
| D621,704 S * | 8/2010 | Lymn | D9/432 |
| D625,482 S * | 10/2010 | Yang | D32/57 |
| D645,345 S * | 9/2011 | Liebowitz | D9/435 |
| D645,347 S * | 9/2011 | Liebowitz | D9/435 |

| | | | |
|-------------------|---------|---------------|--------------------|
| D694,863 S * | 12/2013 | Brodey | D23/261 |
| D736,353 S * | 8/2015 | Lucas | D23/261 |
| D742,483 S * | 11/2015 | Chapman | D23/261 |
| D744,332 S * | 12/2015 | D'Anglade | D9/418 |
| D749,706 S * | 2/2016 | Johansen | D23/260 |
| D759,791 S * | 6/2016 | Hull | D23/261 |
| D759,792 S * | 6/2016 | Flury | D23/261 |
| 2006/0159515 A1 * | 7/2006 | Messerschmidt | E03F 5/06 404/4 |

OTHER PUBLICATIONS

Central Restaurant Products. Cambro Food Pan Drain Shelf. 2016 [online date], [site visited Oct. 27, 2016]. Available from Internet, <URL:http://www.centralrestaurant.com/Food-Pan-Drain-Shelf-Fourth-Size-Camwear-Pans-c80p8906.html?st=google_shopping&gclid=CjwKEAjwy8bABRD5osXMovTHpmQSJACfZY0F3GpiD4InWdanb9UksZ2f1JiugBlbjm0vI6LmHteIRBoCPn7w_wcB>.*

* cited by examiner

Primary Examiner — Robert M Spear
Assistant Examiner — Darcey E Heflin
(74) *Attorney, Agent, or Firm* — Hulsey, P.C.

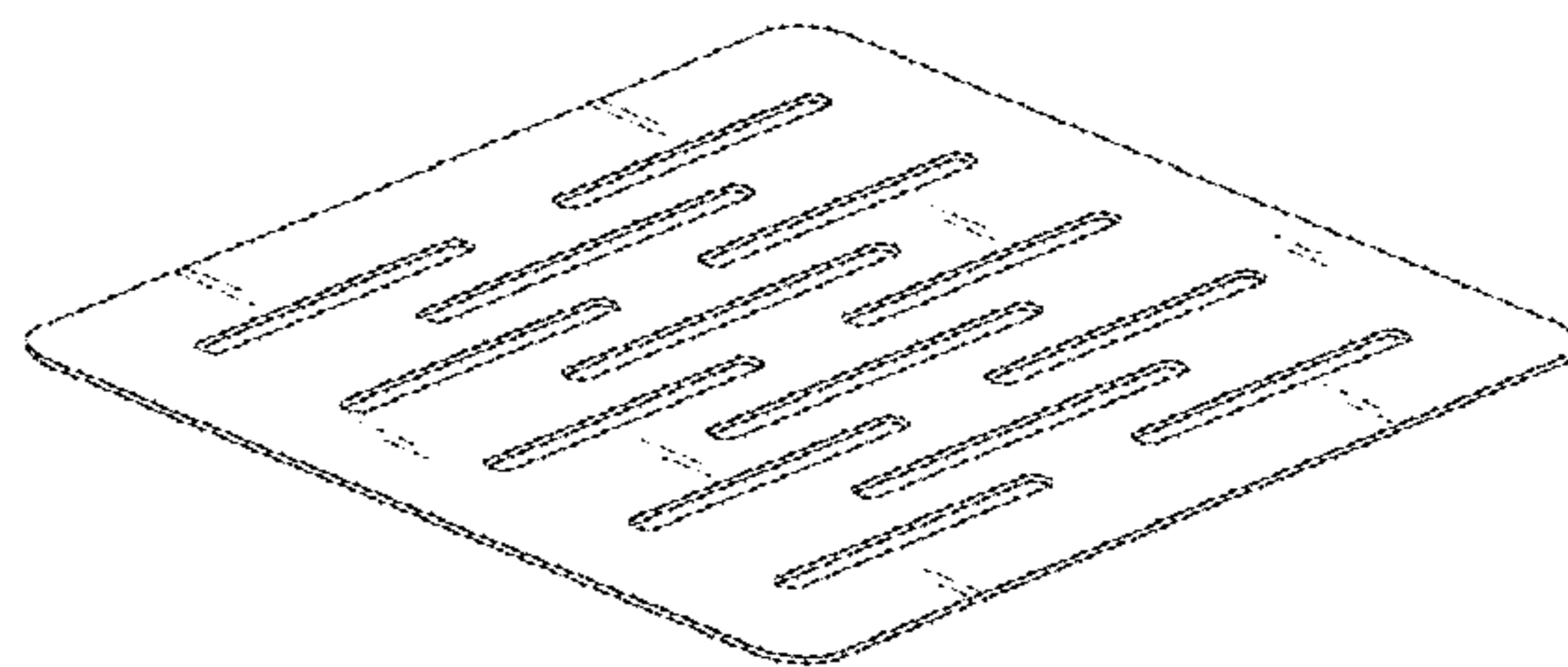
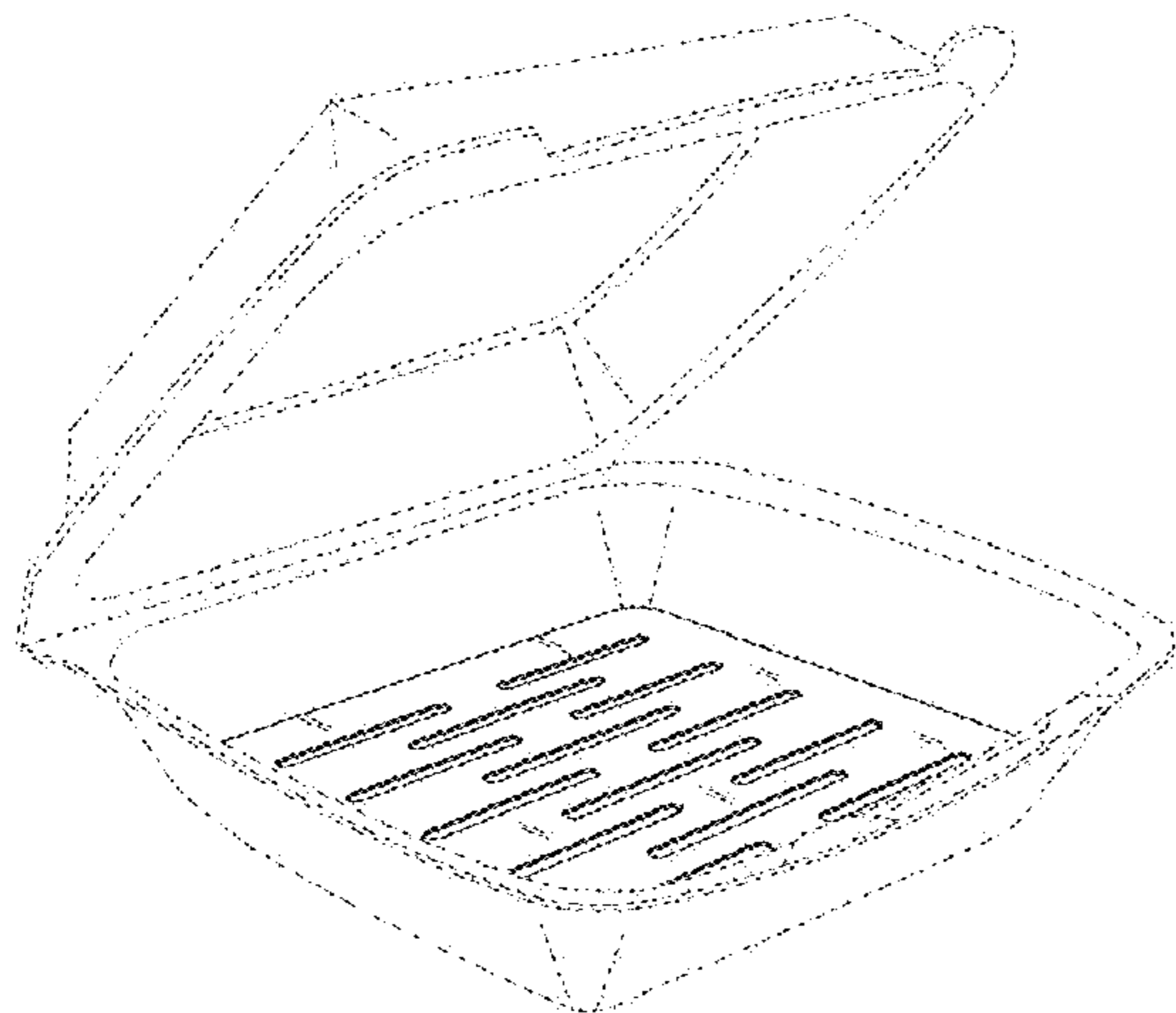
(57) **CLAIM**

The ornamental design for a food draining insert for package, as shown and described.

DESCRIPTION

FIG. 1 depicts a perspective view of a food draining insert for package within a container.
FIG. 2 depicts a perspective view of a food draining insert for package.
FIG. 3 depicts a top view of a food draining insert for package; and,
FIG. 4 depicts a side view of a food draining insert for package.
In the drawings, the broken line showing of a container depicts environment and forms no part of the claim.

1 Claim, 4 Drawing Sheets



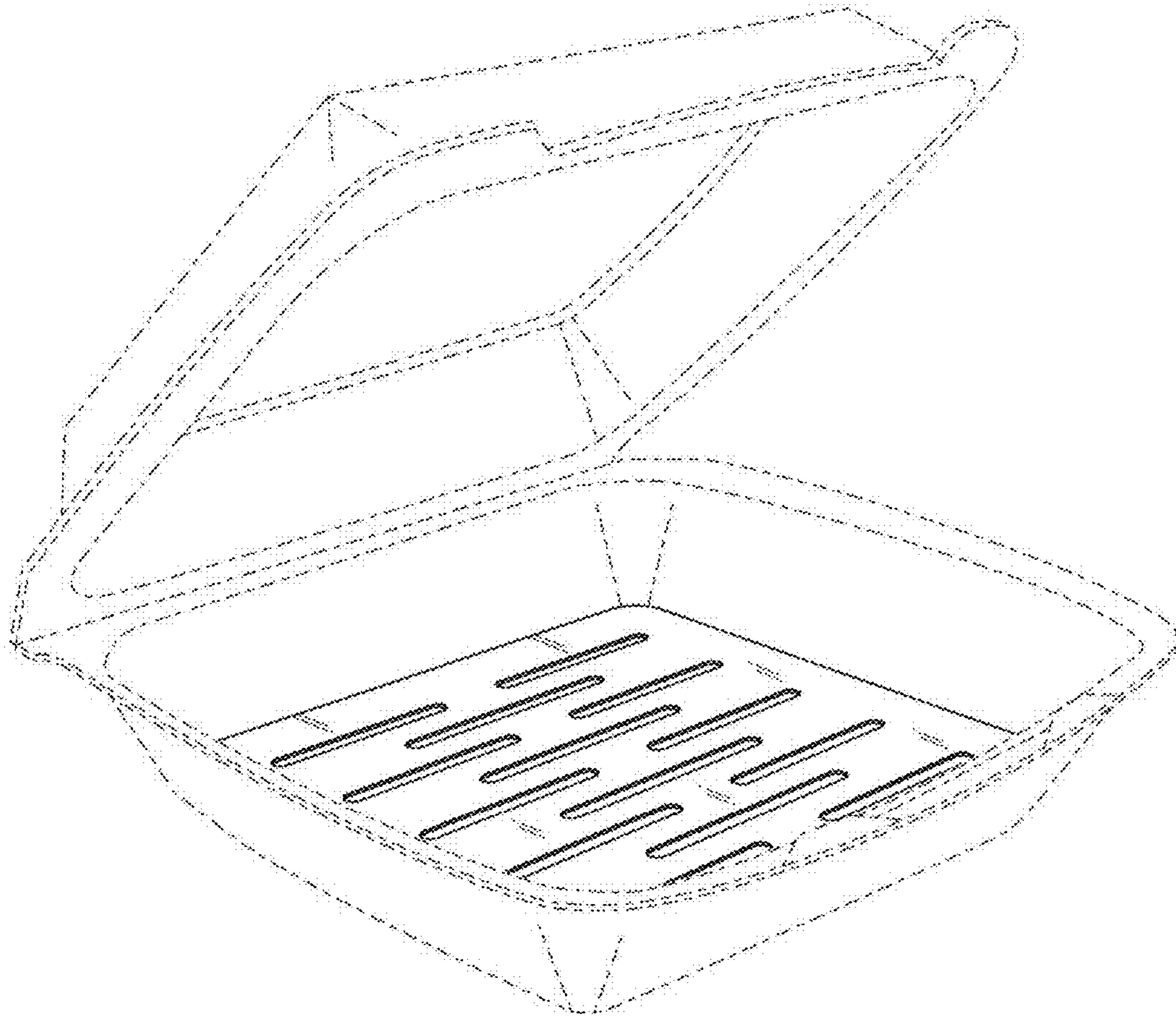


FIG. 1

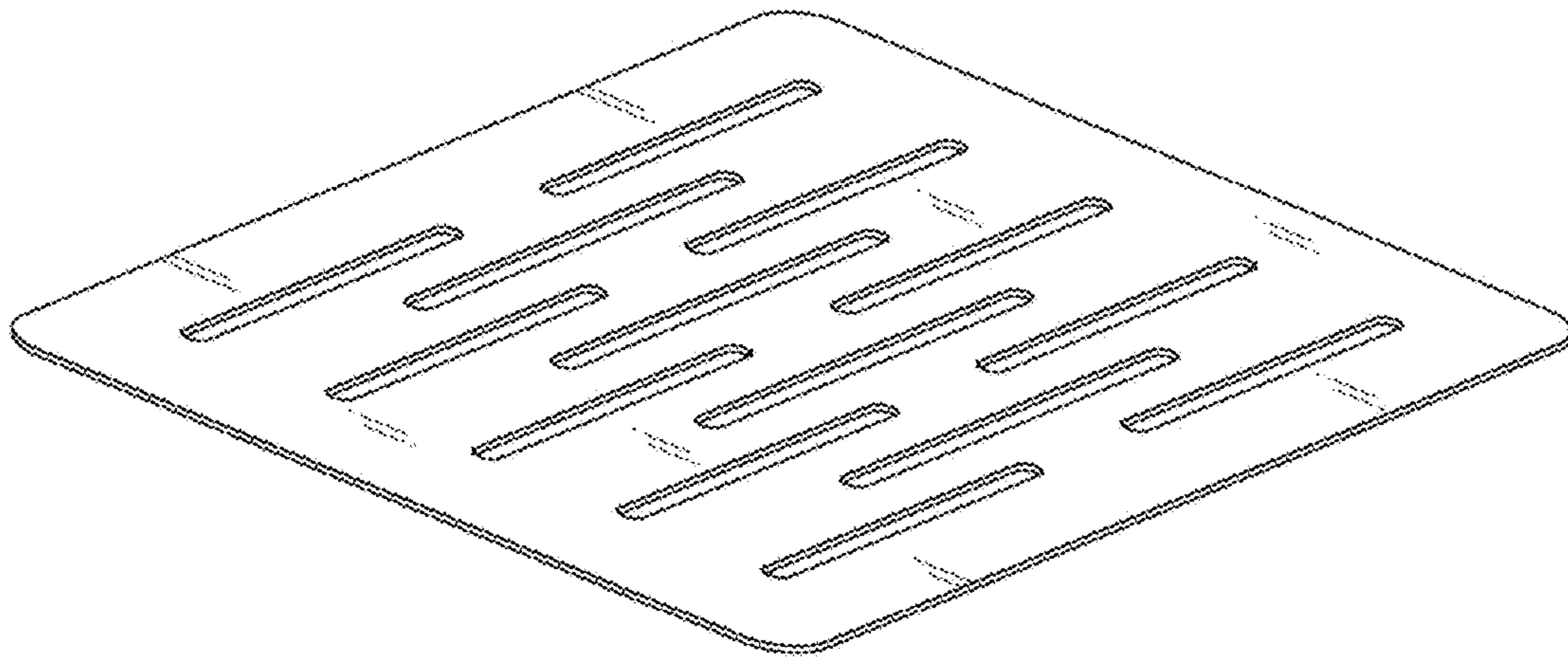


FIG. 2

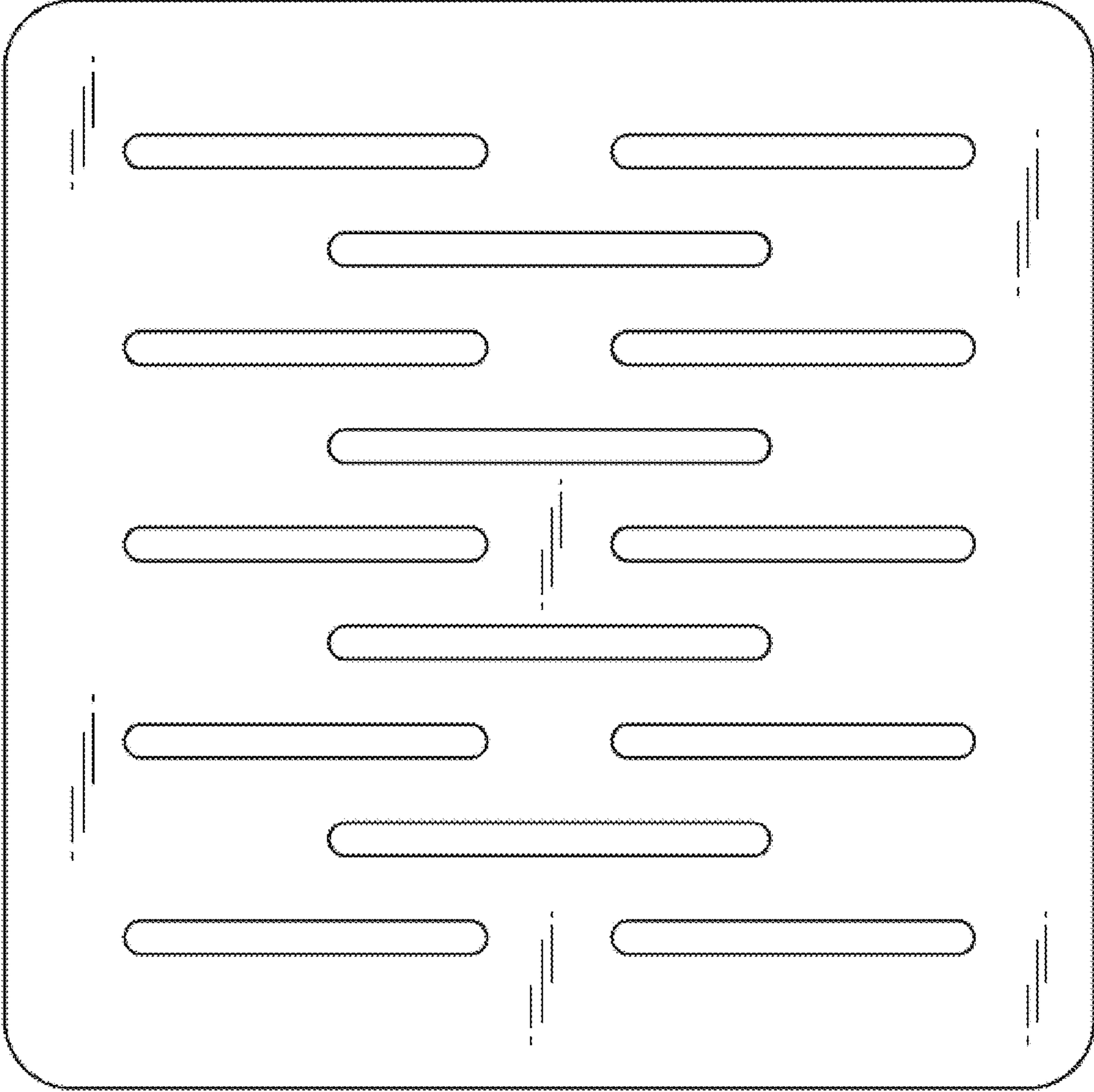


FIG. 3

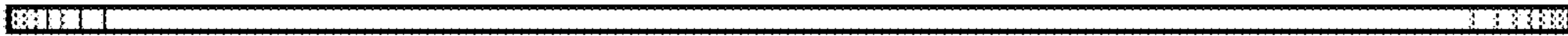


FIG. 4