



US00D847633S

(12) **United States Design Patent** (10) **Patent No.:** **US D847,633 S**
Berge et al. (45) **Date of Patent:** **** May 7, 2019**

(54) **CLOSURE**

- (71) Applicant: **Silgan White Cap LLC**, Downers Grove, IL (US)
- (72) Inventors: **Gary L. Berge**, Crystal Lake, IL (US); **Thomas Patrick Hennessy**, Naperville, IL (US)
- (73) Assignee: **Silgan White Cap LLC**, Downers Grove, IL (US)
- (**) Term: **15 Years**
- (21) Appl. No.: **29/598,541**
- (22) Filed: **Mar. 27, 2017**

Related U.S. Application Data

- (62) Division of application No. 29/589,960, filed on Jan. 5, 2017.
- (51) **LOC (11) Cl.** **09-07**
- (52) **U.S. Cl.**
USPC **D9/449**
- (58) **Field of Classification Search**
USPC D3/202, 203.1, 203.2, 318, 273, 275, D3/294; D7/300, 300.1, 216, 317, 387,
(Continued)

(56) **References Cited**

U.S. PATENT DOCUMENTS

- 3,113,706 A 12/1963 Wickman
- 3,744,675 A 7/1973 Song
- (Continued)

FOREIGN PATENT DOCUMENTS

- CH 707697 9/2014
- WO WO2007006954 1/2007

OTHER PUBLICATIONS

Flip Top Creamer Closure: Site Visited Jan. 25, 2018. Available from Internet URL: <https://silgancls.com/wp-content/uploads/2017/02/Silgan-Closures-Flip-top-creamers-closures1.pdf>.*

(Continued)

Primary Examiner — Jennifer Rivard
Assistant Examiner — Catherine S Posthauer
 (74) *Attorney, Agent, or Firm* — Reinhart Boerner Van Deuren s.c.

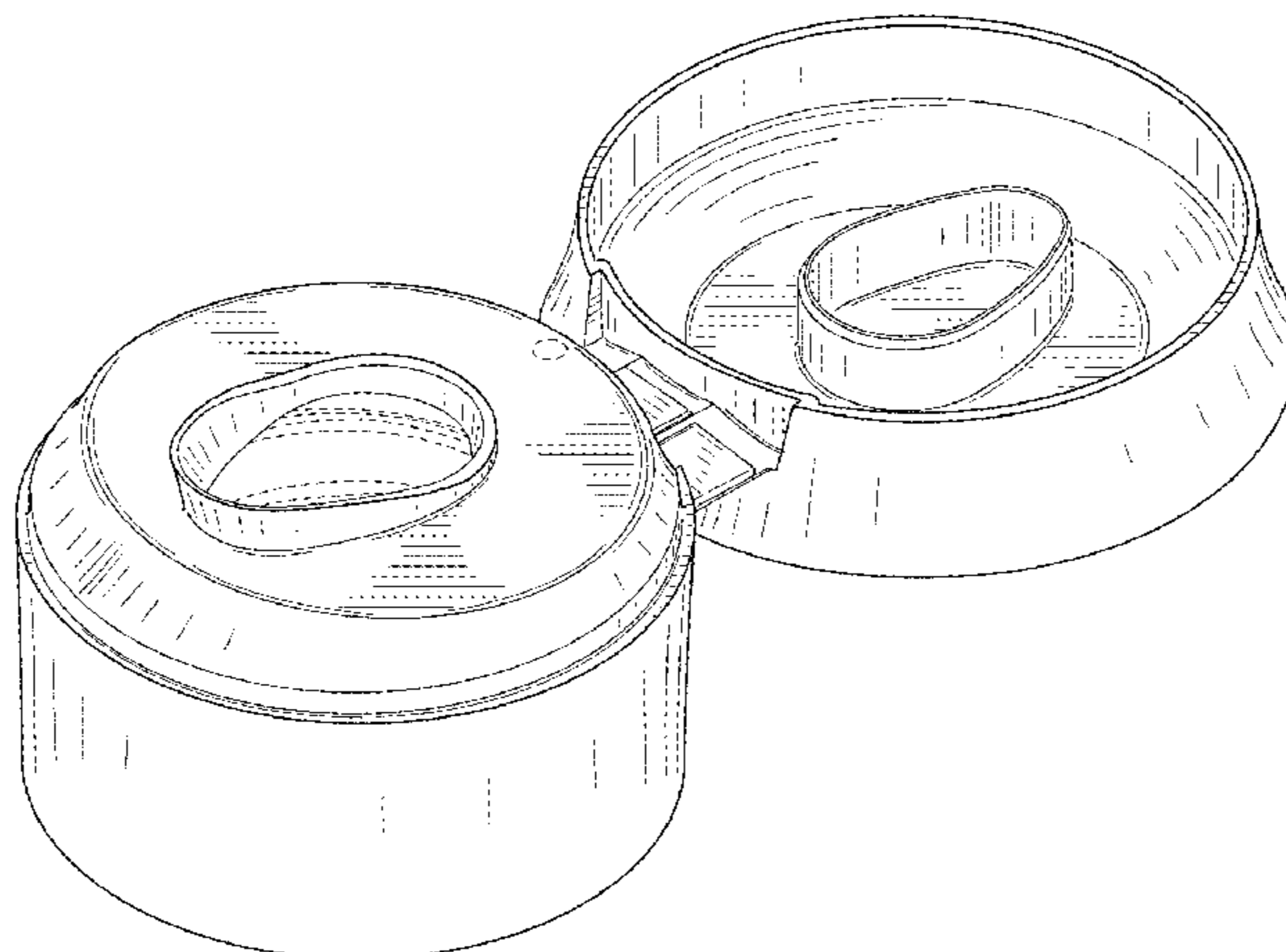
(57) **CLAIM**

We claim the ornamental design for a closure, as shown and described.

DESCRIPTION

FIG. 1 is a top perspective view of the claimed design showing the closure in an open configuration;
 FIG. 2 is a bottom perspective view of the claimed design of FIG. 1;
 FIG. 3 is a right side view of the claimed design of FIG. 1;
 FIG. 4 is a left side view of the claimed design of FIG. 1;
 FIG. 5 is a front view of the claimed design of FIG. 1;
 FIG. 6 is a rear view of the claimed design of FIG. 1;
 FIG. 7 is a top view of the claimed design of FIG. 1;
 FIG. 8 is a bottom view of the claimed design of FIG. 1;
 FIG. 9 is a top perspective view of claimed design of FIG. 1 showing the cap of the closure hinged at an angle relative to the base to the closure;
 FIG. 10 is a top perspective view of the claimed design of FIG. 1 showing the closure in a closed configuration;
 FIG. 11 is a bottom perspective view of the claimed design of FIG. 10;
 FIG. 12 is a right side view of the claimed design of FIG. 10;
 FIG. 13 is a left side view of the claimed design of FIG. 10;
 FIG. 14 is a front view of the claimed design of FIG. 10; and,
 FIG. 15 is a rear view of the claimed design of FIG. 10.
 The broken lines are shown for the purpose of illustrating parts of the article that form no part of the claim.

1 Claim, 11 Drawing Sheets



(58) **Field of Classification Search**

USPC .. D7/391, 391.2, 393, 396.2, 509, 510, 511, D7/523, 525-531, 538, 541, 549, 629, D7/703, 900; D9/434, 435, 436, 438, D9/439, 440, 443, 446, 447, 448, 449, D9/450, 452, 453, 454, 502, 503, 504, D9/516, 517, 529; D19/70, 71, 115, 93, D19/162, 163, 165, 192, 194; D26/36, D26/123, 124; D24/121, 127, 299, 224; D28/7, 76, 78, 82, 85, 91; D34/1, 7, 10, D34/11, 29
 CPC B65D 50/041; B65D 23/00; B65D 1/00; B65D 1/02; B65D 1/0223; B65D 83/06; A47G 18/22; A47G 18/23
 See application file for complete search history.

D636,672 S 4/2011 Lohrman et al.
 D661,582 S 6/2012 Gatrost et al.
 D662,416 S 6/2012 Dziersek et al.
 D666,098 S 8/2012 Cummings et al.
 8,267,274 B2 9/2012 Danks et al.
 D680,434 S 4/2013 Fracasso
 D681,458 S 5/2013 Santarelli
 8,448,798 B2 * 5/2013 Groubert B29C 45/1676
 215/235
 8,474,646 B2 6/2013 Danks et al.
 D688,554 S 8/2013 Fracasso
 D709,764 S 7/2014 Gibb
 D711,230 S 8/2014 den Boer
 D713,723 S 9/2014 den Boer
 D713,724 S 9/2014 den Boer
 D716,142 S 10/2014 Luijendijk
 D722,267 S 2/2015 Miranda De Araujo et al.
 D730,729 S 6/2015 George
 D739,750 S 9/2015 Luijendijk
 D742,229 S 11/2015 Wisniewski et al.
 D750,490 S 3/2016 Moore et al.
 D768,490 S 10/2016 Robinson et al.
 D769,715 S * 10/2016 Bois D9/449
 D772,708 S 11/2016 Lloyd et al.
 D779,940 S * 2/2017 Kim D9/449
 D782,310 S 3/2017 Li
 D790,343 S * 6/2017 Velmer D9/449
 D794,458 S * 8/2017 Lloyd D9/449
 D818,309 S * 5/2018 Jasso Gomez D7/392.1
 2003/0116879 A1 * 6/2003 Mueller B29C 43/021
 264/142
 2004/0016714 A1 * 1/2004 Wood B65D 47/0814
 215/235
 2006/0186079 A1 * 8/2006 Ziegenhorn B65D 47/0809
 215/237
 2007/0131804 A1 6/2007 Westrich
 2008/0245795 A1 * 10/2008 Berge B65D 47/0814
 220/264
 2009/0101646 A1 4/2009 Paul et al.
 2010/0140266 A1 * 6/2010 Lohrman B65D 47/0838
 220/254.3
 2012/0080450 A1 4/2012 Dziersek et al.
 2013/0037510 A1 2/2013 Tamarit Rios
 2016/0207693 A1 7/2016 Carpenter et al.

(56) **References Cited**

U.S. PATENT DOCUMENTS

4,638,916 A * 1/1987 Beck B65D 47/0814
 215/235
 4,759,455 A * 7/1988 Wilson B65D 47/0838
 215/206
 D306,265 S 2/1990 Leebeek
 D306,701 S * 3/1990 Beck D9/446
 D374,399 S 10/1996 Neveras et al.
 D436,040 S 1/2001 Warner et al.
 D455,077 S * 4/2002 Gaiser D9/449
 6,367,670 B1 4/2002 Warner et al.
 6,510,971 B1 * 1/2003 Martin B29C 33/44
 215/237
 D471,456 S 3/2003 Young et al.
 D472,144 S 3/2003 Hierzer et al.
 D476,892 S 7/2003 Martin et al.
 D508,203 S * 8/2005 Ziegenhorn D9/449
 D508,402 S * 8/2005 Hierzer D9/449
 D511,685 S * 11/2005 Choi D9/449
 D513,474 S * 1/2006 Choi D9/449
 D516,425 S * 3/2006 Haffner D9/449
 D530,202 S 10/2006 Herald et al.
 D541,154 S * 4/2007 Moribata D9/449
 D547,184 S 7/2007 Kim et al.
 D588,915 S 3/2009 Lohrman et al.
 D608,198 S 1/2010 Lohrman et al.
 D608,199 S 1/2010 Gross
 D610,907 S 3/2010 Robillard et al.
 D611,817 S 3/2010 Simmons et al.
 D612,729 S 3/2010 Lohrman et al.
 D614,488 S * 4/2010 Kallenbach D9/449
 7,717,284 B2 5/2010 Giusti
 D628,887 S 12/2010 Groubert et al.
 D628,888 S 12/2010 Groubert et al.
 D628,889 S 12/2010 Groubert et al.
 D628,890 S 12/2010 Groubert et al.
 D628,891 S 12/2010 Groubert et al.
 D628,892 S 12/2010 Groubert et al.
 D628,893 S 12/2010 Groubert et al.
 D634,198 S * 3/2011 Groubert D9/449

OTHER PUBLICATIONS

Berry Plastics Flip Top Closure: Site Visited Jan. 24, 2019 [online]. Available from Internet URL: <https://catalog.berryglobal.com/products/closure/dispensing/closure605cd38400fsbs>.
 Global Closure Systems Flip Top Cap: Announced May 28, 2014 [online]. Site Visited Jan. 24, 2019. Available from Internet URL: <https://www.packworld.com/article/package-component/closures/closures-rigid-containers/global-closure-systems-flip-top-caps>.
 Silgan Closures, "Flip Top Creamer Closures," Product Information Sheet, accessed on Internet on Jan. 25, 2018, [<https://silgancls.com/wp-content/uploads/2017/02/Silgan-Closures-Flip-top-creamerclosures1.pdf>], 1 page.
 U.S. Appl. No. 29/589,960, filed Jan. 5, 2017, Berge et al.

* cited by examiner

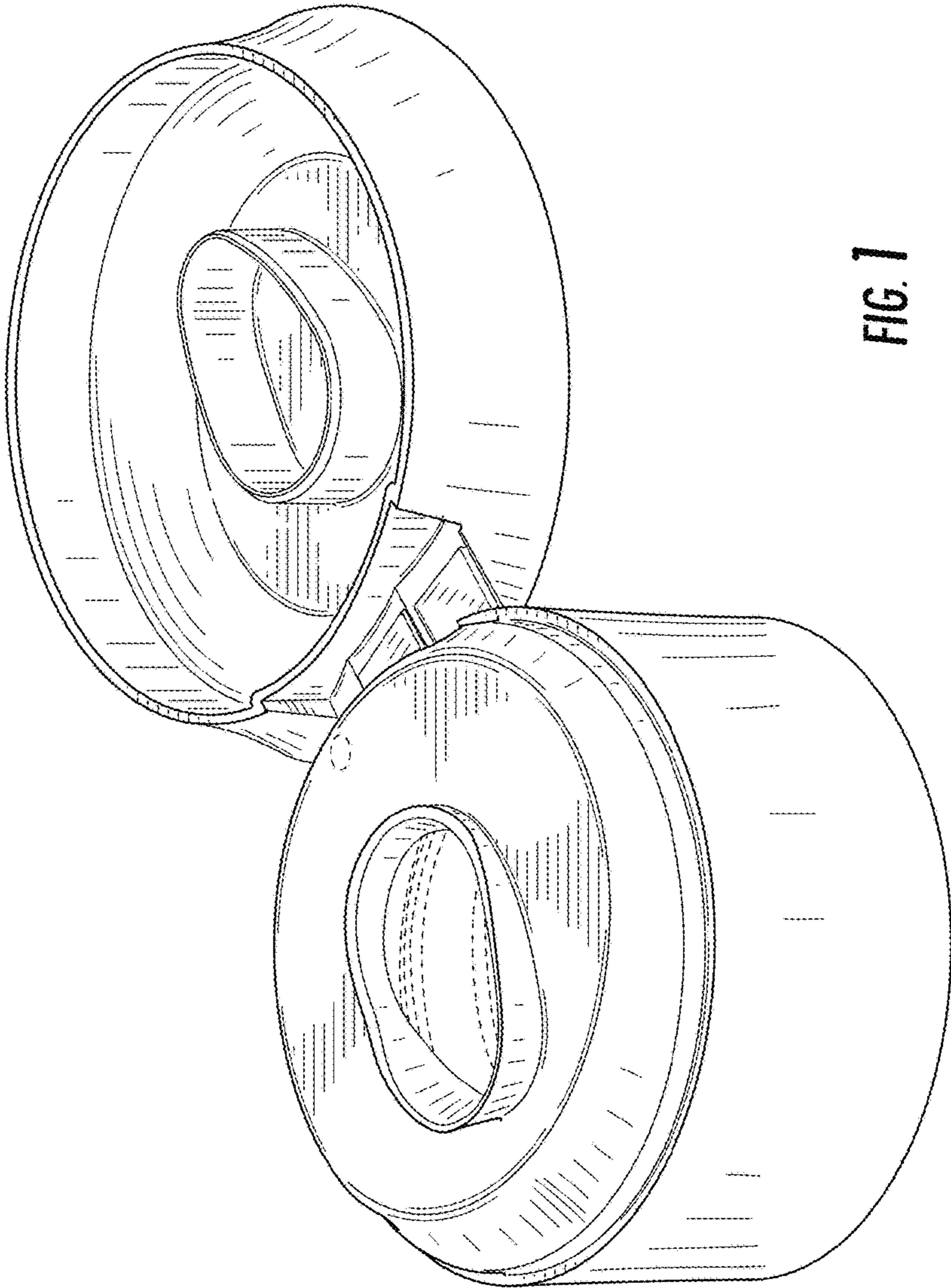


FIG. 1

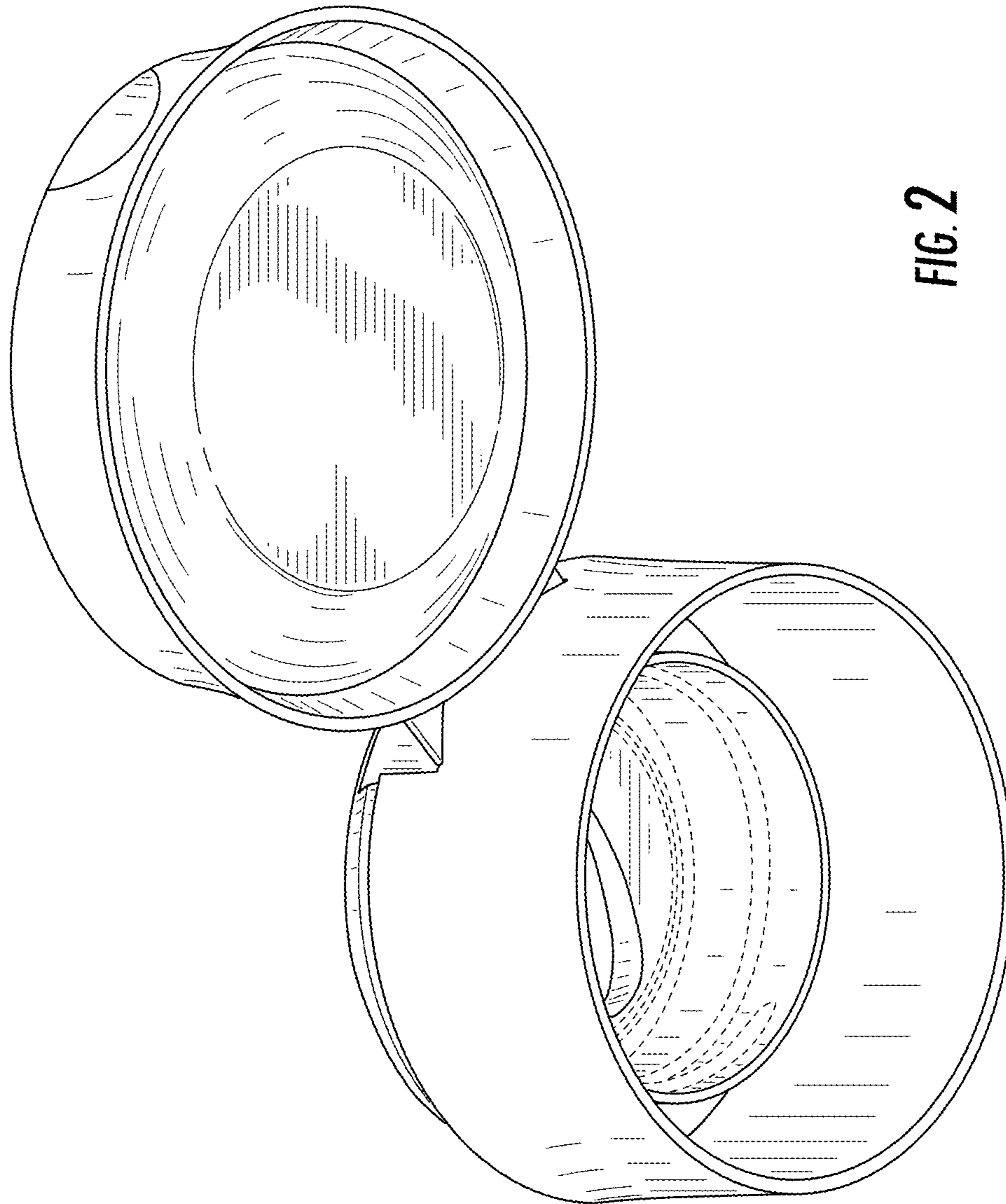


FIG. 2

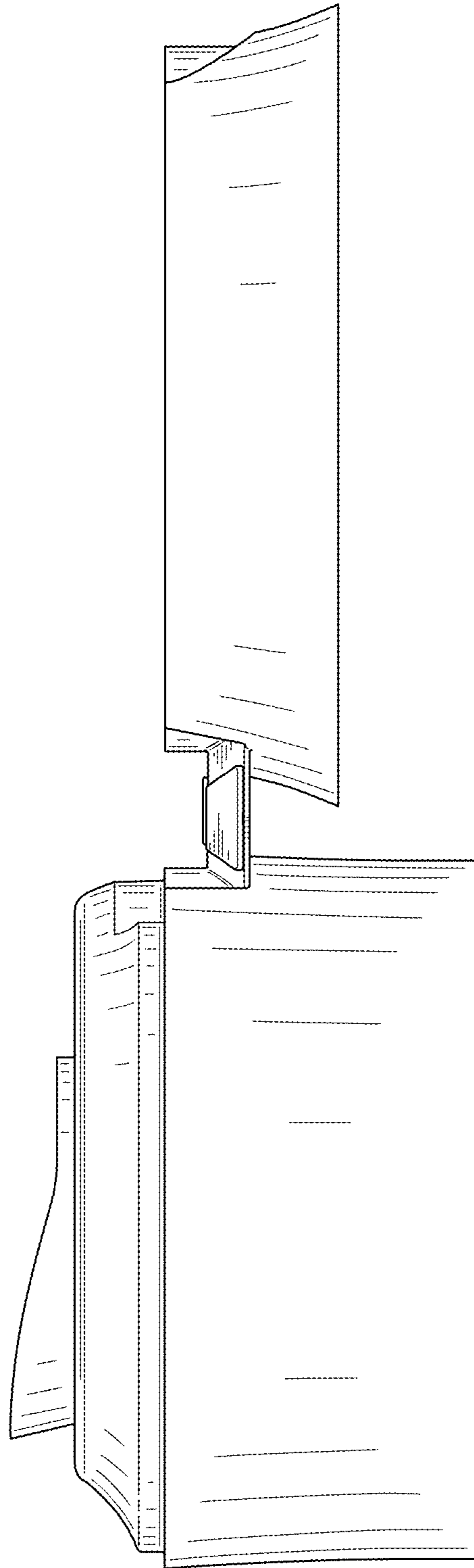


FIG. 3

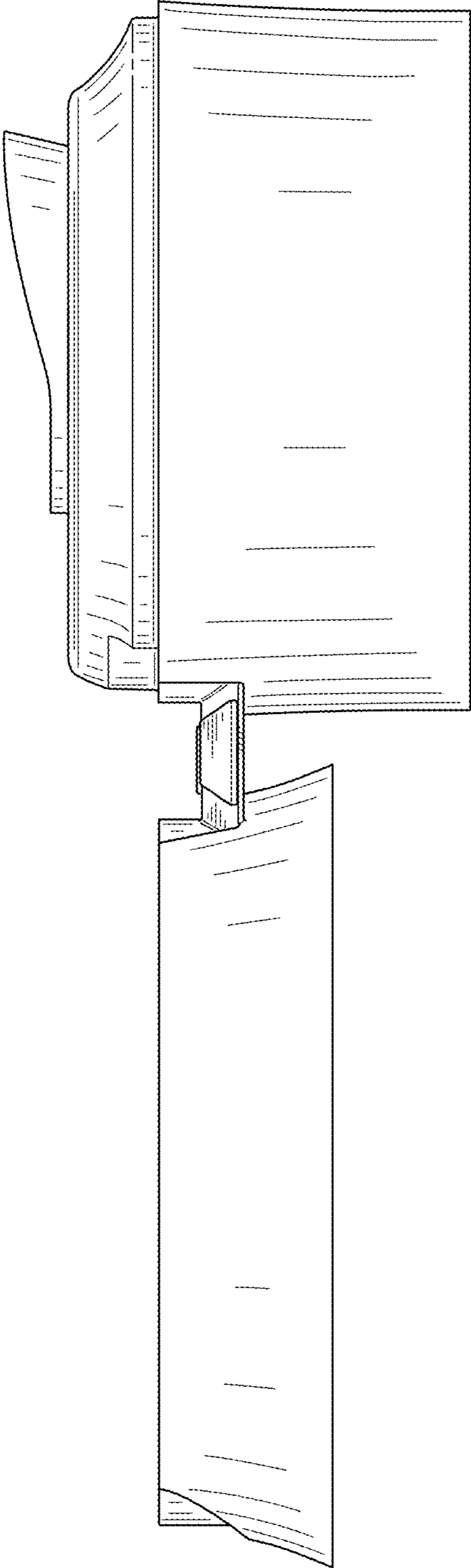


FIG. 4

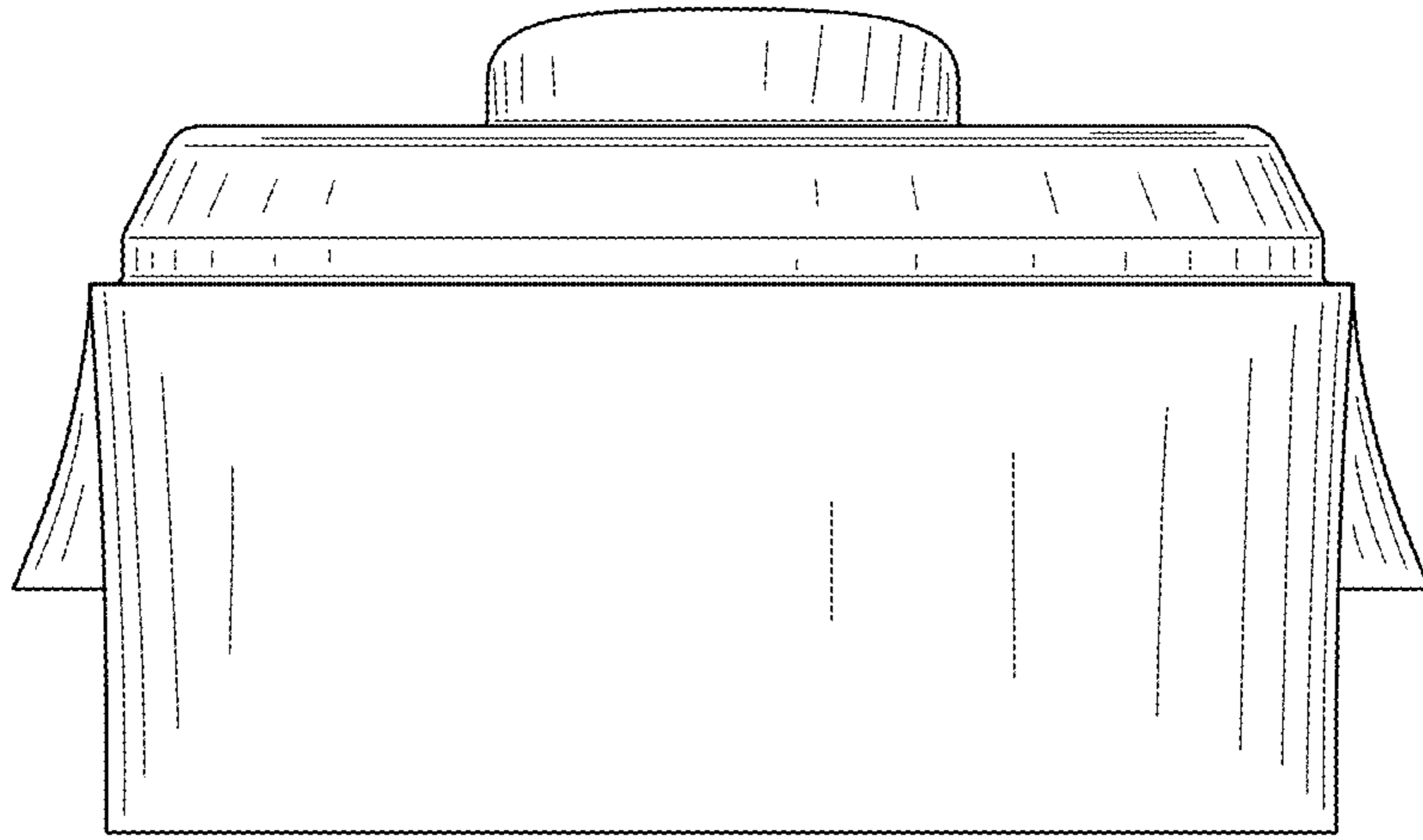


FIG. 5

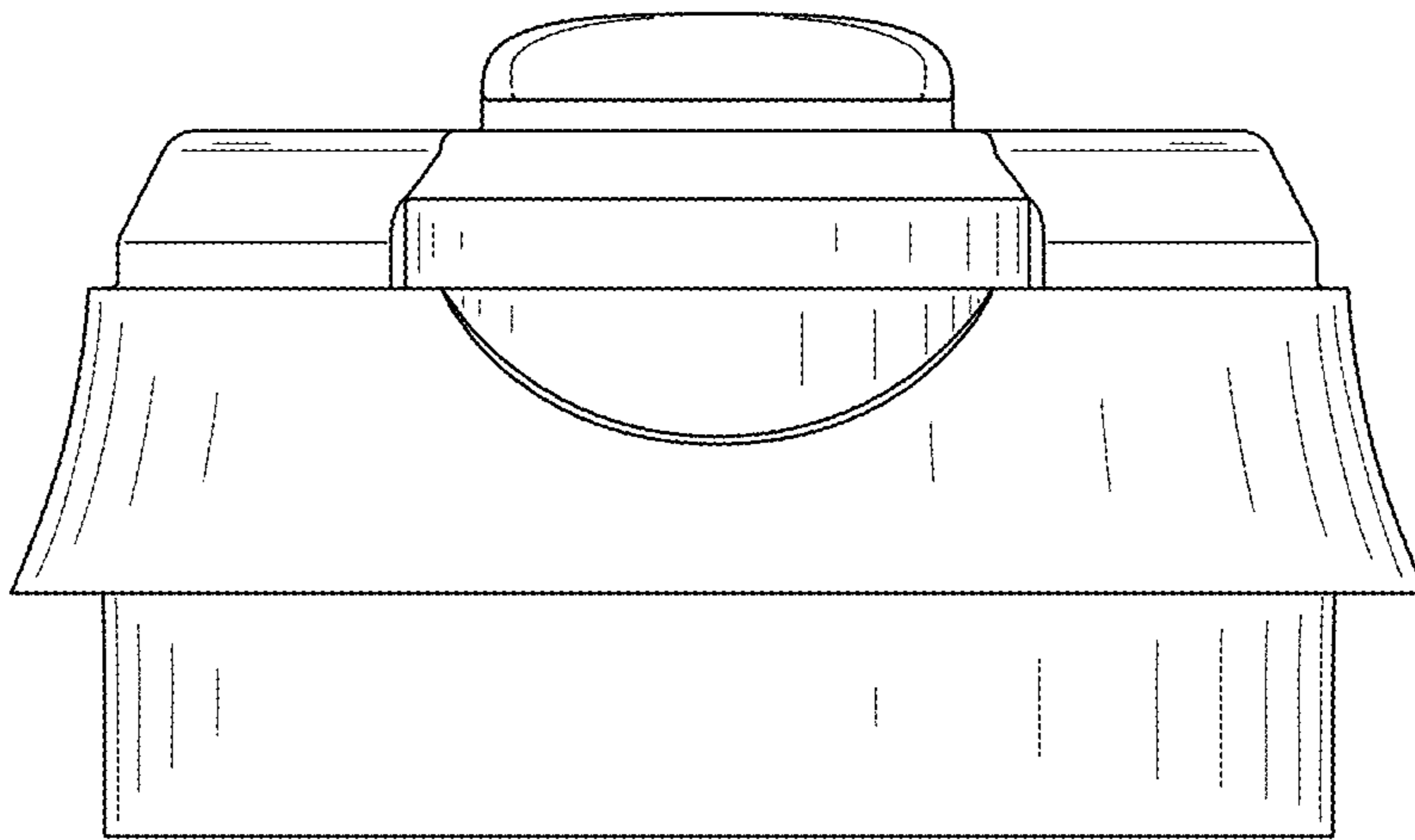


FIG. 6

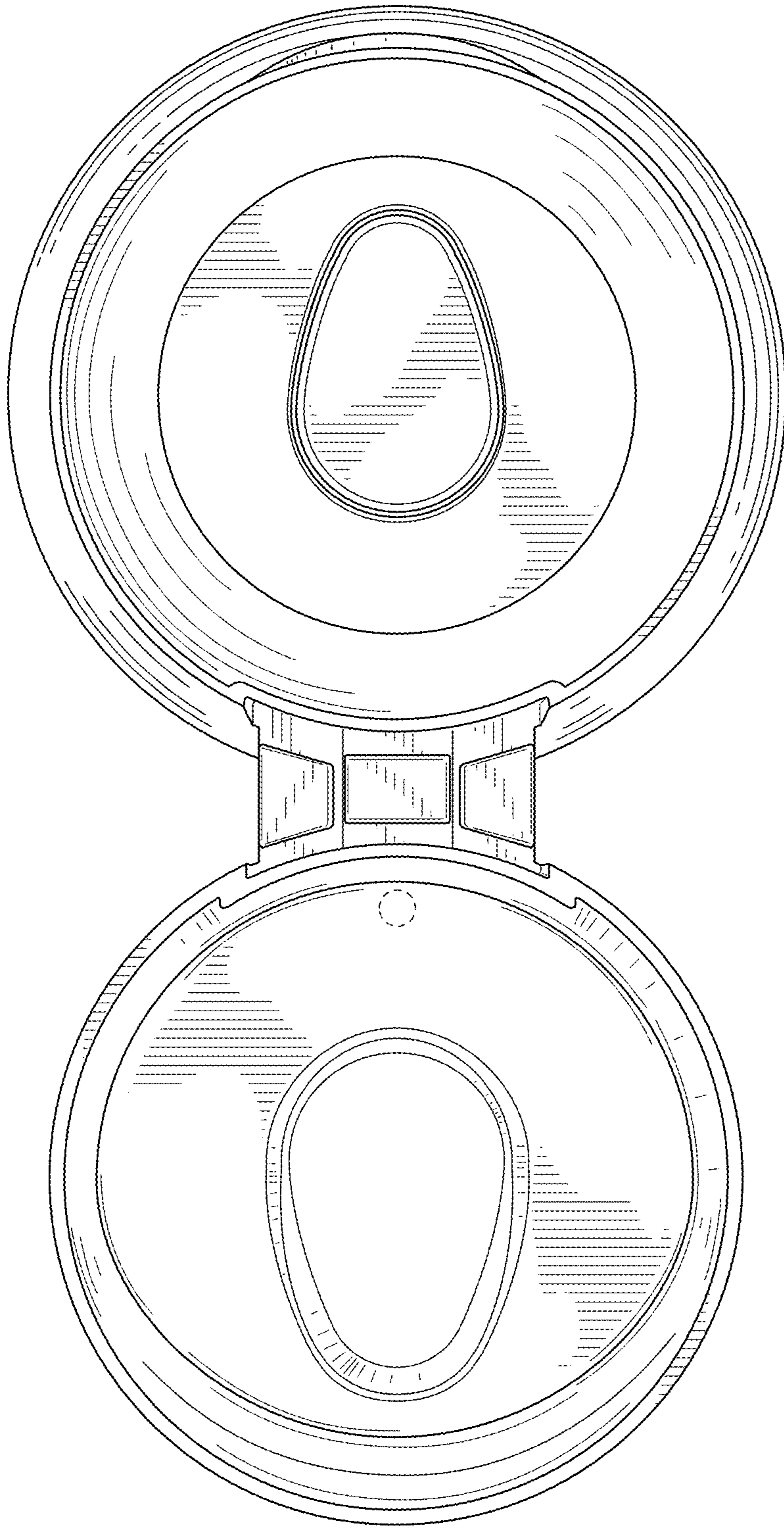


FIG. 7

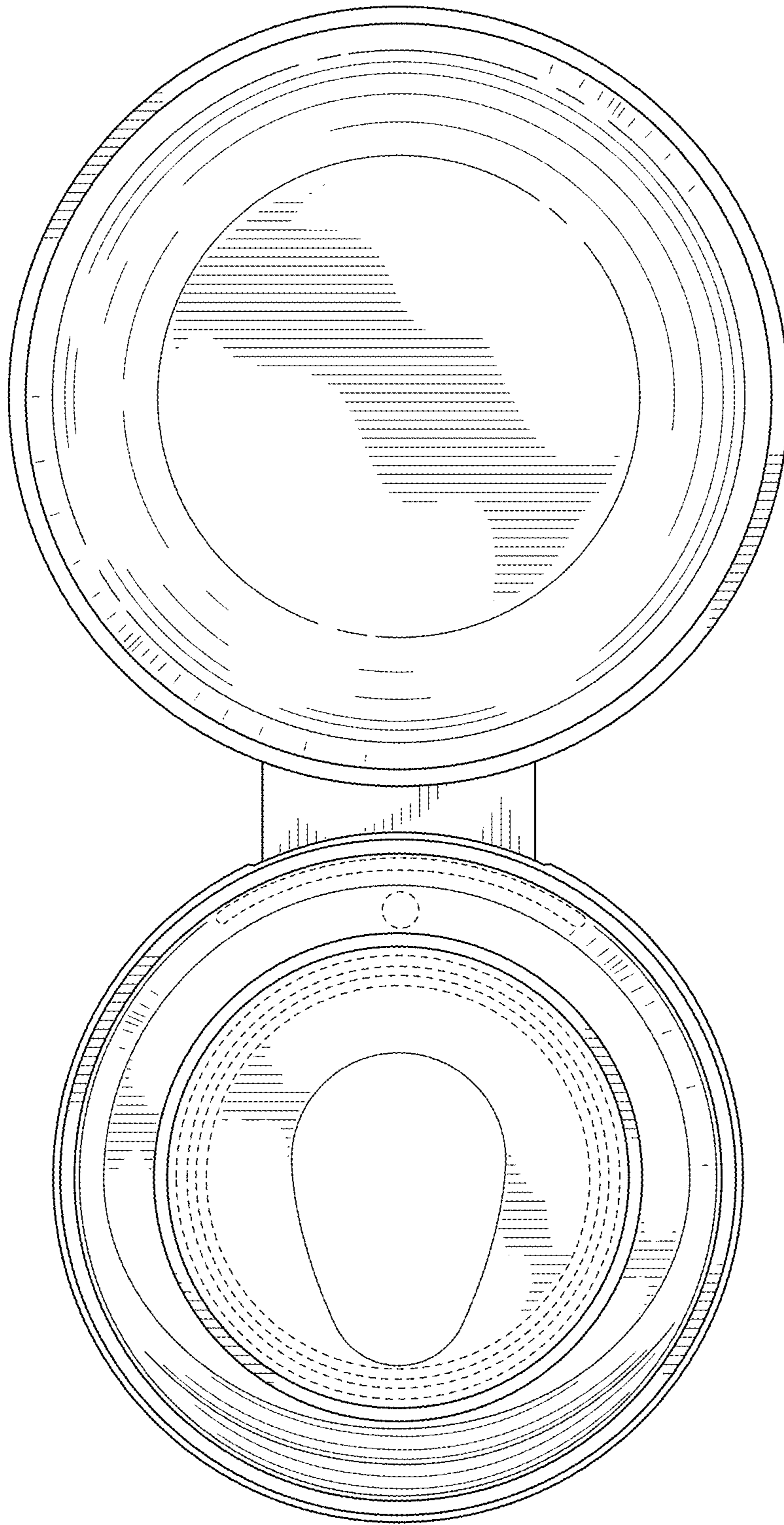


FIG. 8

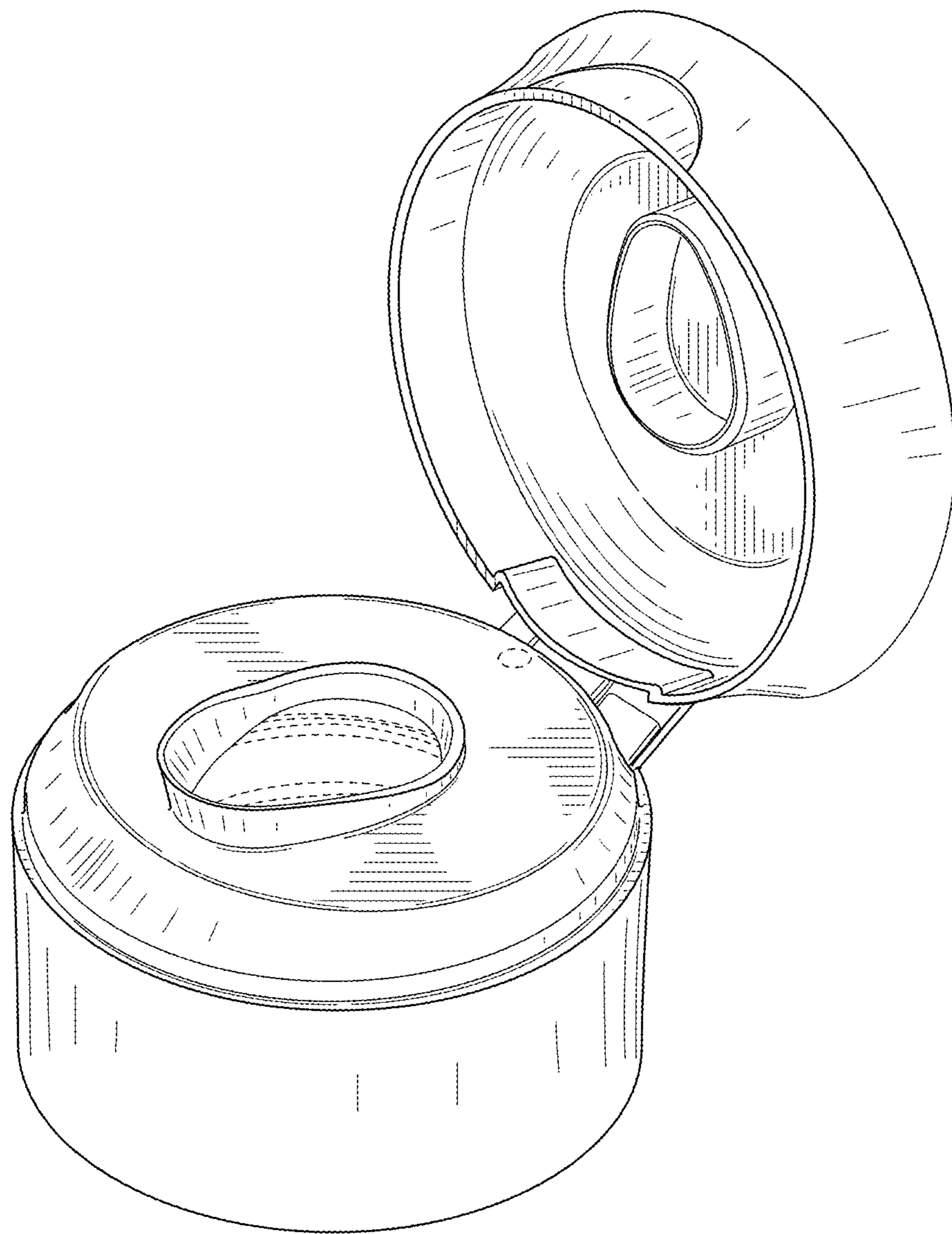


FIG. 9

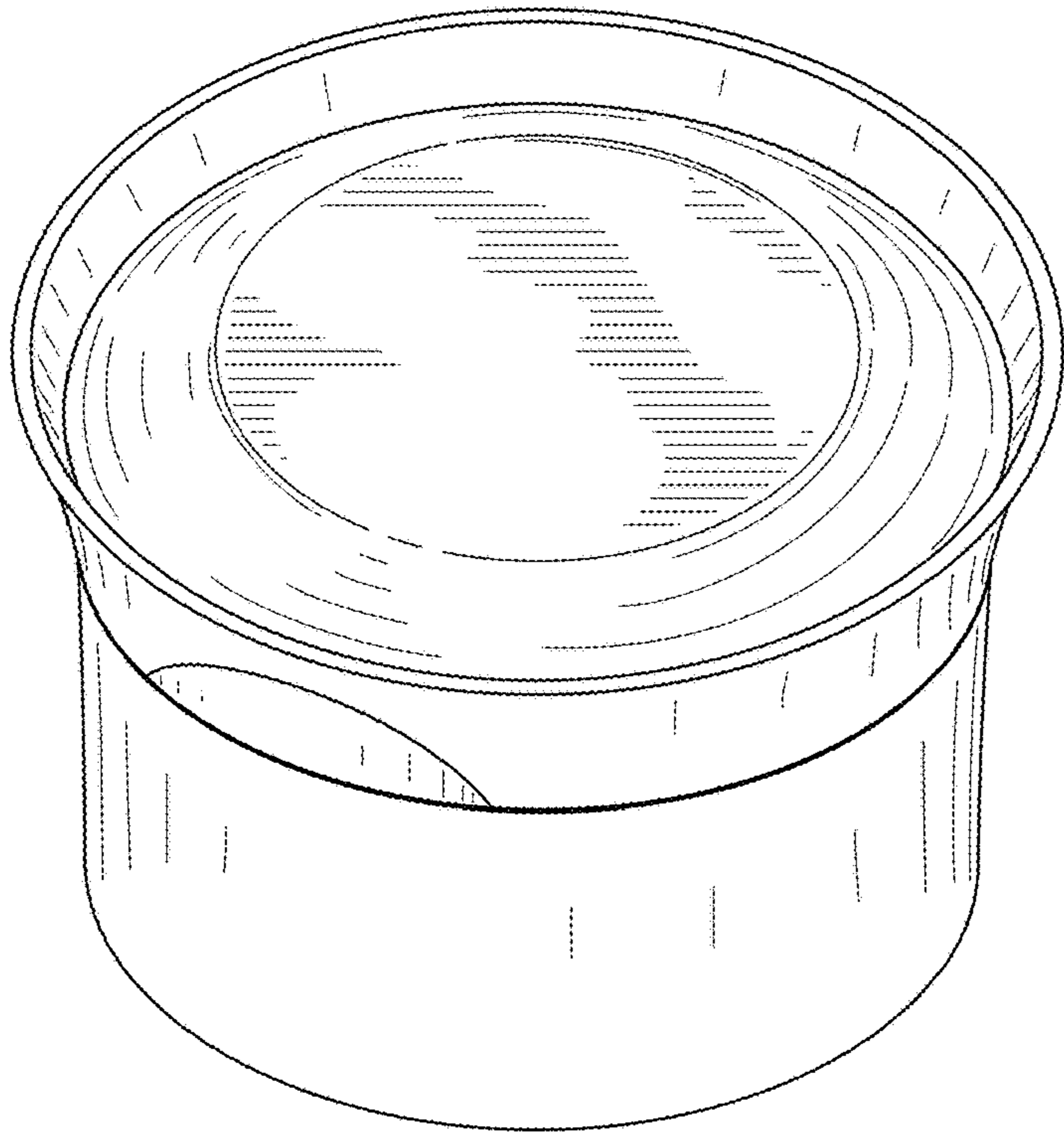


FIG. 10

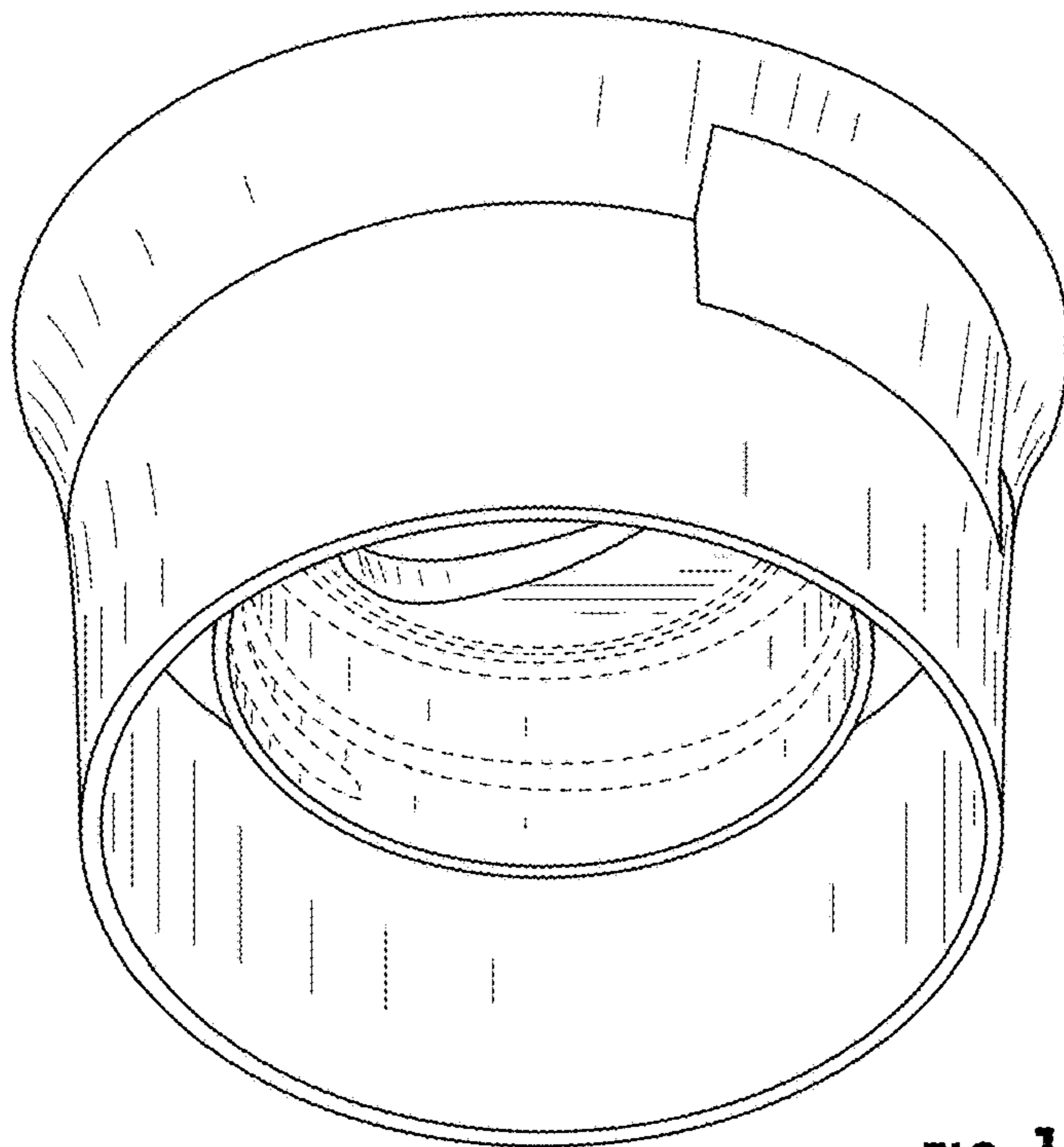


FIG. 11



FIG. 12

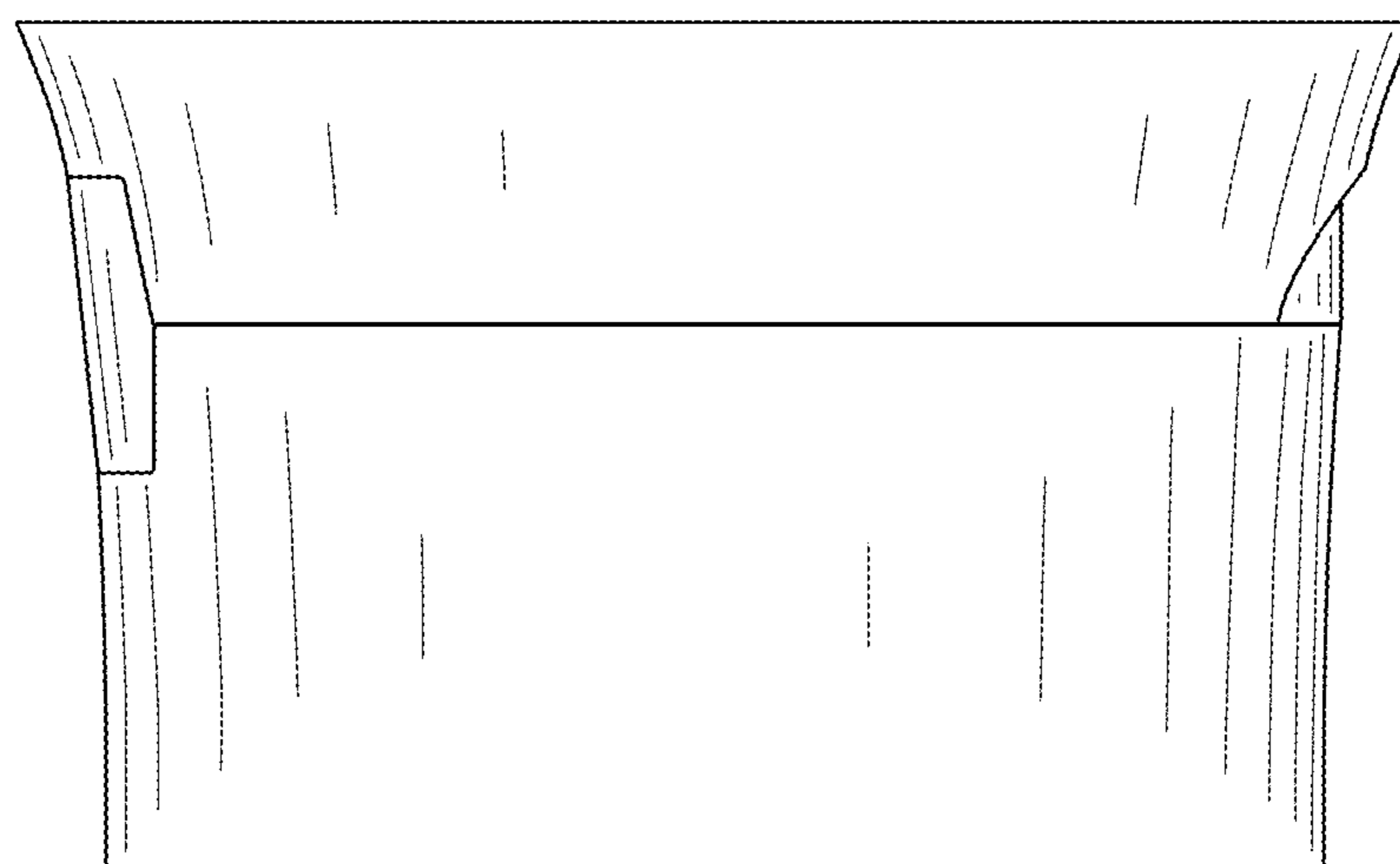


FIG. 13

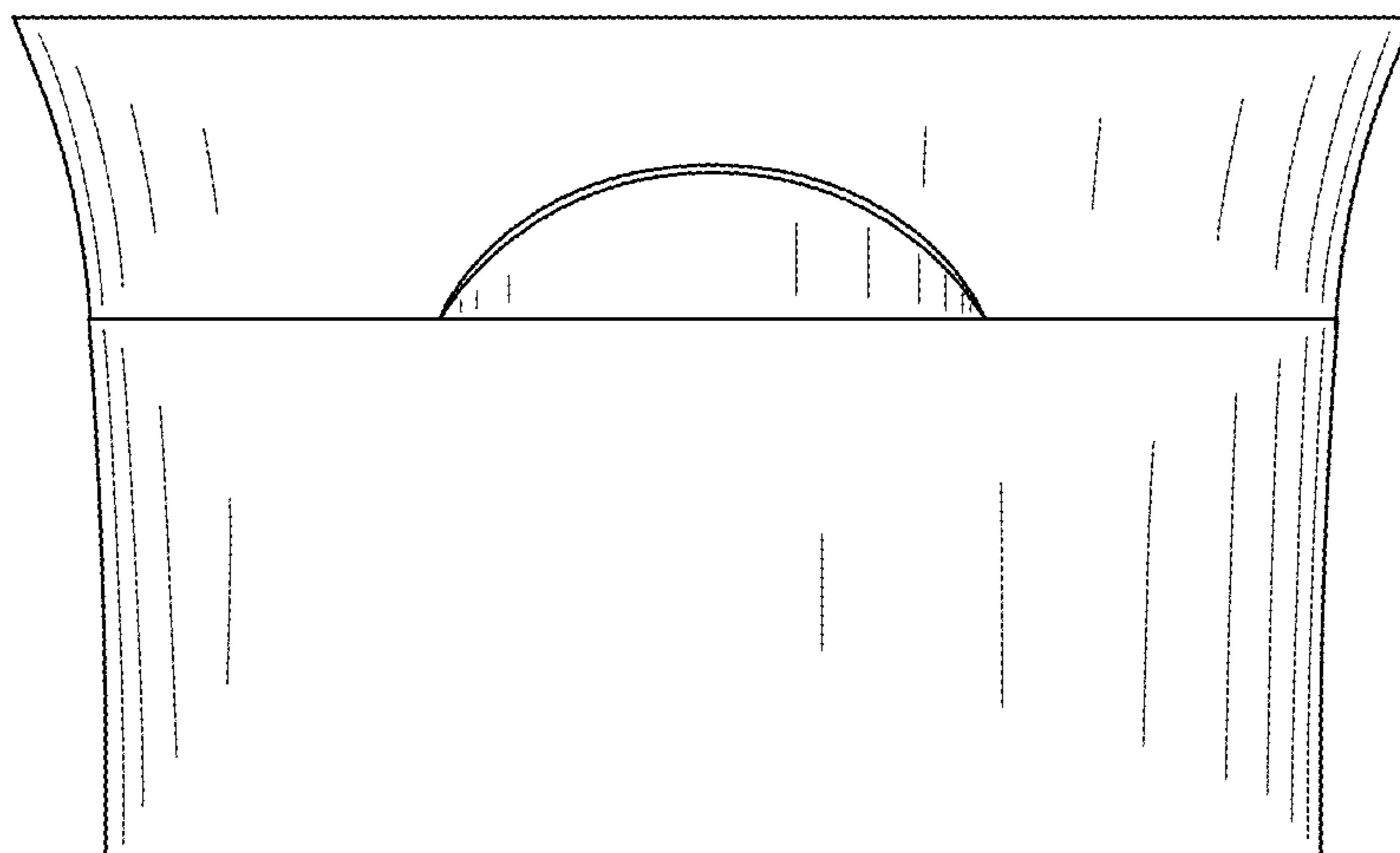


FIG. 14

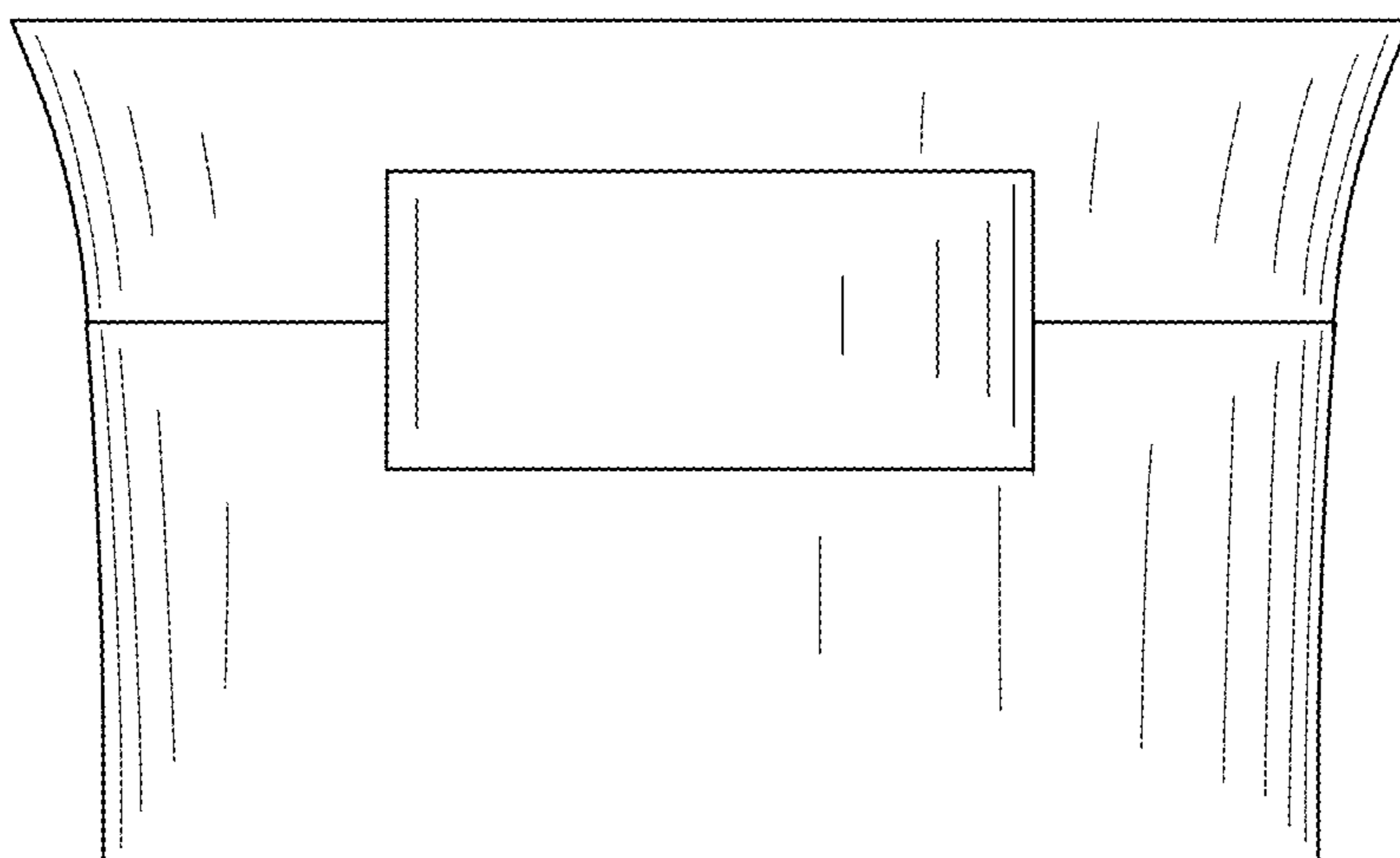


FIG. 15