



US00D847631S

(12) **United States Design Patent**
Villbrandt

(10) **Patent No.:** **US D847,631 S**

(45) **Date of Patent:** **** May 7, 2019**

(54) **CLOSING PLUG FOR A
CONTAINER-INSTALLED FLANGE**

(71) Applicant: **SV PACK**, Samois-sur-Seine (FR)

(72) Inventor: **Stephane Villbrandt**, Bois le Roi (FR)

(73) Assignee: **SV PACK**, Samois-sur-Seine (FR)

(**) Term: **15 Years**

(21) Appl. No.: **29/600,240**

(22) Filed: **Apr. 11, 2017**

(30) **Foreign Application Priority Data**

Jan. 24, 2017 (EM) 003701630-0001
Jan. 24, 2017 (EM) 003702083-0002

(51) **LOC (11) Cl.** **09-07**

(52) **U.S. Cl.**
USPC **D9/447**

(58) **Field of Classification Search**
USPC D3/201, 203.1, 203.2, 203.3; D7/300,
D7/312, 313, 387, 392, 392.1, 396.1,
D7/396.2, 397, 398; D9/434-436, 440,
D9/443, 447, 448, 452-456, 499, 708
CPC B65D 47/06; B65D 5/746; A61M 39/10
See application file for complete search history.

(56) **References Cited**

U.S. PATENT DOCUMENTS

D33,101 S * 8/1900 Corcoran D9/440
D340,412 S * 10/1993 Smith D9/435
D355,119 S * 2/1995 Zimmermann D9/440
D453,472 S * 2/2002 Kwong D9/447
D487,398 S * 3/2004 Bremner D9/434
D557,614 S * 12/2007 Murray D9/708
D560,122 S * 1/2008 Fuchs D9/708
D596,487 S * 7/2009 Batton D9/447
D619,906 S * 7/2010 Carignan D9/708

7,959,034 B2 * 6/2011 Faaborg B65D 41/0471
222/109
D708,946 S * 7/2014 Hutchison D9/447
8,784,353 B2 * 7/2014 Maierhofer A61M 1/367
604/4.01
D718,128 S * 11/2014 Greathouse D9/440
D720,217 S * 12/2014 Oates D7/398
D725,436 S * 3/2015 Miller D7/396.2
D727,147 S * 4/2015 Boes D9/448
D727,748 S * 4/2015 Murray D9/710
9,221,592 B2 * 12/2015 Murray B65D 75/5883
D769,129 S * 10/2016 Patterson D9/708

(Continued)

OTHER PUBLICATIONS

Your Best Digs. The Best Water Bottle by Brian Vu. Feb. 5, 2018 [earliest online date], [site visited Jun. 7, 2018]. Available from Internet, <URL:https://www.yourbestdigs.com/reviews/best-water-bottle/>. (Year: 2018).*

Primary Examiner — George D. Kirschbaum
Assistant Examiner — Darcey E Heflin
(74) *Attorney, Agent, or Firm* — Young & Thompson

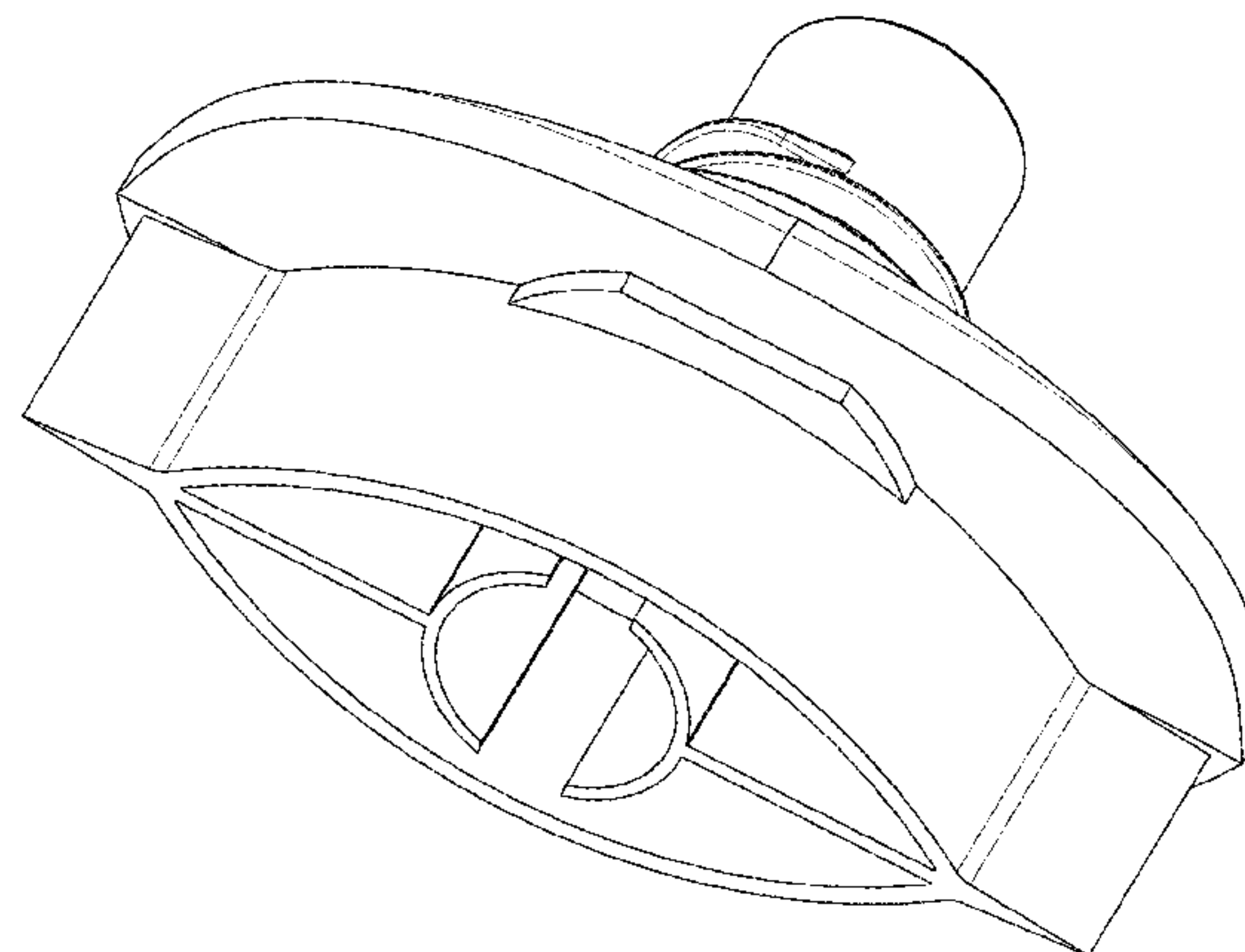
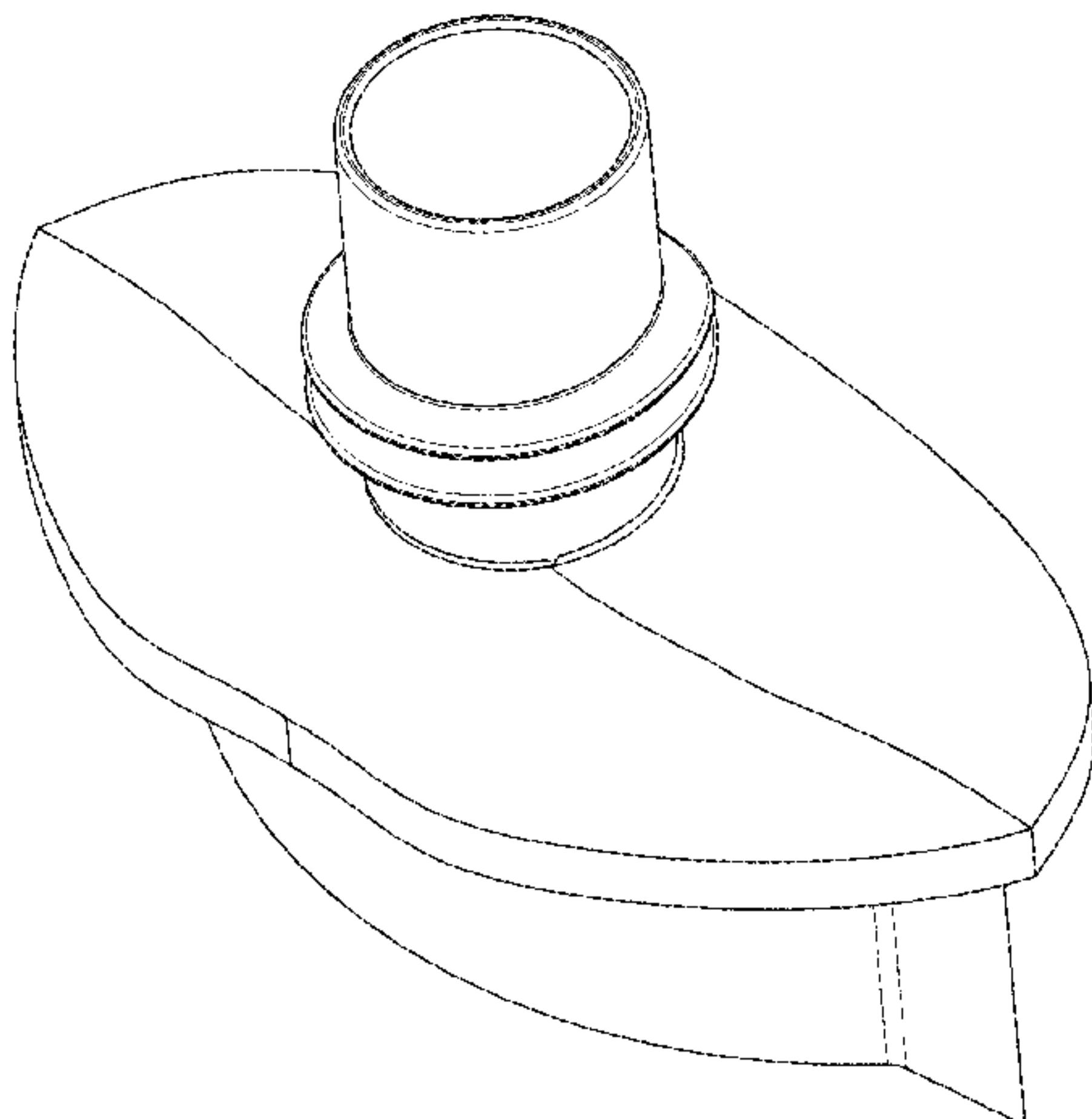
(57) **CLAIM**

The ornamental design for a closing plug for a container-installed flange, as shown and described.

DESCRIPTION

FIG. 1 is a top, rear, and right side perspective view of a closing plug for a container-installed flange showing the new design;
FIG. 2 is a top plan view thereof;
FIG. 3 is a bottom plan view thereof;
FIG. 4 is a front elevation view thereof;
FIG. 5 is a front, bottom perspective view thereof;
FIG. 6 is a rear, bottom perspective view thereof; and,
FIG. 7 is a side elevation view thereof, wherein the opposite side appears the same.

1 Claim, 7 Drawing Sheets



(56)

References Cited

U.S. PATENT DOCUMENTS

D772,713 S * 11/2016 Chapman D9/434
D814,315 S * 4/2018 Bell D9/708
D818,360 S * 5/2018 Oates, II D9/435
9,969,539 B2 * 5/2018 Genaw, Jr. B65D 47/06

* cited by examiner

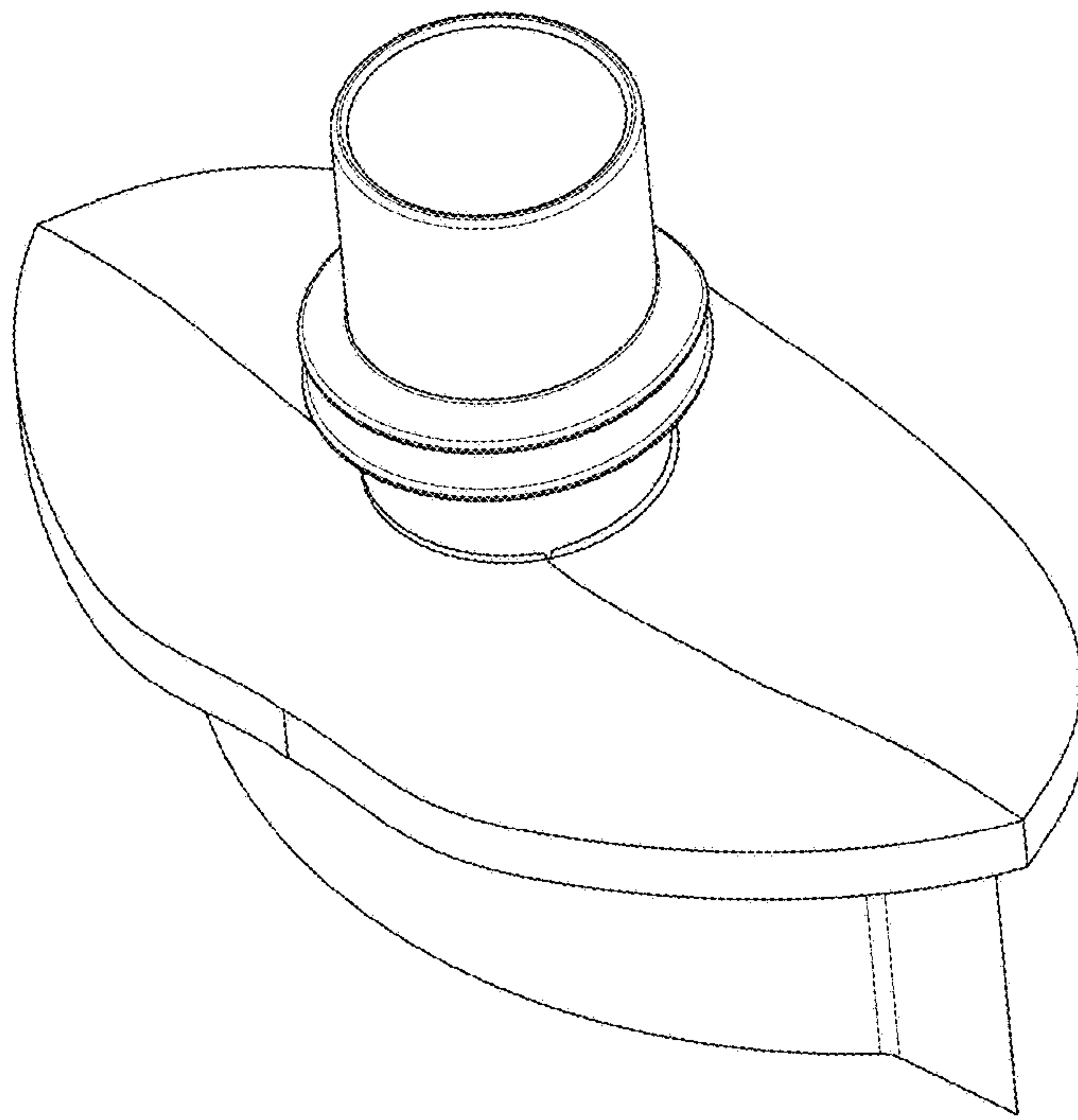


FIG. 1

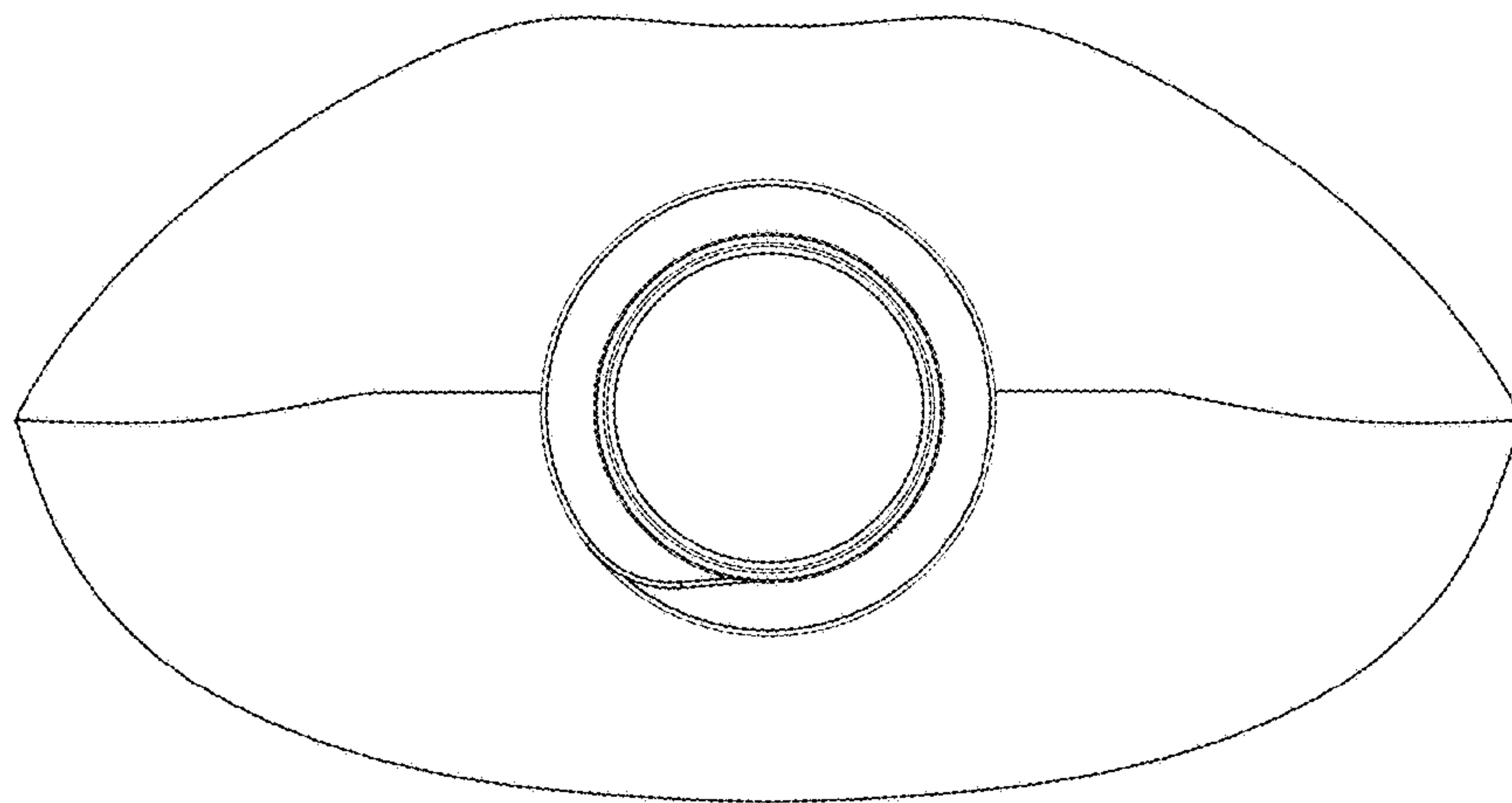


FIG. 2

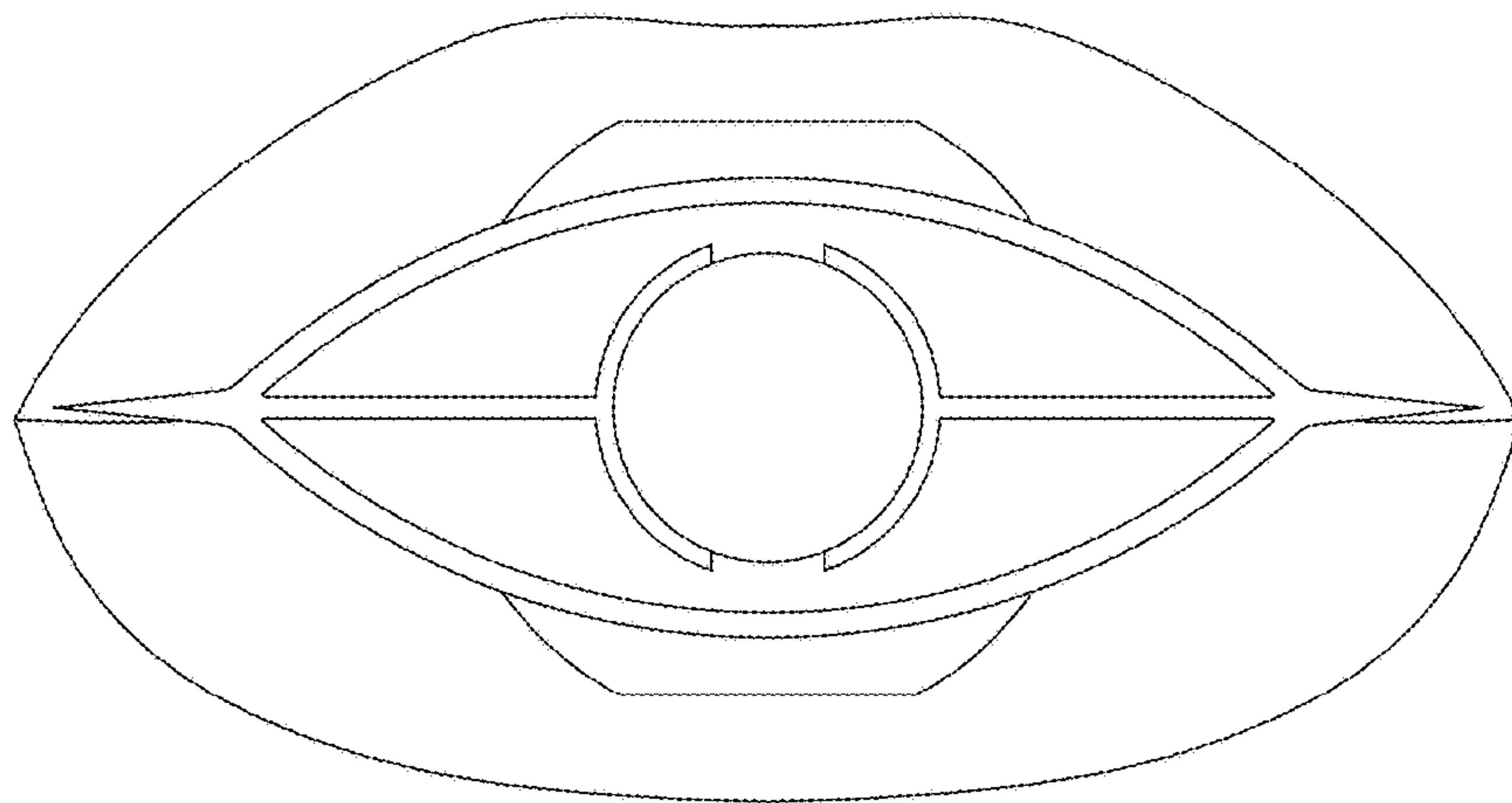


FIG. 3

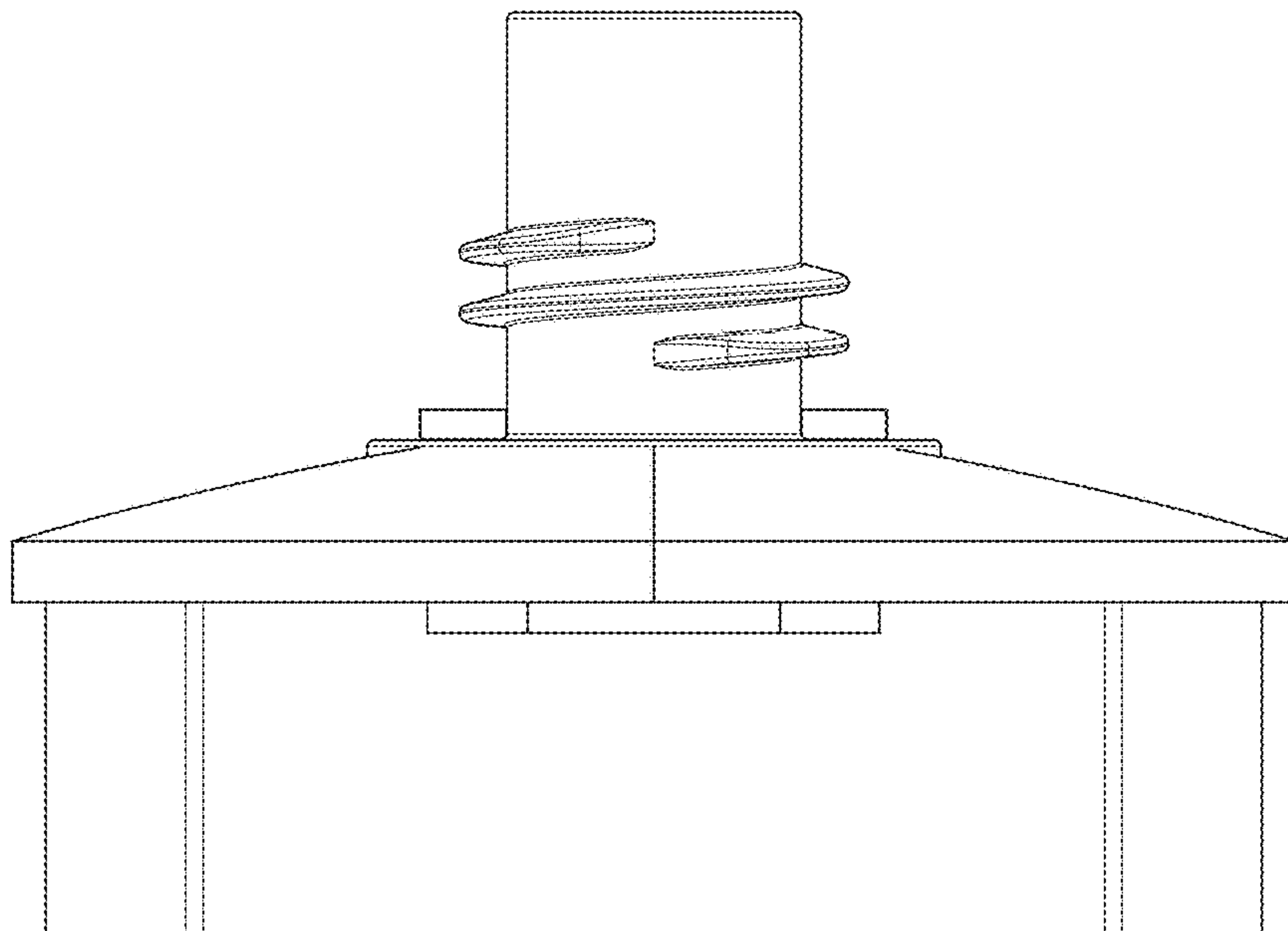


FIG. 4

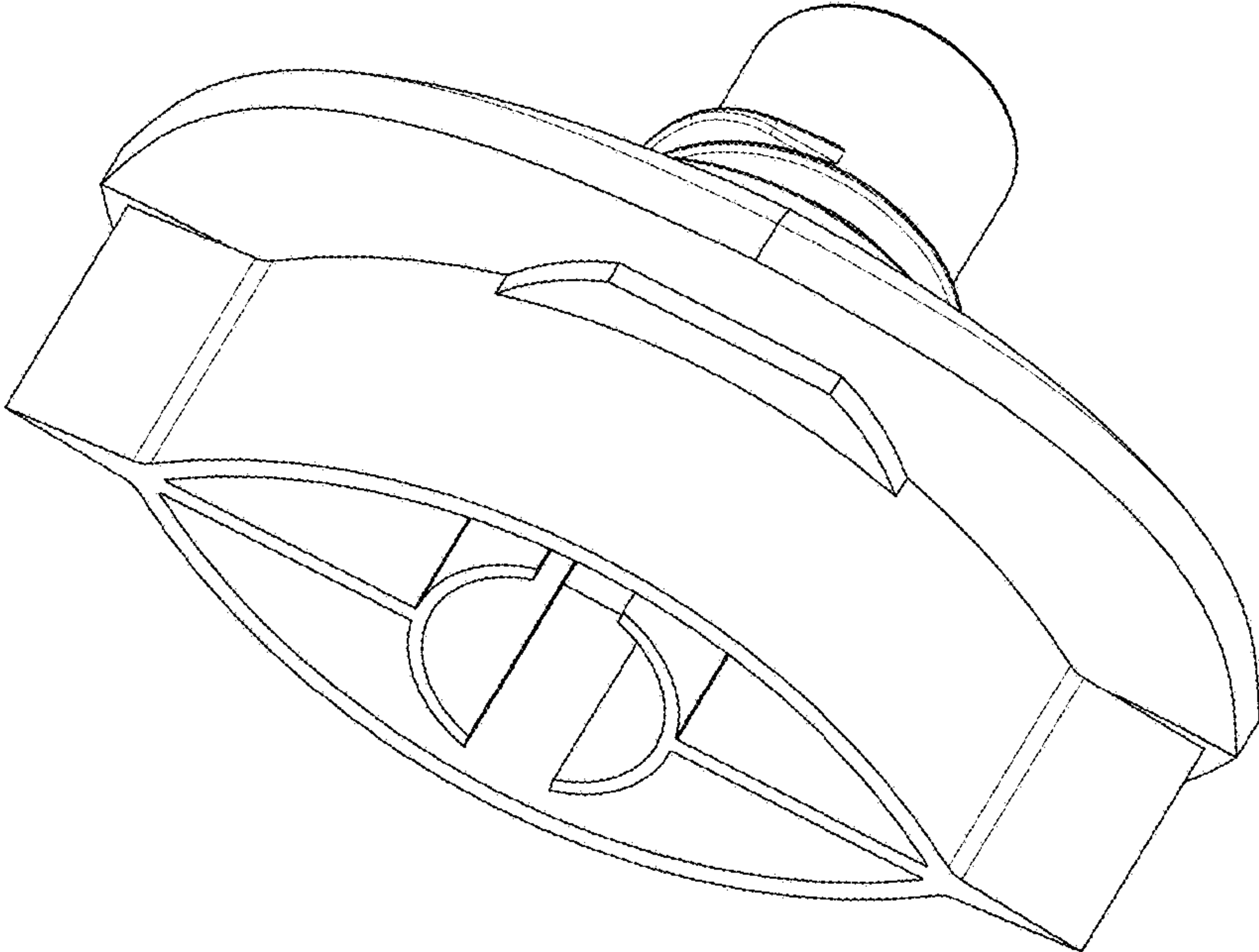


FIG. 5

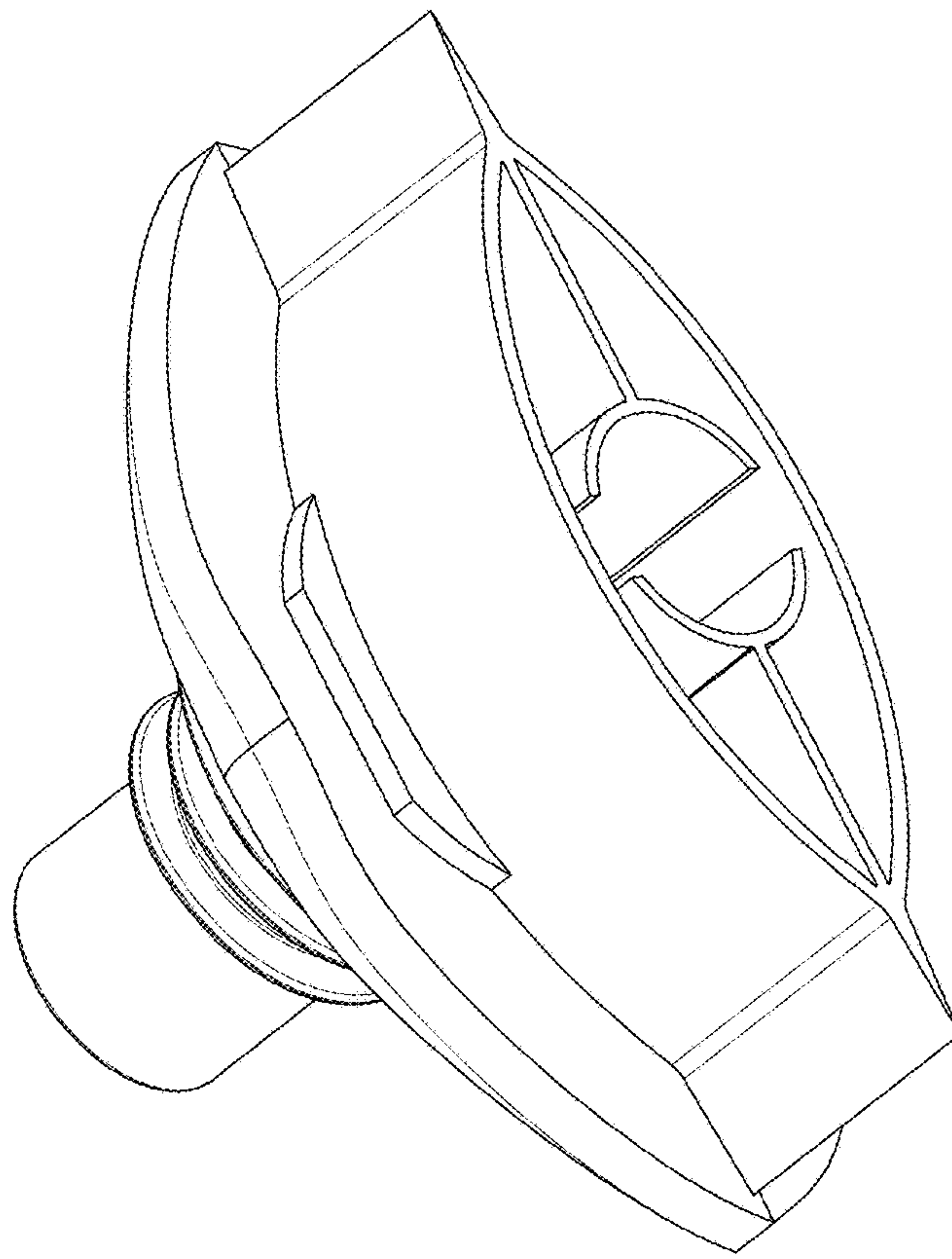


FIG. 6

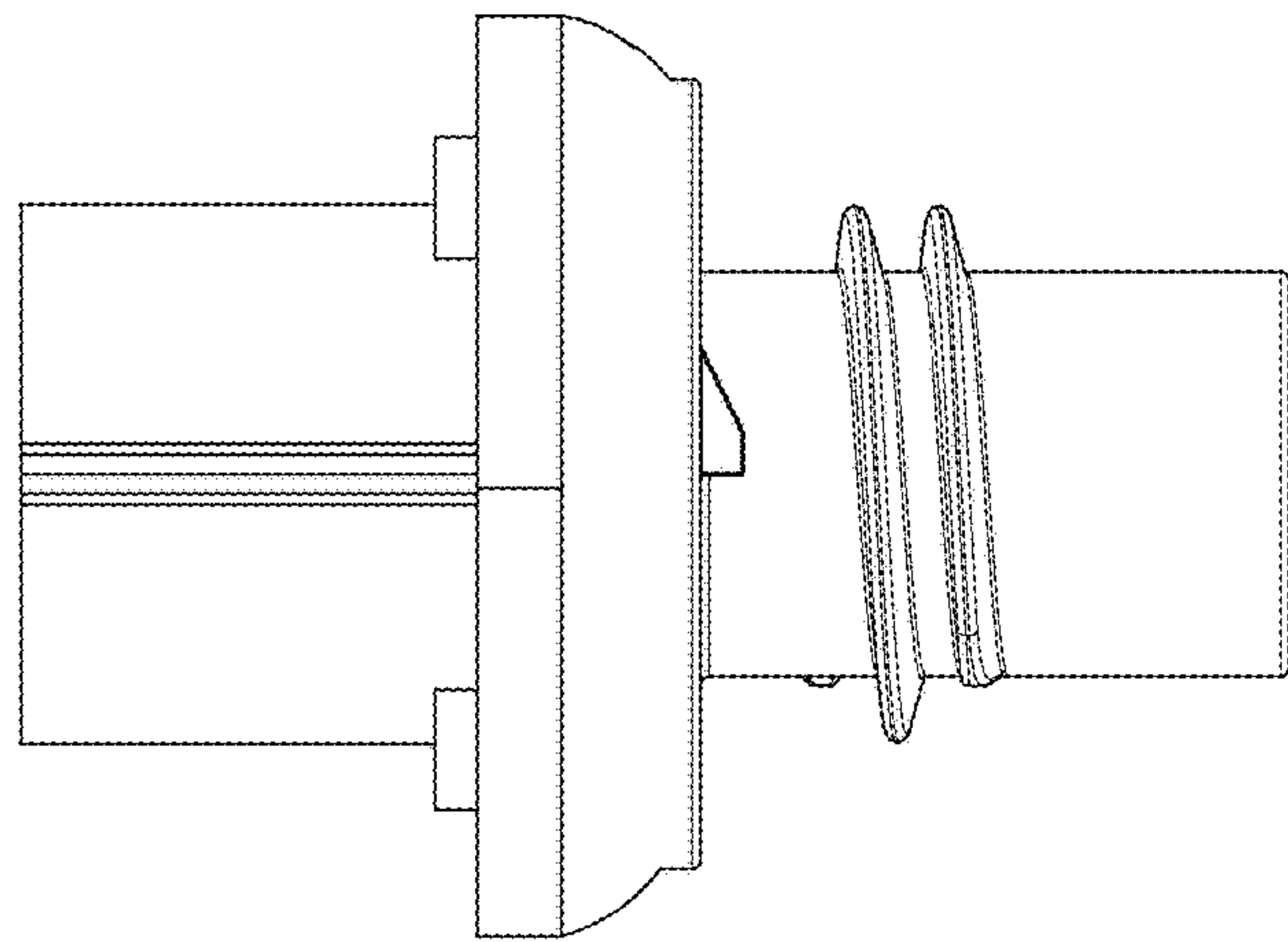


FIG. 7