



US00D847630S

(12) **United States Design Patent**
Cotan

(10) **Patent No.:** **US D847,630 S**

(45) **Date of Patent:** **** May 7, 2019**

- (54) **STOPPER**
- (71) Applicant: **True Fabrications, Inc.**, Seattle, WA (US)
- (72) Inventor: **Andre Jacob Cotan**, Seattle, WA (US)
- (73) Assignee: **TRUE FABRICATIONS, INC.**, Seattle, WA (US)

1,506,006 A * 8/1924 Kraft B65D 39/08
383/60
D127,603 S * 6/1941 Nickle D4/199
2,355,492 A * 8/1944 White B65D 39/12
215/360
D245,462 S * 8/1977 Hauf D4/129
D307,552 S * 5/1990 Pakzad D9/535
D413,262 S * 8/1999 Cardinaletti D9/439
6,179,138 B1 * 1/2001 Puleston B65D 39/16
215/226

(Continued)

(**) Term: **15 Years**

(21) Appl. No.: **29/636,736**

(22) Filed: **Feb. 10, 2018**

(51) **LOC (11) Cl.** **09-07**

(52) **U.S. Cl.**
USPC **D9/439**

(58) **Field of Classification Search**
USPC D9/414, 416, 425, 434, 435, 436, 438,
D9/439, 440, 442, 443, 446-450,
D9/452-457, 499, 503-505, 682, 685,
D9/686; D7/387, 391, 392, 392.1, 393,
D7/394, 396.1-396.4, 401.1, 503-505,
D7/509-511, 538, 900, 395; D3/201,
D3/202, 203.2, 318; D28/91, 91.1;
D32/35, 52; D4/138, 199
CPC .. A61J 1/00; A61J 1/1412; B65D 1/00; B65D
1/02; B65D 1/10; B65D 1/46; B65D
2585/56; B65D 2585/545; B65D 41/00;
B65D 41/38; B65D 41/56; B65D 41/62;
B65D 47/00; B65D 47/06; B65D 47/08;
B65D 2543/00046; B65D 2543/00092;
B65D 2543/00296; B65D 5/46; B65D
2251/00

See application file for complete search history.

(56) **References Cited**

U.S. PATENT DOCUMENTS

D9,683 S * 12/1876 Steele D9/439
D23,176 S * 4/1894 Tatum D9/439

OTHER PUBLICATIONS

Wayfair “Host Bottle Stopper” (online), earliest customer review May 5, 2018. Retrieved from Internet on Nov. 23, 2018, URL: <https://www.wayfair.com/kitchen-tabletop/pdp/host-bottle-stopper-hosd1078.html?piid=> (7 pages). (Year: 2018).*

Primary Examiner — Michael A. Pratt
Assistant Examiner — Wendy L Arminio
(74) *Attorney, Agent, or Firm* — Vicky Kaur Bajwa

(57) **CLAIM**

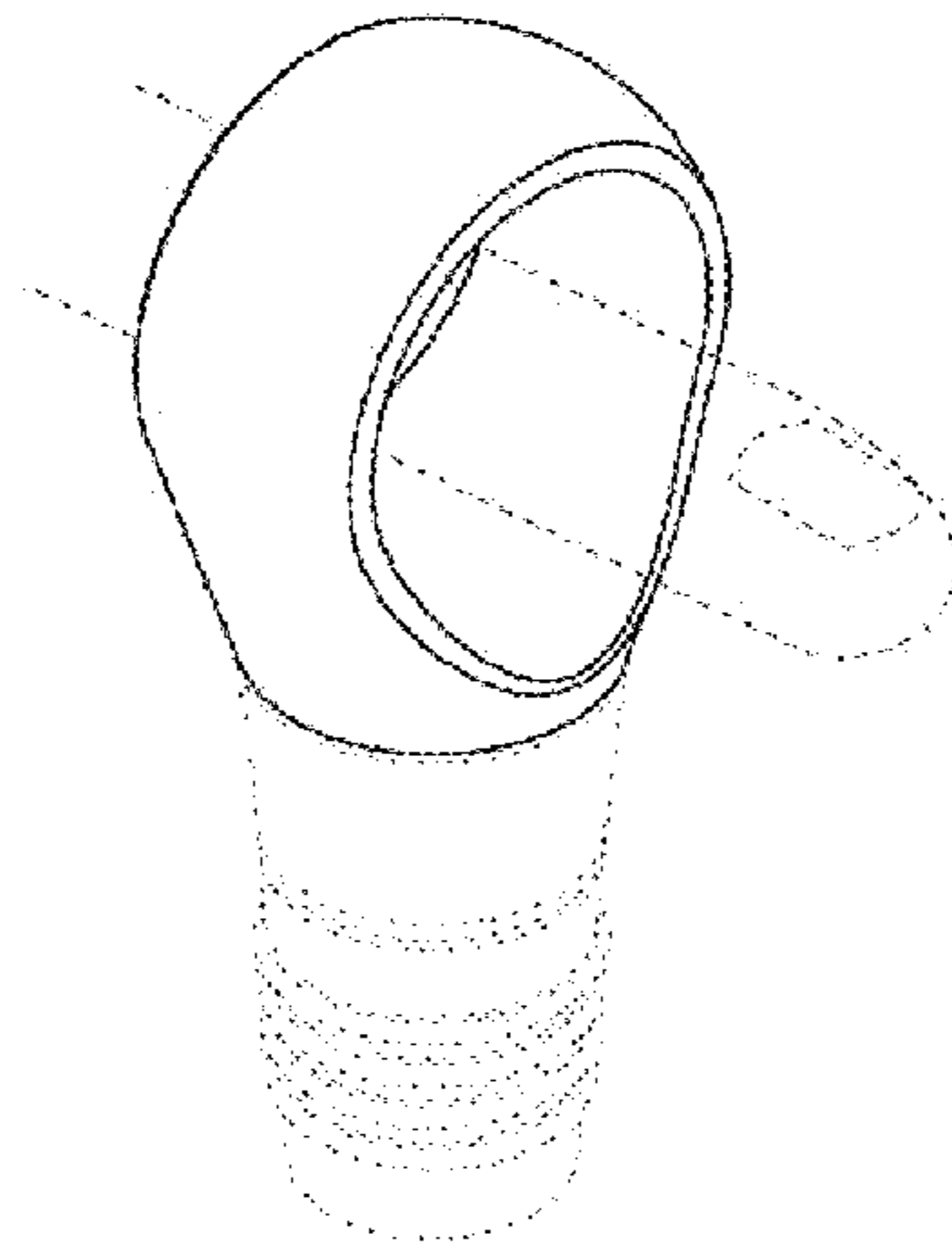
The ornamental design for a stopper, as shown and described.

DESCRIPTION

FIG. 1 is a top perspective view of a stopper showing my new design;
FIG. 2 is a front elevation view of the stopper of FIG. 1, the rear being a mirror image thereof;
FIG. 3 is a right side elevation view of the stopper of FIG. 1, the left side being a mirror image thereof;
FIG. 4 is a top view of the stopper of FIG. 1;
FIG. 5 is a bottom view of the stopper of FIG. 1; and,
FIG. 6 is a bottom perspective view of the stopper of FIG. 1.

The broken lines illustrating a human finger in FIG. 1 depict environment and form no part of the claimed design. All other broken lines depict portions of the stopper that form no part of the claimed design.

1 Claim, 3 Drawing Sheets



(56)

References Cited

U.S. PATENT DOCUMENTS

D438,354 S *	2/2001	Cann	D32/35
D456,668 S *	5/2002	Tse	D7/387
D458,134 S *	6/2002	Berish	D9/443
D536,968 S *	2/2007	Keller	D9/439
D601,804 S *	10/2009	Hwang	D4/103
D614,824 S *	4/2010	Heidel	D32/52
D621,258 S *	8/2010	Gullickson	D9/443
D631,666 S *	2/2011	Lim	D4/129
D656,840 S *	4/2012	Tacconi	D9/443
D665,621 S *	8/2012	Eyal	D7/392.1
D705,544 S *	5/2014	Masalin	D4/129
D735,578 S *	8/2015	Mazurkiewicz	D9/443
D737,639 S *	9/2015	Masalin	D8/107
D760,081 S *	6/2016	Berge	D9/447
D786,671 S *	5/2017	Khetarpaul	D7/394
D803,053 S *	11/2017	Thwaites	D9/443
D804,304 S *	12/2017	Pearson	D9/443

* cited by examiner

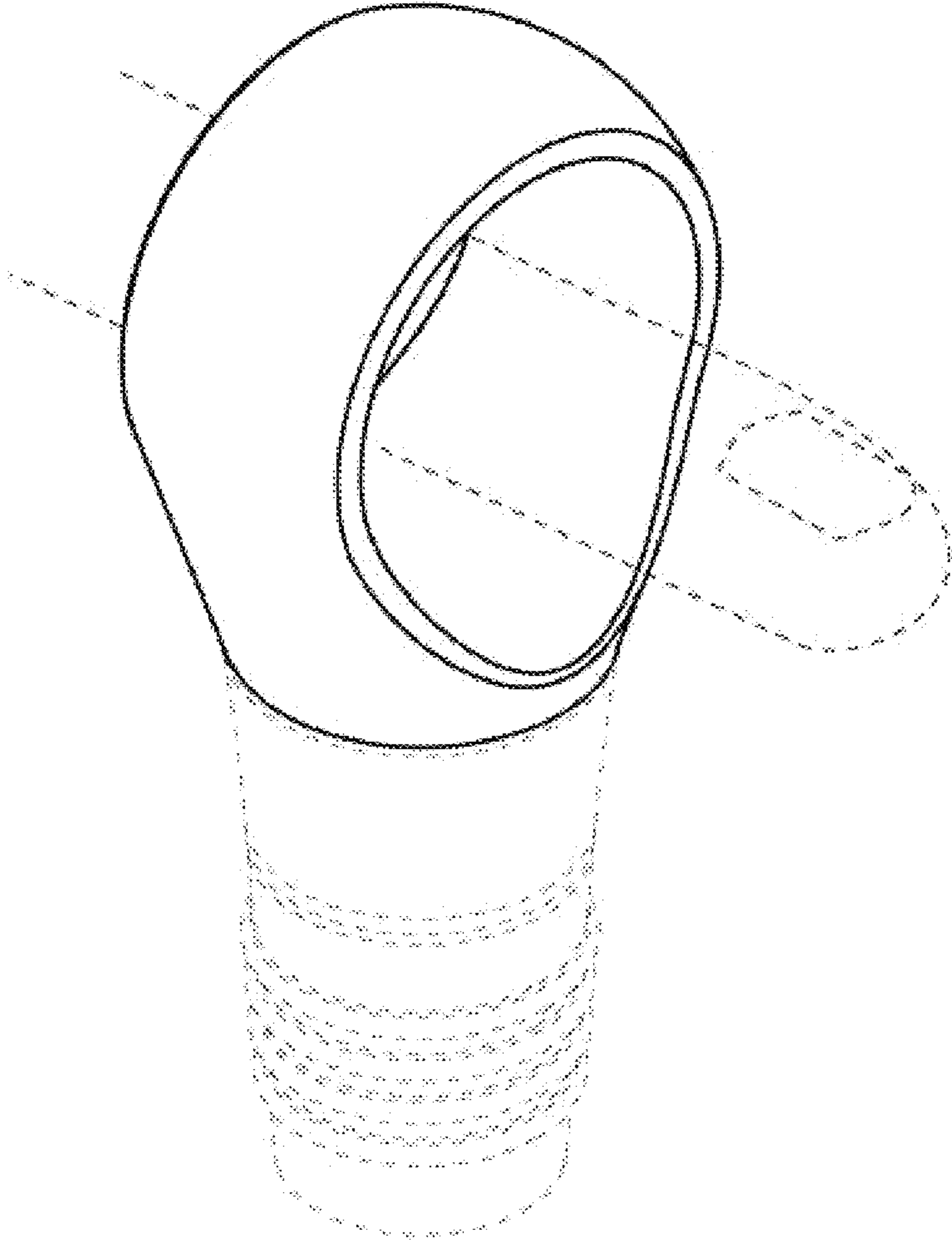


FIG. 1

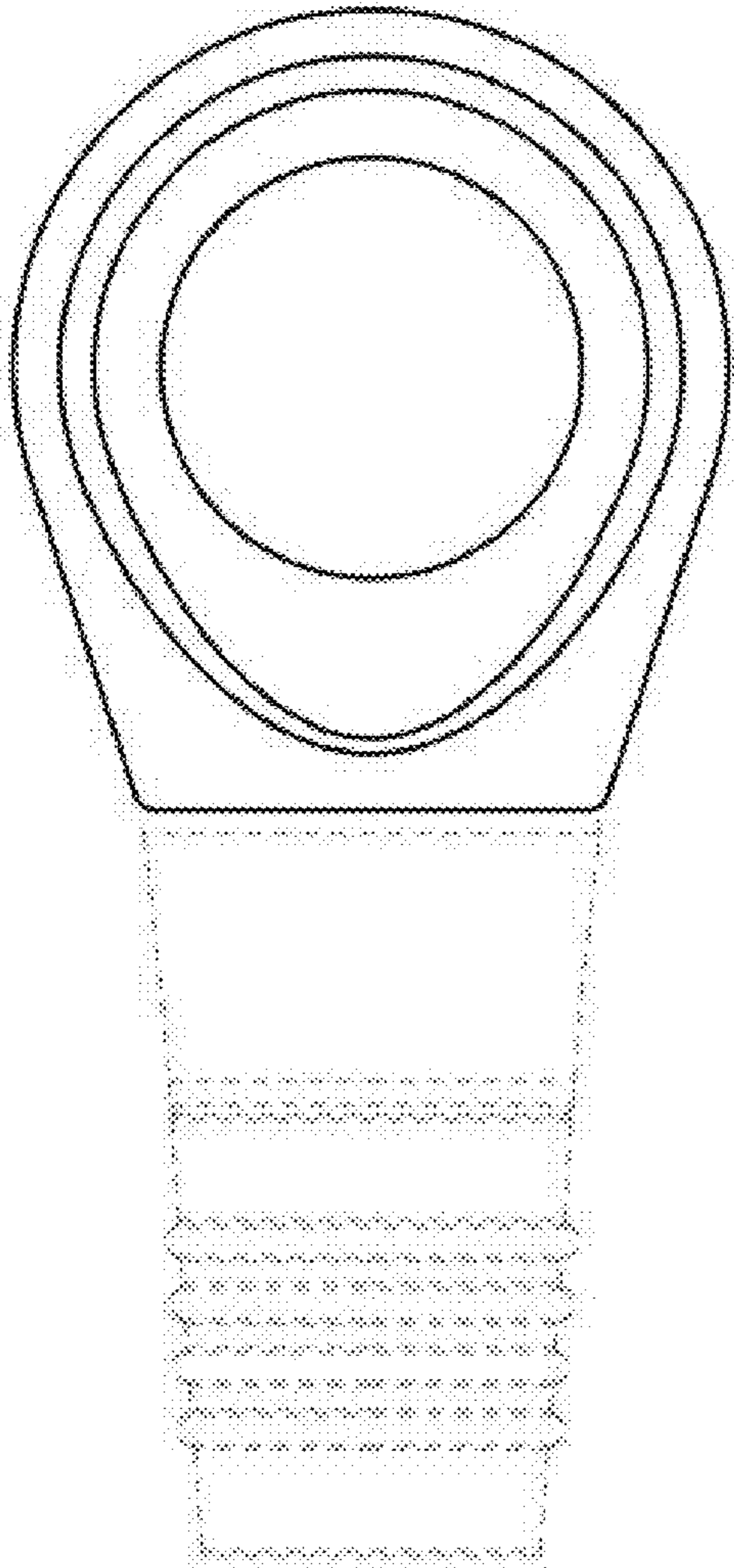


FIG. 2

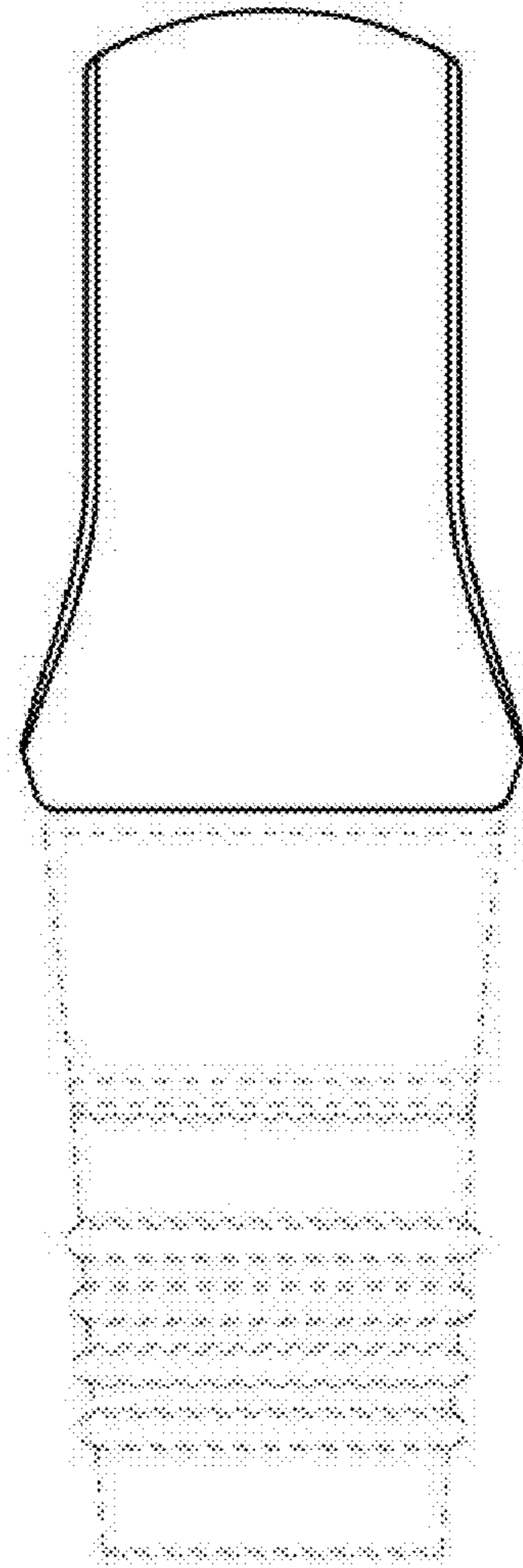


FIG. 3

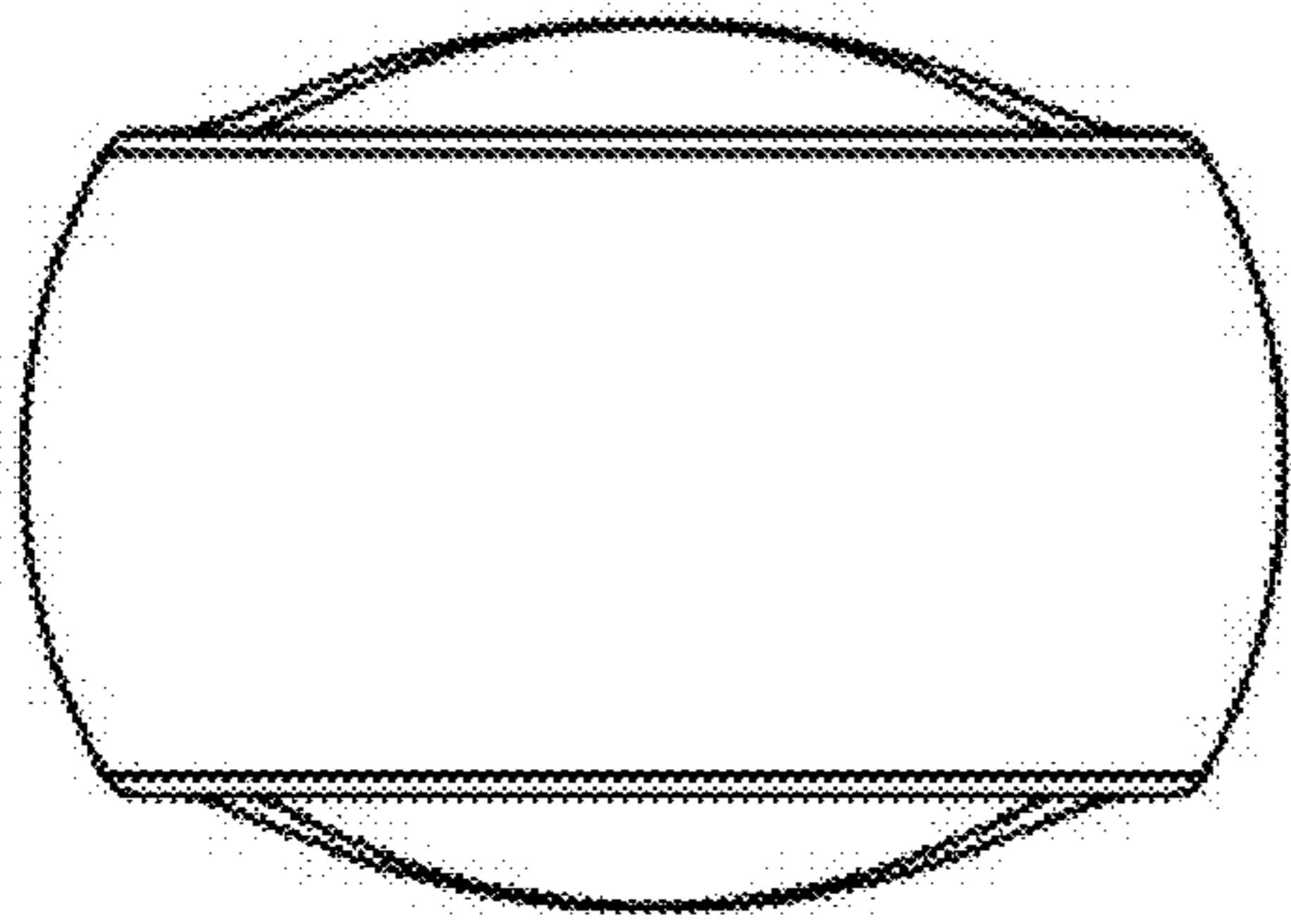


FIG. 4

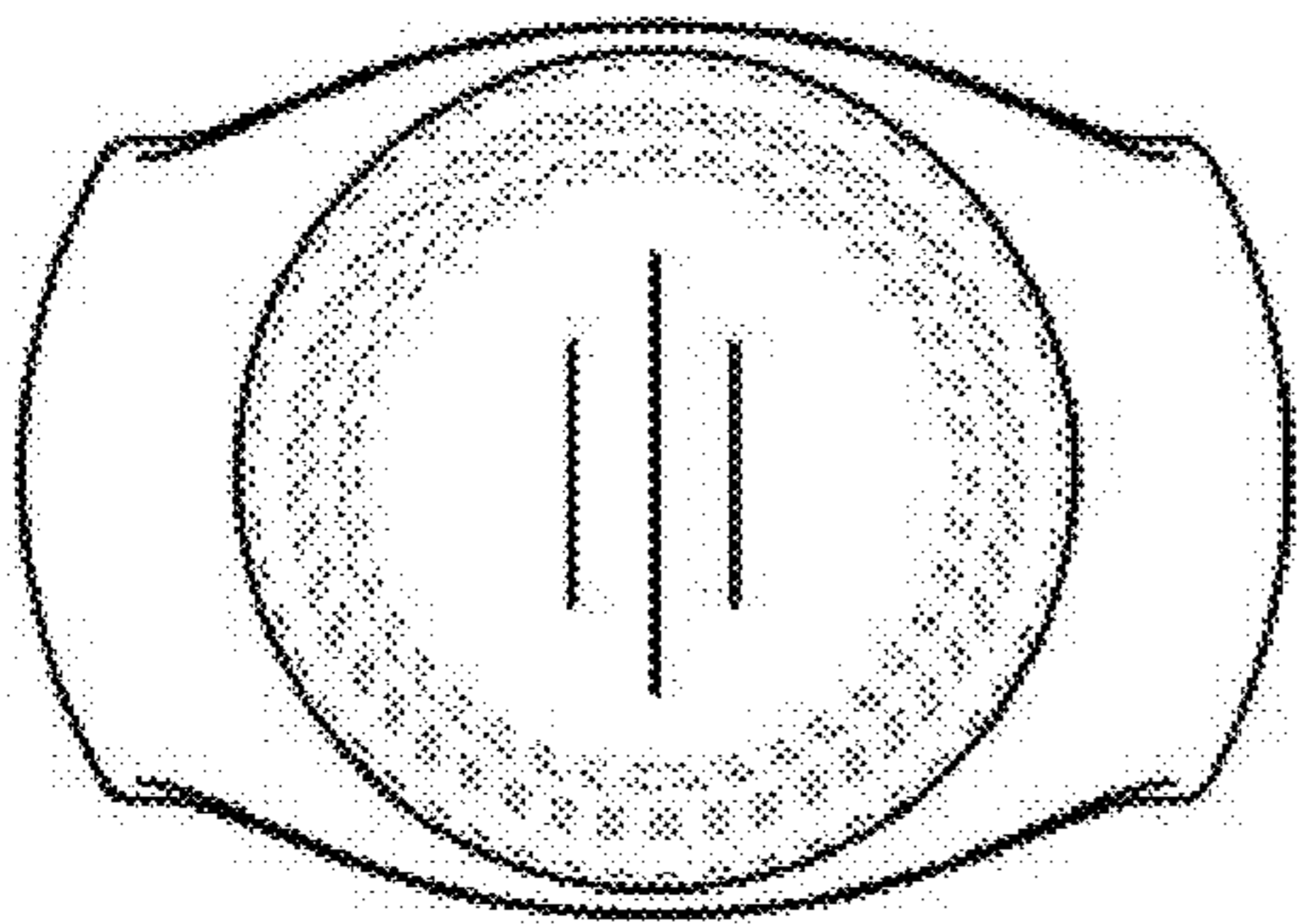


FIG. 5

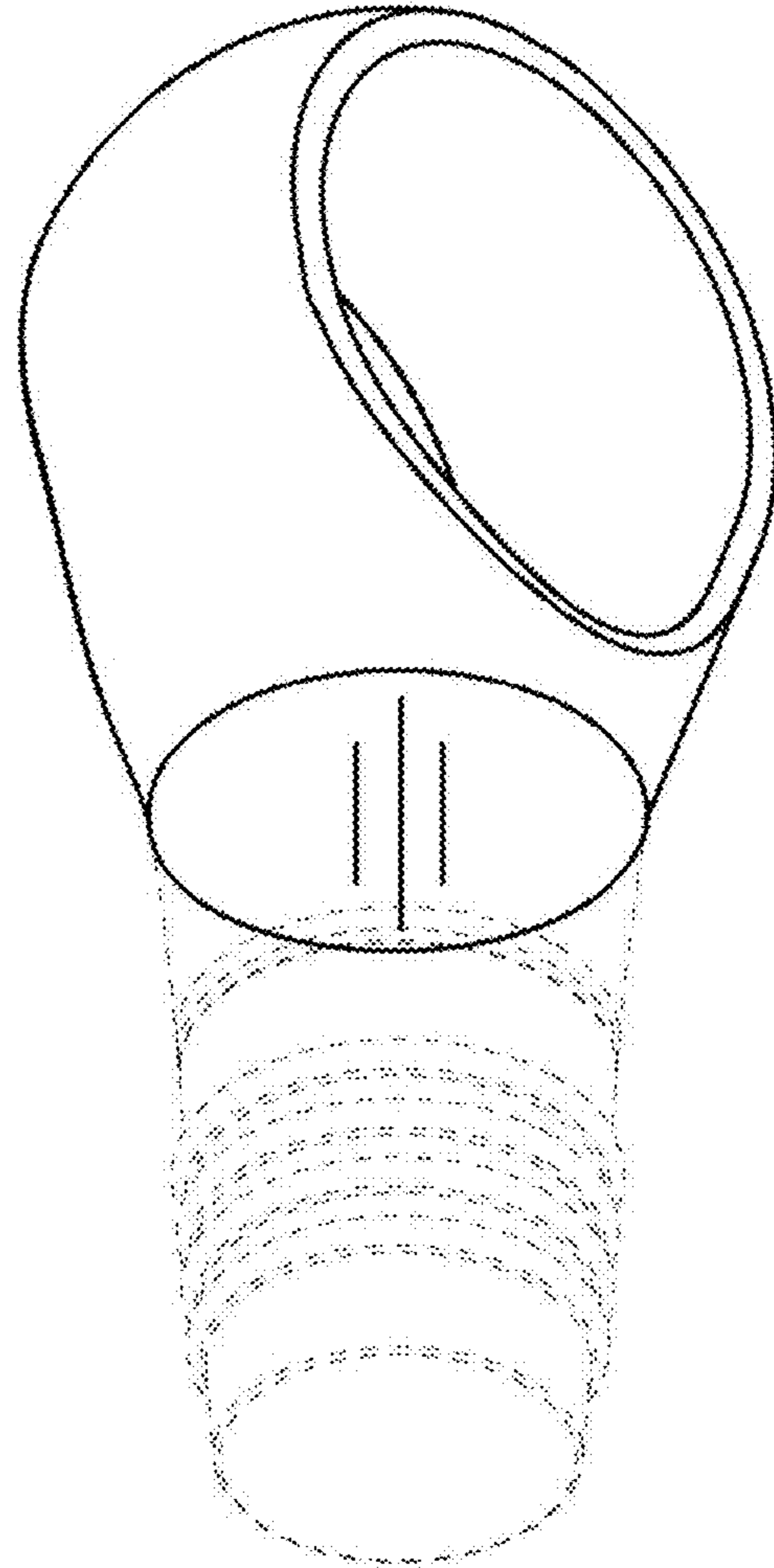


FIG. 6