



US00D847629S

(12) **United States Design Patent** (10) **Patent No.:** **US D847,629 S**
Bergeron et al. (45) **Date of Patent:** **** May 7, 2019**

(54) **EGG CARTON HAVING TAMPER EVIDENT CLOSURE**

(71) Applicant: **Tekni-Plex, Inc.**, Wayne, PA (US)
 (72) Inventors: **Mark A. Bergeron**, Monroe, GA (US);
Babu Kuruvilla, Griffin, GA (US);
Roger Lichtle, Decatur, IN (US); **Phil Laughlin**, Fort Wayne, IN (US)

(73) Assignee: **Tekni-Plex, Inc.**, Wayne, PA (US)

(**) Term: **15 Years**

(21) Appl. No.: **29/598,534**

(22) Filed: **Mar. 27, 2017**

(51) **LOC (11) Cl.** **09-07**

(52) **U.S. Cl.**
USPC **D9/435**

(58) **Field of Classification Search**
 USPC D3/201; D7/396.1, 550.1, 553.1, 553.2,
 D7/553.3, 554.4, 601, 602, 629;
 D9/414-416, 418-421, 423-426,
 D9/428-436, 455-457, 499, 443, 449,
 D9/611, 737, 756, 757; D8/367, 368,
 D8/394, 396-398
 CPC B65D 43/16; B65D 43/162; B65D 75/24;
 B65D 85/32; B65D 2563/10
 See application file for complete search history.

(56) **References Cited**

U.S. PATENT DOCUMENTS

243,336 A * 6/1881 Williams B65D 43/162
 220/315
 D30,403 S * 3/1899 Sherwood D8/395
 2,807,431 A * 9/1957 McHale B44D 3/123
 24/535
 3,090,539 A * 5/1963 Dorofachuk B65D 85/32
 206/419
 D222,828 S * 1/1972 Giraudet 206/521.1

D306,138 S 2/1990 Congleton et al.
 D308,822 S 6/1990 Congleton
 5,242,269 A * 9/1993 Chang F04D 25/088
 248/343
 D342,011 S * 12/1993 Maguire D8/349
 D343,112 S * 1/1994 Corbin D8/367
 5,494,164 A 2/1996 Ramirez
 D399,486 S * 10/1998 Deans D13/120
 D401,211 S * 11/1998 Simpson D12/223

(Continued)

OTHER PUBLICATIONS

Home Fixated. Blaklader Bantam Pant Review—Get Euro and Ditch the Tool Belt by Marc Lyman. Aug. 17, 2011 [earliest online date], [site visited Mar. 8, 2018]. Available from Internet, <URL:https://homefixated.com/blaklader-bantam-pant-review/>. (Year: 2011).*

(Continued)

Primary Examiner — George D. Kirschbaum
Assistant Examiner — Darcey E Heflin
 (74) *Attorney, Agent, or Firm* — Polsinelli PC

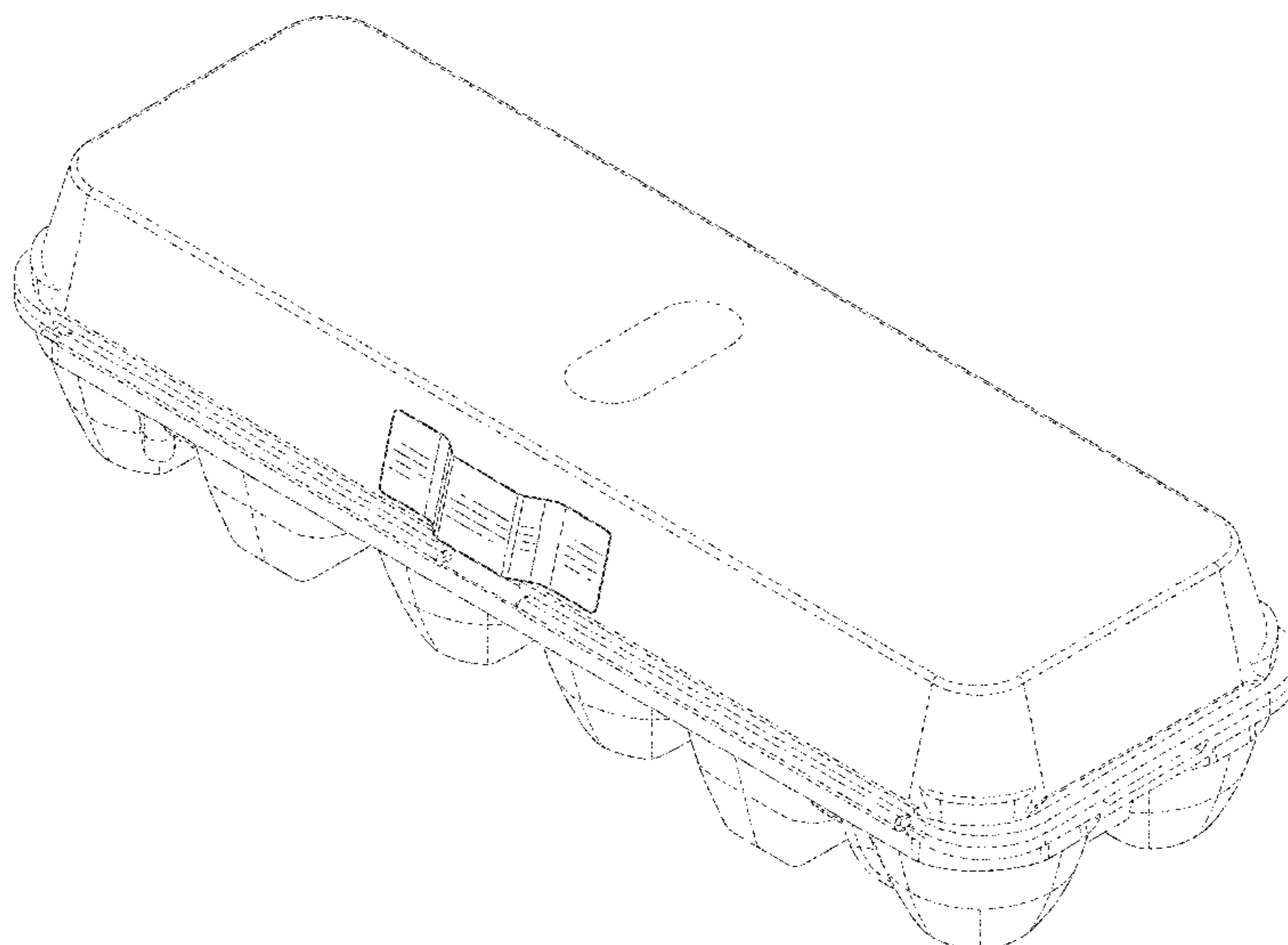
(57) **CLAIM**

The ornamental design for an egg carton having tamper evident closure, as shown and described.

DESCRIPTION

FIG. 1 is a perspective view of an egg carton having tamper evident closure according to our new design;
 FIG. 2 is a front elevational view thereof;
 FIG. 3 is a rear elevational view thereof;
 FIG. 4 is a left side elevational view thereof;
 FIG. 5 is a right side elevational view thereof;
 FIG. 6 is a top plan view thereof; and,
 FIG. 7 is a bottom plan view thereof.
 In the drawings, the broken lines show portions of an egg carton having tamper evident closure that form no part of the claim.

1 Claim, 7 Drawing Sheets



(56)

References Cited

U.S. PATENT DOCUMENTS

D410,386 S * 6/1999 Watkins D9/434
 6,012,583 A 1/2000 Ramirez
 6,042,962 A * 3/2000 Ling H01M 2/1044
 429/100
 D448,663 S * 10/2001 Raftree D3/328
 D490,559 S * 5/2004 Small D26/138
 D506,932 S 7/2005 Ramirez
 D507,959 S * 8/2005 Mottini D8/354
 D524,909 S * 7/2006 Bakke D23/233
 D536,957 S * 2/2007 Reiff D8/394
 D560,977 S * 2/2008 Lown D7/603
 D584,939 S * 1/2009 Snell D8/367
 D605,102 S * 12/2009 Peschmann D12/223
 D608,195 S * 1/2010 Germann D9/443
 D611,771 S * 3/2010 Mayer D7/603
 D653,592 S * 2/2012 Brown D12/162
 D659,551 S 5/2012 Ramirez et al.
 D666,898 S * 9/2012 McMahon D8/373
 D670,159 S * 11/2012 Bitarchas D8/394
 D732,373 S * 6/2015 Wagner D8/349
 D753,987 S * 4/2016 Bernstein D8/367
 9,340,349 B2 5/2016 Ramirez et al.
 D772,475 S * 11/2016 Sonneman D26/138

D789,184 S * 6/2017 Stanley D8/363
 D814,058 S * 3/2018 Singh D25/119
 D817,520 S * 5/2018 Gonzales D25/126
 2007/0063118 A1* 3/2007 Owens A47C 4/02
 248/300
 2013/0020224 A1 1/2013 Ramirez et al.
 2013/0048527 A1 2/2013 Ramirez et al.

OTHER PUBLICATIONS

MiSumi. Sheet Metal Mounting Plates. Sep. 6, 2016 [earliest online date], [site visited Mar. 27, 2018]. Available from Internet, <URL:https://us.misumi-ec.com/vona2/detail/110302711130/>. (Year: 2016).*
 MiSumi. Sheet Metal Mounting Plates. Sep. 6, 2016 [earliest online date], [site visited Mar. 27, 2018 and Jul. 23, 2018], Available from Internet, <URL:https://us.misumi-ec.com/vona2/detail/110302711130/>. (Year: 2016) (Year: 2016).*
 Ebay. sawtooth picture frame hook hanger saw-tooth canvas hangers self fix 60mm black posted by malcscabinets. Jan. 9, 2017 [earliest online date], [site visited Jul. 23, 2018]. Available from Internet, <URL:https://www.ebay.ie/itm/231707105476>. (Year: 2017).*
 Photo of Dolco Packaging prior art egg carton with two locking nubs.

* cited by examiner

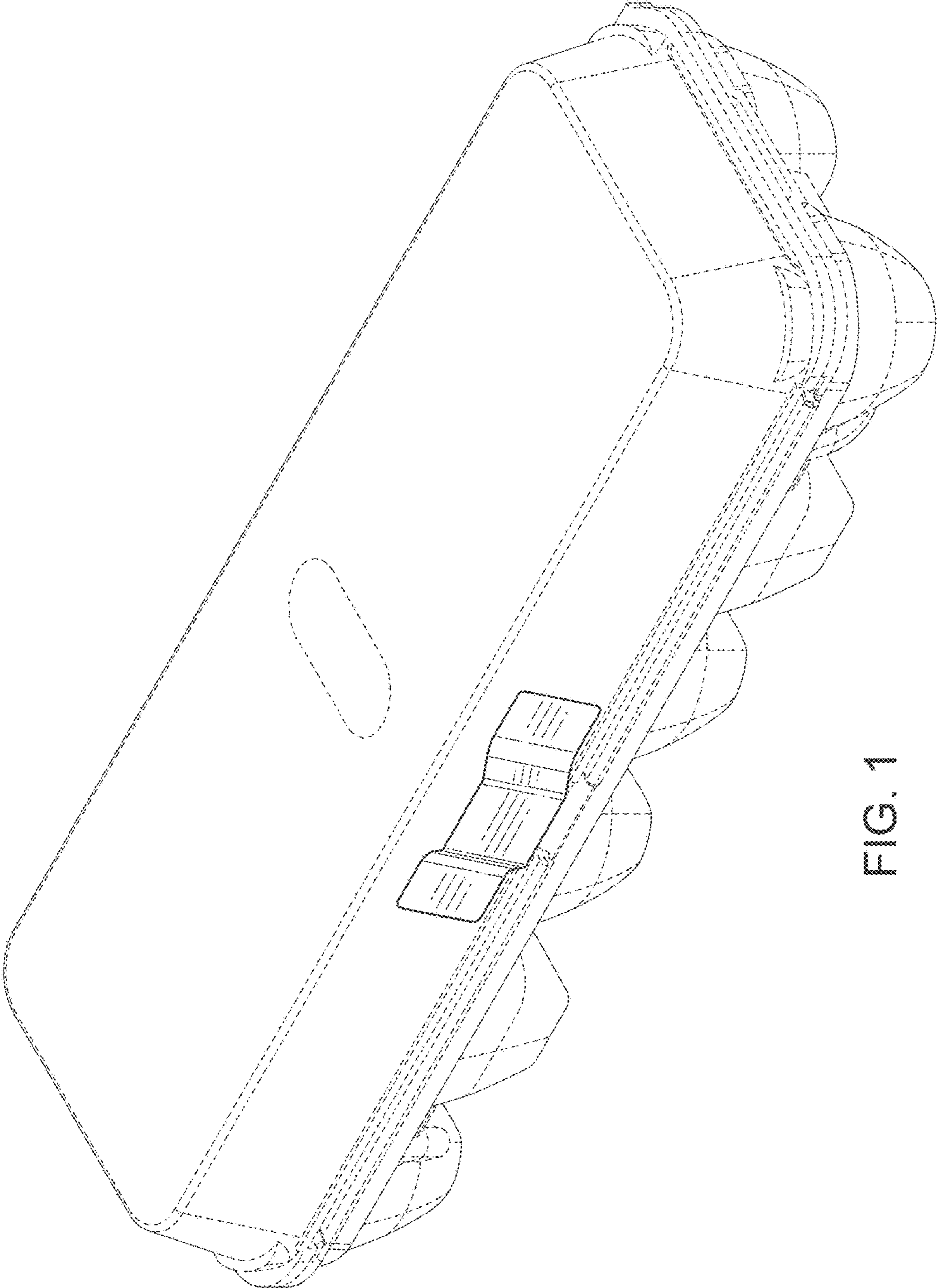


FIG. 1

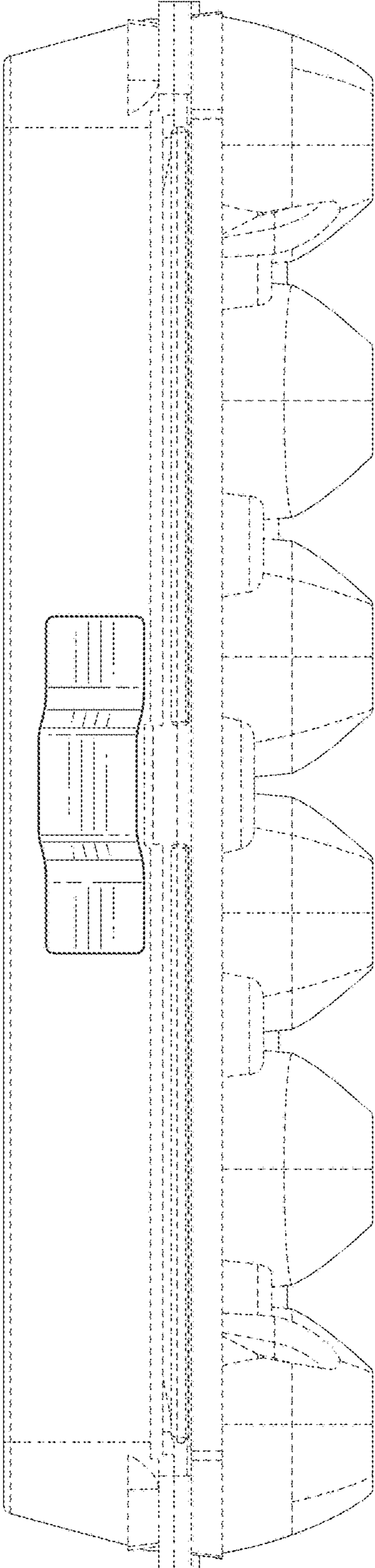


FIG. 2

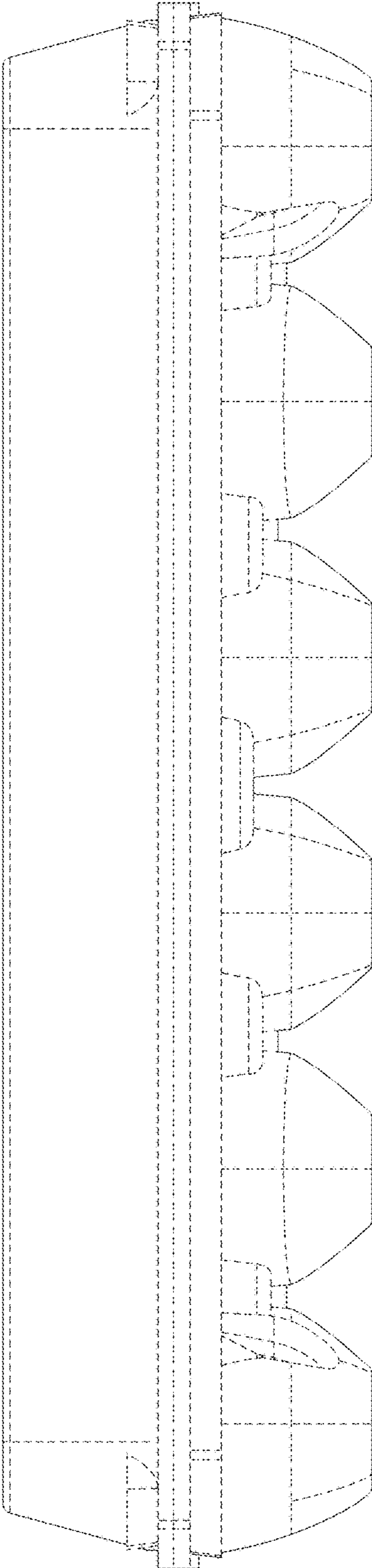


FIG. 3

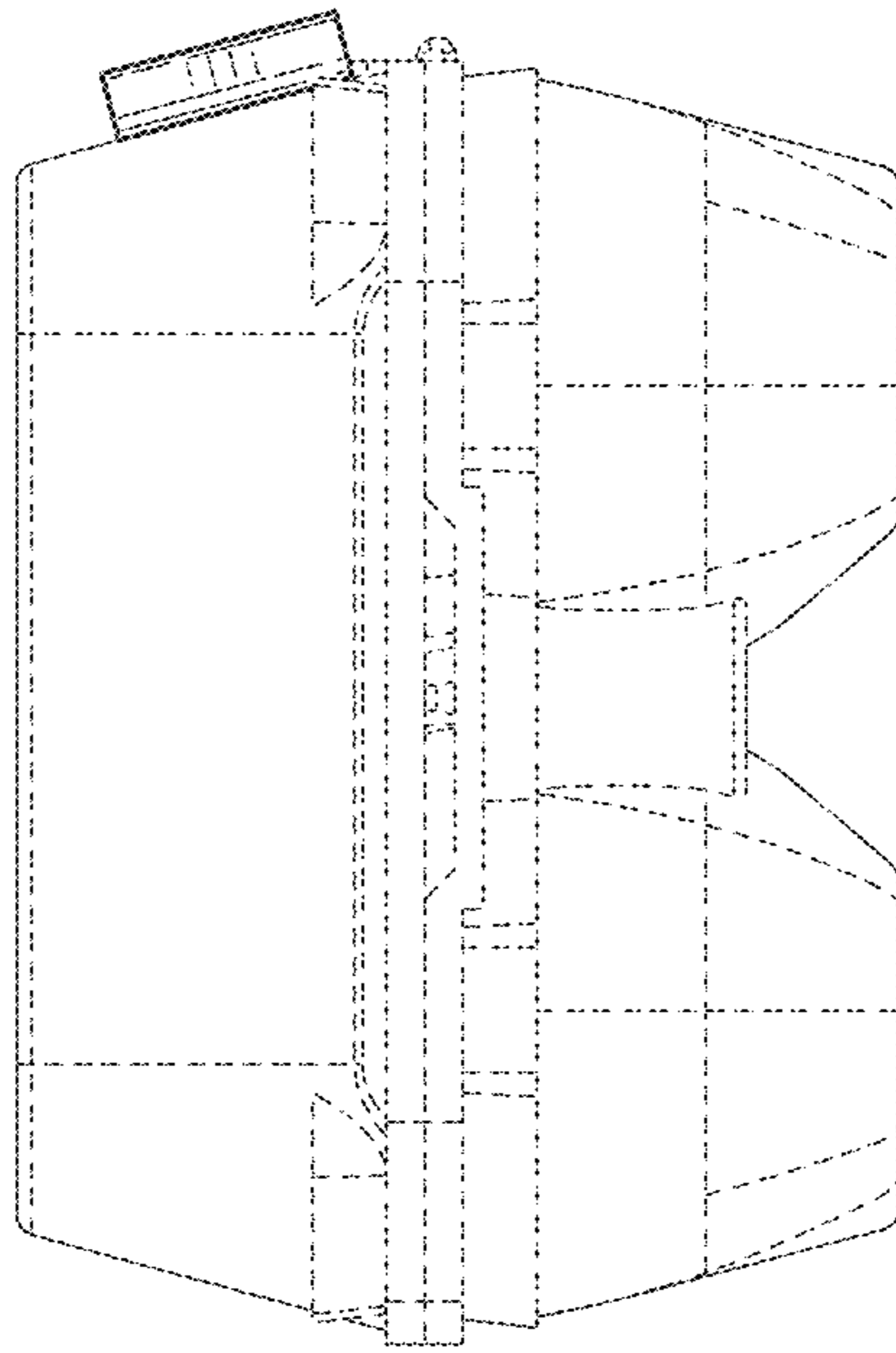


FIG. 4

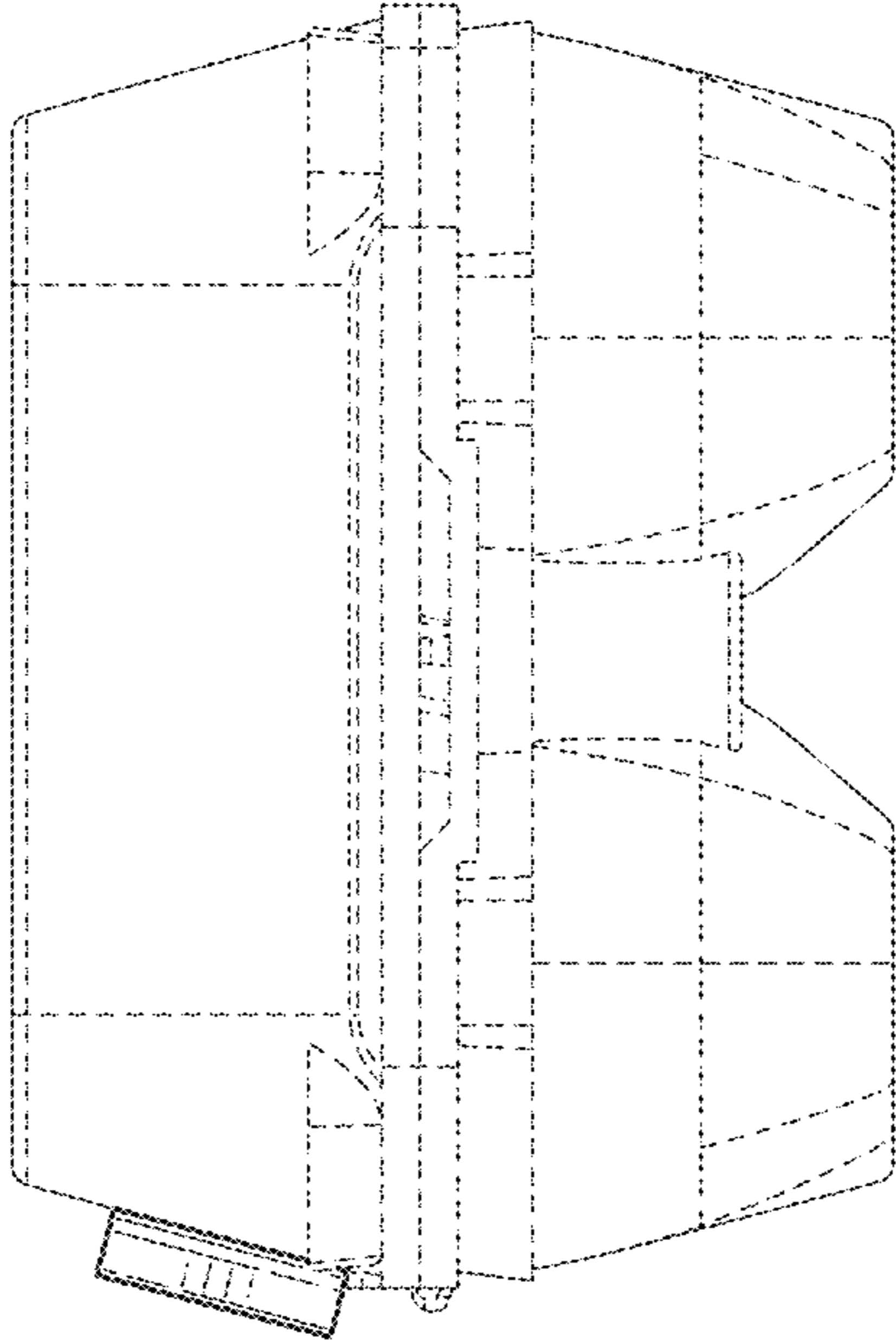


FIG. 5

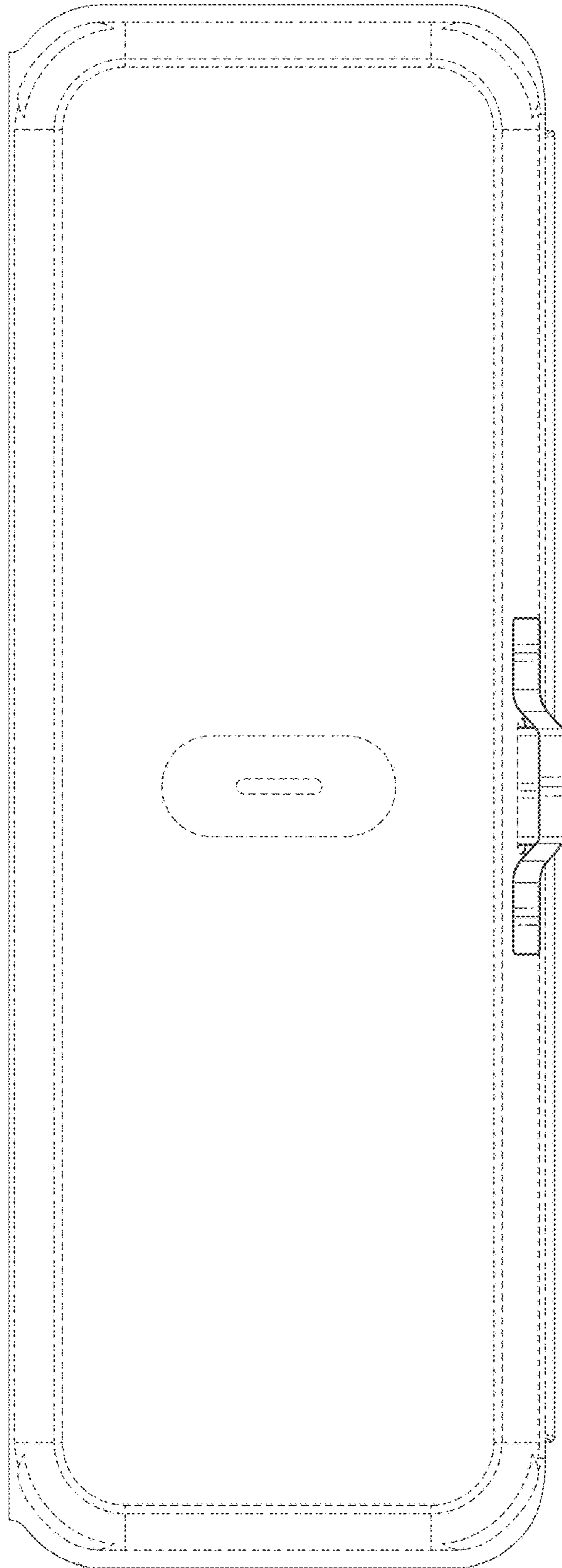


FIG. 6

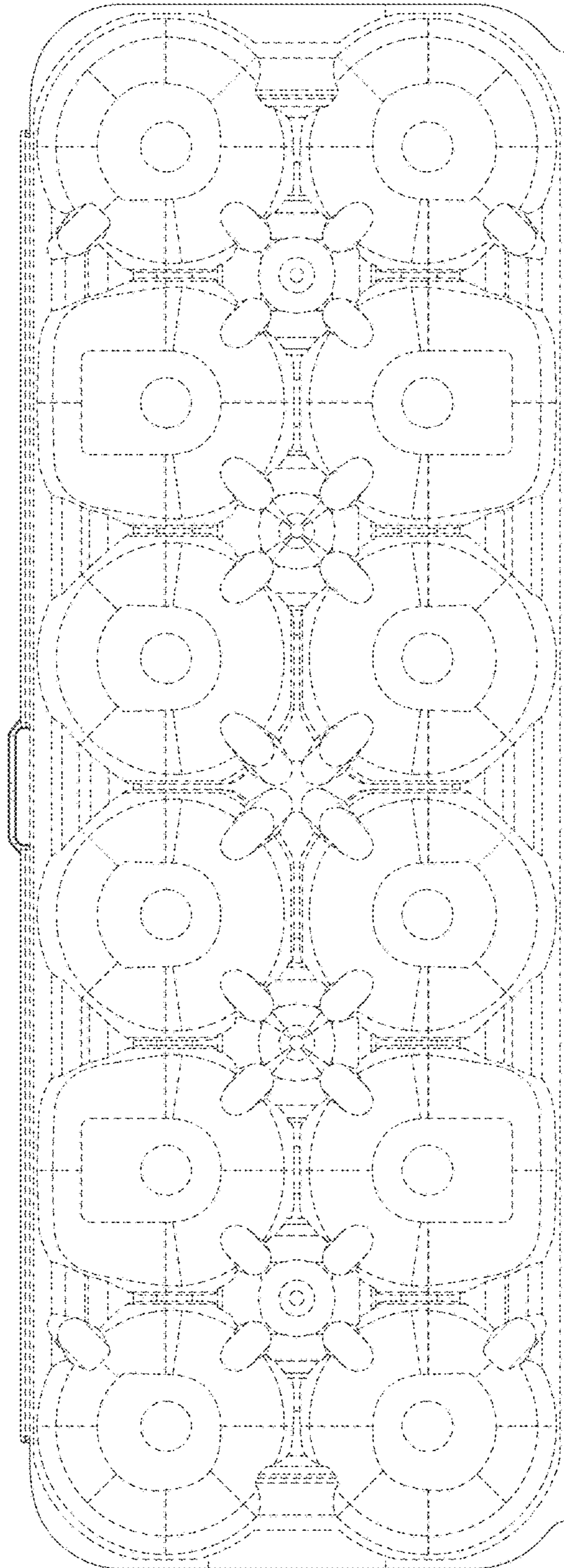


FIG. 7