



US00D847624S

(12) **United States Design Patent**  
**Farrell**

(10) **Patent No.:** **US D847,624 S**

(45) **Date of Patent:** **\*\* May 7, 2019**

(54) **PACKAGING FOR ORAL APPLIANCE WITH CONTAINER**

(71) Applicant: **MYOSA PTY LTD**, Helensvale QLD (AU)

(72) Inventor: **Christopher John Farrell**, Helensvale (AU)

(73) Assignee: **MYOSA PTY LTD**, Helensvale (AU)

(\*\*) Term: **15 Years**

(21) Appl. No.: **29/597,912**

(22) Filed: **Mar. 21, 2017**

(30) **Foreign Application Priority Data**

Sep. 23, 2016 (AU) ..... 201615372  
Sep. 23, 2016 (AU) ..... 201615375  
Sep. 23, 2016 (AU) ..... 201615380

(51) **LOC (11) Cl.** ..... **09-03**

(52) **U.S. Cl.**  
USPC ..... **D9/415**

(58) **Field of Classification Search**  
USPC ..... D9/414-418, 420, 430, 432-433, 441, D9/521, 424-425, 635, 451, 501, 504, D9/531, 533-554, 564-575, 686-699, D9/701-702, 710-711, 722-723, 736, D9/740, 752, 755-756; D24/152, 156  
CPC .. B65D 43/161; B65D 43/162; B65D 43/163; B65D 17/12; A45D 40/0087  
See application file for complete search history.

(56) **References Cited**

**U.S. PATENT DOCUMENTS**

D330,331 S \* 10/1992 Hsiao ..... D9/732  
D366,828 S \* 2/1996 Bachand ..... D9/425  
D379,301 S \* 5/1997 Lippincott ..... D9/424

(Continued)

**FOREIGN PATENT DOCUMENTS**

AU 2013205854 A1 3/2014  
DE 202013008189 U1 1/2015

(Continued)

**OTHER PUBLICATIONS**

<https://www.elastoplast.com.au/products/mouthguards/youth-mouthguard-jaws-loc/au>, "Jaws Youth Mouthguard", Elastoplast, Jun. 19, 2017, 1 sheet.

(Continued)

*Primary Examiner* — Barbara Fox

*Assistant Examiner* — Mehri F Bajoul

(74) *Attorney, Agent, or Firm* — Ohlandt, Greeley, Ruggiero & Perle, L.L.P.

(57) **CLAIM**

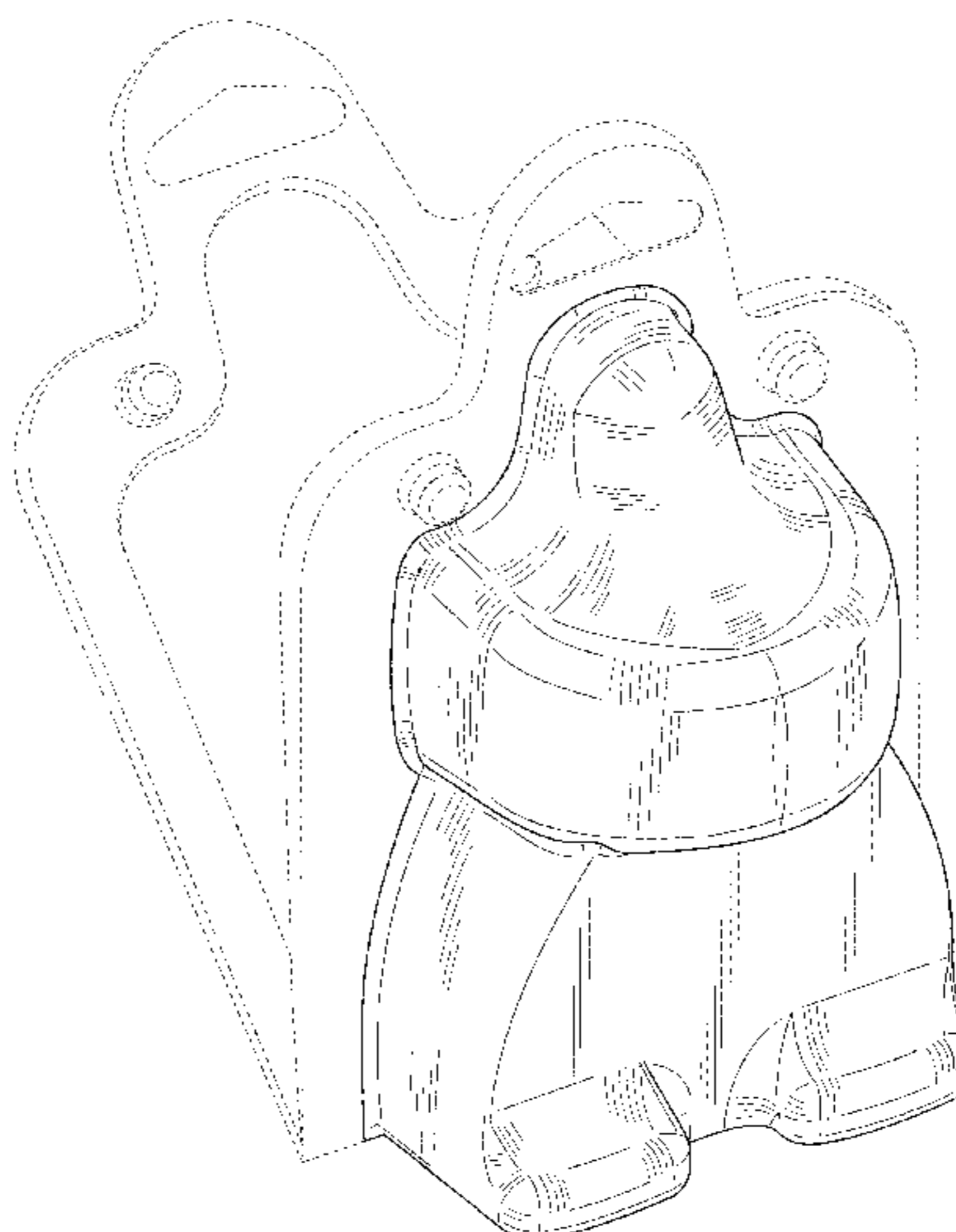
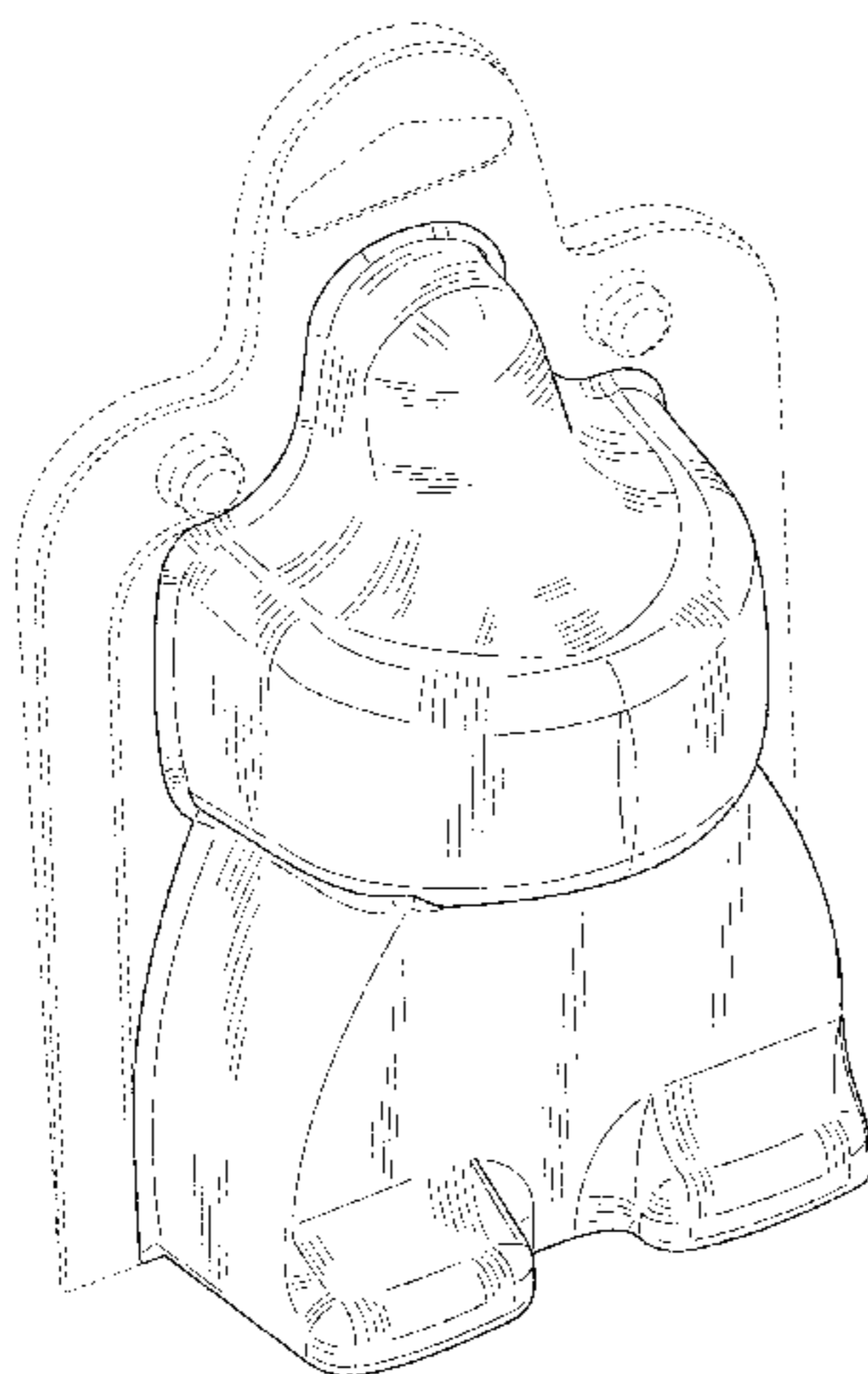
It is claimed the ornamental design for a packaging for oral appliance with container, as shown and described.

**DESCRIPTION**

FIG. 1 is a front left side perspective view of a packaging for oral appliance with container showing my new design;  
FIG. 2 is a front elevation view thereof;  
FIG. 3 is a left elevation view thereof;  
FIG. 4 is a right elevation view thereof;  
FIG. 5 is a top plan view thereof;  
FIG. 6 is a bottom plan view thereof;  
FIG. 7 is a front left perspective view thereof shown partially open;  
FIG. 8 is a front right perspective view thereof shown fully open;  
FIG. 9 is a rear left perspective view thereof shown fully open; and,  
FIG. 10 is a rear elevation view of the design shown in FIGS. 1-6.

The broken lines in the figures are for the purpose of illustration and form no part of the claimed design.

**1 Claim, 8 Drawing Sheets**



(56)

**References Cited**

## U.S. PATENT DOCUMENTS

- |              |      |         |              |       |              |  |  |  |  |
|--------------|------|---------|--------------|-------|--------------|--|--|--|--|
| D415,679     | S *  | 10/1999 | Hata         | ..... | D9/415       |  |  |  |  |
| 6,079,561    | A *  | 6/2000  | Burkard      | ..... | B65D 75/323  |  |  |  |  |
|              |      |         |              |       | 206/459.5    |  |  |  |  |
| 6,227,369    | B1   | 5/2001  | Glassman     |       |              |  |  |  |  |
| 6,345,716    | B1   | 2/2002  | Chapman      |       |              |  |  |  |  |
| 6,474,471    | B1   | 11/2002 | Miyake       |       |              |  |  |  |  |
| D531,054     | S *  | 10/2006 | Sagel        | ..... | D9/424       |  |  |  |  |
| D534,795     | S *  | 1/2007  | Manuel       | ..... | D9/424       |  |  |  |  |
| D596,023     | S *  | 7/2009  | Moskowitz    | ..... | D9/418       |  |  |  |  |
| D606,392     | S *  | 12/2009 | Prevost      | ..... | D9/415       |  |  |  |  |
| D623,935     | S *  | 9/2010  | Kim          | ..... | D9/415       |  |  |  |  |
| D642,048     | S *  | 7/2011  | Ocampo       | ..... | D9/424       |  |  |  |  |
| D672,557     | S *  | 12/2012 | Farrell      | ..... | D24/176      |  |  |  |  |
| D679,862     | S *  | 4/2013  | Sunder       | ..... | D28/8.1      |  |  |  |  |
| D697,398     | S *  | 1/2014  | Guevara-Ludt | ..... | D9/415       |  |  |  |  |
| D700,509     | S *  | 3/2014  | Shirley      | ..... | D9/424       |  |  |  |  |
| D711,735     | S *  | 8/2014  | Atkinson     | ..... | D9/415       |  |  |  |  |
| D716,951     | S *  | 11/2014 | Farrell      | ..... | D24/176      |  |  |  |  |
| D717,450     | S *  | 11/2014 | Farrell      | ..... | D24/181      |  |  |  |  |
| D734,474     | S *  | 7/2015  | Farrell      | ..... | D24/176      |  |  |  |  |
| D745,385     | S *  | 12/2015 | Palsson      | ..... | D9/415       |  |  |  |  |
| D752,230     | S *  | 3/2016  | Farrell      | ..... | D24/176      |  |  |  |  |
| D758,180     | S *  | 6/2016  | Wintmolders  | ..... | D9/415       |  |  |  |  |
| D781,696     | S *  | 3/2017  | Hubner       | ..... | D9/415       |  |  |  |  |
| D785,865     | S *  | 5/2017  | Rigobert     | ..... | D28/8.1      |  |  |  |  |
| D786,501     | S *  | 5/2017  | Rigobert     | ..... | D28/8.1      |  |  |  |  |
| D799,049     | S *  | 10/2017 | Farrell      | ..... | D24/181      |  |  |  |  |
| D800,317     | S *  | 10/2017 | Farrell      | ..... | D24/181      |  |  |  |  |
| 2001/0007308 | A1 * | 7/2001  | Glassman     | ..... | B65D 25/22   |  |  |  |  |
|              |      |         |              |       | 206/469      |  |  |  |  |
| 2004/0149615 | A1 * | 8/2004  | Eisenbraun   | ..... | B65D 75/36   |  |  |  |  |
|              |      |         |              |       | 206/461      |  |  |  |  |
| 2013/0161220 | A1 * | 6/2013  | Hansen       | ..... | B65D 73/0092 |  |  |  |  |
|              |      |         |              |       | 206/463      |  |  |  |  |
| 2015/0225139 | A1 * | 8/2015  | Baker        | ..... | B65D 25/04   |  |  |  |  |
|              |      |         |              |       | 206/45.24    |  |  |  |  |

## FOREIGN PATENT DOCUMENTS

JP	1069887	S	2/2000
WO	2016023221	A1	2/2016

## OTHER PUBLICATIONS

<https://web.archive.org/web/20160308033800/https://www.elastoplast.com.au/products/mouthguards/adult-mouthguard-jaws-loc-AU>, published on Mar. 8, 2016 as per Wayback Machine.

Australian International Search Report for the corresponding application PCT/AU2016/903,871, dated Aug. 29, 2017, 14 pages.

Decision to Grant dated Mar. 23, 2018 from corresponding Russian Patent Application No. 2017501311/49, 6 pages.

\* cited by examiner

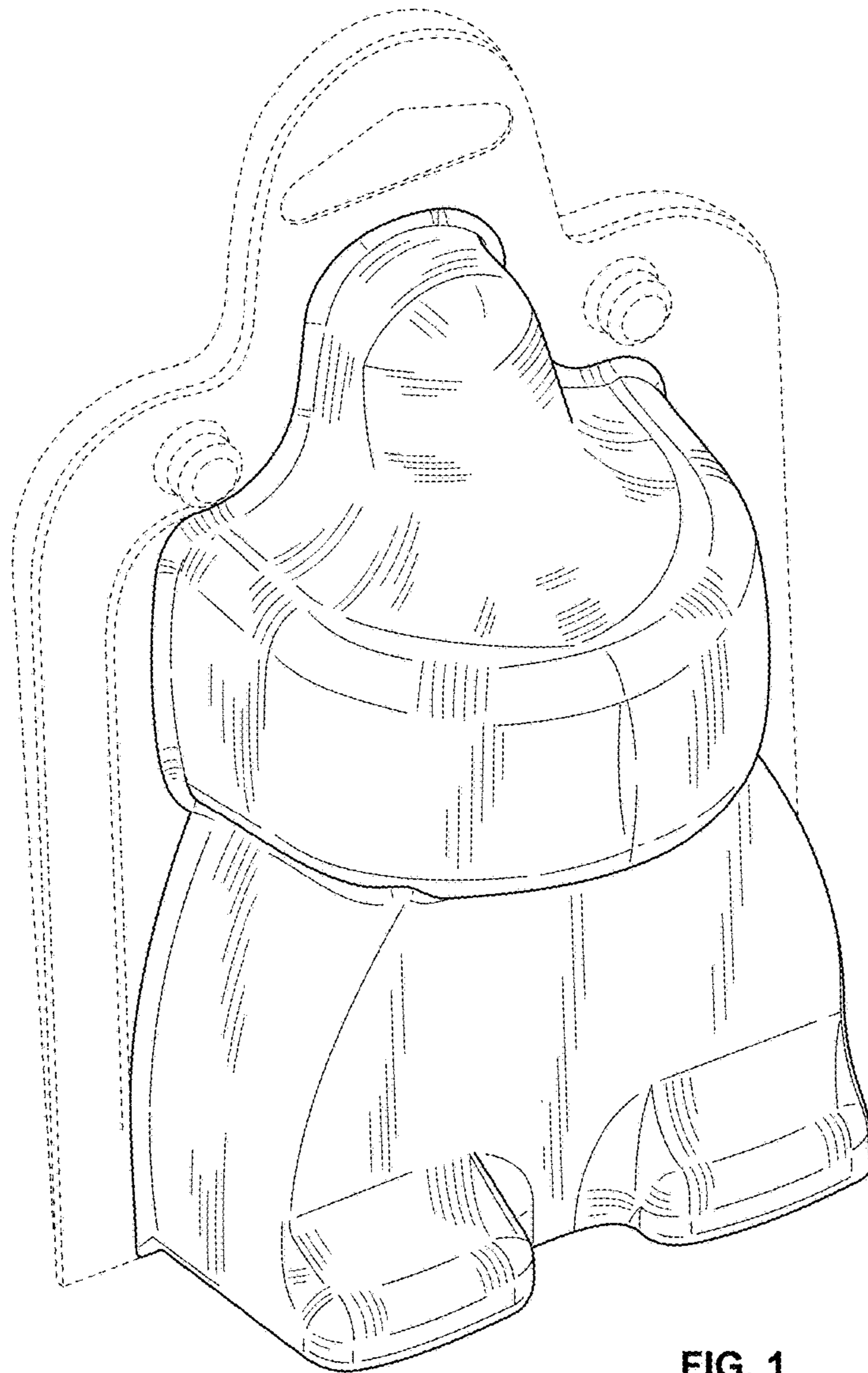


FIG. 1

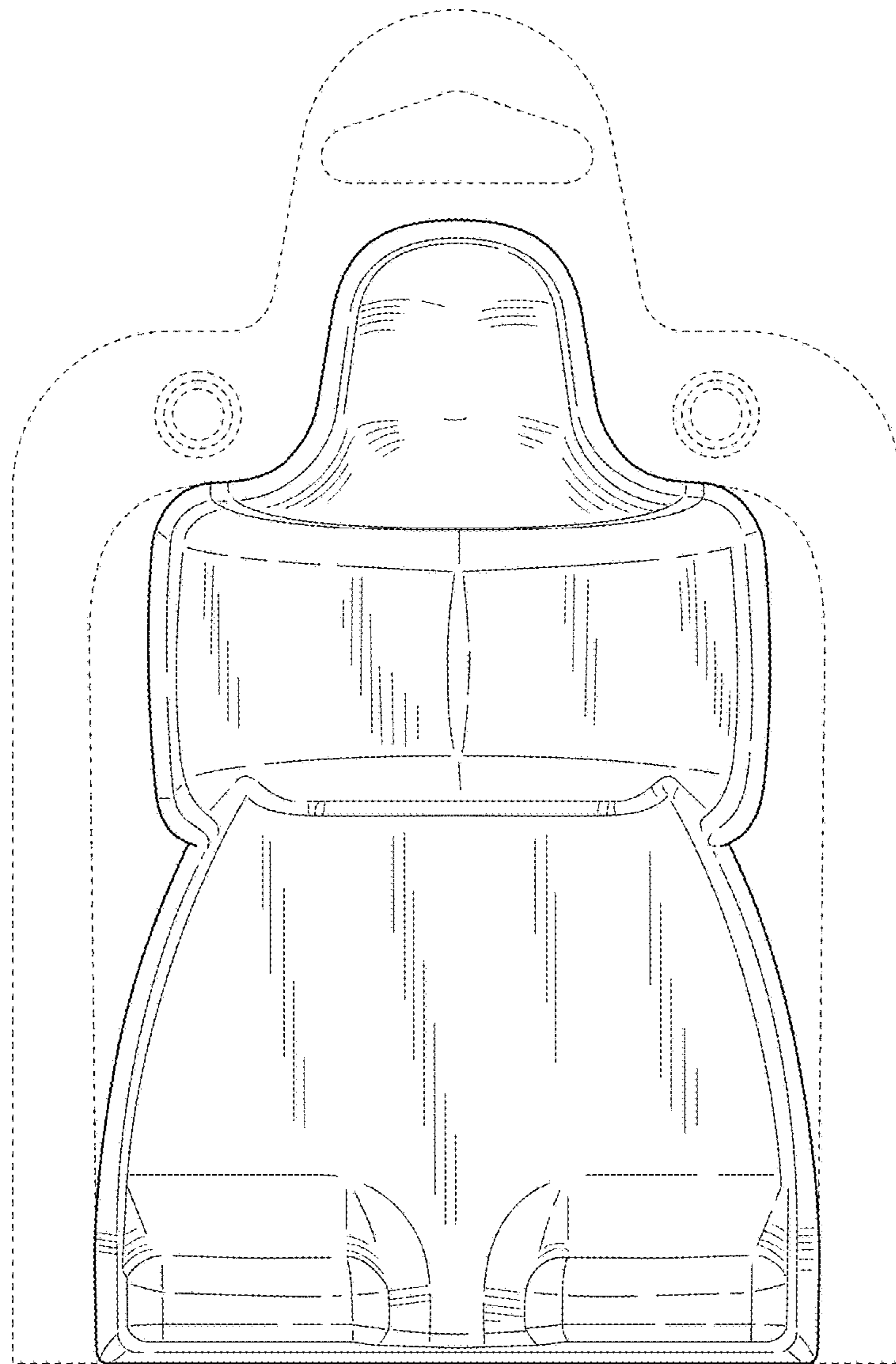


FIG. 2

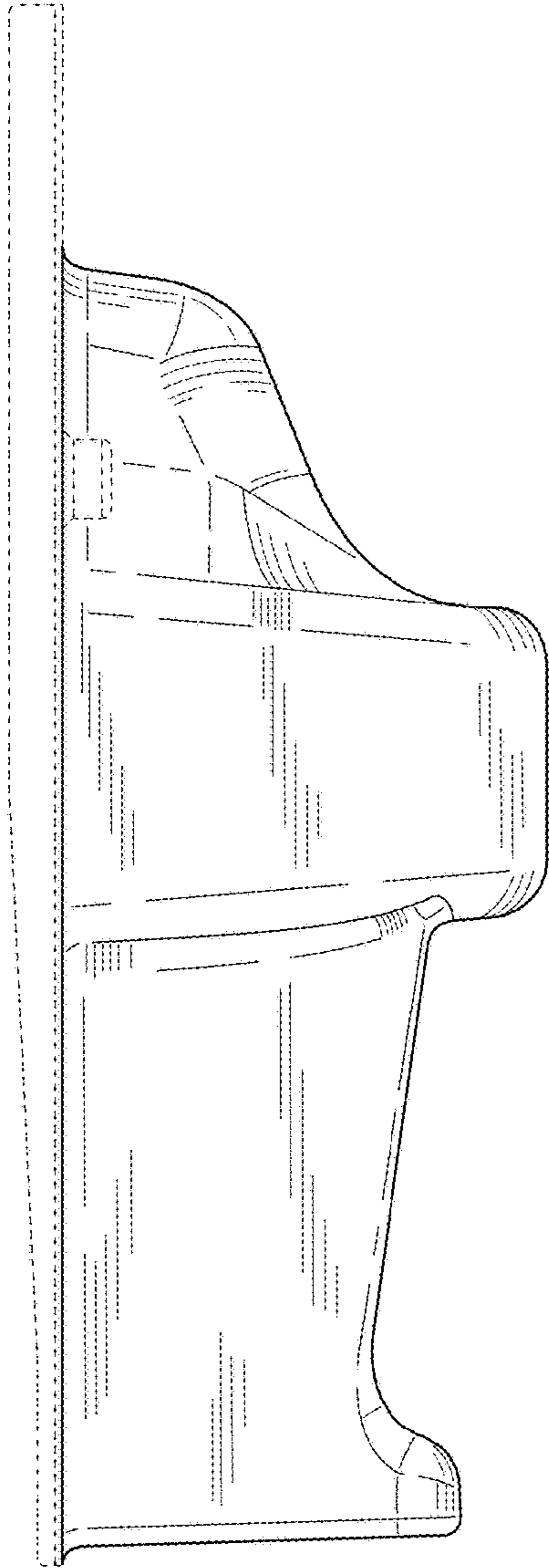


FIG. 3

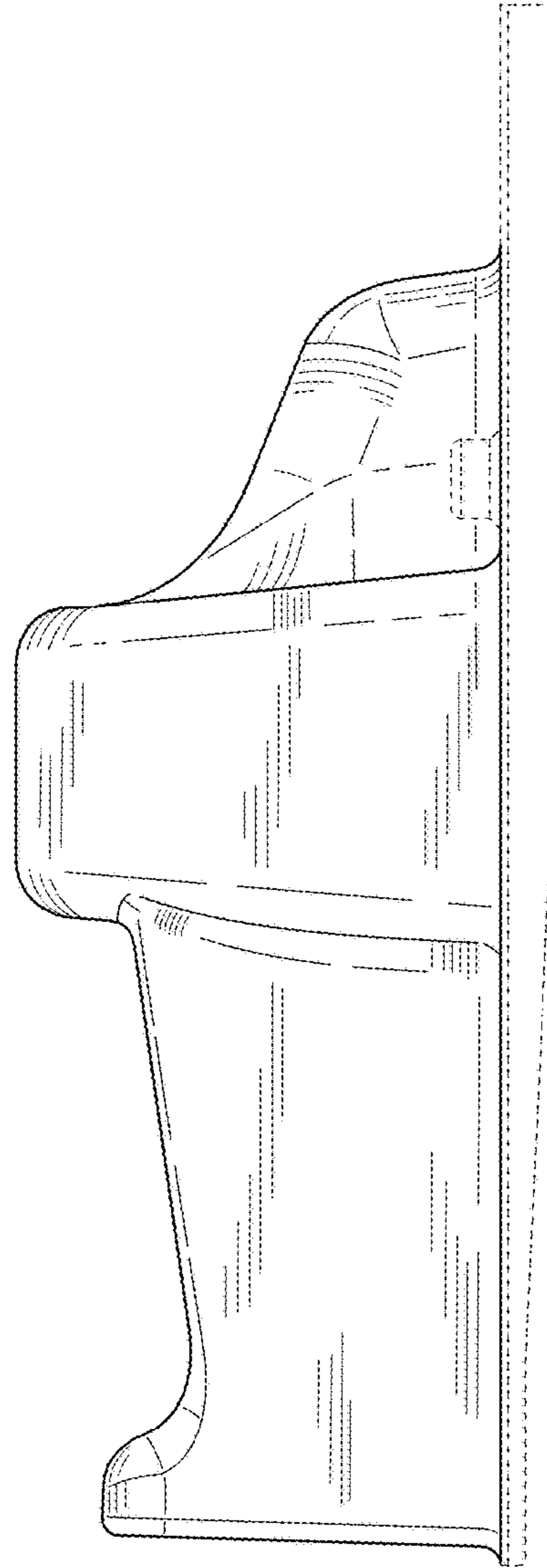


FIG. 4

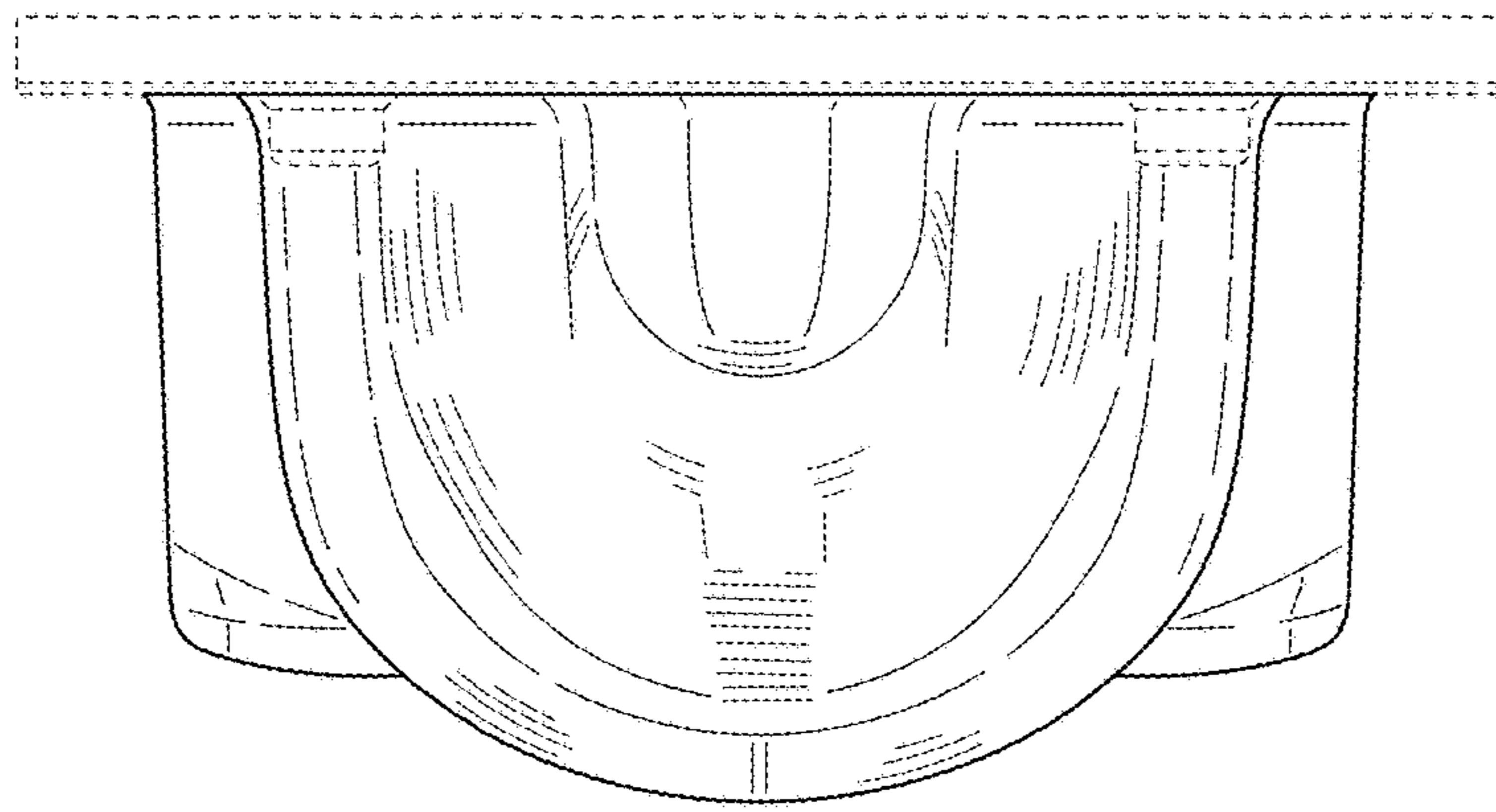


FIG. 5

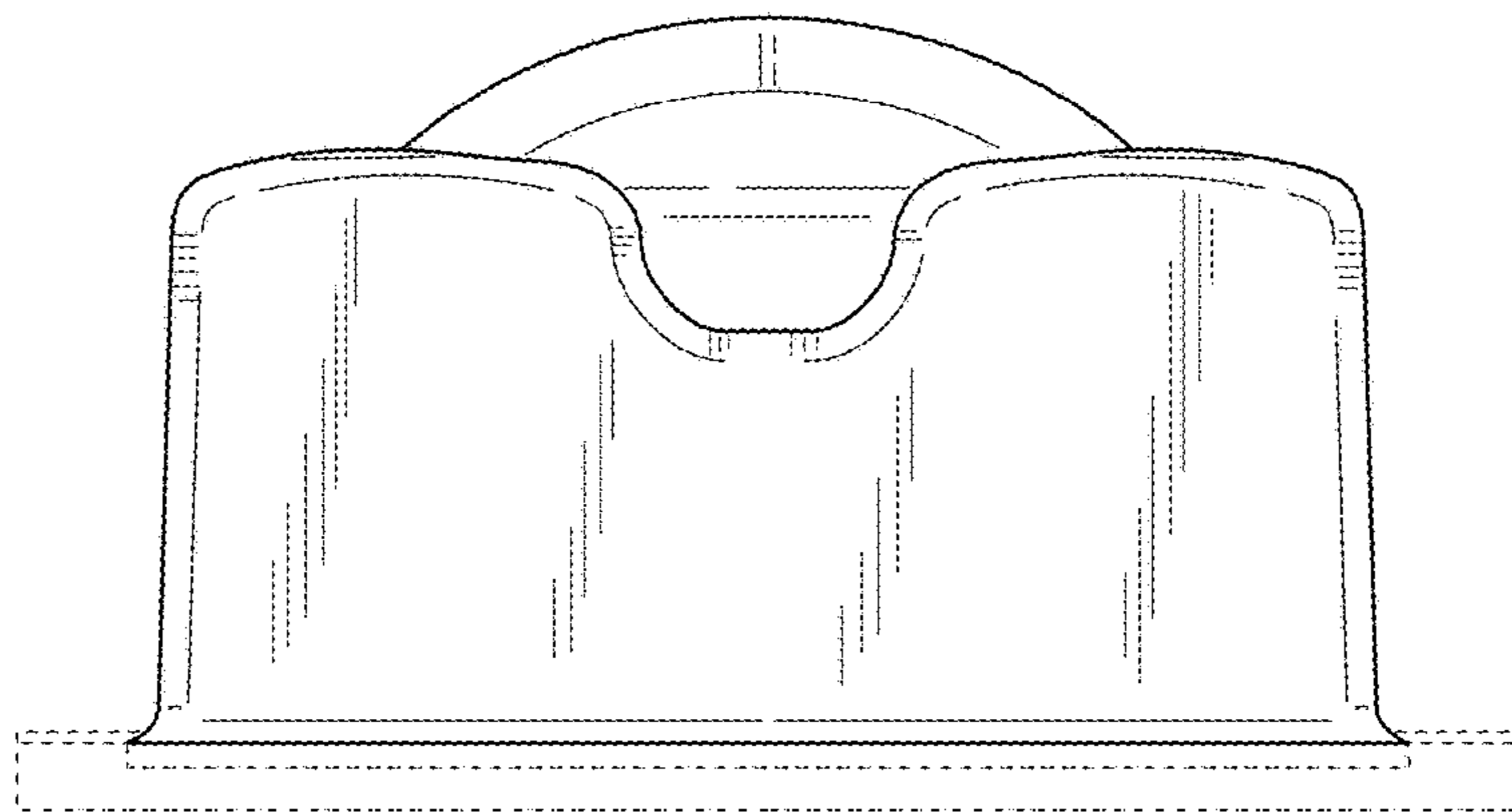


FIG. 6

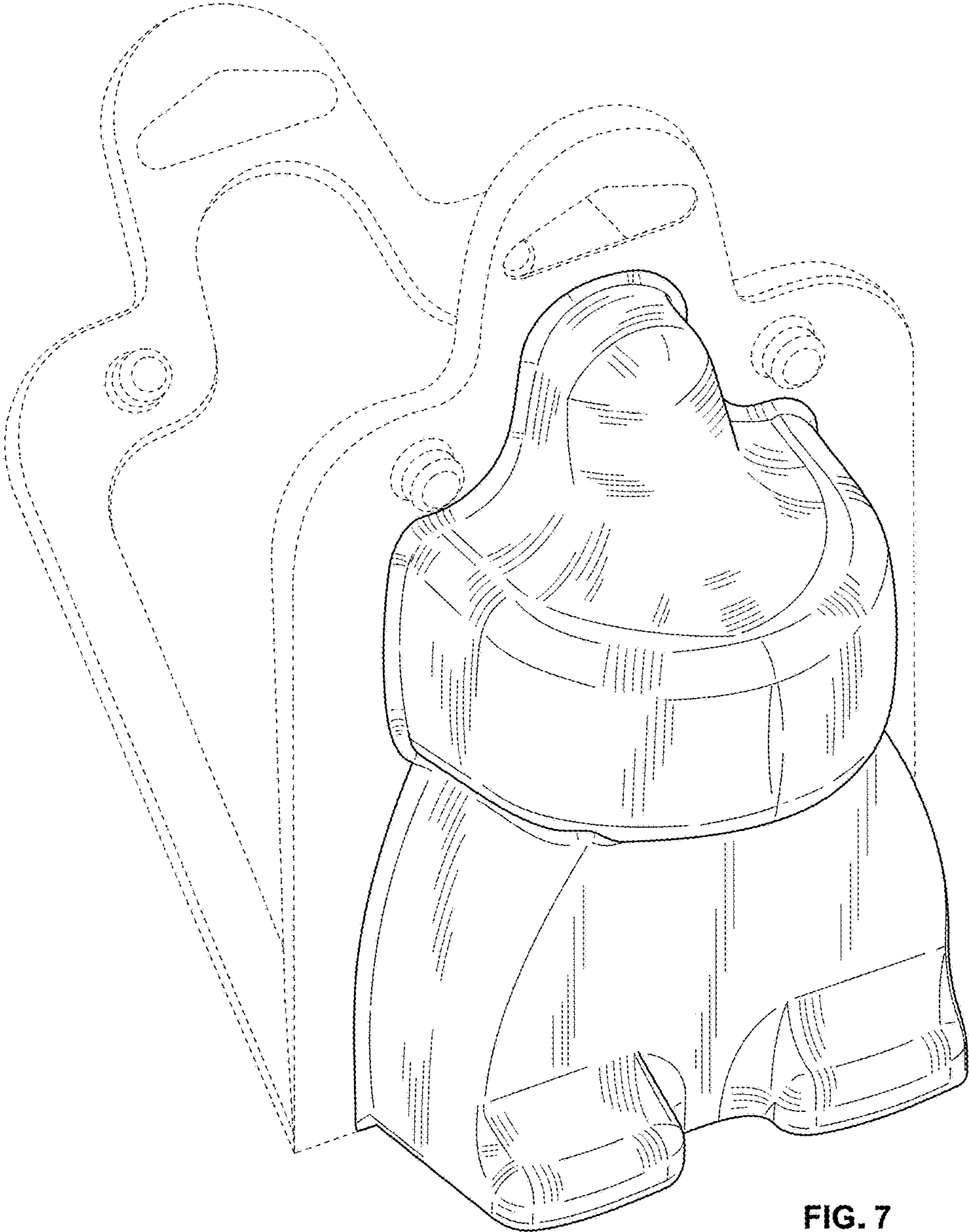


FIG. 7

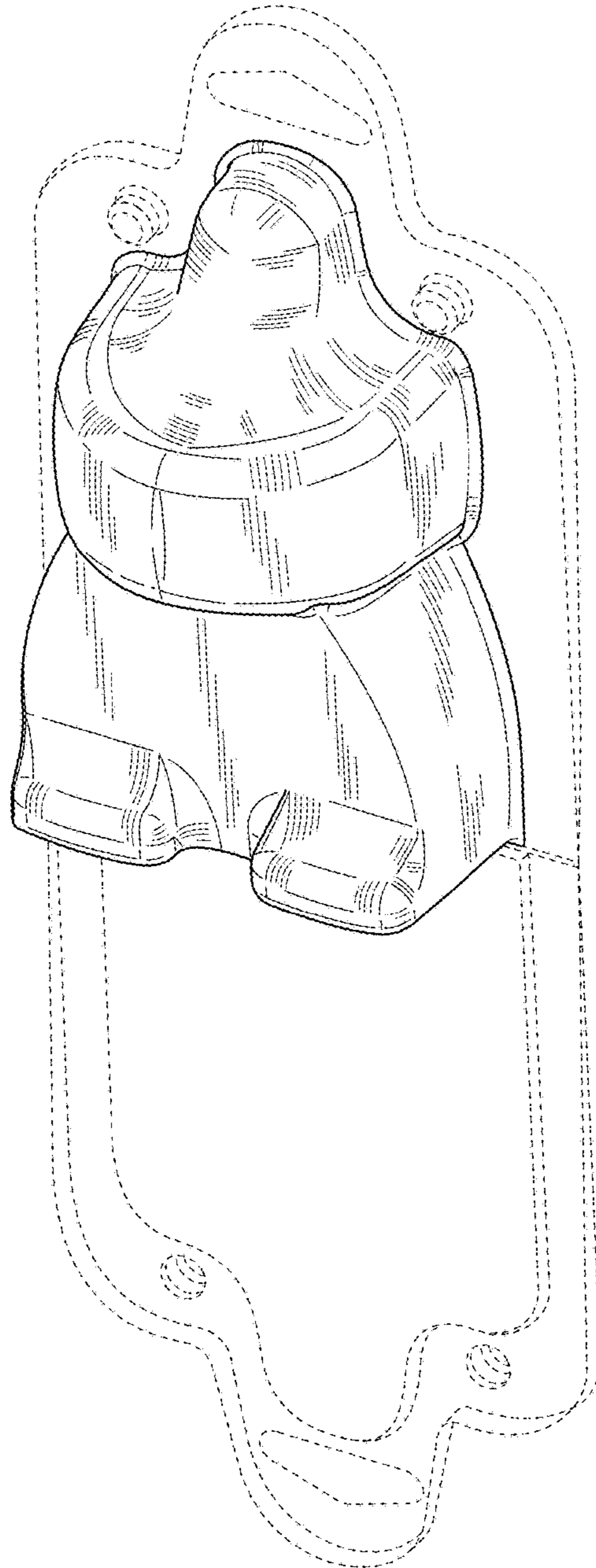


FIG. 8



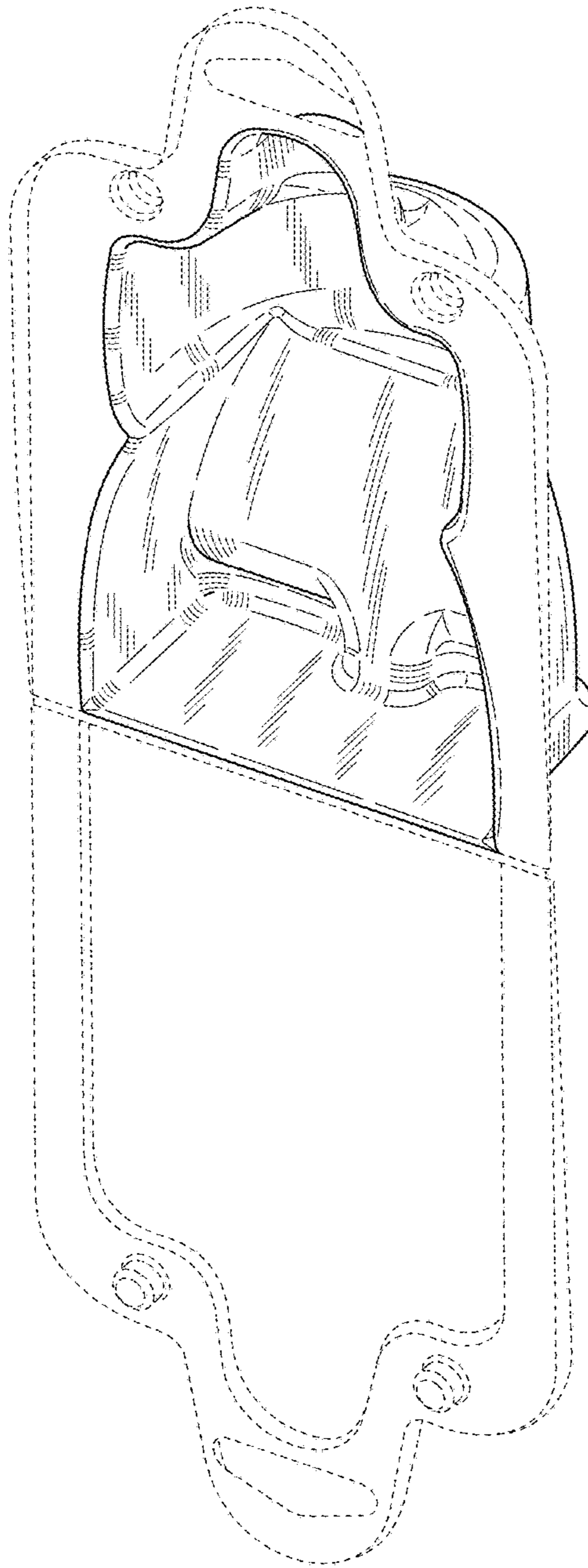


FIG. 9

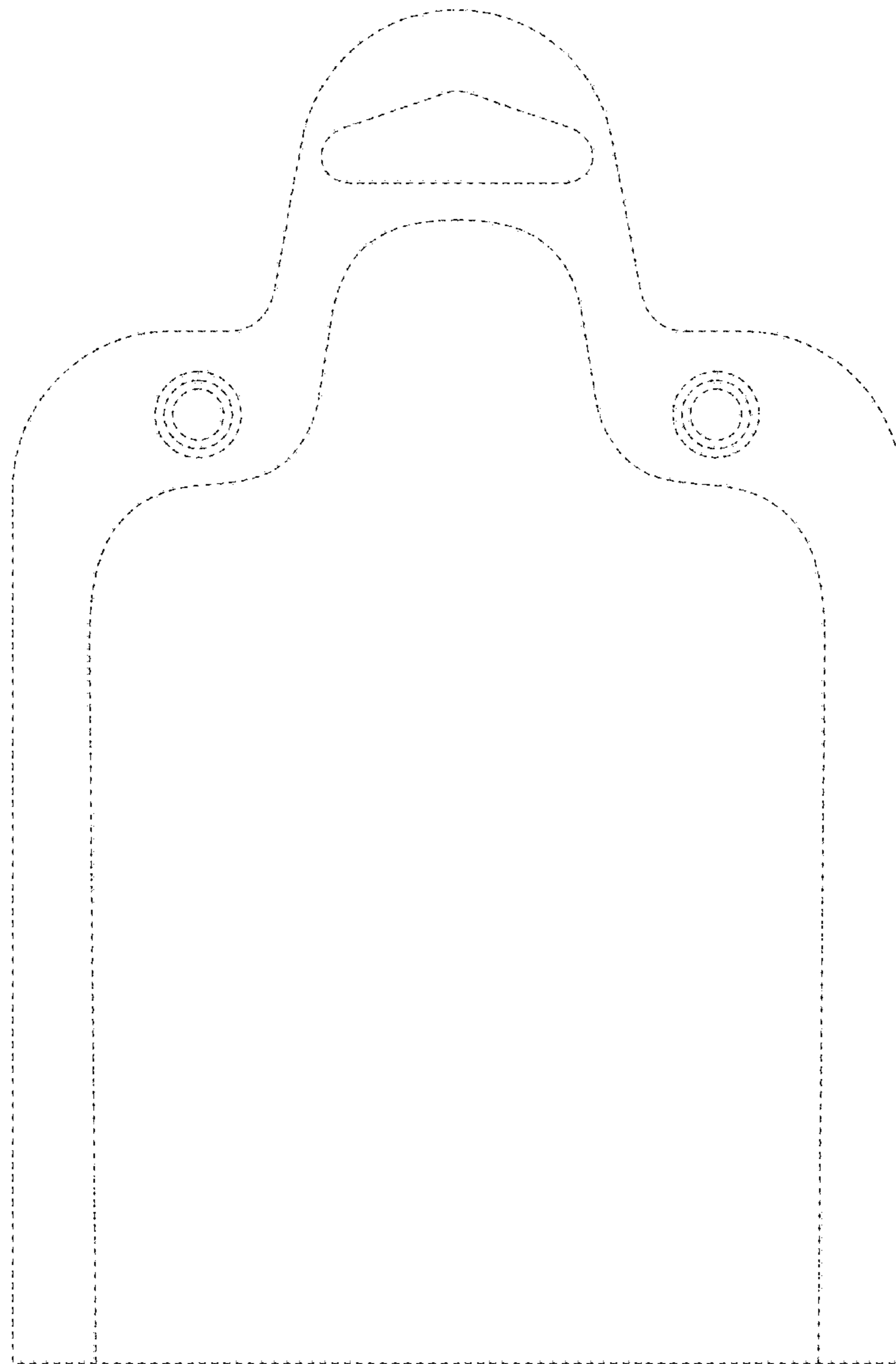


FIG. 10