

US00D847623S

(12) **United States Design Patent**
Caron

(10) **Patent No.:** **US D847,623 S**

(45) **Date of Patent:** **** May 7, 2019**

(54) **CONTAINMENT CLIP**

(71) Applicant: **AngioDynamics, Inc.**, Latham, NY
(US)

(72) Inventor: **Lizabeth K. Caron**, Brighton, MA
(US)

(73) Assignee: **ANGIODYNAMICS, INC.**, Latham,
NY (US)

(**) Term: **15 Years**

(21) Appl. No.: **29/617,323**

(22) Filed: **Sep. 13, 2017**

Related U.S. Application Data

(60) Division of application No. 29/508,884, filed on Nov. 12, 2014, now Pat. No. Des. 802,409, and a continuation of application No. 14/022,615, filed on Sep. 10, 2013.

(51) **LOC (11) Cl.** **08-08**

(52) **U.S. Cl.**
USPC **D8/396**

(58) **Field of Classification Search**
USPC D8/394-396, 349-356, 373, 400, 21-26,
D8/29, 499
CPC . H01R 11/11; F16L 23/036; F16L 3/13; F16L
3/1033; E04B 2/74
See application file for complete search history.

(56) **References Cited**

U.S. PATENT DOCUMENTS

3,894,706 A 7/1975 Mizusawa
5,209,441 A 5/1993 Satoh

D375,890 S 11/1996 Takai
6,109,569 A 8/2000 Sakaida
6,405,414 B1 6/2002 Byrnes
D459,977 S 7/2002 Byrnes
D481,930 S * 11/2003 Hein A47L 13/512
D8/373
D485,161 S * 1/2004 Hutchinson D8/383
6,915,870 B2 7/2005 Sugiyama
7,185,770 B1 3/2007 Roten
H2203 H 11/2007 Borchardt
D631,740 S 2/2011 Wood
D647,788 S 11/2011 Weaver
D695,550 S 12/2013 Yiannaki
D759,474 S 6/2016 Pittman

* cited by examiner

Primary Examiner — John Windmuller

(74) *Attorney, Agent, or Firm* — Heslin Rothenberg
Farley & Mesiti P.C.

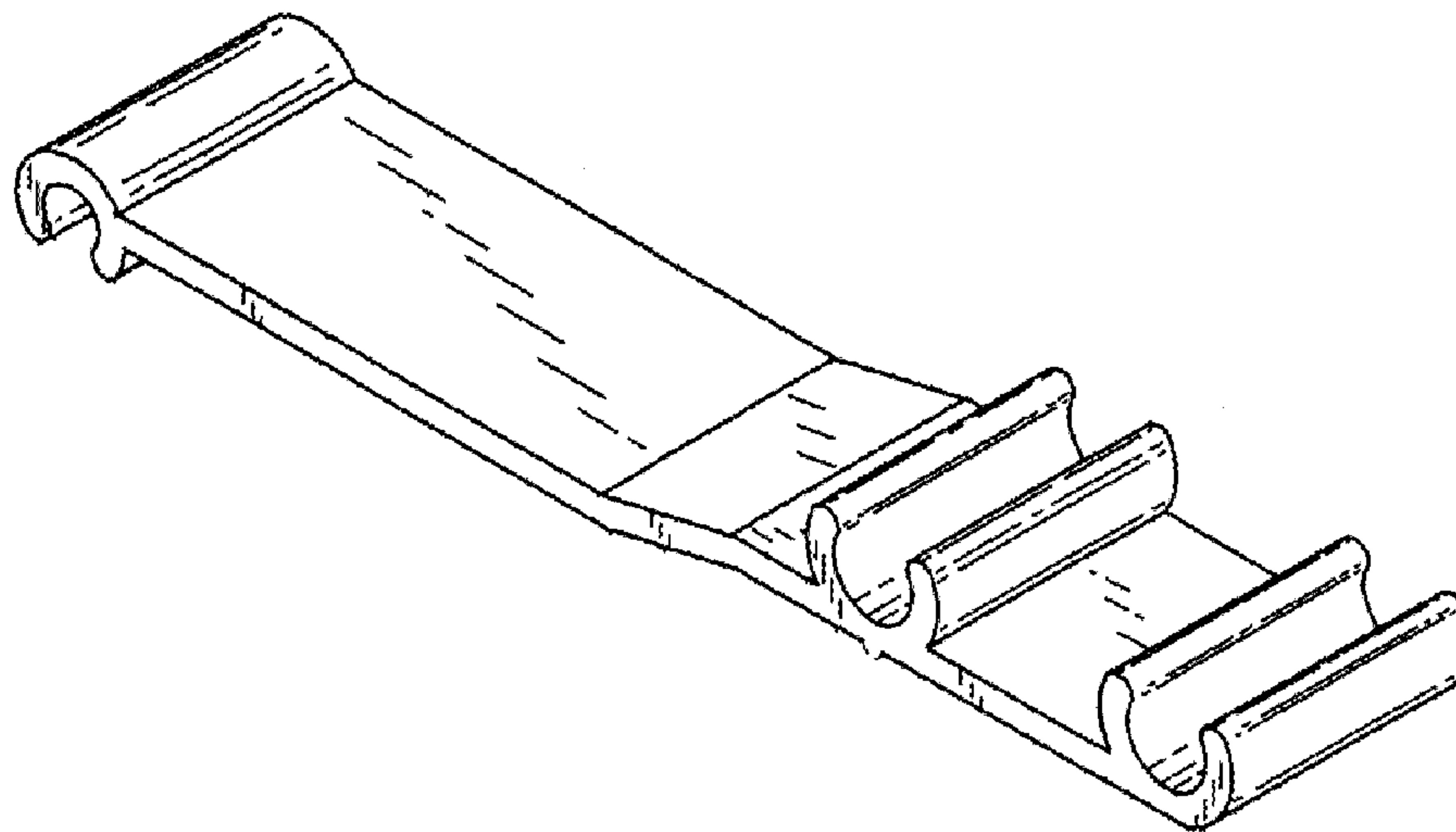
(57) **CLAIM**

The ornamental design for a containment clip, as shown and described.

DESCRIPTION

FIG. 1 is a perspective view of a containment clip comprising the new design;
FIG. 2 is front view thereof, where the rear view is a mirror image thereof;
FIG. 3 is a top view thereof;
FIG. 4 is a bottom view thereof;
FIG. 5 is a left side view thereof;
FIG. 6 is a right side view thereof;
FIG. 7 is another top view thereof; and,
FIG. 8 is another perspective view thereof.
The broken lines depict portions of the containment clip that form no part of the claimed design.

1 Claim, 3 Drawing Sheets



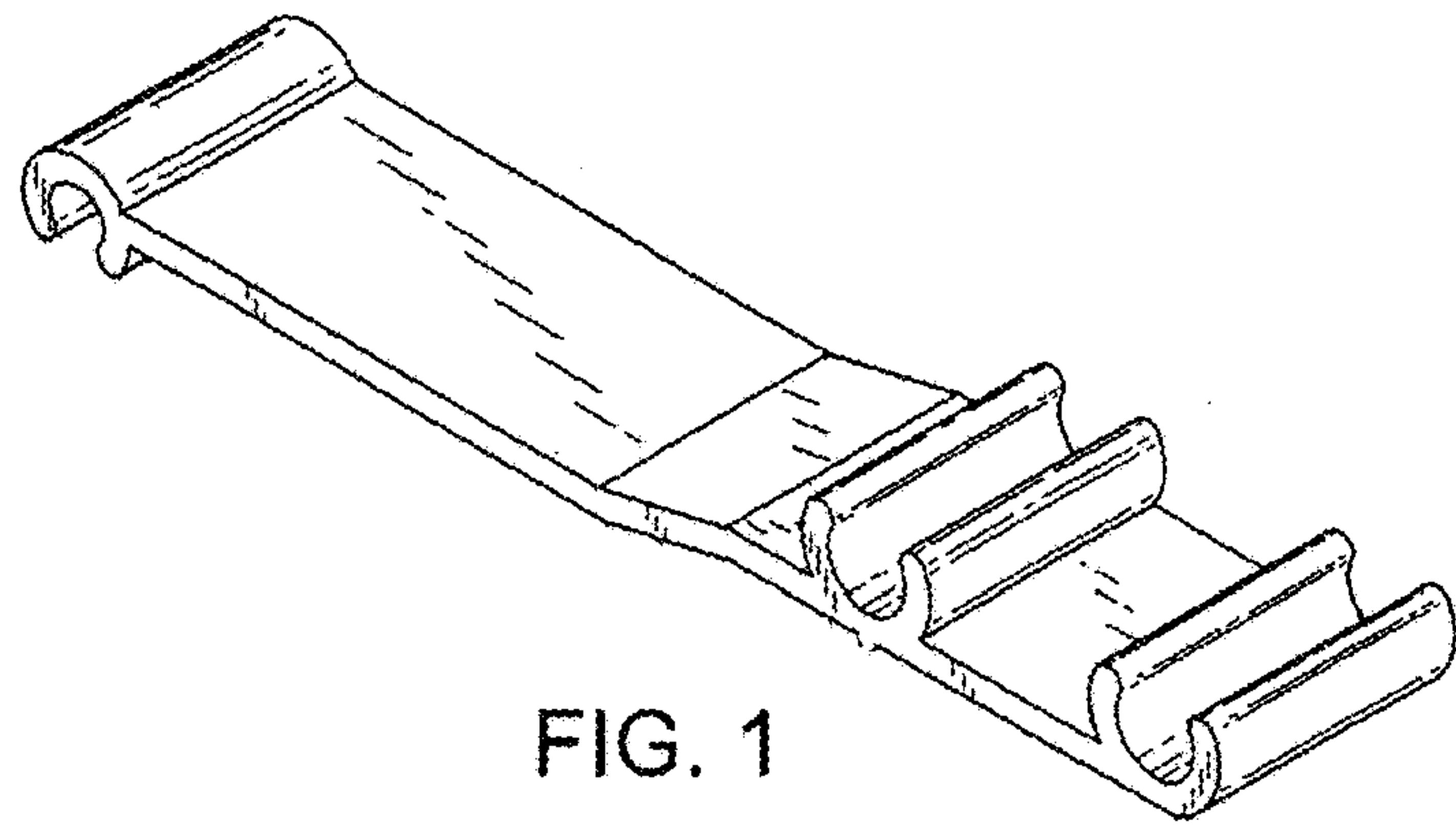


FIG. 1

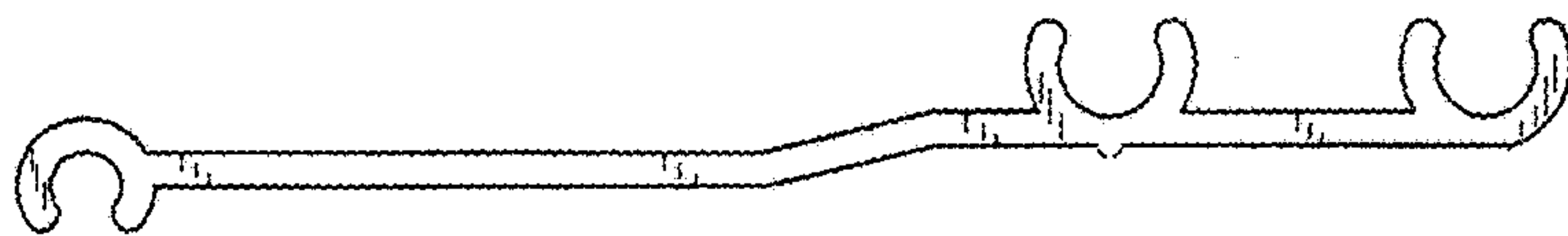


FIG. 2

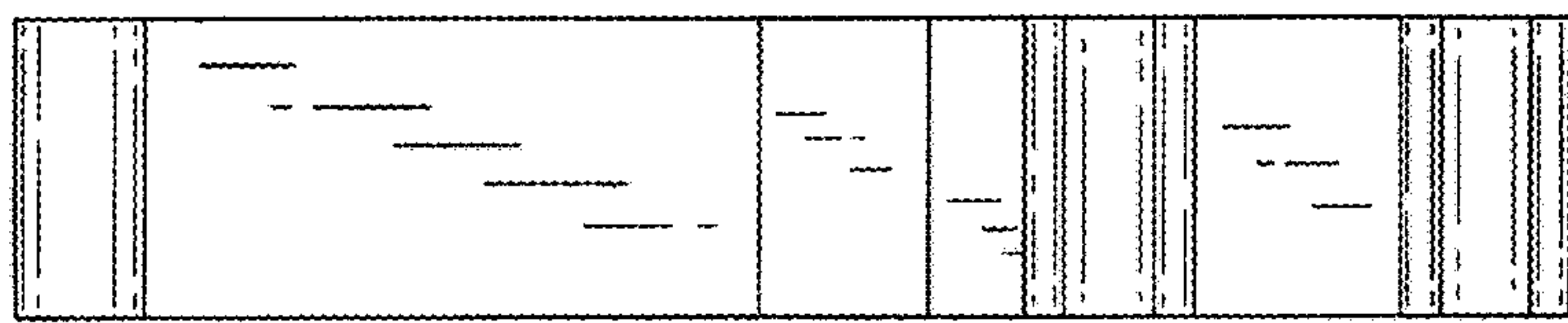


FIG. 3

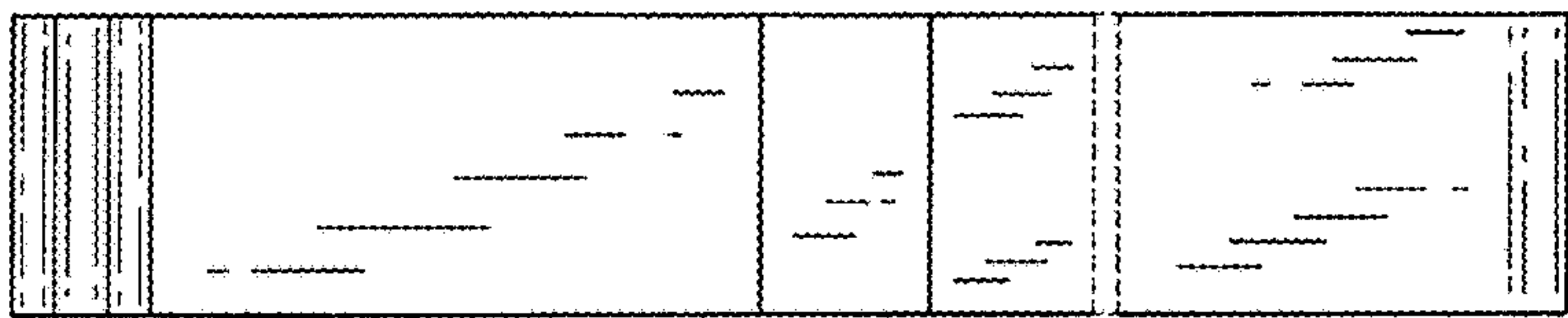


FIG. 4



FIG. 5

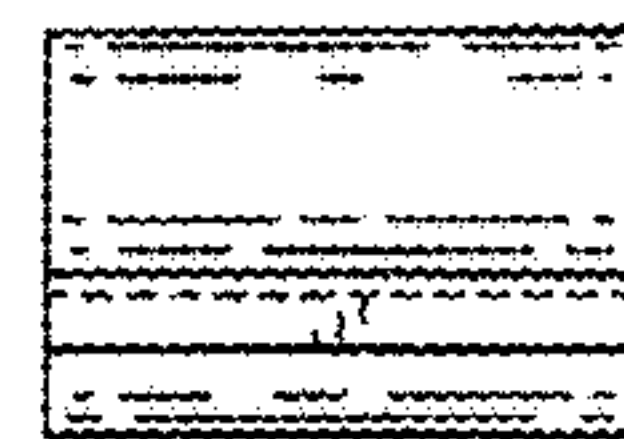


FIG. 6

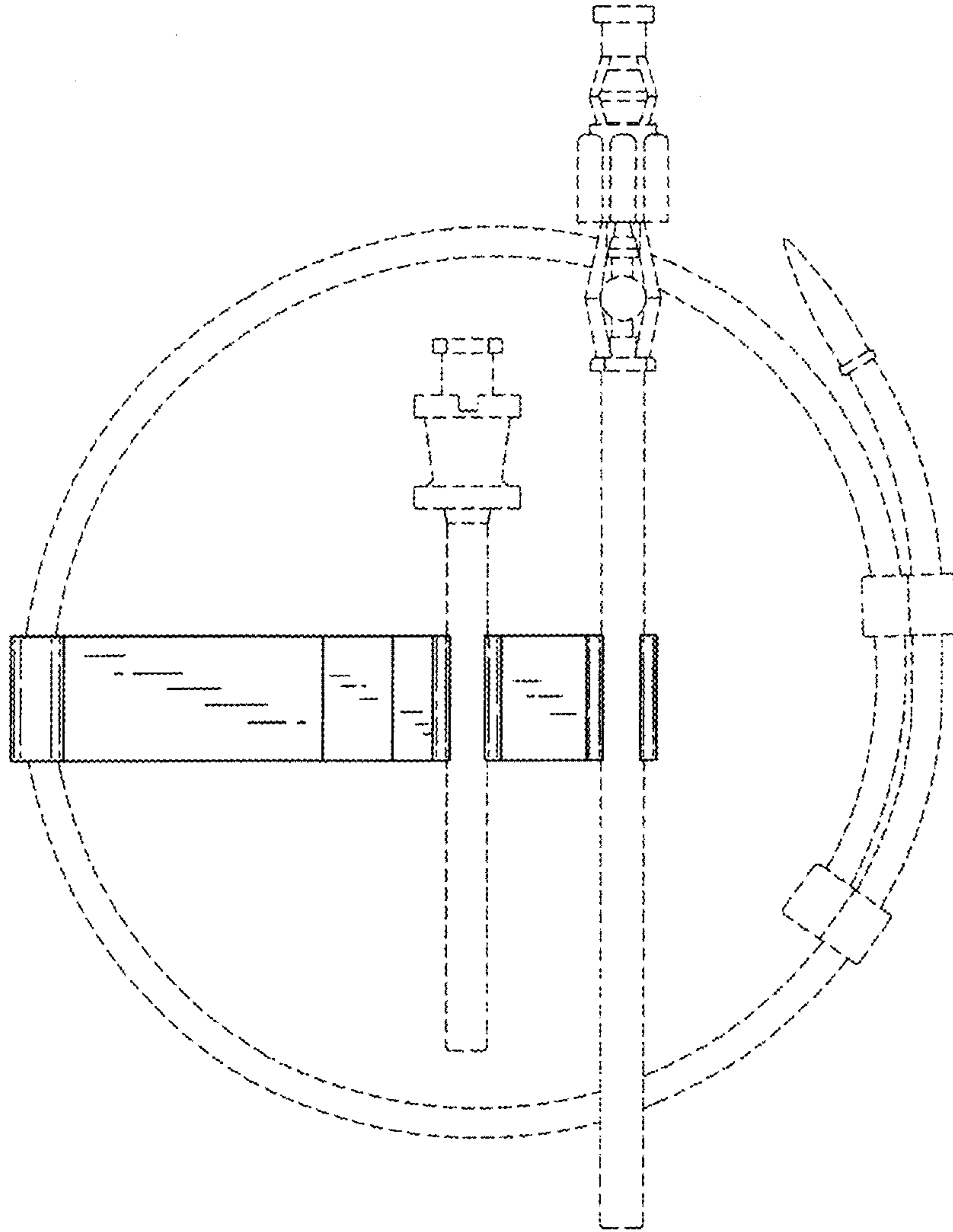


FIG. 7

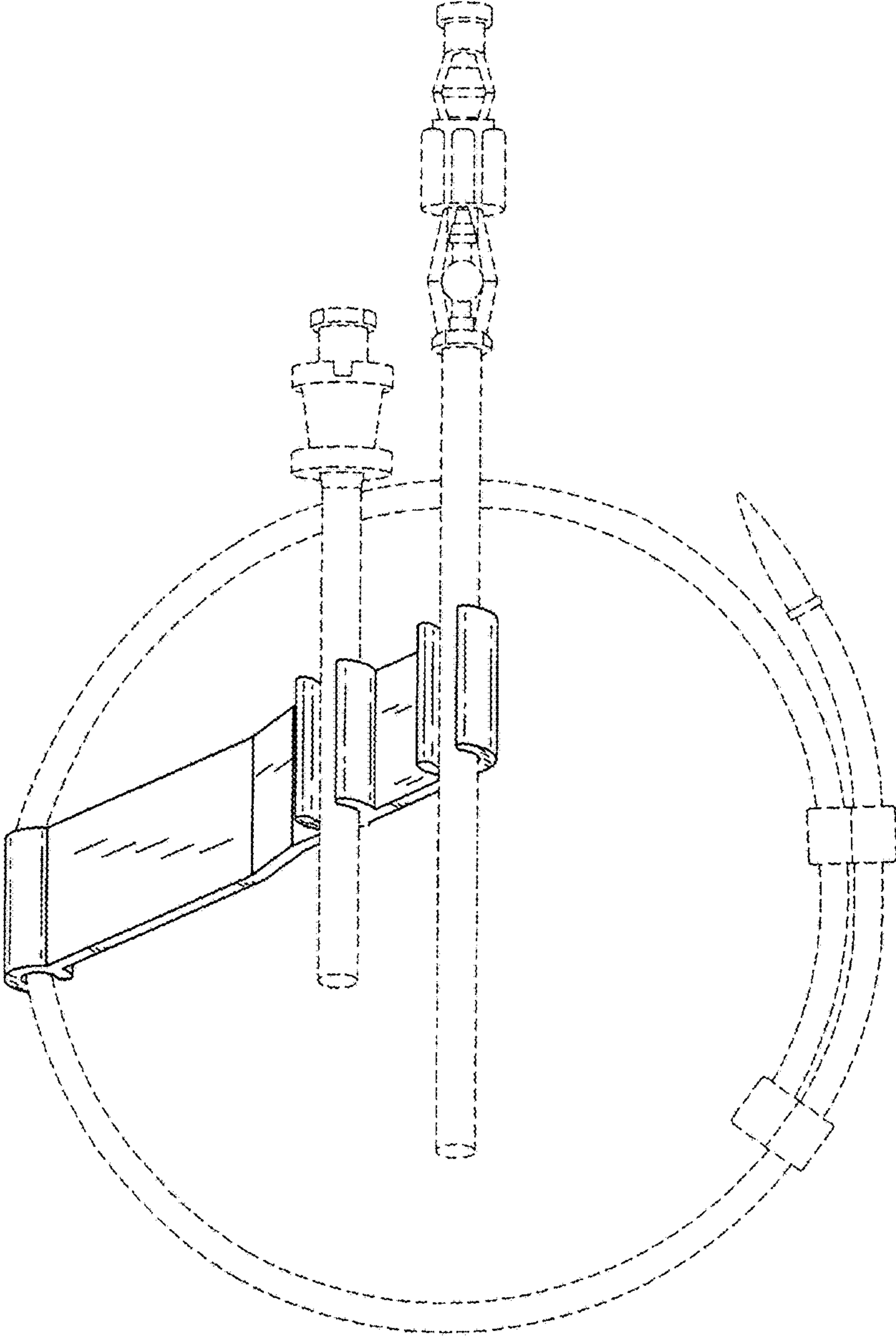


FIG. 8