



US00D847621S

(12) **United States Design Patent** (10) **Patent No.:** **US D847,621 S**
Kolar (45) **Date of Patent:** **** May 7, 2019**

(54) **BRACKET**

(71) Applicant: **KC TRADING, INC.**, San Francisco, CA (US)

(72) Inventor: **Jasmin Kolar**, Pfaffikon (CH)

(**) Term: **15 Years**

(21) Appl. No.: **35/504,593**

(22) Filed: **Feb. 26, 2018**

(80) **Hague Agreement Data**
 Int. Filing Date: **Feb. 26, 2018**
 Int. Reg. No.: **DM/100070**
 Int. Reg. Date: **Feb. 26, 2018**
 Int. Reg. Pub. Date: **Mar. 16, 2018**

(51) **LOC (11) Cl.** **08-05**

(52) **U.S. Cl.**
 USPC **D8/381; D8/349**

(58) **Field of Classification Search**
 USPC D8/349, 354, 373, 374, 380, 381, 382, D8/384, 400, 499
 CPC A47B 96/06
 See application file for complete search history.

(56) **References Cited**

U.S. PATENT DOCUMENTS

3,896,718 A * 7/1975 Giambalvo A47B 57/52
 108/108

D247,845 S * 5/1978 Palm, Jr. D8/352

D259,242 S * 5/1981 Gilb D8/373

D370,148 S * 5/1996 Maharg D6/574

D380,854 S * 7/1997 Bray D26/142

6,065,724 A * 5/2000 Arslan A47B 96/06
 211/187

D495,115 S * 8/2004 Washington D8/381

D495,850 S * 9/2004 Washington D8/381

D534,905 S * 1/2007 Sergi D14/238

D545,304 S * 6/2007 Sergi D14/238

D586,205 S * 2/2009 Robbins, III D8/380

D599,647 S * 9/2009 Cubides D8/373

D649,863 S * 12/2011 Meyer D8/354

D667,914 S * 9/2012 Storch D22/108

D679,574 S * 4/2013 Dotsey D8/354

D746,124 S * 12/2015 Toye D8/349

D758,169 S * 6/2016 Deleu D8/349

D764,894 S * 8/2016 Pernu D8/349

D782,281 S * 3/2017 Kuo D8/349

D796,303 S * 9/2017 Stultz D8/354

9,757,113 B2 * 9/2017 Pasquali A61B 17/0401

D803,804 S * 11/2017 Kott D13/183

D834,931 S * 12/2018 Ressler D8/382

2015/0211560 A1 * 7/2015 Rixen F16B 7/187
 403/188

* cited by examiner

Primary Examiner — Deanna L Pratt

(57) **CLAIM**

The ornamental design for a bracket, as shown and described.

DESCRIPTION

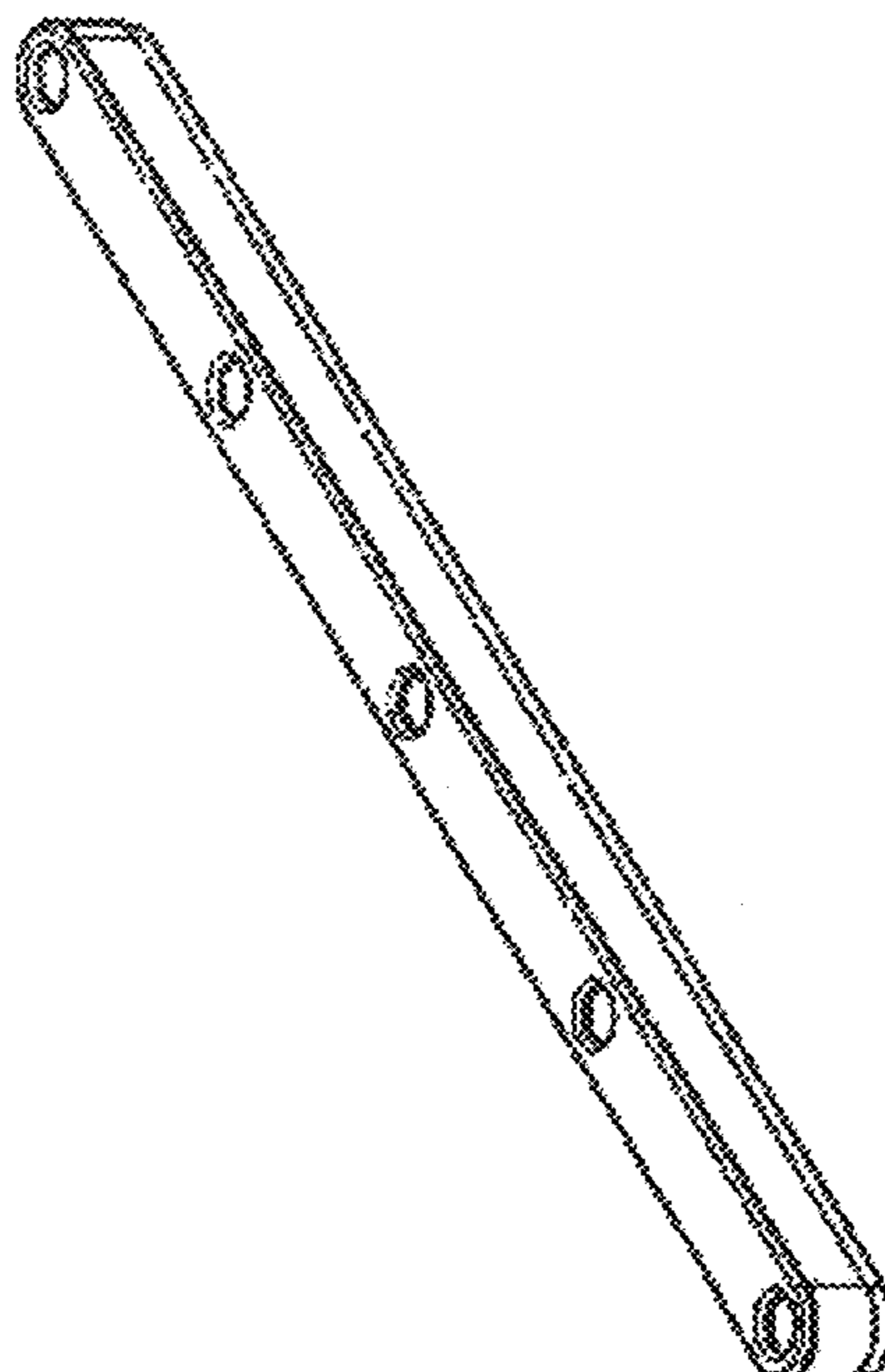
1. Bracket

1.1 is a perspective view.

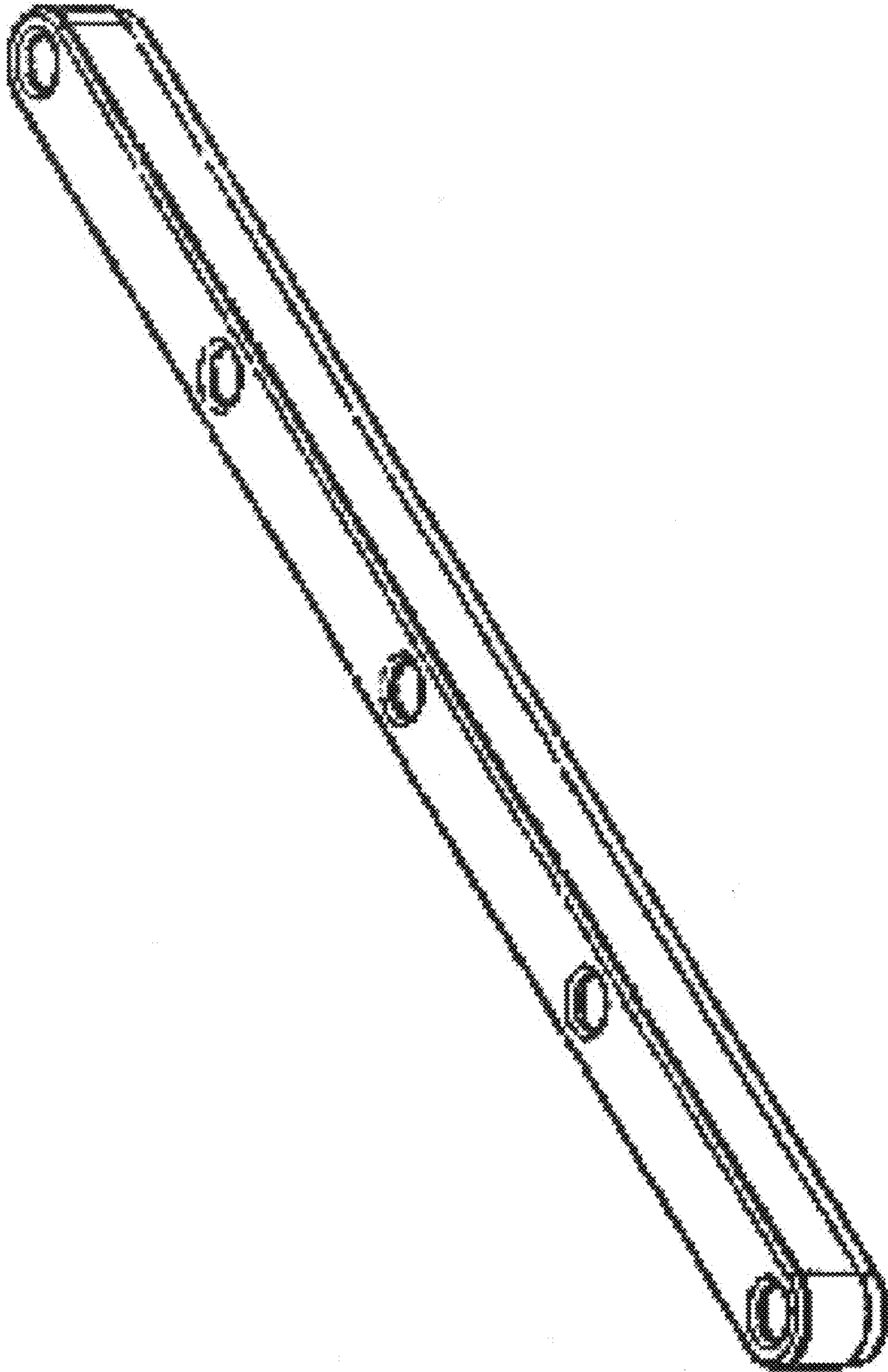
1.2 is a front view.

1.3 is a right side view.

The design consists of a three dimensional configuration of a shelf insert bracket with a design that is oblong in shape with five circles equally spaced in the central portion the design.

1 Claim, 3 Drawing Sheets

1.1



1.2



1.3

