



US00D847620S

(12) **United States Design Patent**  
**Umholtz et al.**

(10) **Patent No.:** **US D847,620 S**

(45) **Date of Patent:** **\*\* May 7, 2019**

(54) **SUCTION HOOK**

(71) Applicants: **Mason Adam Umholtz**, Brooklyn, NY (US); **Francois de Martrin-Donos**, Brooklyn, NY (US); **Kirsten Climer**, Brooklyn, NY (US); **Koby Trout**, Brooklyn, NY (US)

(72) Inventors: **Mason Adam Umholtz**, Brooklyn, NY (US); **Francois de Martrin-Donos**, Brooklyn, NY (US); **Kirsten Climer**, Brooklyn, NY (US); **Koby Trout**, Brooklyn, NY (US)

(73) Assignee: **HELEN OF TROY LIMITED**, St. Michael (BB)

(\*\*) Term: **15 Years**

(21) Appl. No.: **29/602,308**

(22) Filed: **Apr. 30, 2017**

(51) **LOC (11) Cl.** ..... **08-05**

(52) **U.S. Cl.**  
USPC ..... **D8/372**

(58) **Field of Classification Search**  
USPC ..... D08/363, 367, 372; D06/572  
CPC . A47H 1/00; A47H 1/10; A47H 1/102; A47H 1/13; A47G 1/16; A47G 1/17; F16B 45/00; F16B 47/00

See application file for complete search history.

(56) **References Cited**

**U.S. PATENT DOCUMENTS**

D233,823 S *	12/1974	Langlie et al.	174/158 F
D243,153 S *	1/1977	Solomon	D8/363
D316,647 S *	5/1991	Mentzer	D6/534
D338,613 S *	8/1993	Hoover	D8/317
D416,139 S *	11/1999	Roth	D6/323

D426,390 S *	6/2000	Green	D6/323
D438,715 S *	3/2001	Milrud	D6/323
D453,271 S *	2/2002	Gilbert	D6/323
D464,812 S *	10/2002	Yen	D6/323
D465,661 S *	11/2002	Hoernig	D6/323
D499,329 S *	12/2004	Suero, Jr.	D8/372
D603,246 S *	11/2009	Snell	D8/367
9,746,022 B2 *	8/2017	Shi	F16B 47/00

**OTHER PUBLICATIONS**

DYJ Suction Cup Hooks Holder—Super Strong Suction Cup Hook, posted 2018, [retrieved Mar. 27, 2018]. Retrieved from Internet, <URL: [http://www.andtrade.top/index.php?main\\_page=product\\_info&products\\_id=5067](http://www.andtrade.top/index.php?main_page=product_info&products_id=5067) >.\*  
Residential Essentials Bradford 2-Hook Venetian Bronze Towel Hook, posted Dec. 11, 2013, [retrieved Mar. 27, 2018]. Retrieved from Internet, <URL: <https://www.lowes.com/pd/Residential-Essentials-Bradford-2-Hook-Venetian-Bronze-Towel-Hook/4684597> >.\*

(Continued)

*Primary Examiner* — Barbara Fox  
*Assistant Examiner* — Kristin E Reed

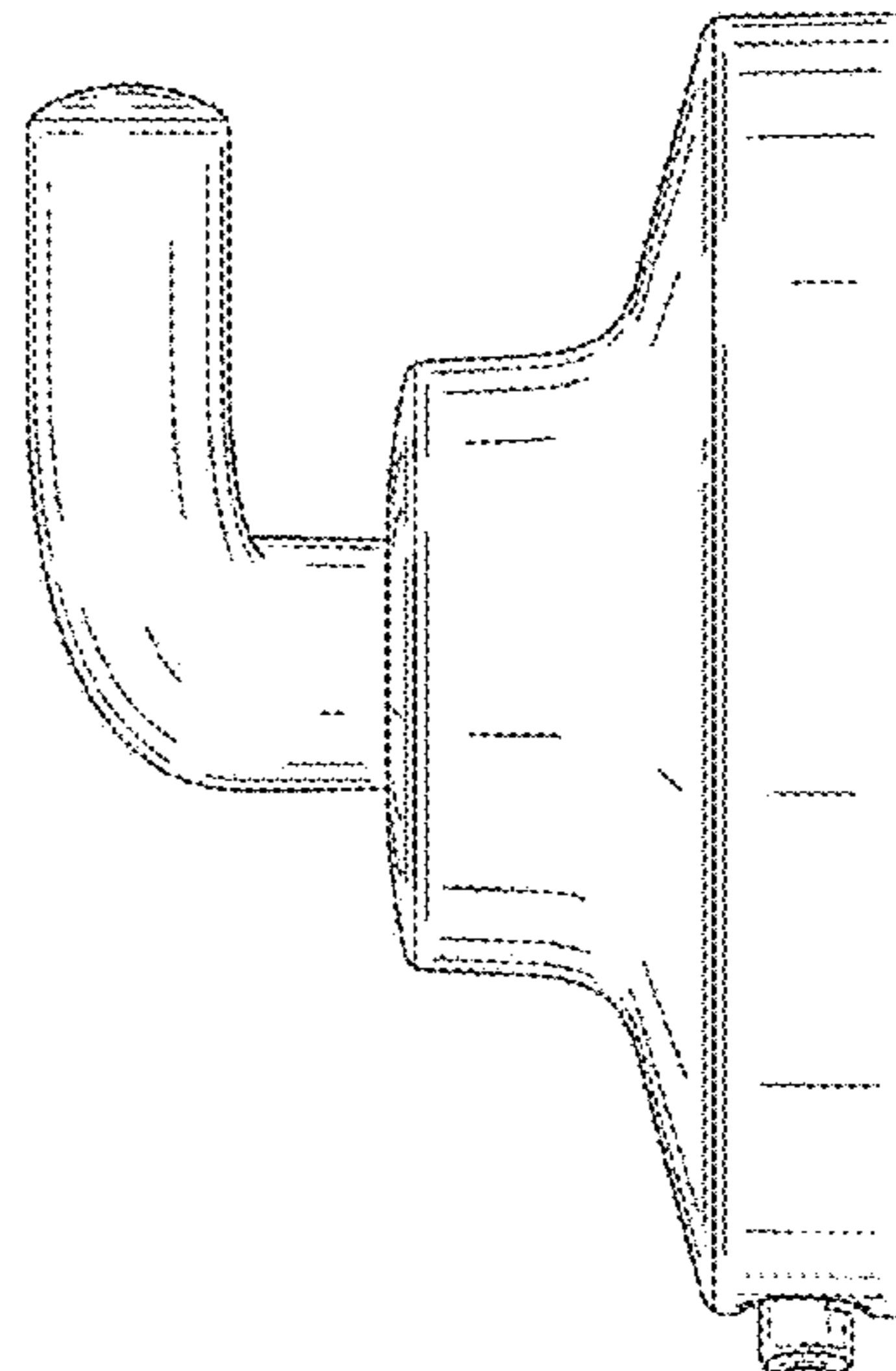
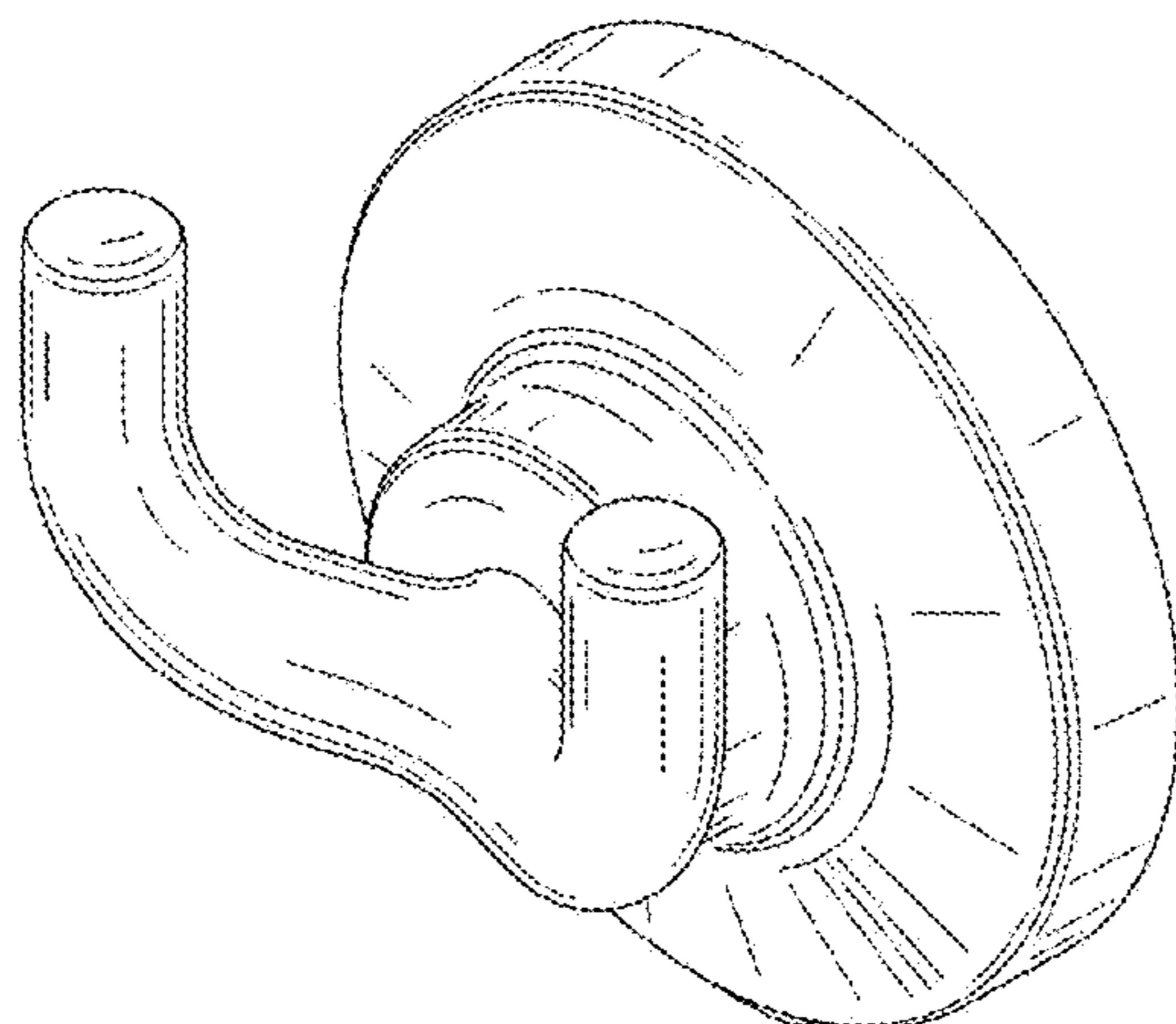
(57) **CLAIM**

The ornamental design for a suction hook, as shown and described.

**DESCRIPTION**

FIG. 1 is a perspective view of a suction hook showing our new design;  
FIG. 2 is a front view thereof;  
FIG. 3 is a rear view thereof;  
FIG. 4 is a side view thereof;  
FIG. 5 is a top view thereof; and,  
FIG. 6 is a bottom view thereof.  
The broken lines shown in the drawings depict portions of the suction hook and form no part of the claimed design.

**1 Claim, 6 Drawing Sheets**



(56)

**References Cited**

## OTHER PUBLICATIONS

Ponte Giulio USA 2-Hook Glossy Ivory Towel Hook, posted unknown, [retrieved Mar. 27, 2018]. Retrieved from Internet, <URL: <https://www.lowes.com/pd/Ponte-Giulio-USA-2-Hook-Glossy-Ivory-Towel-Hook/1000006892> >.\*

Gatco Tavern 2-Hook Bronze Towel Hook, posted unknown, [retrieved Mar. 27, 2018]. Retrieved from Internet, <URL: <https://www.lowes.com/pd/Gatco-Tavern-2-Hook-Bronze-Towel-Hook/1000059739> >.\*

Brighton Chrome Double Robe Hook—Moen 303CH, posted 2006, [retrieved Apr. 2, 2018]. Retrieved from Internet, <URL: <https://www.mrgrabbar.com/BRIGHTON-CHROME-DOUBLE-ROBE-HOOK-303CH-p/303ch.htm> >.\*

Contemporary I Double Robe Hook A8384, posted 2016, [retrieved Apr. 2, 2018]. Retrieved from Internet, <URL: <http://alnoinc.com/product/contemporary-i-a8384/> >.\*

Seasons® Sardinia™ Polished Chrome Double Robe Hook, posted unknown, [retrieved Apr. 2, 2018]. Retrieved from Internet, <URL: <https://hdsupplysolutions.com/shop/p/seasons%C2%AE-sardinia%E2%84%A2-polished-chrome-double-robe-hook-p514674> >.\*

Double Robe Hook in Satin Nickel Finish, posted unknown, [retrieved Apr. 2, 2018]. Retrieved from Internet, <URL: [https://www.houzz.com/product/78776295-double-robe-hook-in-satin-nickel-finish-cabinet-and-drawer-handle-pulls?m\\_refid=SHZ\\_HZ\\_78776295](https://www.houzz.com/product/78776295-double-robe-hook-in-satin-nickel-finish-cabinet-and-drawer-handle-pulls?m_refid=SHZ_HZ_78776295) >.\*

\* cited by examiner

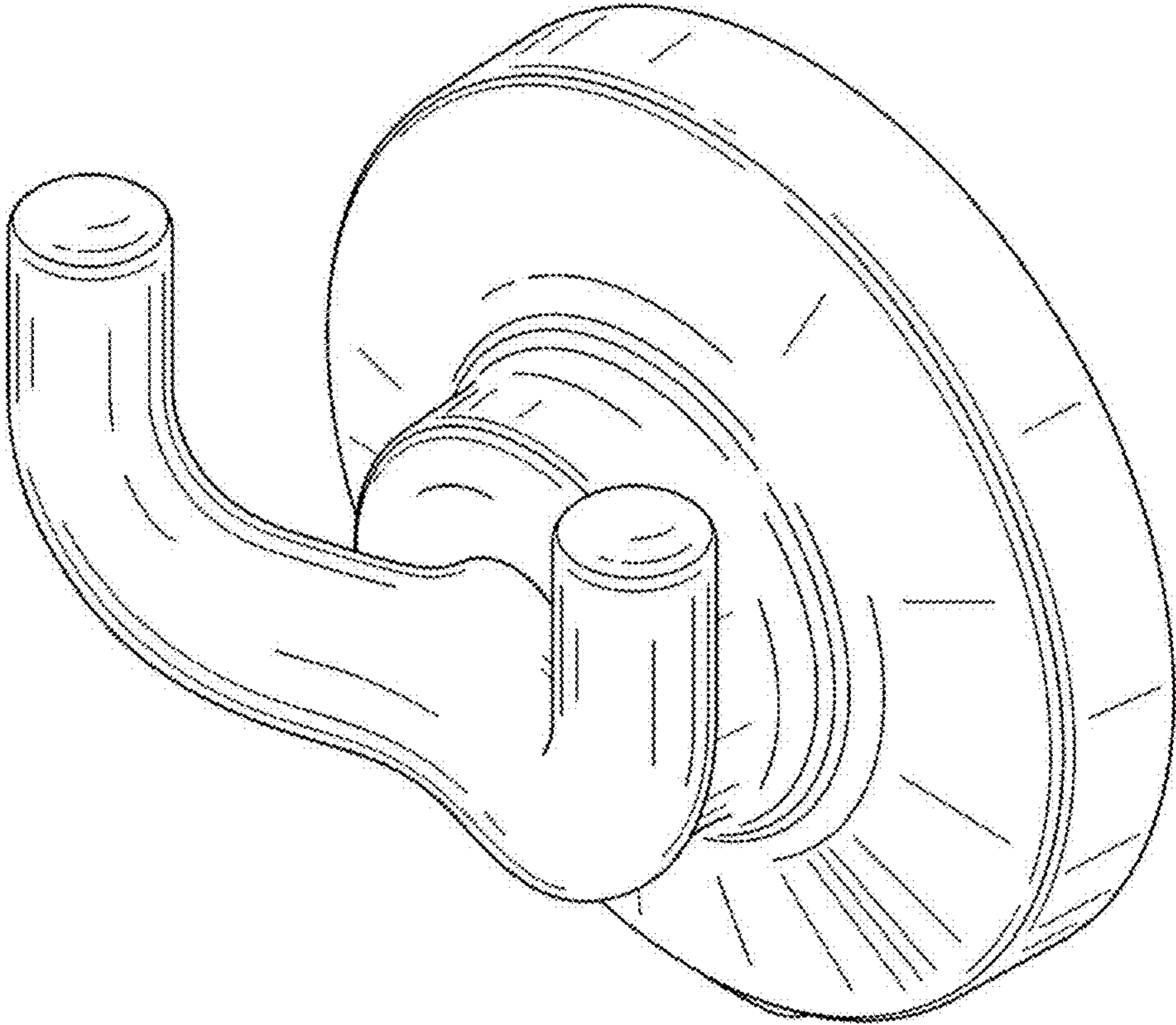


FIG. 1

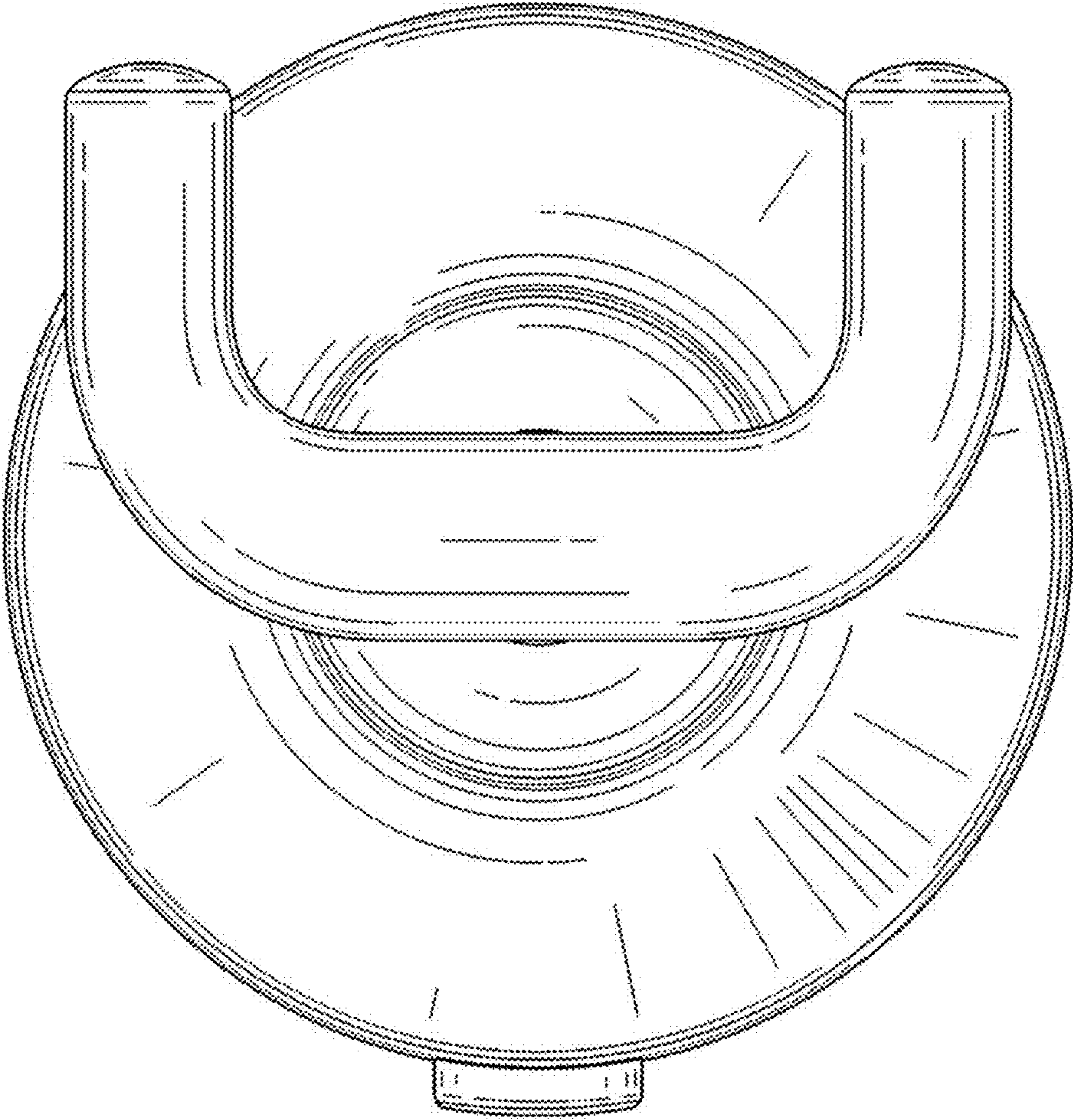


FIG. 2

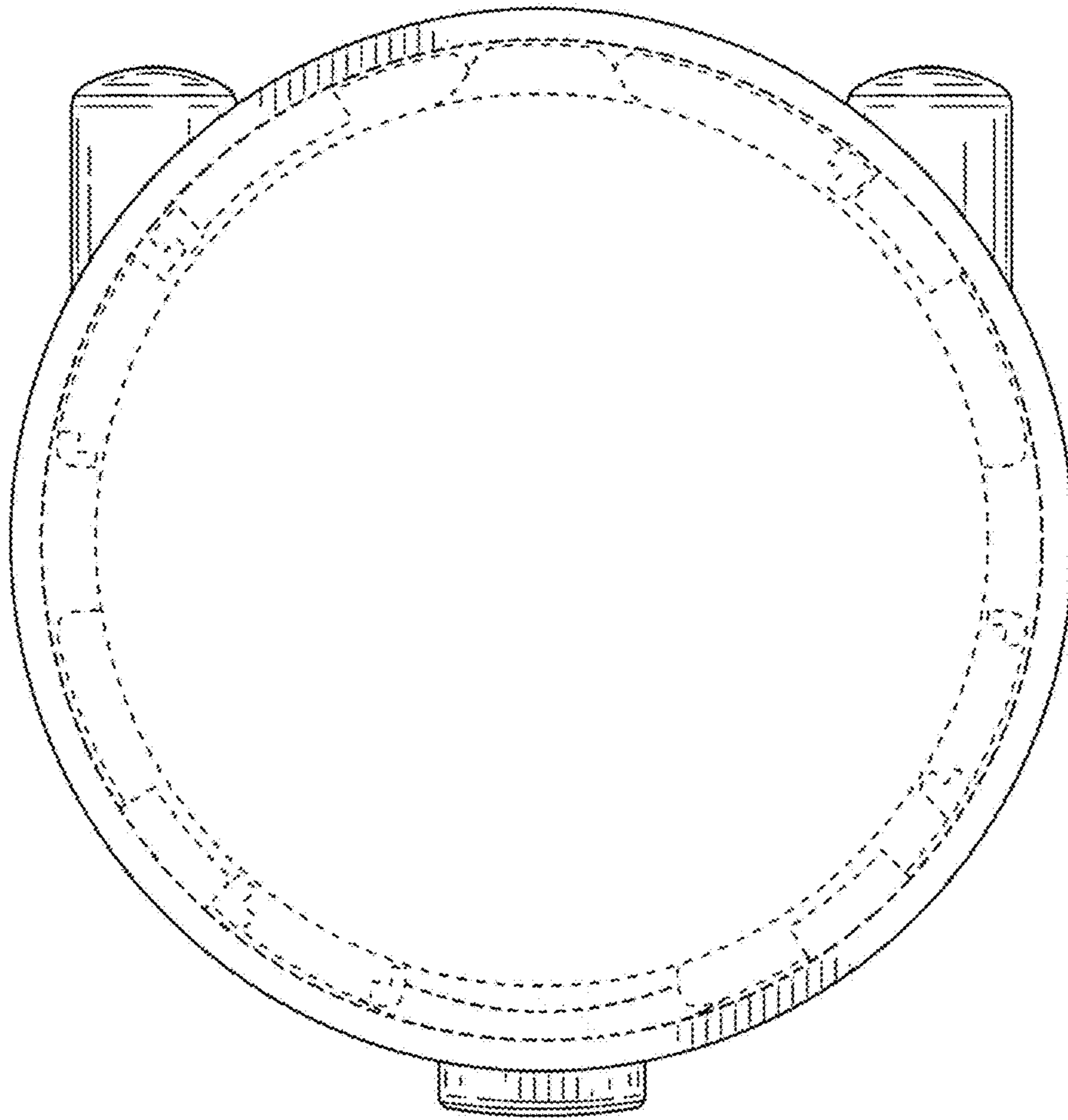


FIG. 3

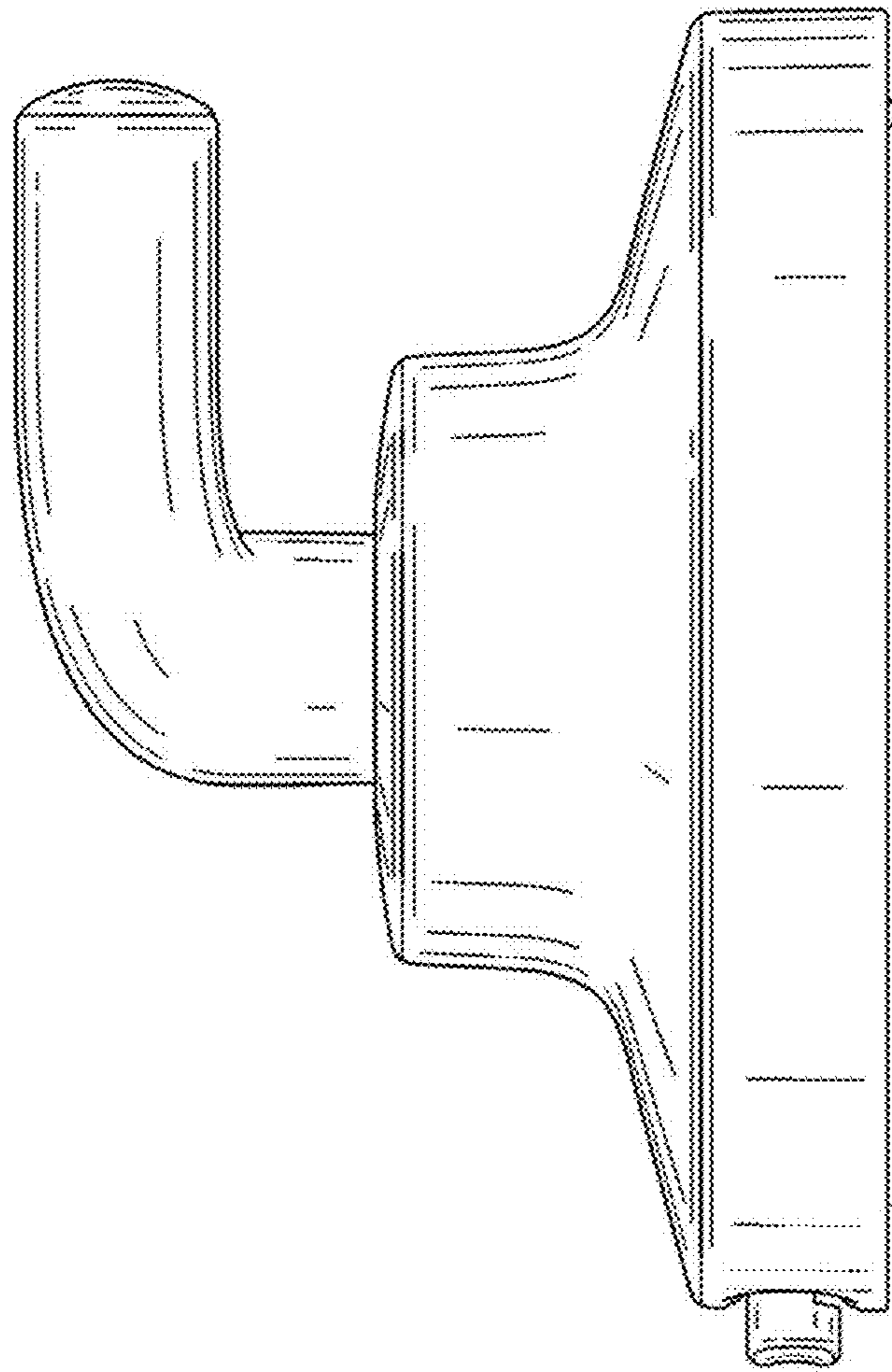


FIG. 4

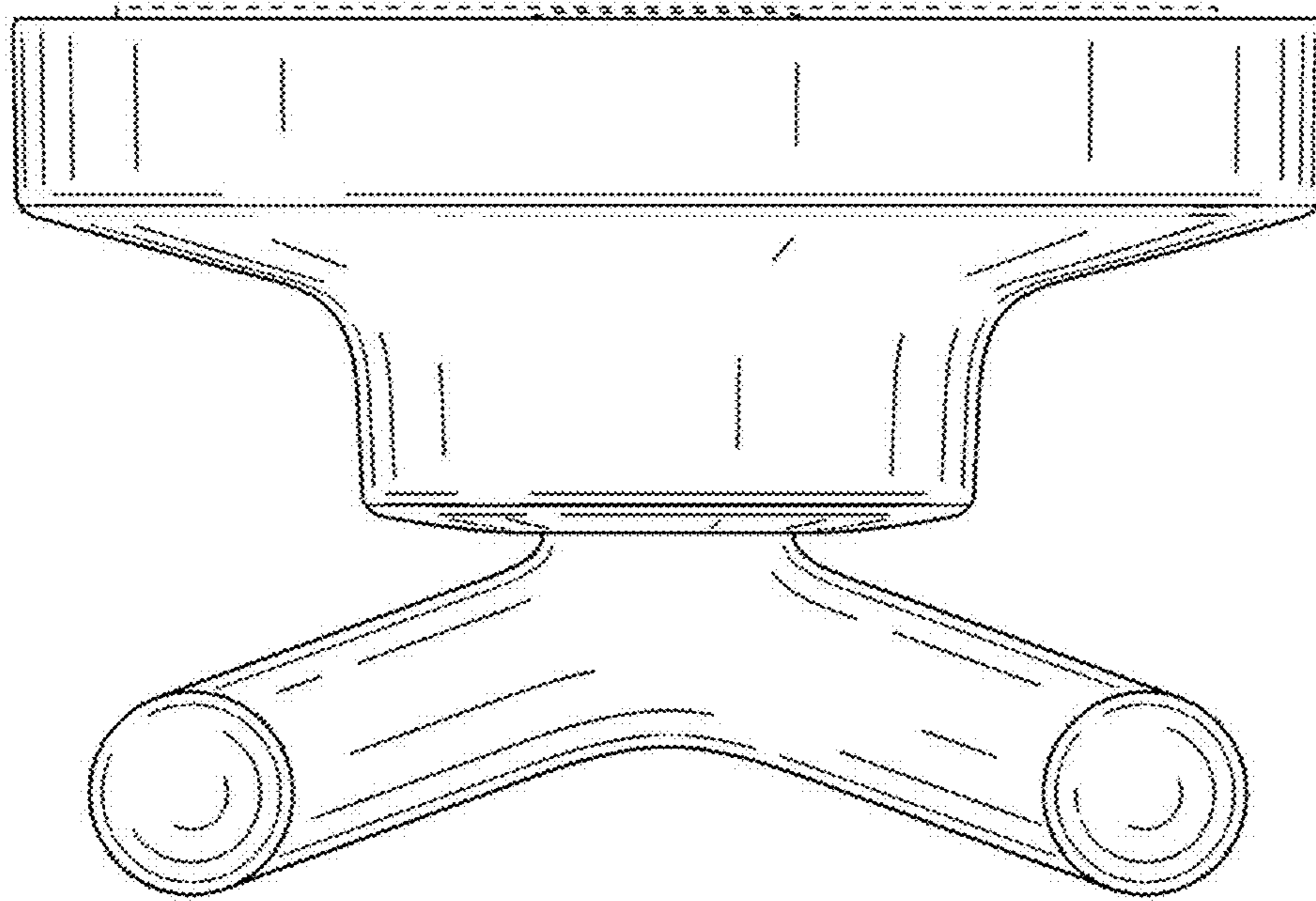


FIG. 5

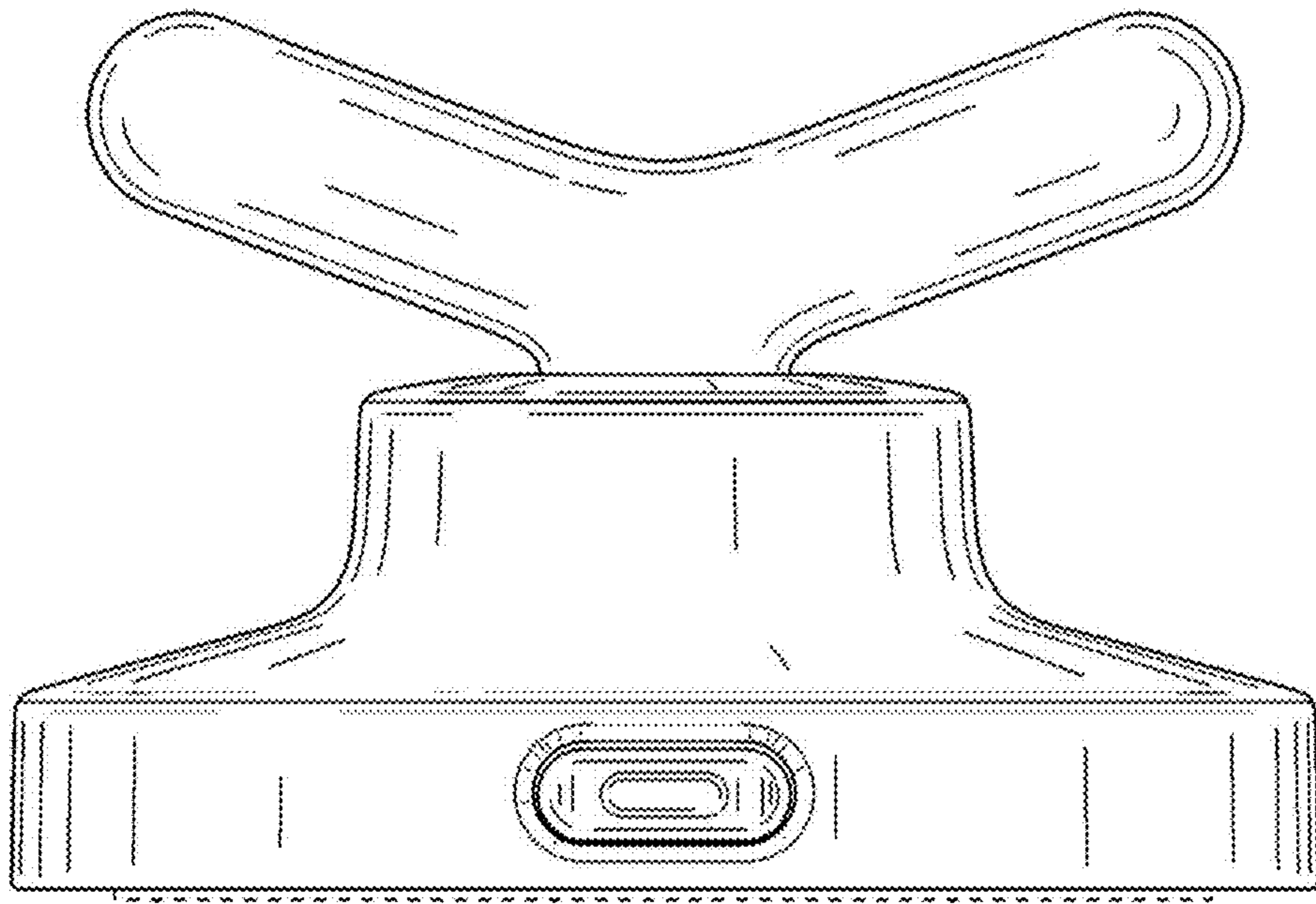


FIG. 6