



US00D847619S

(12) **United States Design Patent**  
**Farahani**

(10) **Patent No.:** **US D847,619 S**

(45) **Date of Patent:** **\*\* May 7, 2019**

(54) **PORTABLE COLLAPSIBLE HOOK DEVICE**

(71) Applicant: **Sheila Farahani**, Austin, TX (US)

(72) Inventor: **Sheila Farahani**, Austin, TX (US)

(\*\*) Term: **15 Years**

(21) Appl. No.: **29/647,619**

(22) Filed: **May 15, 2018**

(51) **LOC (11) Cl.** ..... **08-05**

(52) **U.S. Cl.**  
USPC ..... **D8/367**

(58) **Field of Classification Search**  
USPC ..... D8/367, 354, 18, 105, 356, 368, 394;  
D11/208, 218; 248/341  
CPC ..... F16M 13/02; A44B 13/0029; A45F 5/021;  
A45F 5/02; F16B 45/00  
See application file for complete search history.

(56) **References Cited**

**U.S. PATENT DOCUMENTS**

D91,344 S *	1/1934	Baer	.....	D11/13
D251,902 S *	5/1979	Dosmann, Sr.	.....	D34/31
D267,605 S *	1/1983	Peabody	.....	D8/367
4,765,667 A *	8/1988	Hamrin	.....	B66C 1/36 294/82.2
D327,000 S *	6/1992	Johnson, Jr.	.....	D8/367
D333,901 S *	3/1993	Swartz	.....	D34/28
D374,168 S *	10/1996	Protz, Jr.	.....	D8/367
D375,889 S *	11/1996	Miller	.....	D8/367
D384,269 S *	9/1997	Jones	.....	D8/367
5,664,304 A *	9/1997	Tambornino	.....	B66C 1/36 24/370
D482,263 S *	11/2003	Smith	.....	D8/367

D505,315 S *	5/2005	Snell	.....	D8/367
D525,861 S *	8/2006	Mackey	.....	D8/367
D566,533 S *	4/2008	Frank	.....	D8/367
D573,875 S *	7/2008	Anderson	.....	D8/367
8,136,781 B2 *	3/2012	Krohmer	.....	B05B 13/02 248/294.1
D758,235 S *	6/2016	Miller	.....	D11/13

\* cited by examiner

*Primary Examiner* — Cynthia R Underwood

(74) *Attorney, Agent, or Firm* — Hulsey PC

(57) **CLAIM**

The ornamental design for a portable collapsible hook device extended from the metal magnetic frame, all integrated and constructed to form a single structure, as shown and described.

**DESCRIPTION**

FIG. 1 is a perspective view of a portable collapsible hook device in an open position, showing my new design.

FIG. 2 is a left plan view thereof;

FIG. 3 is a right plan view thereof;

FIG. 4 is a front elevation view thereof.

FIG. 5 is a back elevation view thereof.

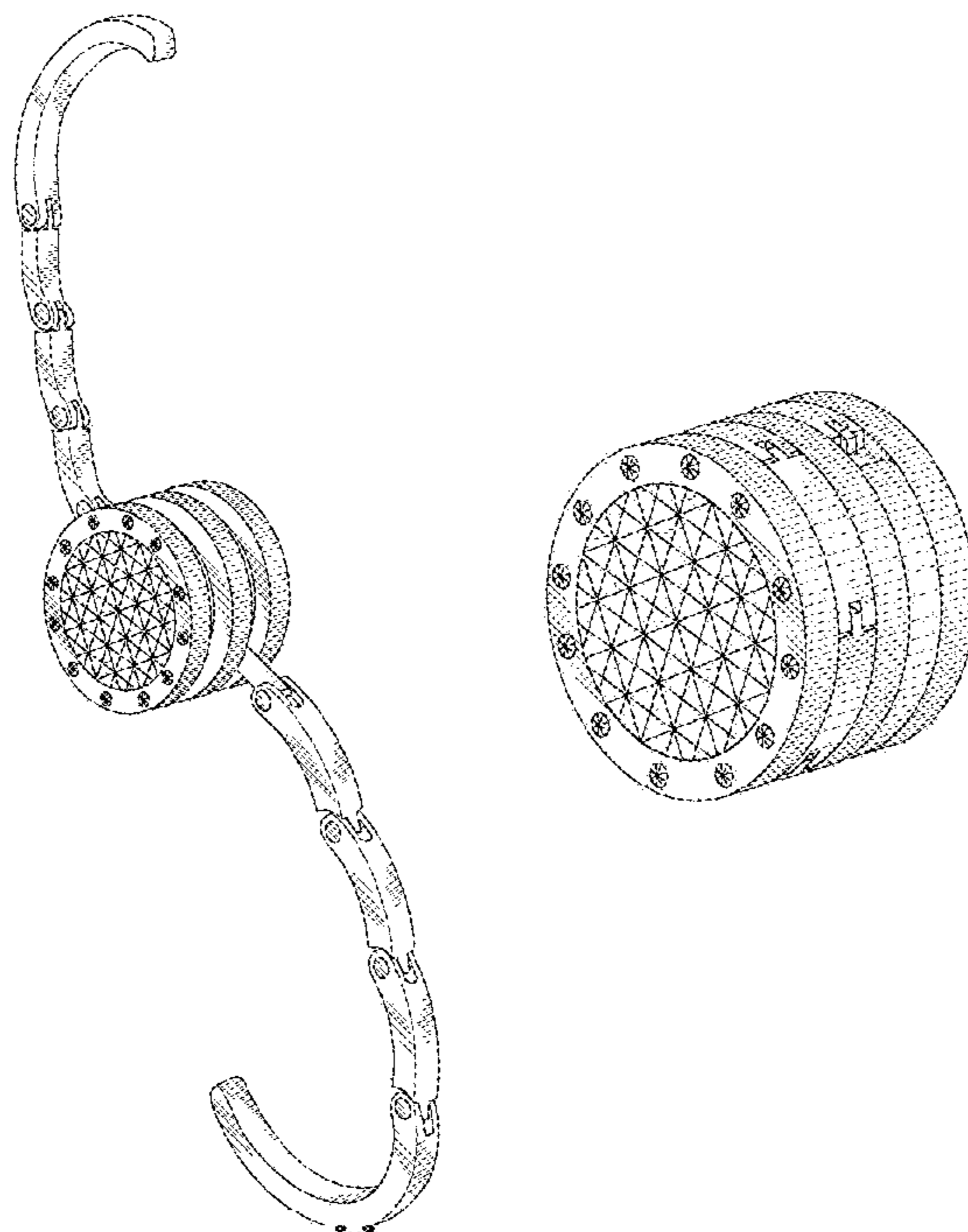
FIG. 6 is a top elevation view thereof.

FIG. 7 is a bottom elevation view thereof.

FIG. 8 is an alternate perspective view, shown in a closed position thereof; and,

FIG. 9 is an alternate front elevation view, shown in a closed position thereof.

**1 Claim, 5 Drawing Sheets**



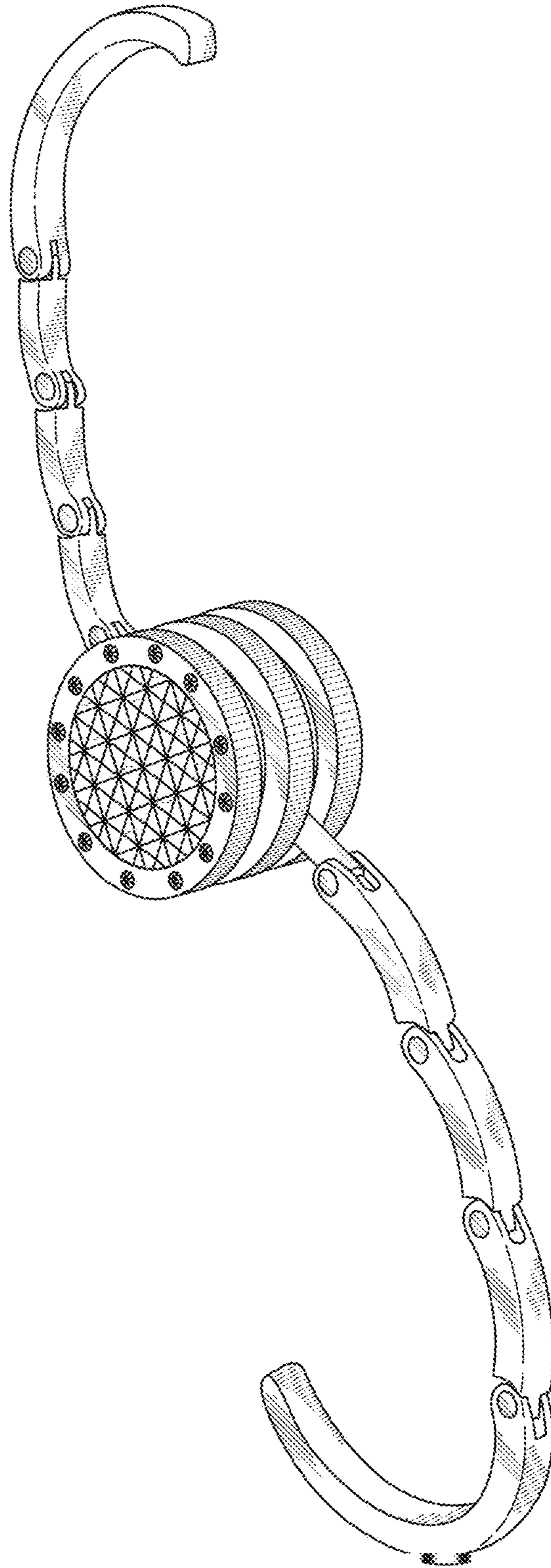
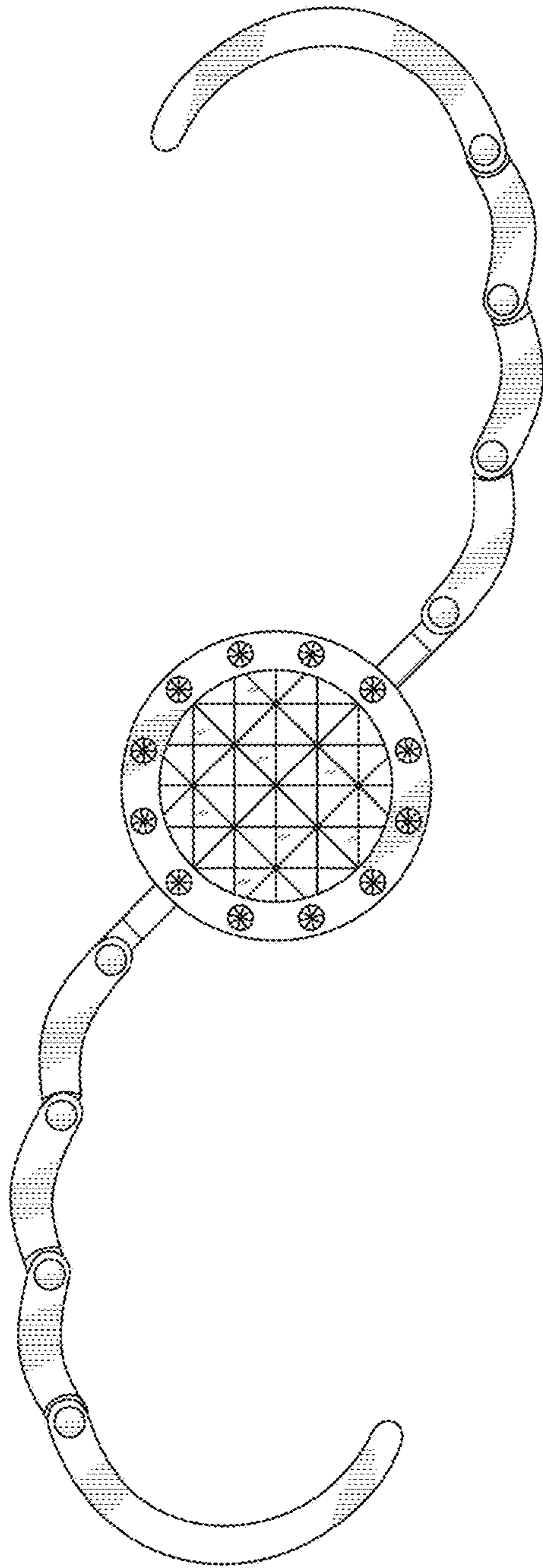
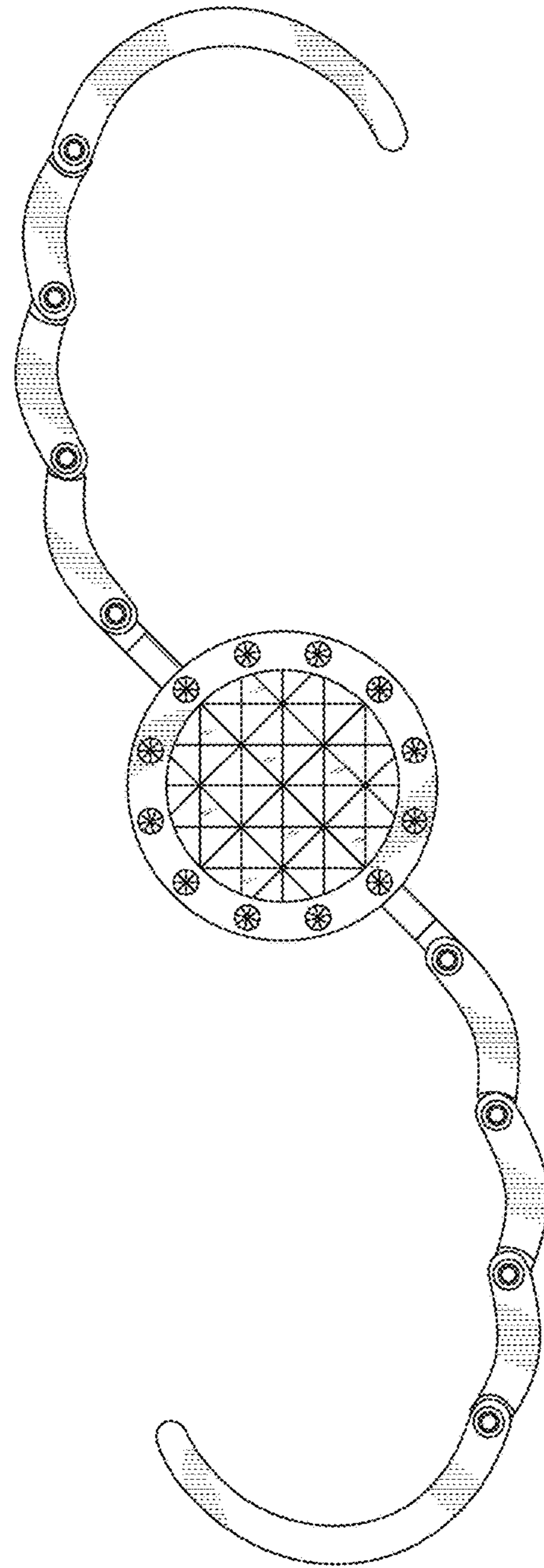


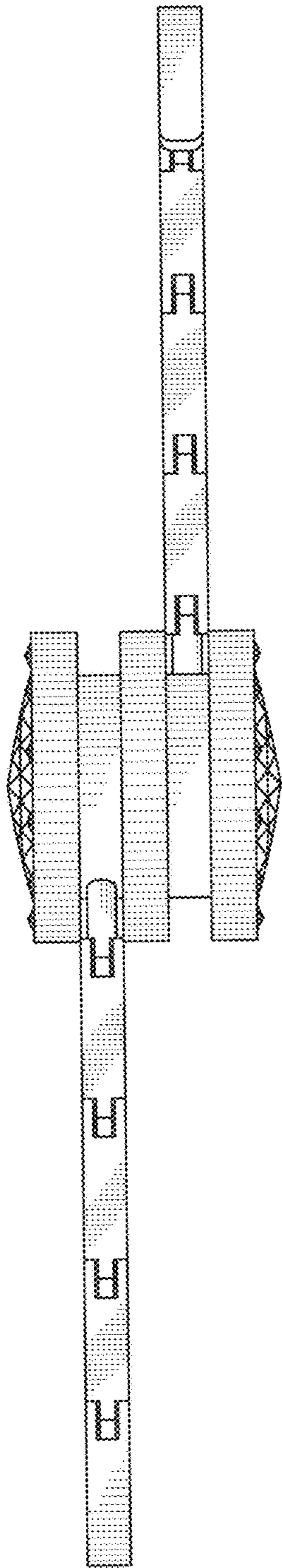
FIG. 1



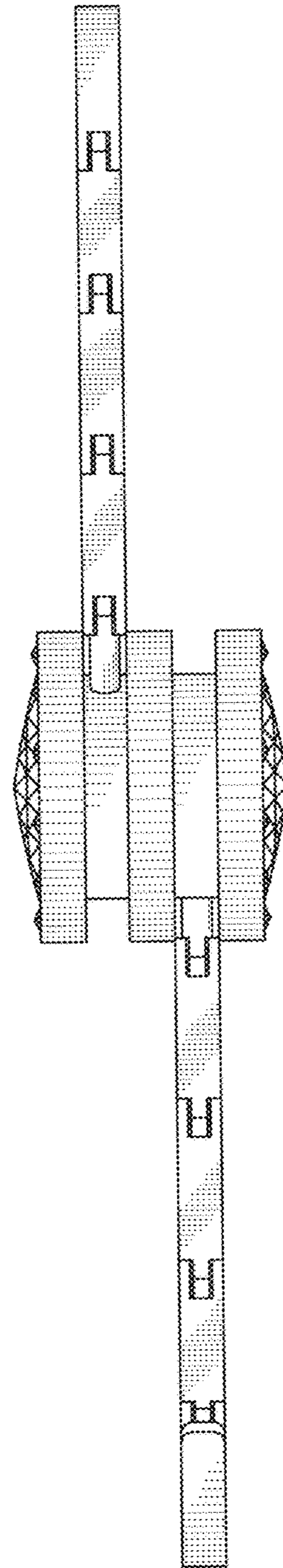
**FIG. 2**  
**LEFT**



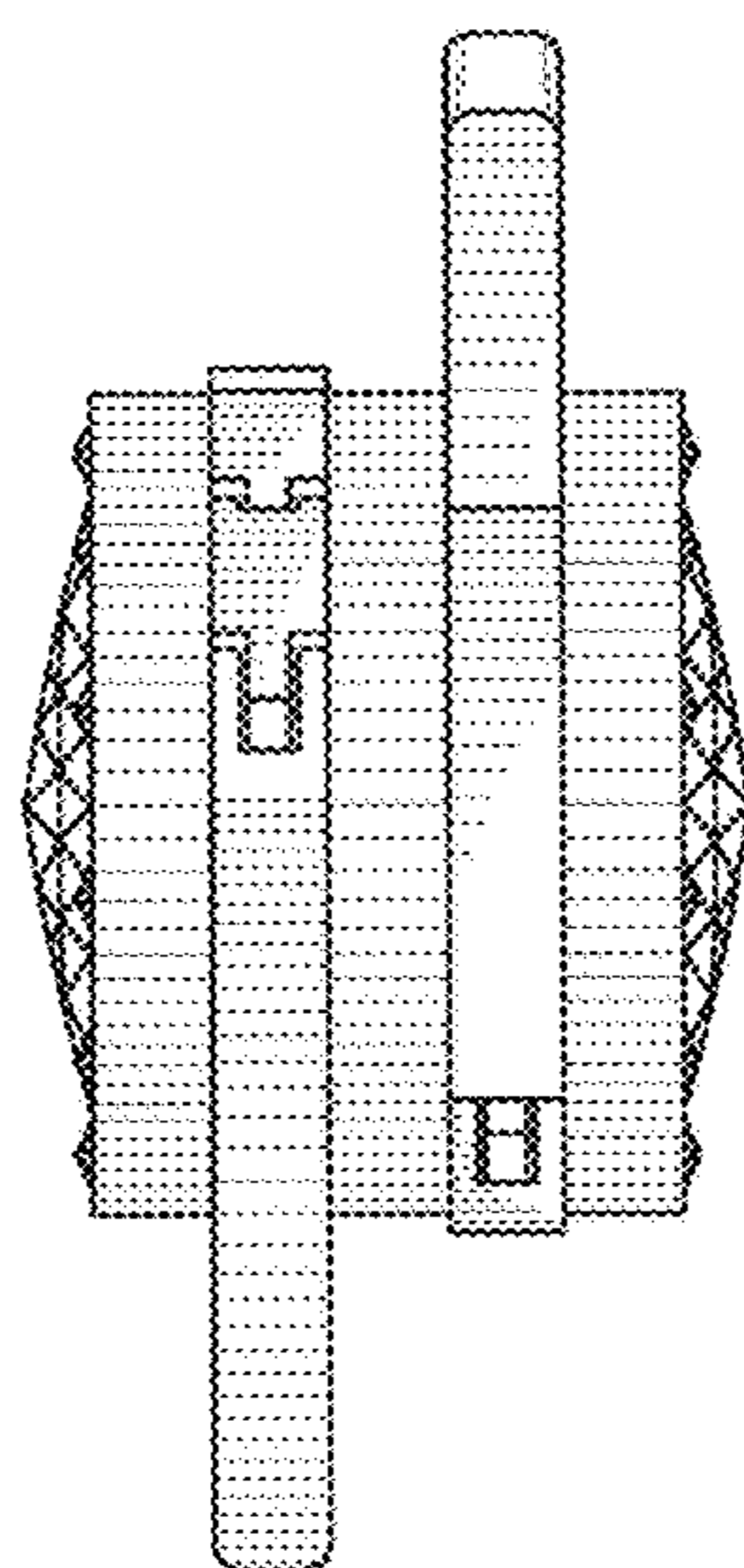
**FIG. 3**  
**RIGHT**



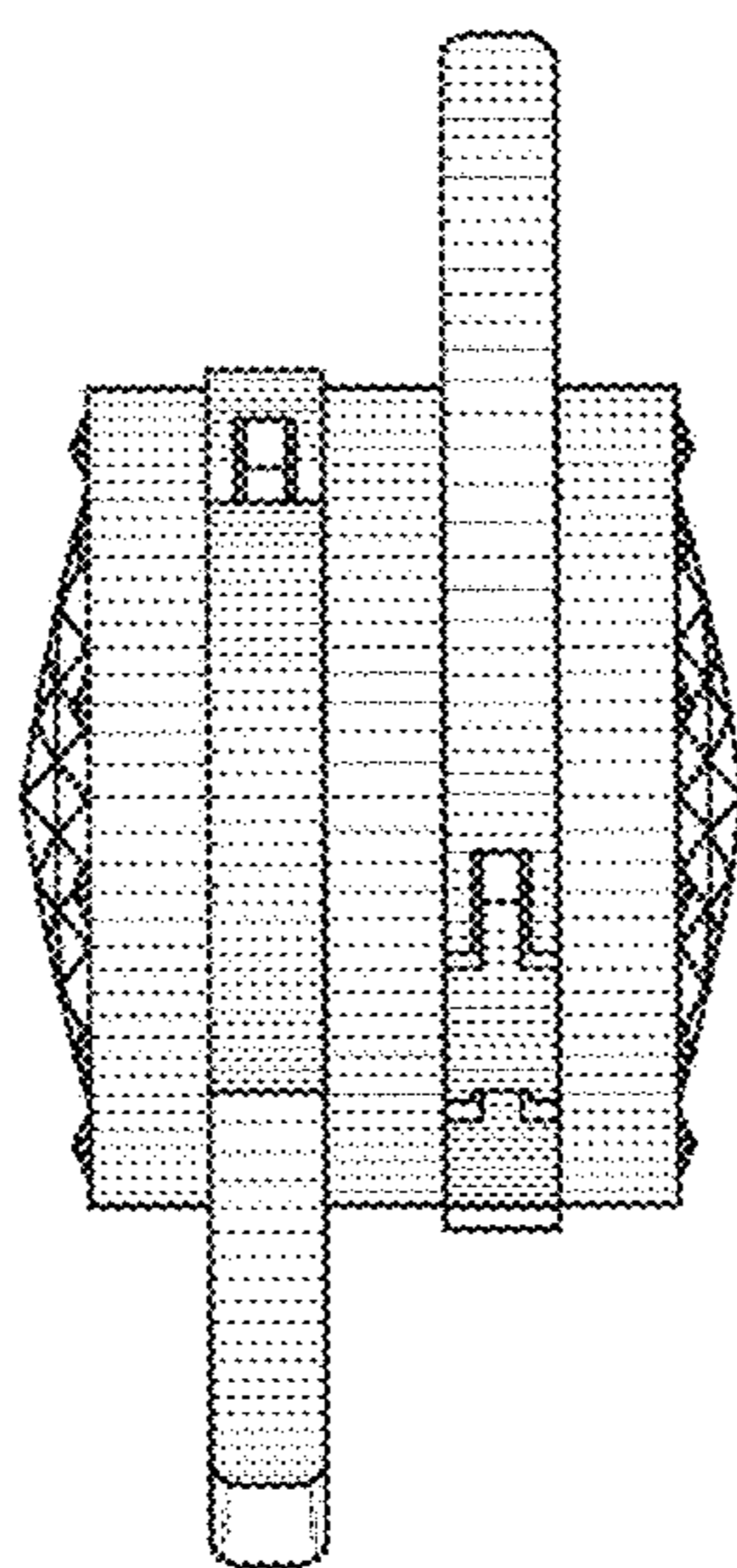
**FIG. 4**  
**FRONT**



**FIG. 5**  
**BACK**



**FIG. 6**  
**TOP**



**FIG. 7**  
**BOTTOM**

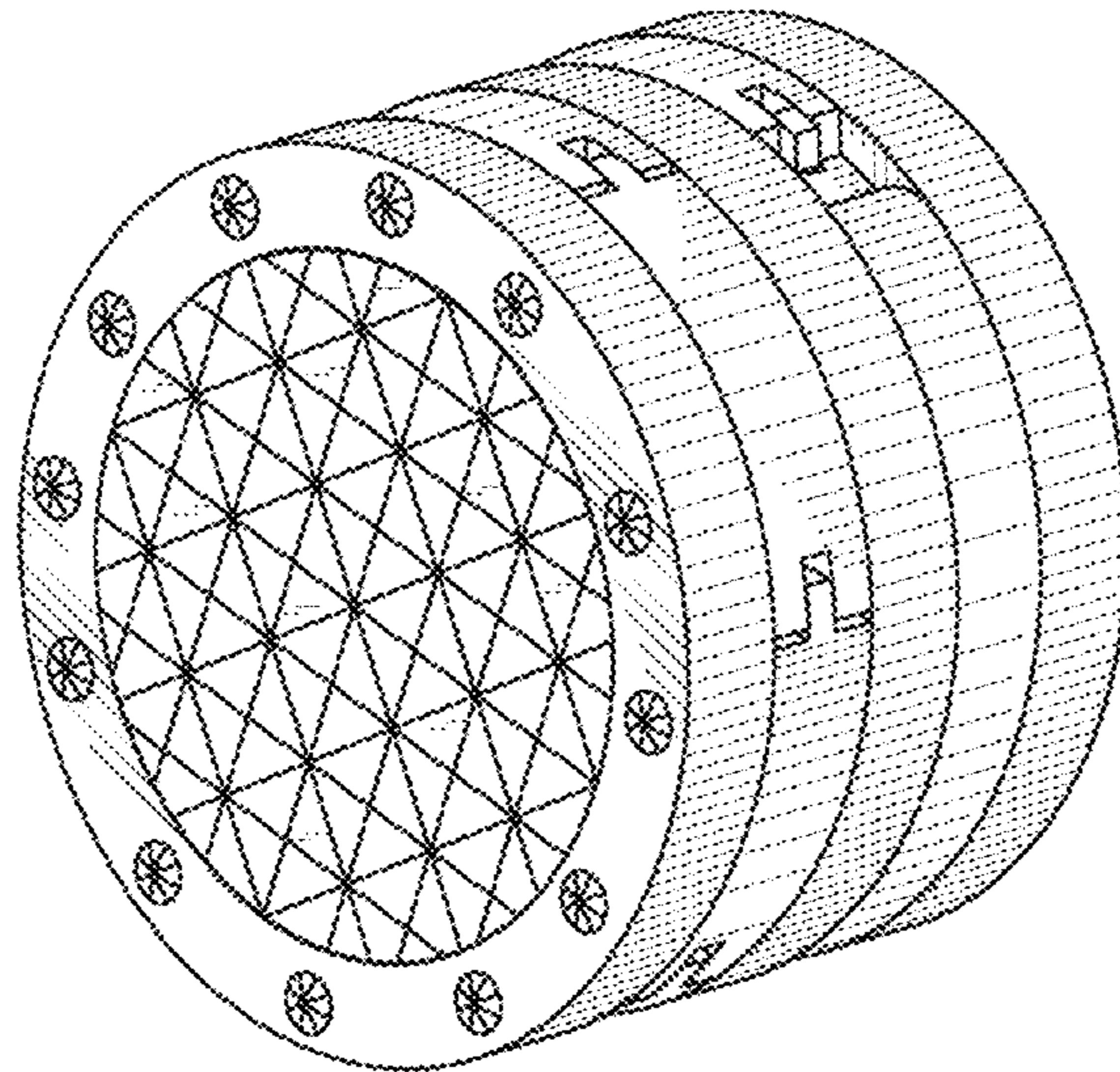


FIG. 8

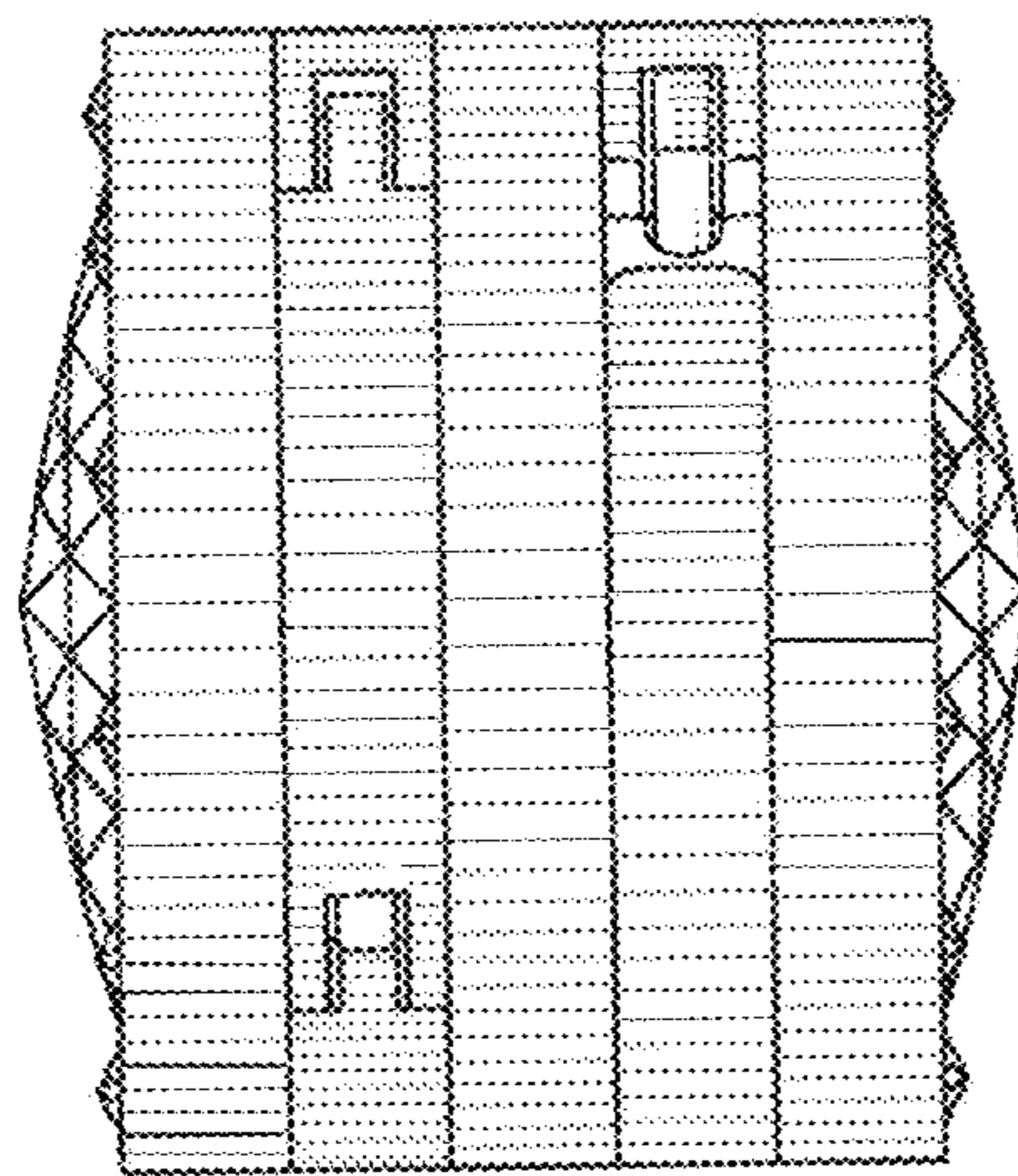


FIG. 9