



US00D847616S

(12) **United States Design Patent** (10) **Patent No.:** **US D847,616 S**
Spater (45) **Date of Patent:** **** May 7, 2019**

(54) **J-HOOK**
(71) Applicant: **Christopher Spater**, Burlington, VT (US)
(72) Inventor: **Christopher Spater**, Burlington, VT (US)
(**) Term: **15 Years**
(21) Appl. No.: **29/636,571**
(22) Filed: **Feb. 9, 2018**
(51) **LOC (11) Cl.** **08-05**
(52) **U.S. Cl.**
USPC **D8/367**
(58) **Field of Classification Search**
USPC D8/367, 354, 18, 105, 356; D11/208, D11/218
CPC F16M 13/02; A44B 13/0029; A45F 5/021; A45F 5/02
See application file for complete search history.

D521,362 S 5/2006 Kelleghan
D577,574 S 9/2008 Liang
D595,119 S 6/2009 Kelleghan
D598,732 S 8/2009 Bizzell
D608,187 S 1/2010 Baron
D623,030 S * 9/2010 Spater D8/16
D625,988 S 10/2010 Chan
D626,393 S 11/2010 Ormsbee
D646,556 S 10/2011 Kelleghan
D670,902 S 11/2012 McSweyn
D698,626 S 2/2014 Ormsbee
D698,636 S 2/2014 Weinberg
D702,110 S * 4/2014 Gobbi D8/356
D729,513 S 5/2015 Jiang
D729,619 S * 5/2015 Cherin D8/394
D743,778 S 11/2015 Huang
9,255,602 B2 2/2016 Liang
D755,612 S 5/2016 Cooper
D765,495 S * 9/2016 Schmid D8/356
D766,071 S * 9/2016 Spater D8/356
D772,029 S * 11/2016 Spater D8/18
D784,798 S 4/2017 Logsdon
D801,156 S 10/2017 Hung
D801,599 S * 10/2017 Macca D30/199
D802,400 S 11/2017 Ma

(Continued)

Primary Examiner — Cynthia R Underwood

(56) **References Cited**
U.S. PATENT DOCUMENTS

582,780 A 5/1897 Eldeidge
2,010,733 A 5/1935 Netz
D175,302 S 8/1955 Gale
4,095,316 A 6/1978 Gabriel
D271,465 S 11/1983 Boissonnet
D281,483 S 11/1985 Faidide
D282,904 S 3/1986 Faidide
5,538,303 A 7/1996 Dunham
5,913,479 A 6/1999 Westwood, III
D444,052 S 6/2001 Catlett
D444,685 S 7/2001 Shenkel
D455,642 S 4/2002 Kelleghan
D468,997 S 1/2003 Chang
6,601,274 B2 8/2003 Gartsbeyn
D485,431 S 1/2004 Hsu

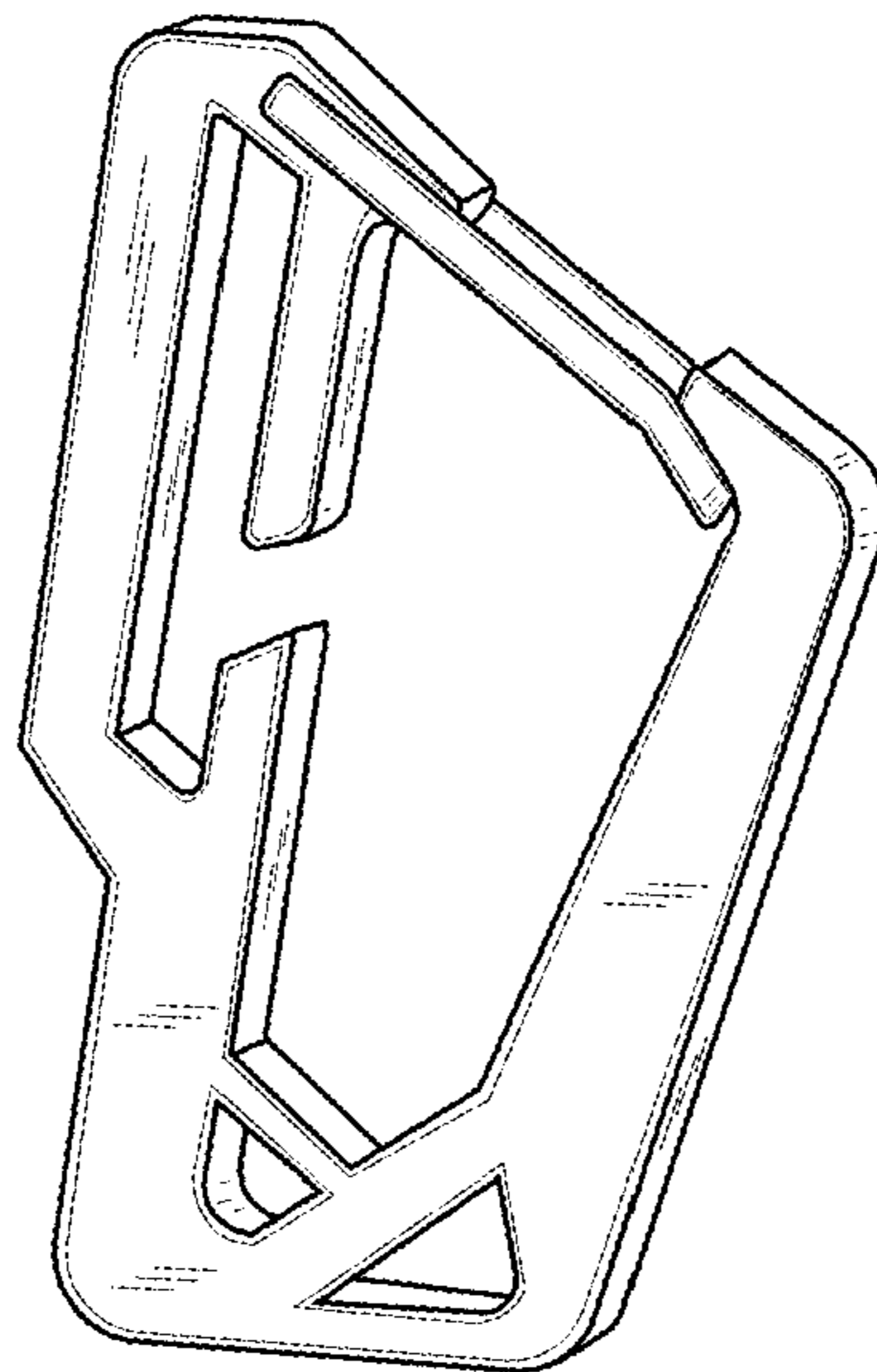
(57) **CLAIM**

The ornamental design for a J-hook, as shown and described.

DESCRIPTION

FIG. 1 shows a perspective view of my design for a J-hook; FIG. 2 is a front view thereof; FIG. 3 is a back view thereof; FIG. 4 is a top view thereof; FIG. 5 is a bottom view thereof; FIG. 6 is a side view thereof; and, FIG. 7 is another side view thereof.

1 Claim, 2 Drawing Sheets



(56)

References Cited

U.S. PATENT DOCUMENTS

D808,240 S *	1/2018	Kelleghan	D8/105
D818,391 S *	5/2018	Chang	D11/208
D818,392 S *	5/2018	Chang	D11/218
D821,090 S *	6/2018	Case	D3/207
2002/0050032 A1 *	5/2002	Carnall	F16B 45/02 24/600.2
2009/0000086 A1 *	1/2009	Bing	F16B 45/06 24/592.11

* cited by examiner

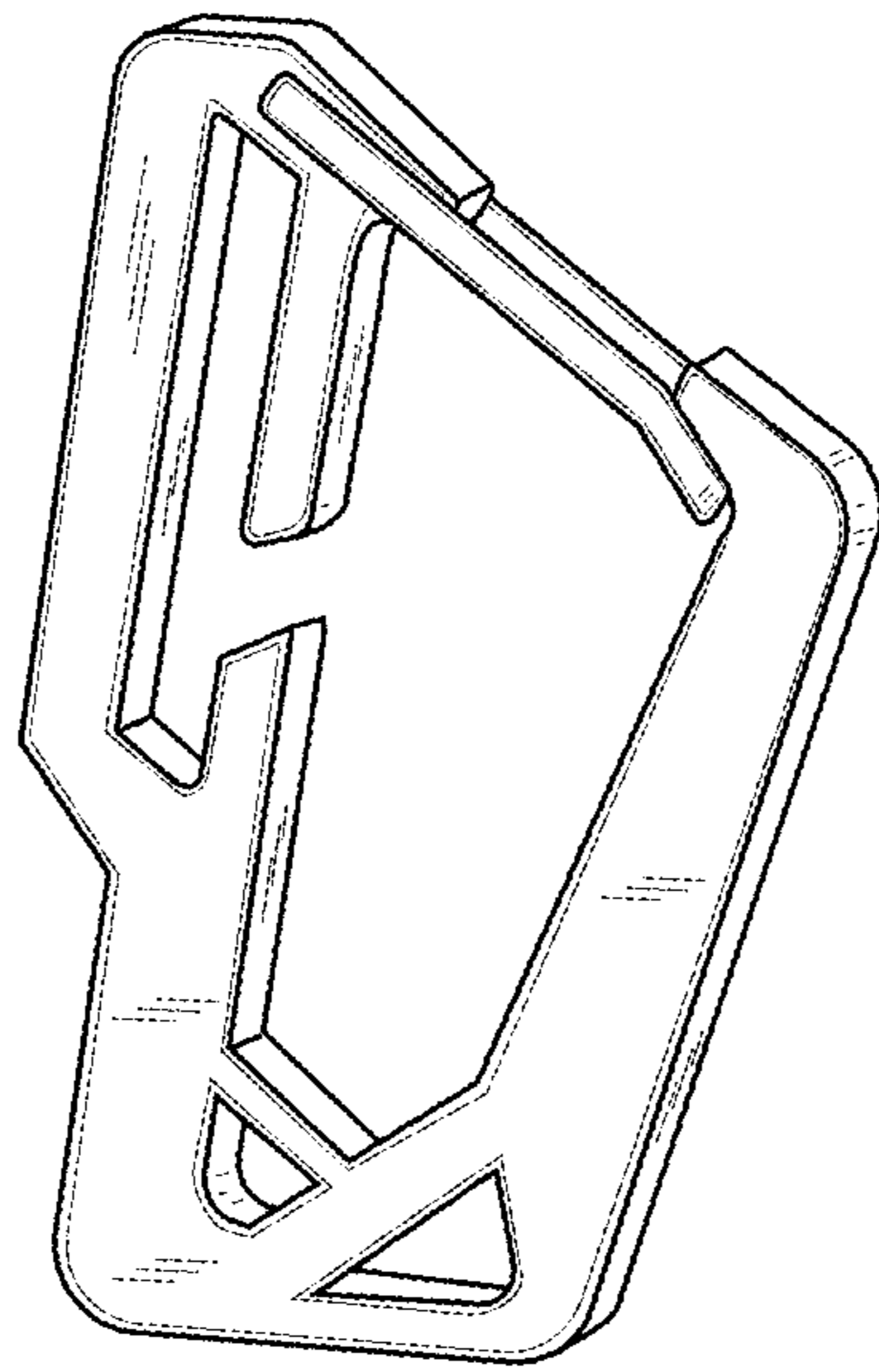


Fig. 1

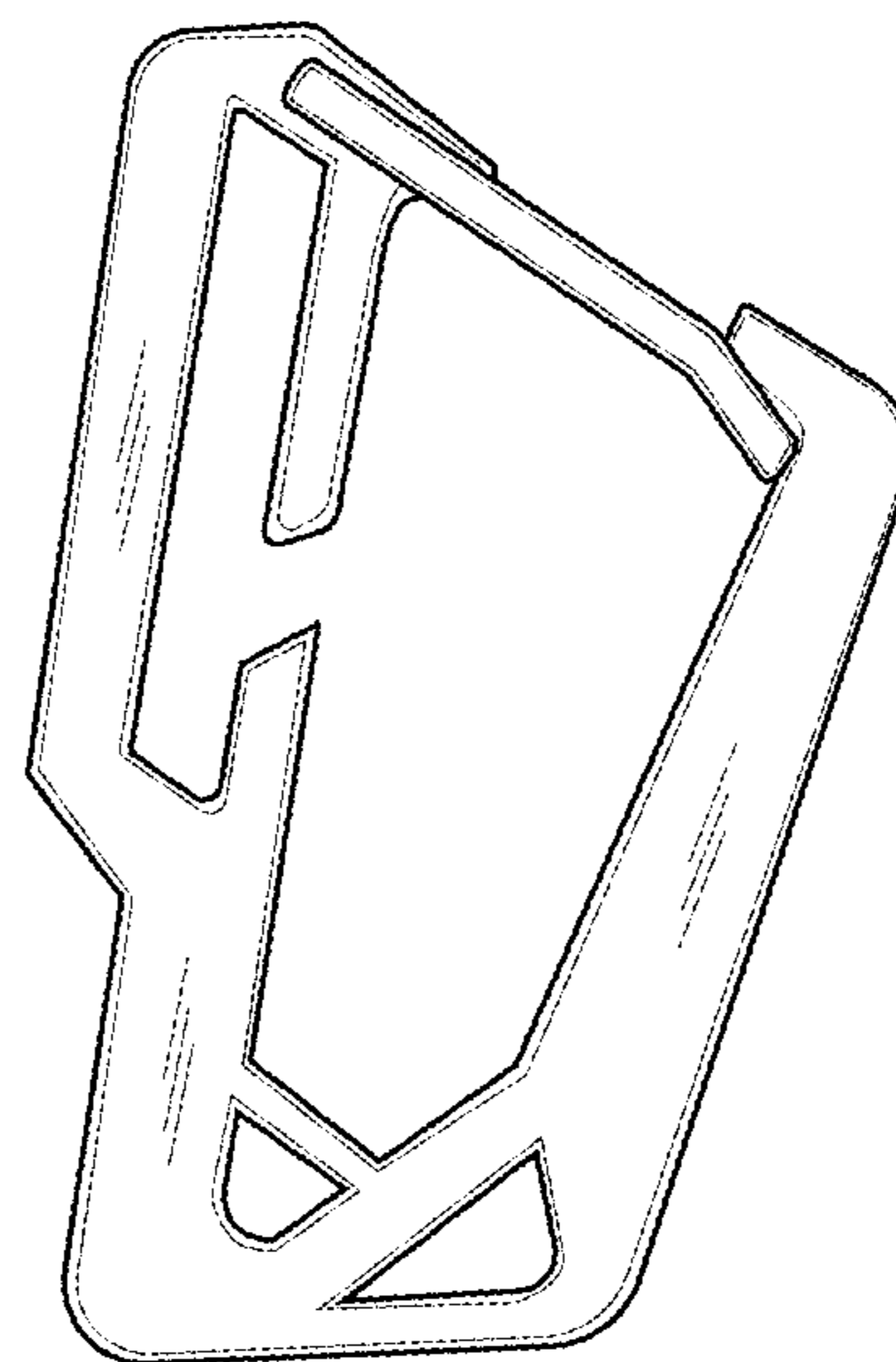


Fig. 2

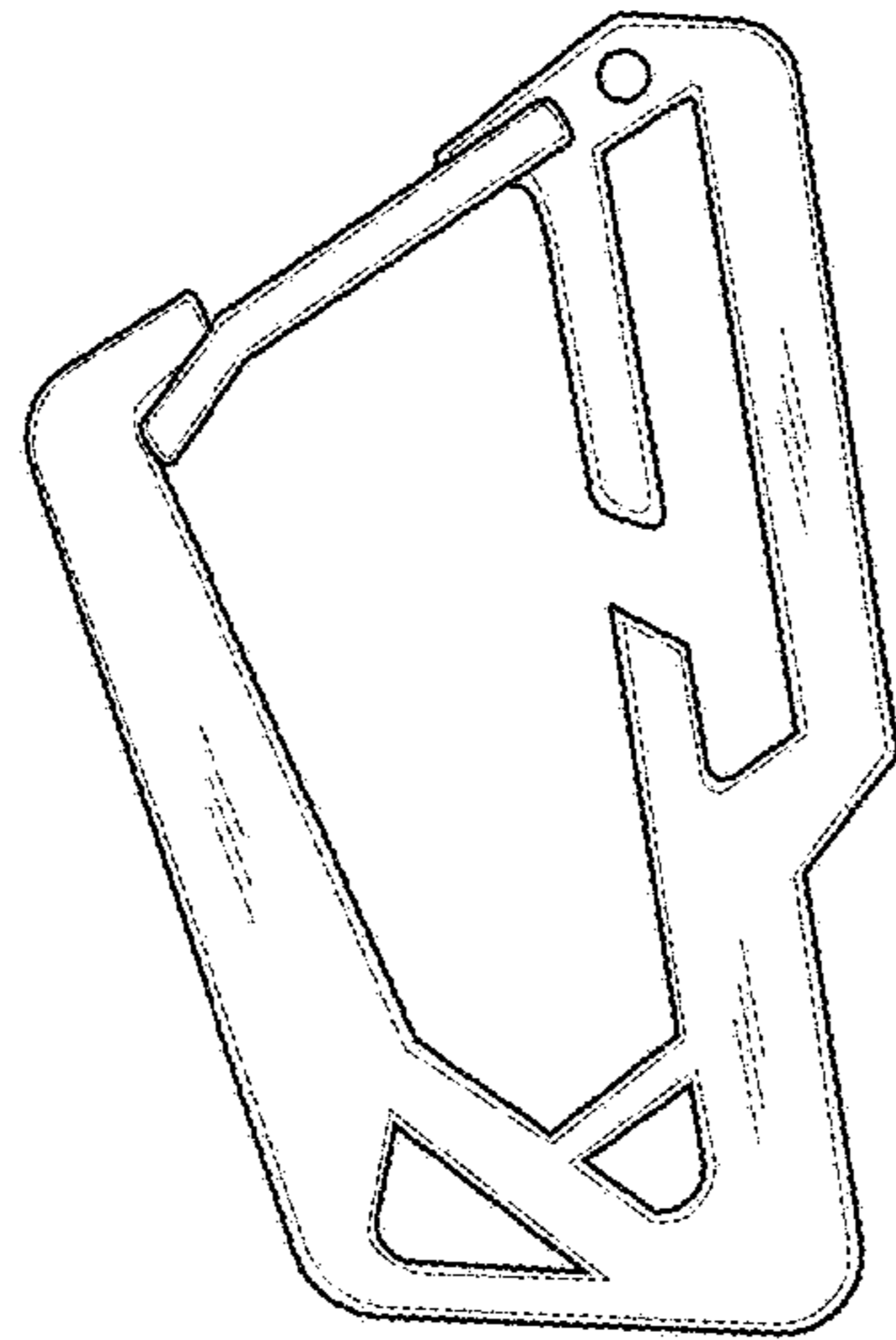


Fig. 3

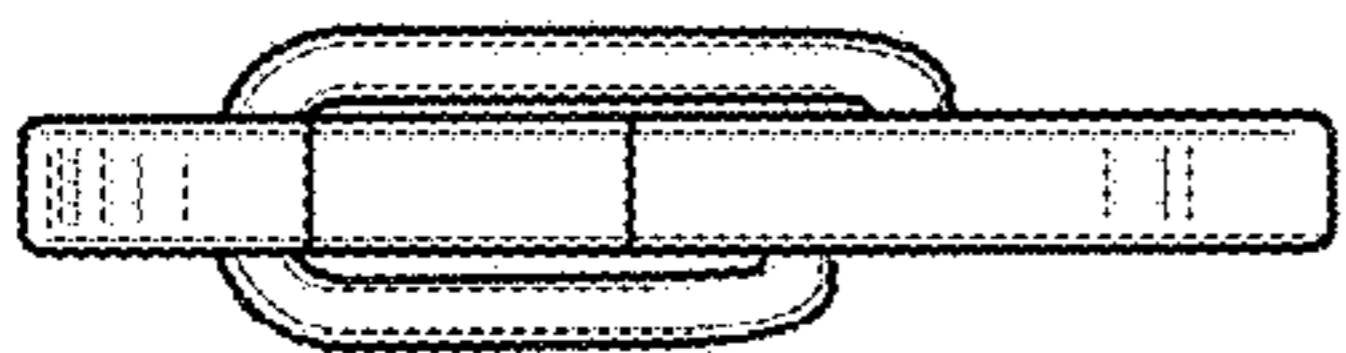


Fig. 4

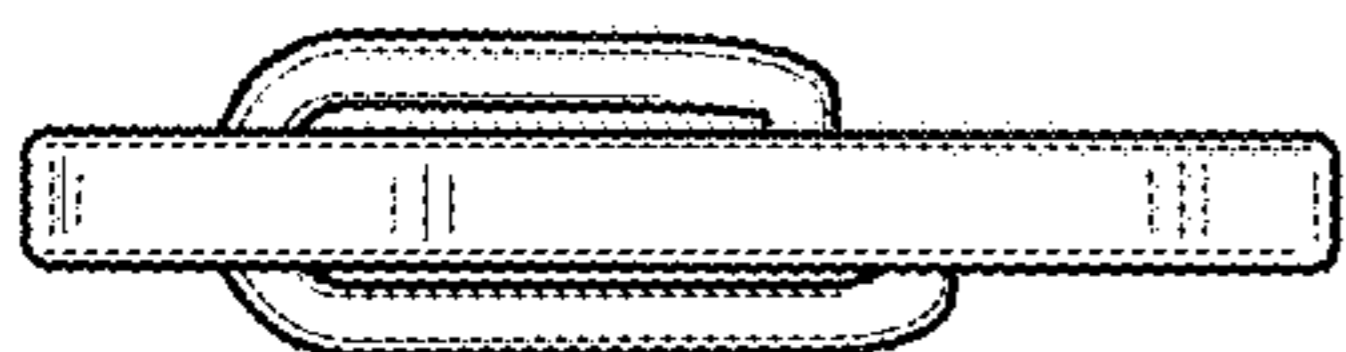


Fig. 5

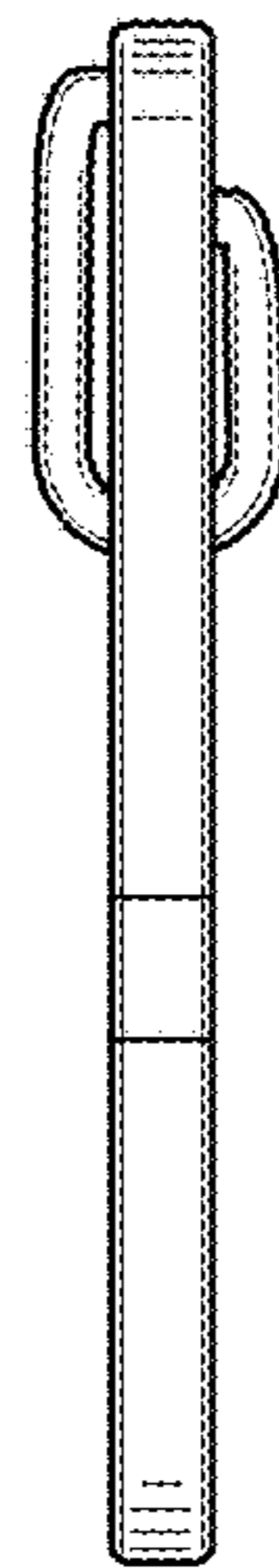


Fig. 6

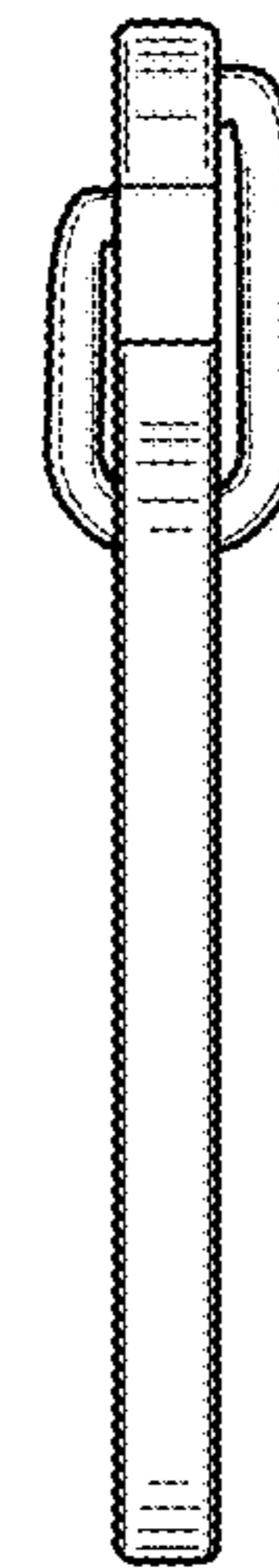


Fig. 7