



US00D847615S

(12) **United States Design Patent** (10) **Patent No.:** **US D847,615 S**  
**Kao** (45) **Date of Patent:** **\*\* May 7, 2019**

(54) **POSITIONING MOUNT FOR A HAND TOOL FRAME**

D698,234 S \* 1/2014 Bauer ..... D8/397  
D800,544 S \* 10/2017 Schuit ..... D8/397  
D817,736 S \* 5/2018 Kao ..... D8/70

(71) Applicant: **Jui-Chien Kao**, Taichung (TW)

\* cited by examiner

(72) Inventor: **Jui-Chien Kao**, Taichung (TW)

*Primary Examiner* — Eliza Z Bennett-Hattan

(\*\*) Term: **15 Years**

(74) *Attorney, Agent, or Firm* — Alan D. Kamrath;  
Kamrath IP Lawfirm, P.A.

(21) Appl. No.: **29/562,064**

(22) Filed: **Apr. 22, 2016**

(51) **LOC (11) Cl.** ..... **08-05**

(52) **U.S. Cl.**  
USPC ..... **D8/366**

(58) **Field of Classification Search**  
USPC ..... D8/16, 18, 19, 33, 38, 363, 354, 349,  
D8/382, 356, 355, 330, 383, 370;  
D6/684; D25/156  
CPC ..... A47F 7/0028  
See application file for complete search history.

(57) **CLAIM**

The ornamental design for a positioning mount for a hand tool frame, as shown and described.

**DESCRIPTION**

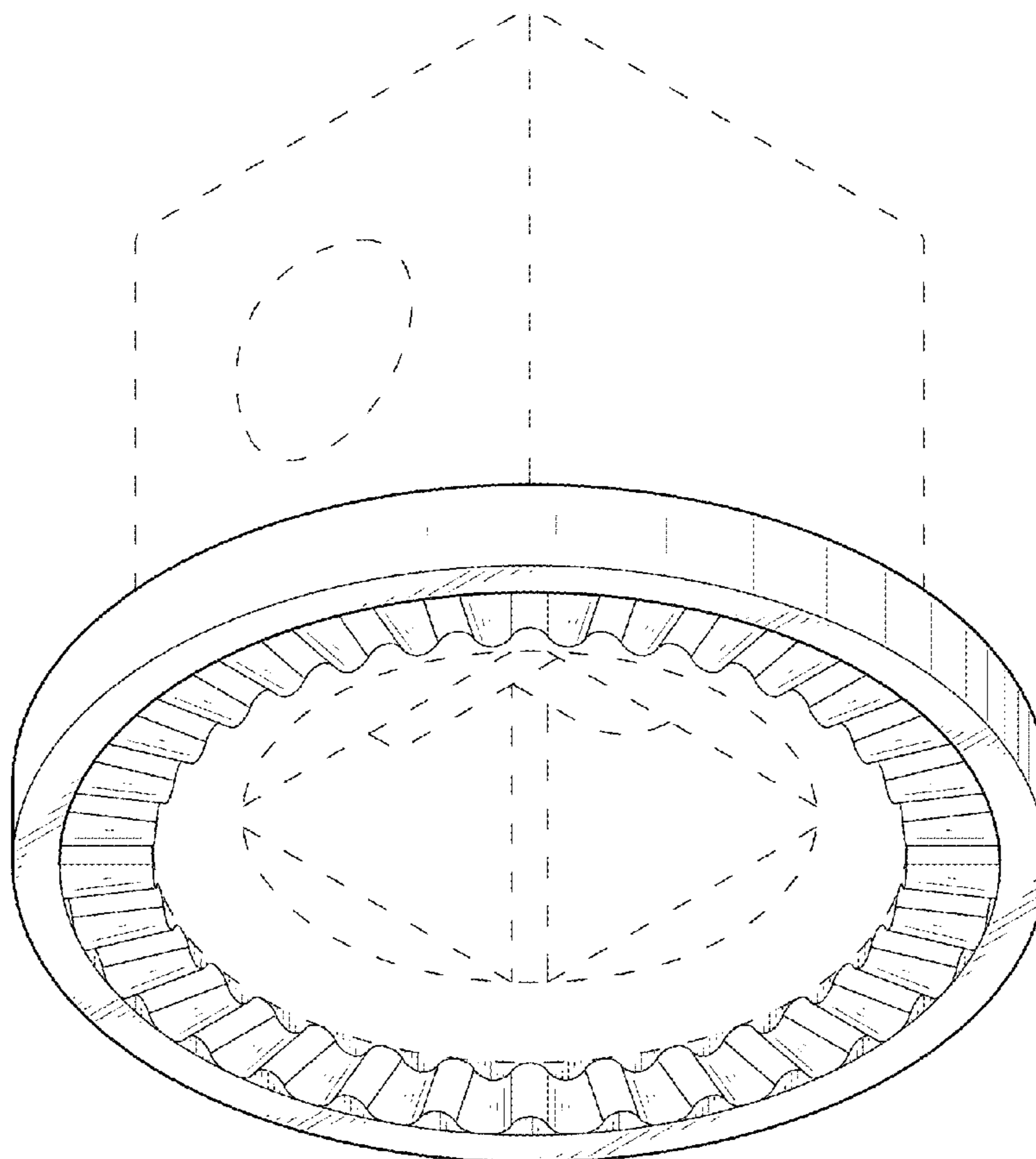
FIG. 1 is a perspective view of a positioning mount for a hand tool frame, showing my new design;  
FIG. 2 is a front view thereof;  
FIG. 3 is a rear view thereof;  
FIG. 4 is a left side view thereof;  
FIG. 5 is a right side view thereof;  
FIG. 6 is a top view thereof; and,  
FIG. 7 is a bottom view thereof.  
The broken lines depict unclaimed portions of the positioning mount for a hand tool frame.

(56) **References Cited**

**U.S. PATENT DOCUMENTS**

7,506,563 B2 \* 3/2009 Douglas ..... F16D 1/101  
188/69  
D602,349 S \* 10/2009 Andersson ..... D8/399

**1 Claim, 7 Drawing Sheets**



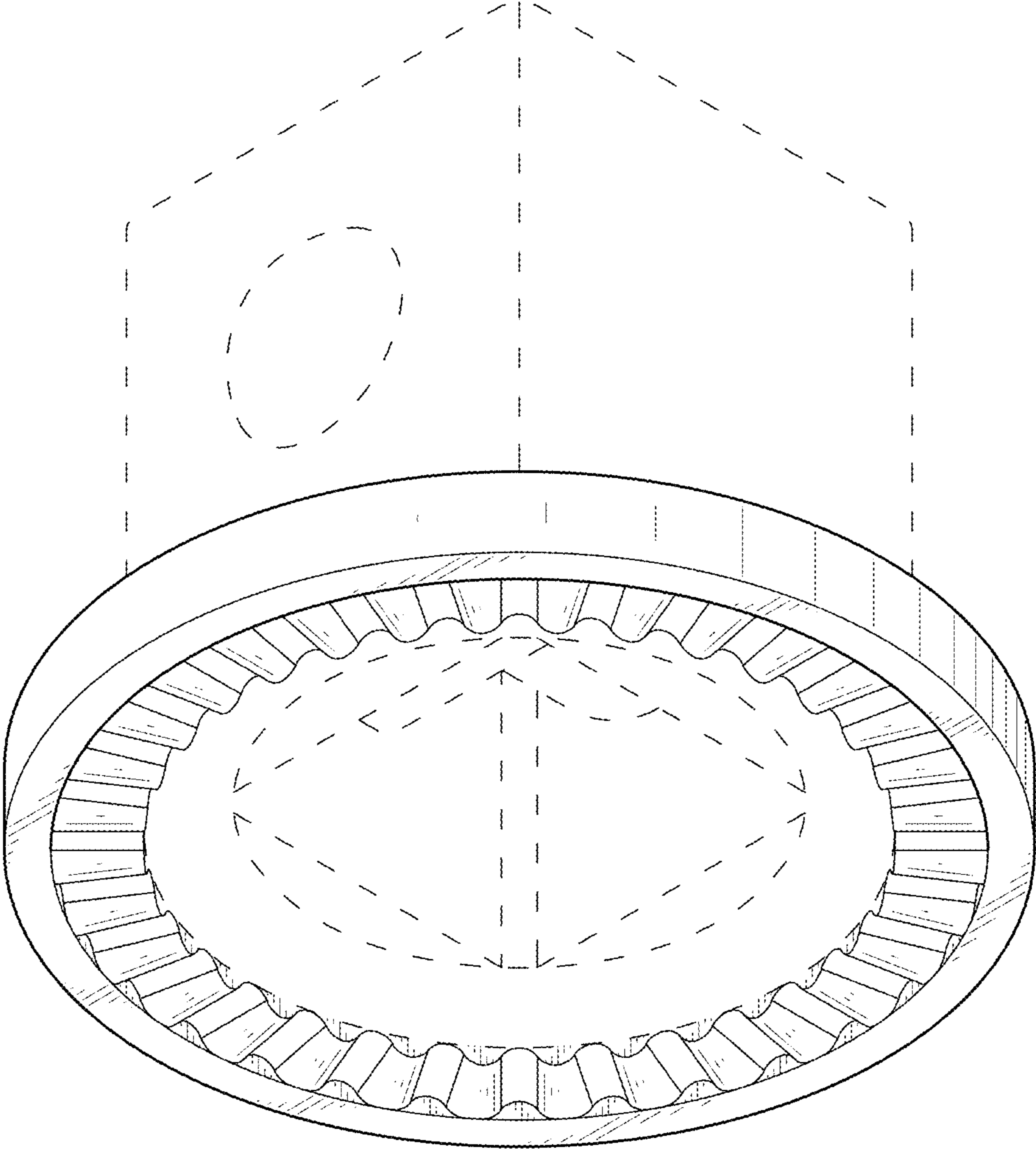


FIG.1

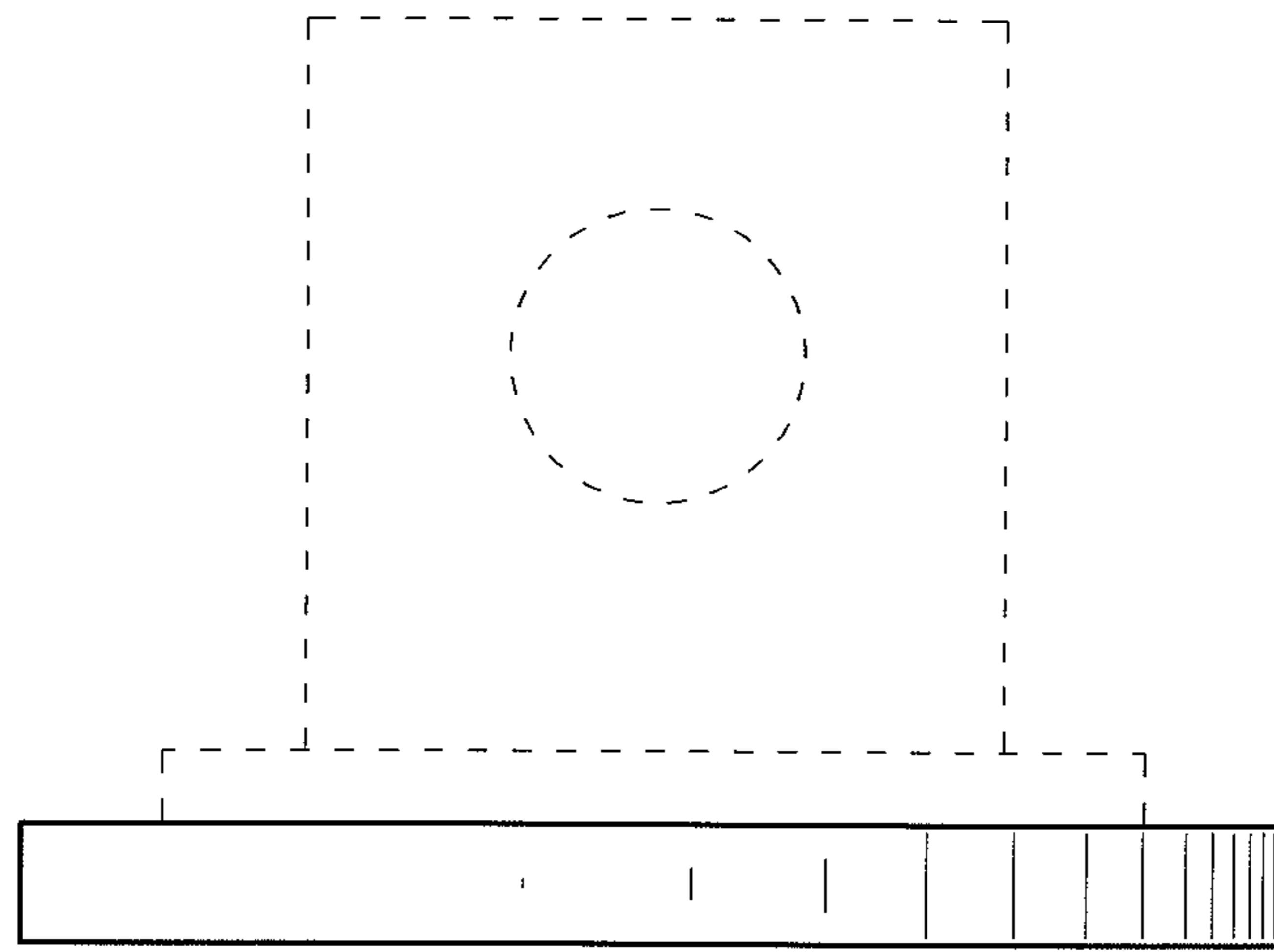


FIG.2

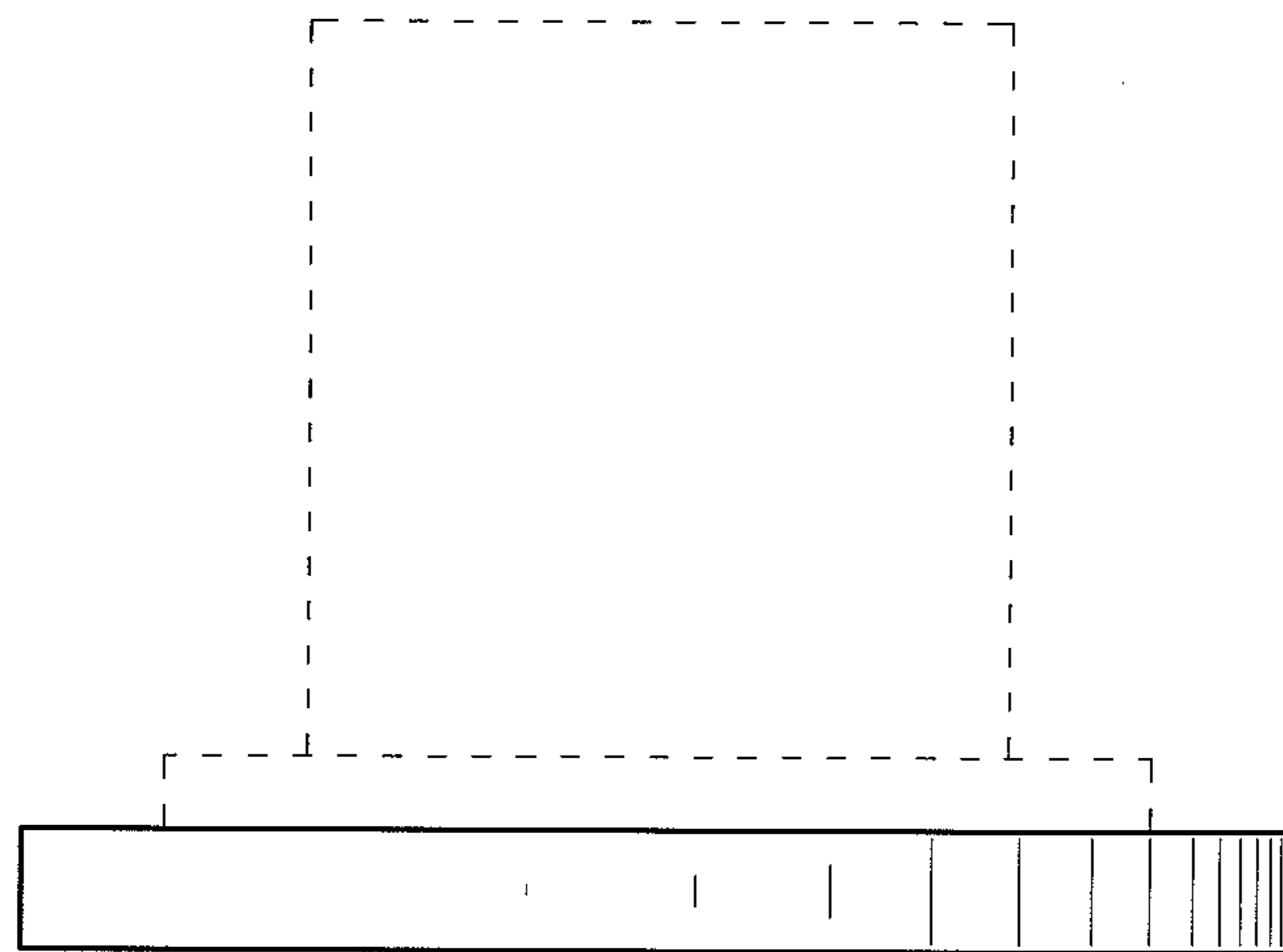


FIG.3

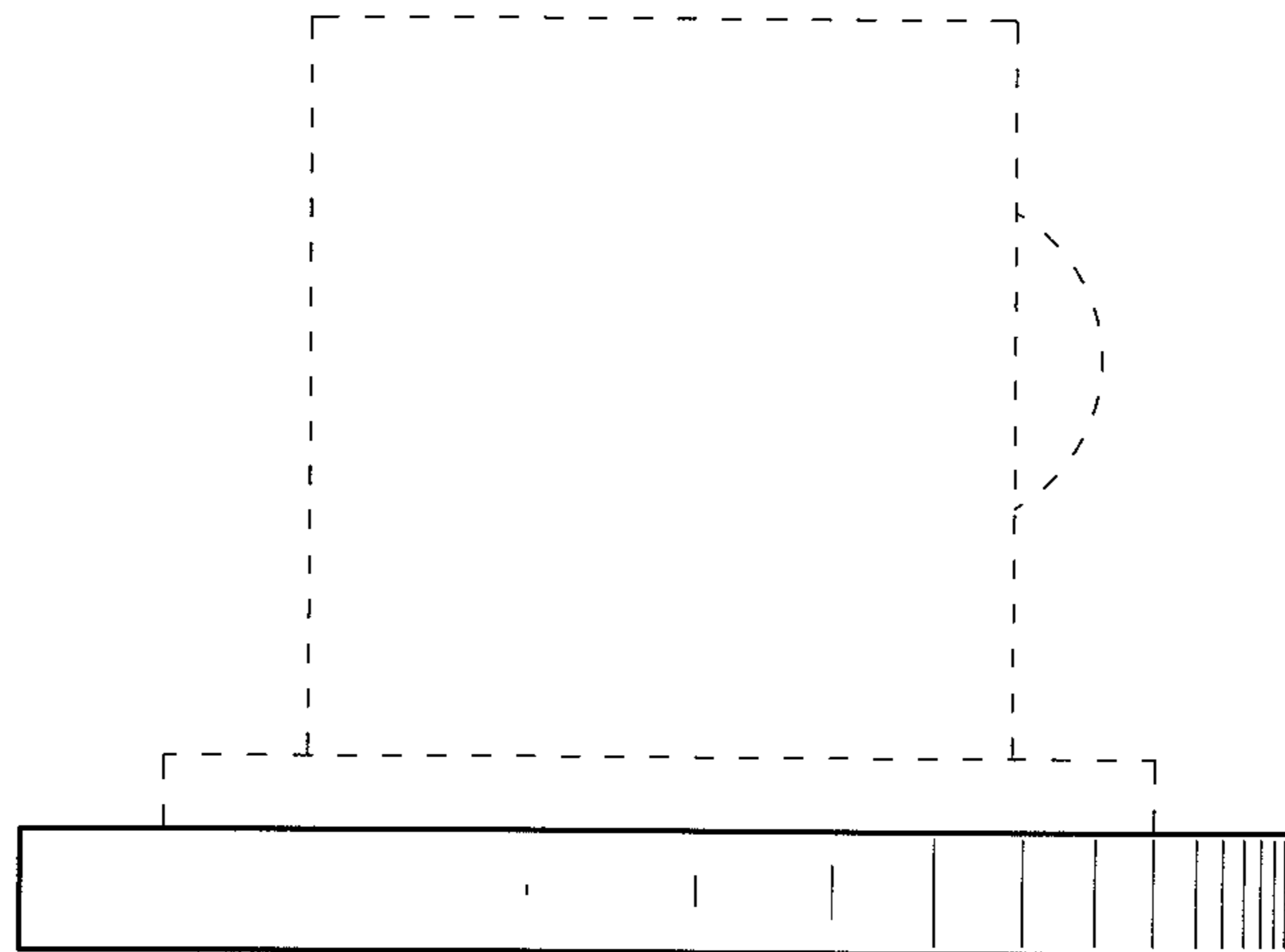


FIG.4

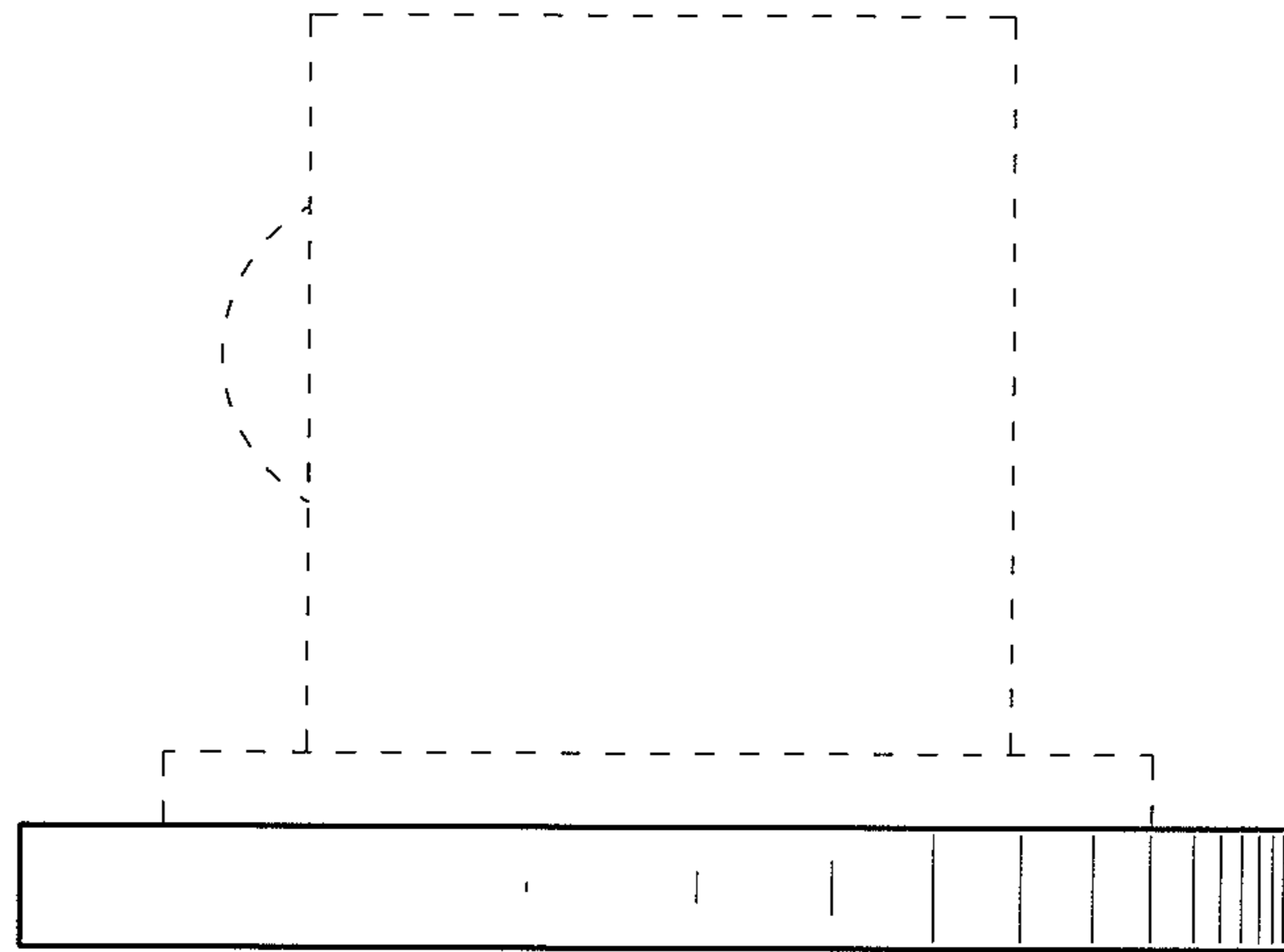


FIG.5

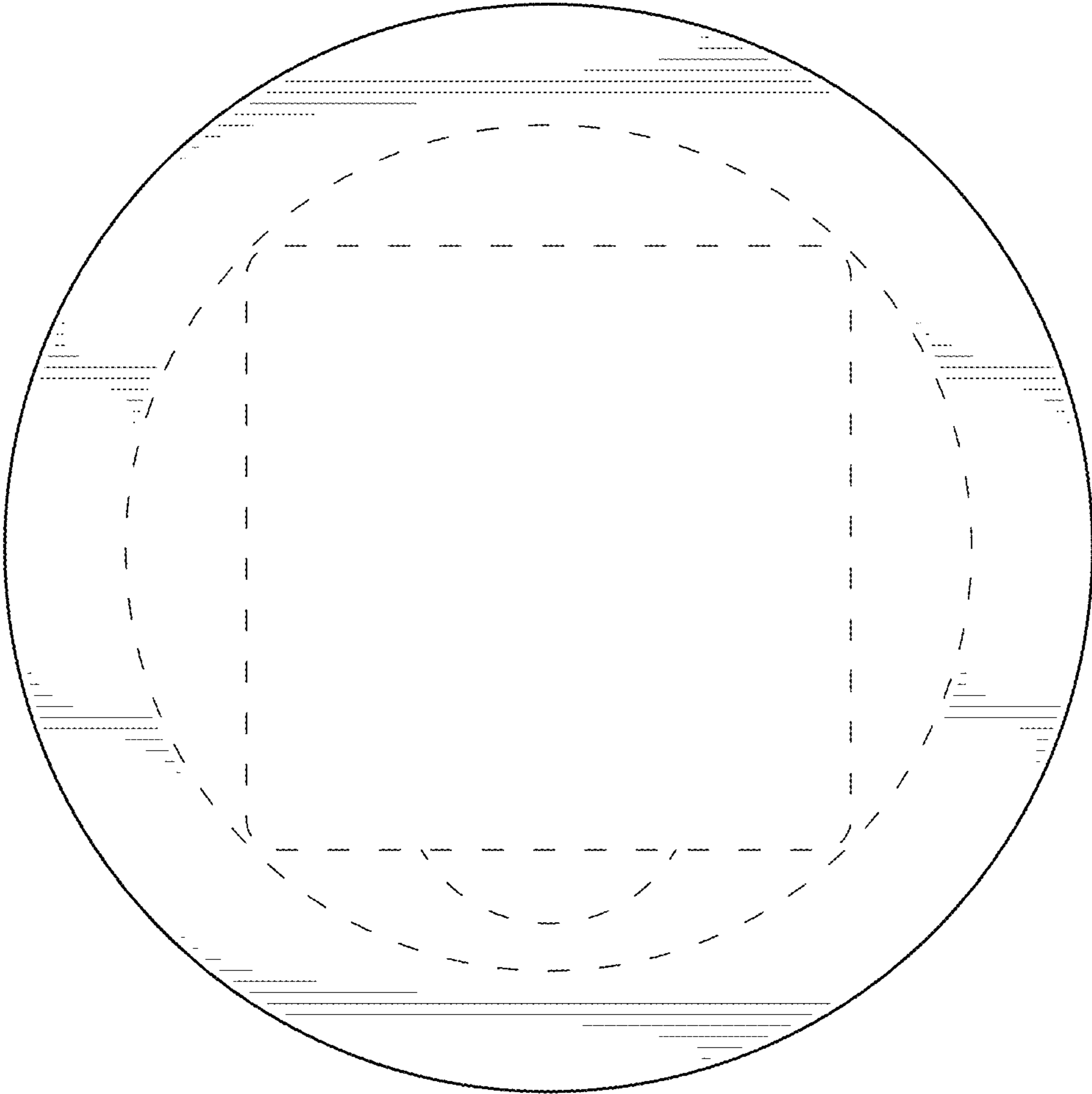


FIG.6

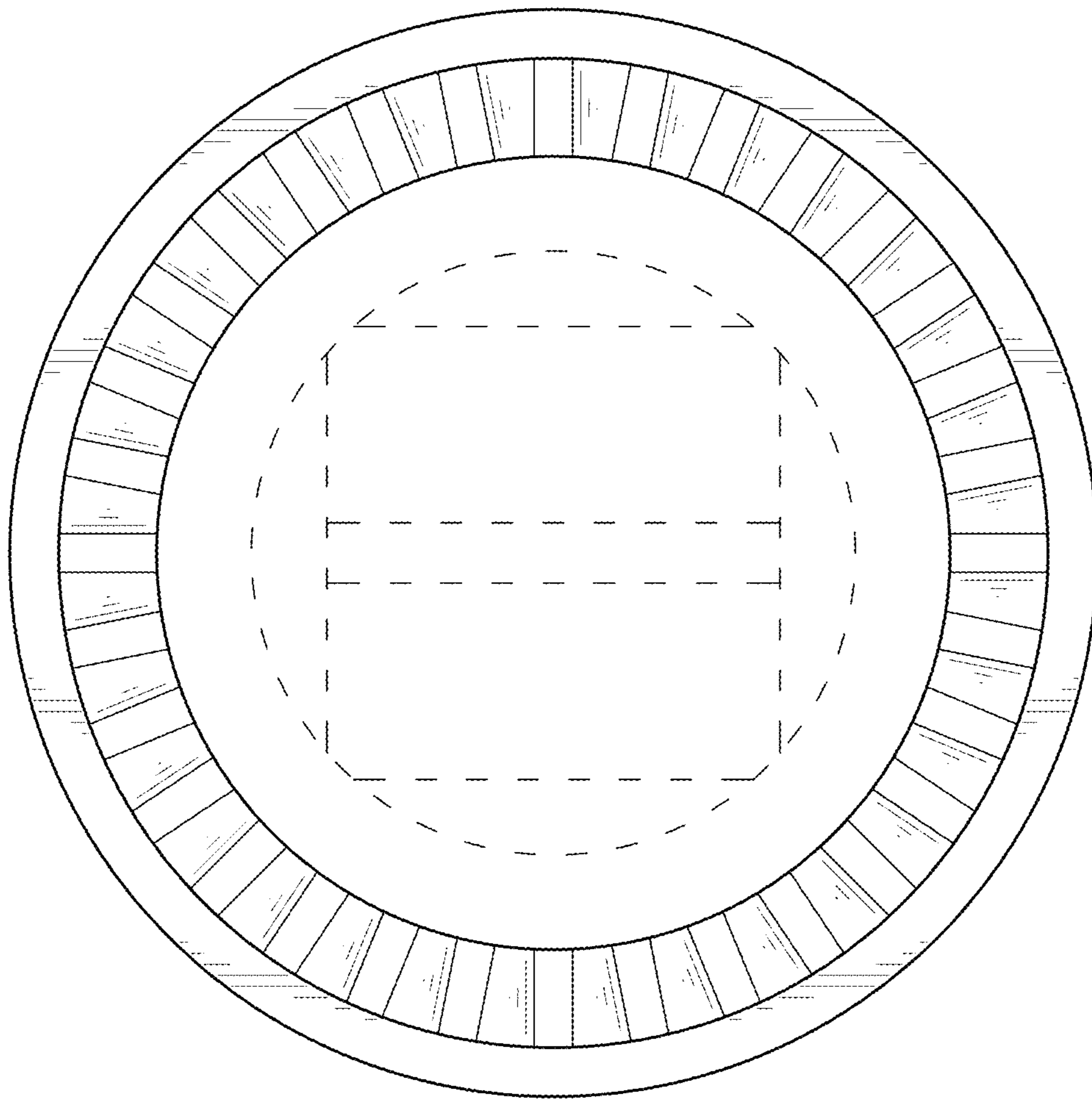


FIG. 7