

US00D847614S

(12) **United States Design Patent** (10) **Patent No.:** **US D847,614 S**
Hammer (45) **Date of Patent:** **** May 7, 2019**

(54) **WINDOW TREATMENT BRACKET**

(71) Applicant: **Muna Hammer**, Lutz, FL (US)

(72) Inventor: **Muna Hammer**, Lutz, FL (US)

(**) Term: **15 Years**

(21) Appl. No.: **29/616,862**

(22) Filed: **Sep. 8, 2017**

(51) **LOC (11) Cl.** **08-05**

(52) **U.S. Cl.**
USPC **D8/363**

(58) **Field of Classification Search**

USPC ... D8/16, 17, 18, 19, 33, 34, 39, 40, 43, 51,
D8/354, 363, 364, 366, 367, 368, 370,
D8/371, 373, 380, 381; D6/323, 515,
D6/518, 521, 523, 524, 537, 540, 545,
D6/546, 549, 566; D25/38.1, 119, 122,
D25/123; D2/602, 605, 606, 627, 643;
D3/207, 215; D11/7, 40, 43, 79, 200,
D11/201, 204, 208, 209, 212; D24/155;
D29/129, 130

CPC A61B 17/80; A61B 17/66; A61B 17/58;
A61B 17/8019; A61B 17/842; A61B
17/8625; A61B 17/863; A61B 17/8635;
A61B 17/8866; B67B 7/44; B67B 7/18;
B67B 7/0423; B67B 7/16; E04G 5/041;
E04G 5/043; E04G 21/3276; E04G
21/3285; E04D 13/12; B25F 1/04; B25F
5/027; B26B 11/001; A47K 10/40; A47H
27/00; A47G 7/045; A47B 13/02; A47B
87/00; A47B 96/02; A47B 96/06; A47B
57/06; A47B 87/005; A47B 57/34; A47B
96/021; A47B 96/061; A47F 5/13; A44B
11/04; A43B 1/0027; A43C 11/1413;
A43C 11/1466; A43C 11/1433; B63B
22/00; F16B 37/02; G10K 1/26; G10K
1/28; G10K 9/22; H02G 1/00; F16L
33/02; F16L 33/22; F16L 35/00; A45F
2200/0575; B25B 13/54; F16G 13/16

See application file for complete search history.

(56) **References Cited**

U.S. PATENT DOCUMENTS

D238,920 S * 2/1976 Vrignaud D6/549
D320,720 S * 10/1991 Goodman D6/546
D340,377 S * 10/1993 Brazis D6/549
D345,838 S * 4/1994 Bunn D34/6
D365,234 S * 12/1995 Bragazzi D6/523

(Continued)

OTHER PUBLICATIONS

Umbra Mountie Cabinet-Mount Paper Towel Holder, posted as
early as Dec. 22, 2011, [retrieved Dec. 26, 2018]. Retrieved from
Internet, <URL: <https://www.amazon.com/Umbra-Mountie-Cabinet-Mount-Paper-Holder/dp/B005M8YWW2> >.*

(Continued)

Primary Examiner — Barbara Fox

Assistant Examiner — Kristin E Reed

(74) *Attorney, Agent, or Firm* — Gulf Coast Intellectual
Property Group

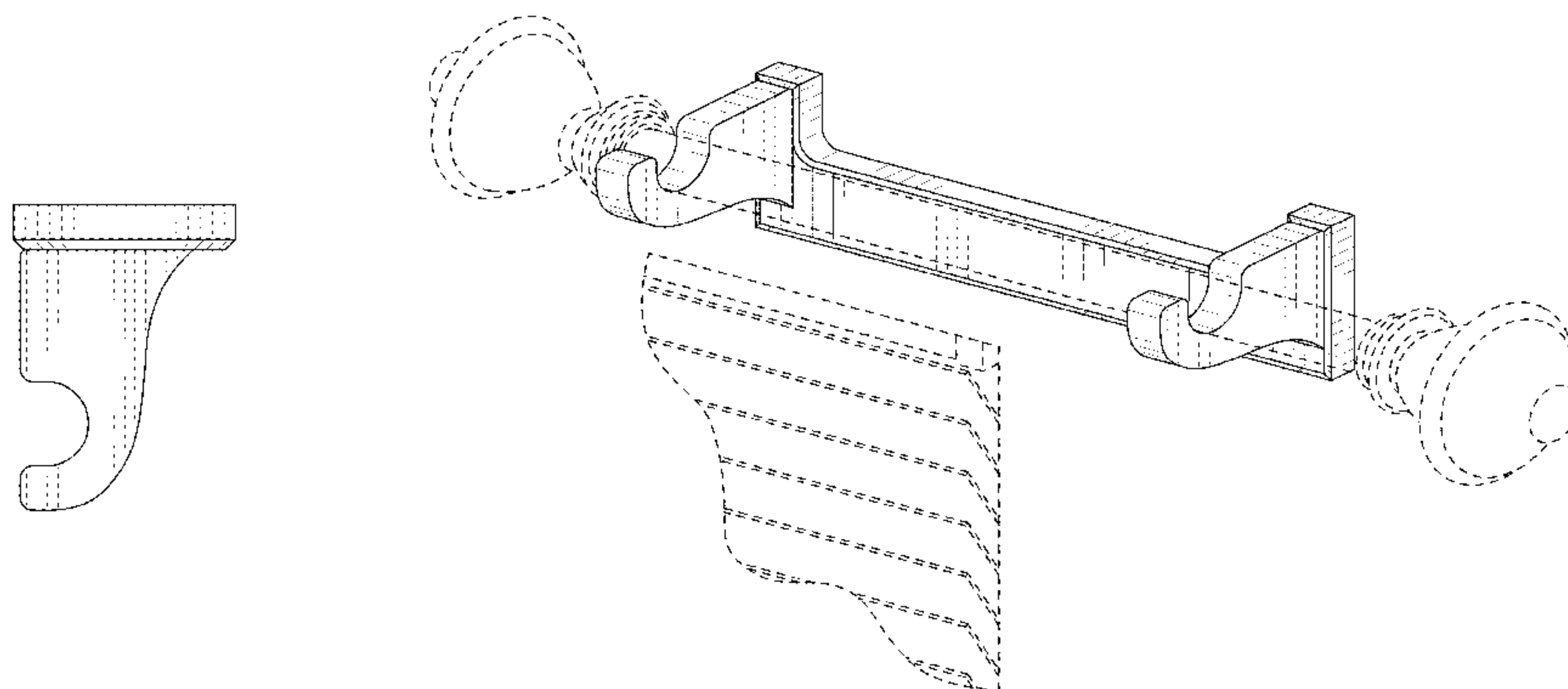
(57) **CLAIM**

The ornamental design for a window treatment bracket, as
shown and described.

DESCRIPTION

FIG. 1 is a bottom view of a window treatment bracket
showing my new design; and
FIG. 2 is a top view thereof; and
FIG. 3 is a left side view thereof; and
FIG. 4 is a right side view thereof; and
FIG. 5 is a rear view thereof; and,
FIG. 6 is a front perspective view thereof.
The broken lines shown in FIG. 6 illustrates the purpose of
use and environment and forms no part of the claimed
design.

1 Claim, 5 Drawing Sheets



(56)

References Cited

U.S. PATENT DOCUMENTS

D390,013 S * 2/1998 Ho D6/323
D394,970 S * 6/1998 Ho D6/524
D411,701 S * 6/1999 Klein D6/323
6,631,869 B1 * 10/2003 Kang A47K 10/38
242/598.5
D486,680 S * 2/2004 AlJizawi D6/522
D487,693 S * 3/2004 Moen D8/363
D515,344 S * 2/2006 Hoernig D6/549
D805,373 S * 12/2017 Shoenhair D8/367

OTHER PUBLICATIONS

Wood Wall Hanging Mount Bracket Samurai Sword , posted as early as May 21, 2017, [retrieved Dec. 26, 2018]. Retrieved from Internet, <URL: https://www.zzdaystore.com/index.php?main_page=product_info&products_id=360914 >.*

Home / Everything / Traditional Roller Towel holder, posted unknown, [retrieved Dec. 26, 2018]. Retrieved from Internet, <URL: <https://www.theoldmillstores.ie/product/traditional-roller-towel-holder/> >.*

Home>Muebles>Baño>Portarrollo Ocumen, posted unknown, [retrieved Dec. 26, 2018]. Retrieved from Internet, <URL: <https://topaztopaz.com/bano/9-portarrollo-ocumen.html> >.*

Martha Stewart Living > 1³/₈ in. Wood Single Bracket in Heritage Oak, posted as early as Jun. 9, 2013, [retrieved Jan. 7, 2019]. Retrieved from Internet, <URL: <https://www.homedepot.com/p/Martha-Stewart-Living-1-3-8-in-Wood-Single-Bracket-in-Heritage-Oak-33-BS-2/203721234> >.*

* cited by examiner

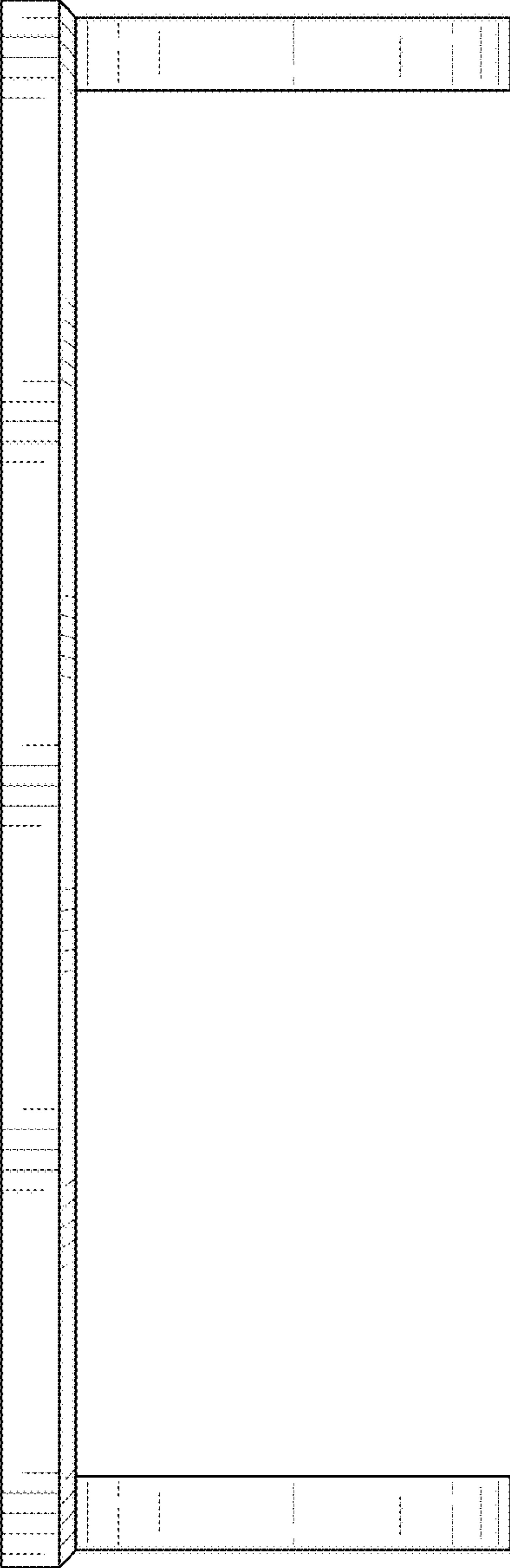


FIG. 1

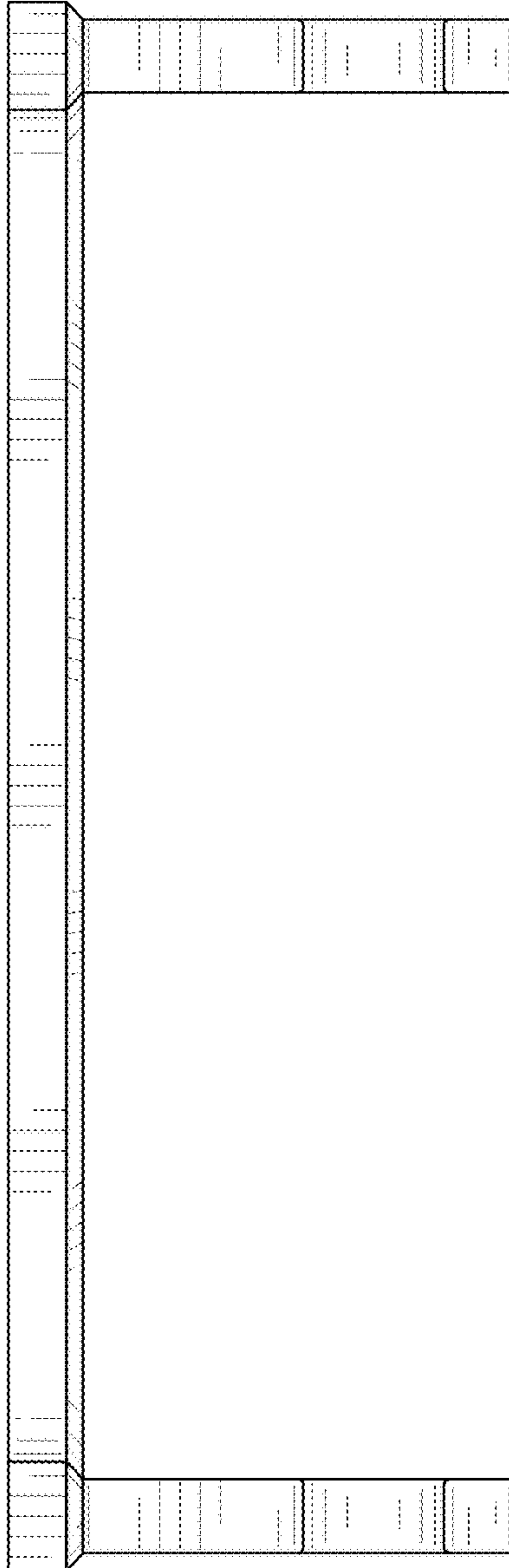


FIG. 2

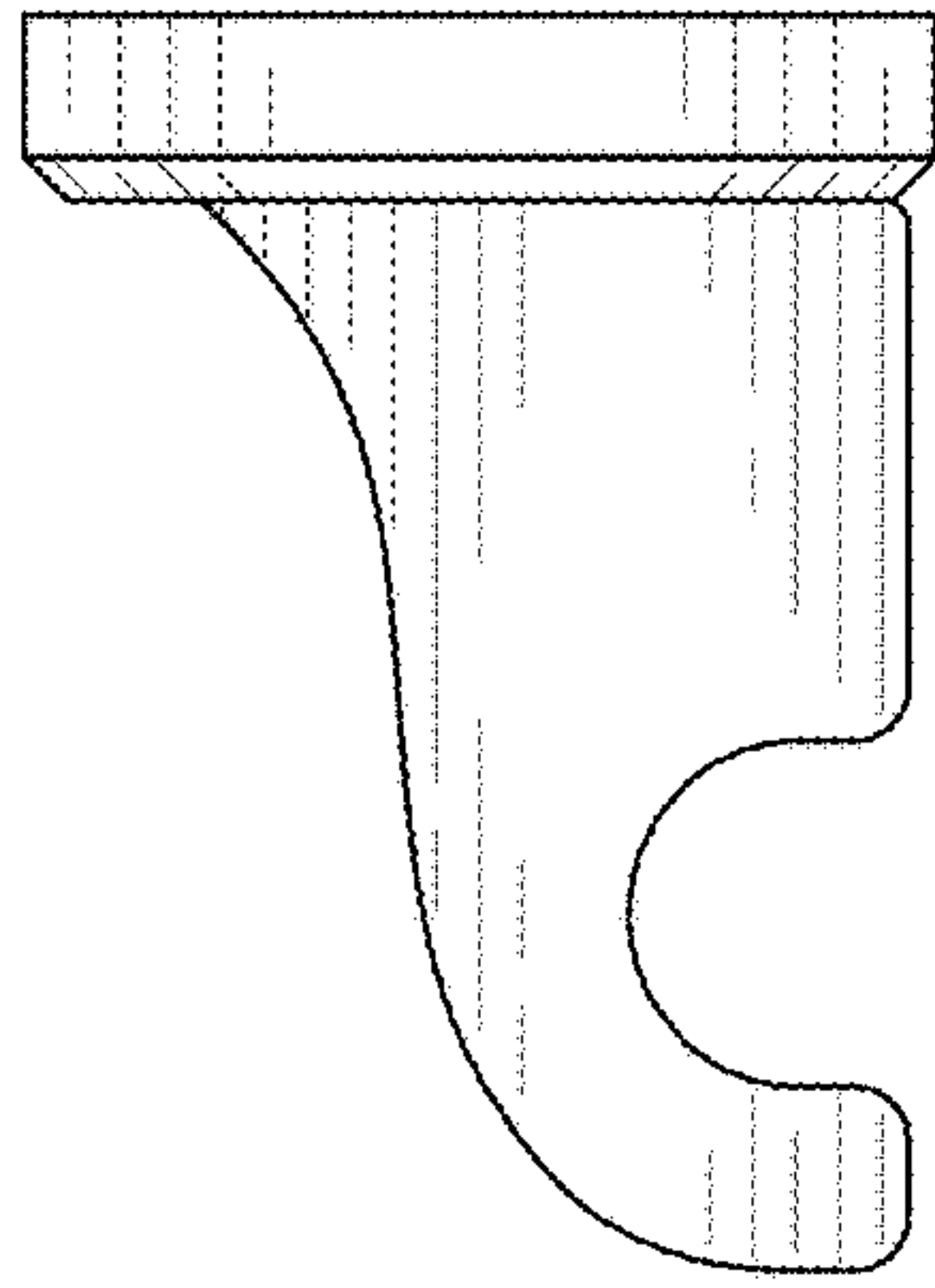


FIG. 3

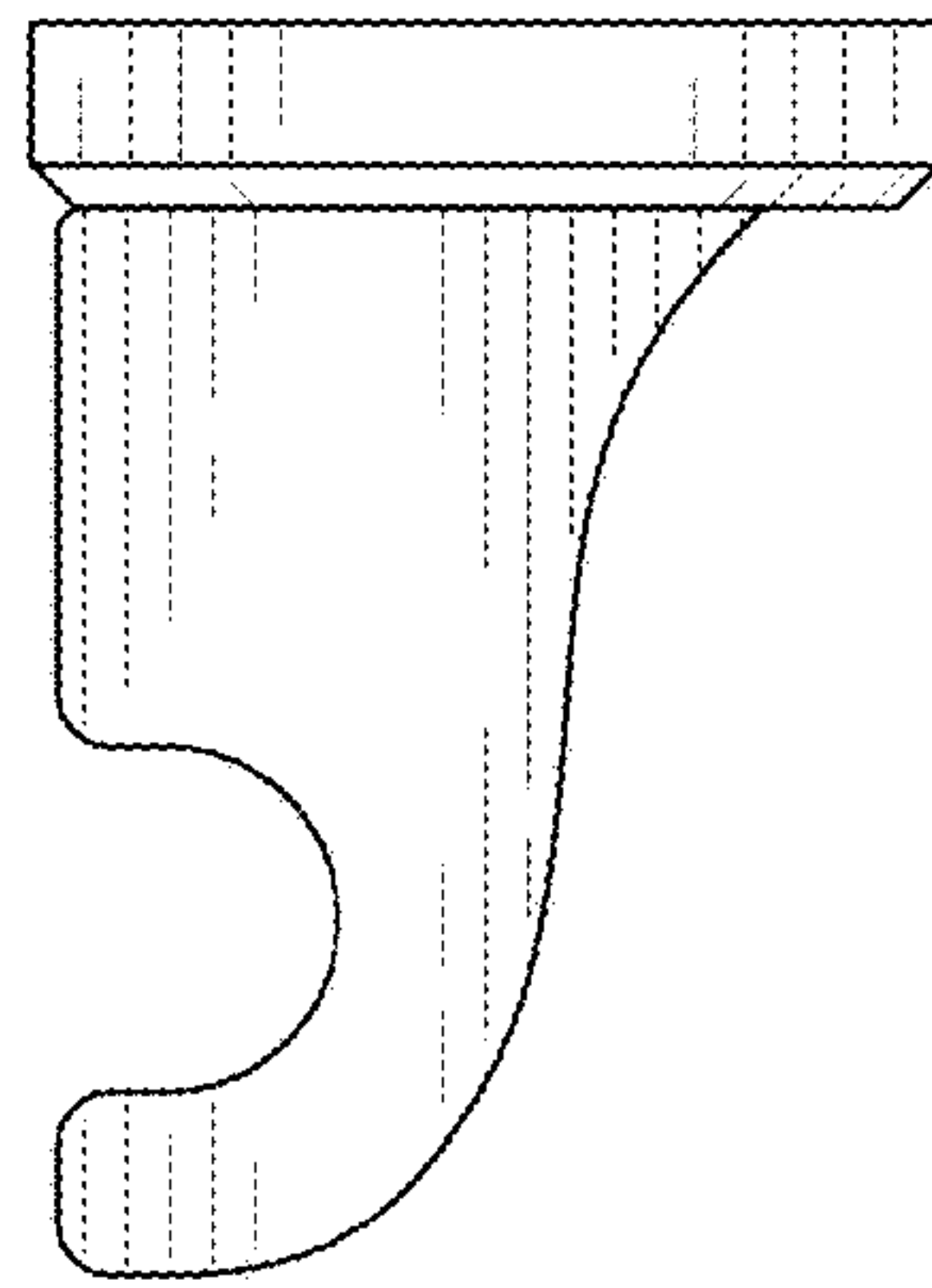


FIG. 4

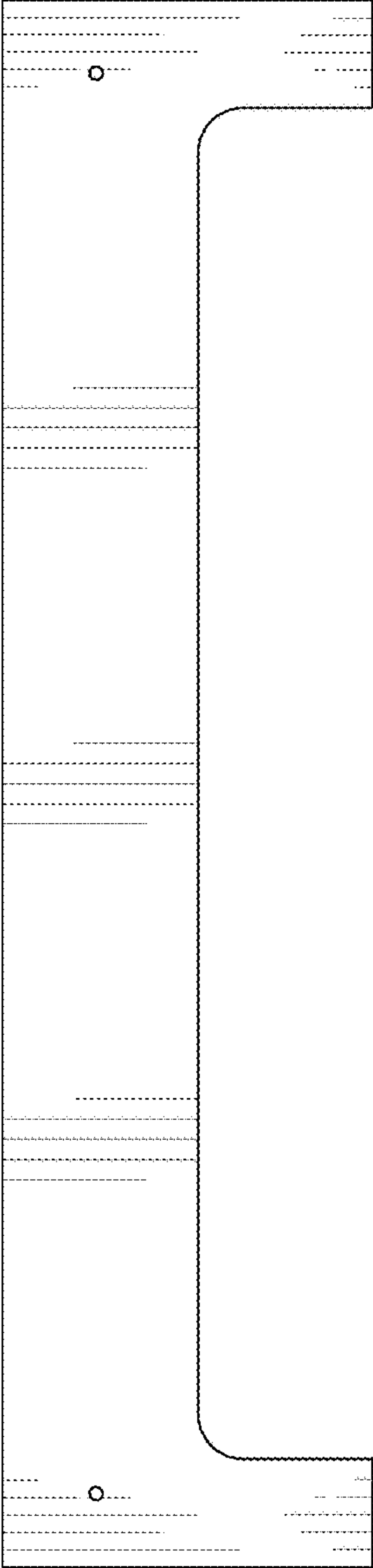


FIG. 5

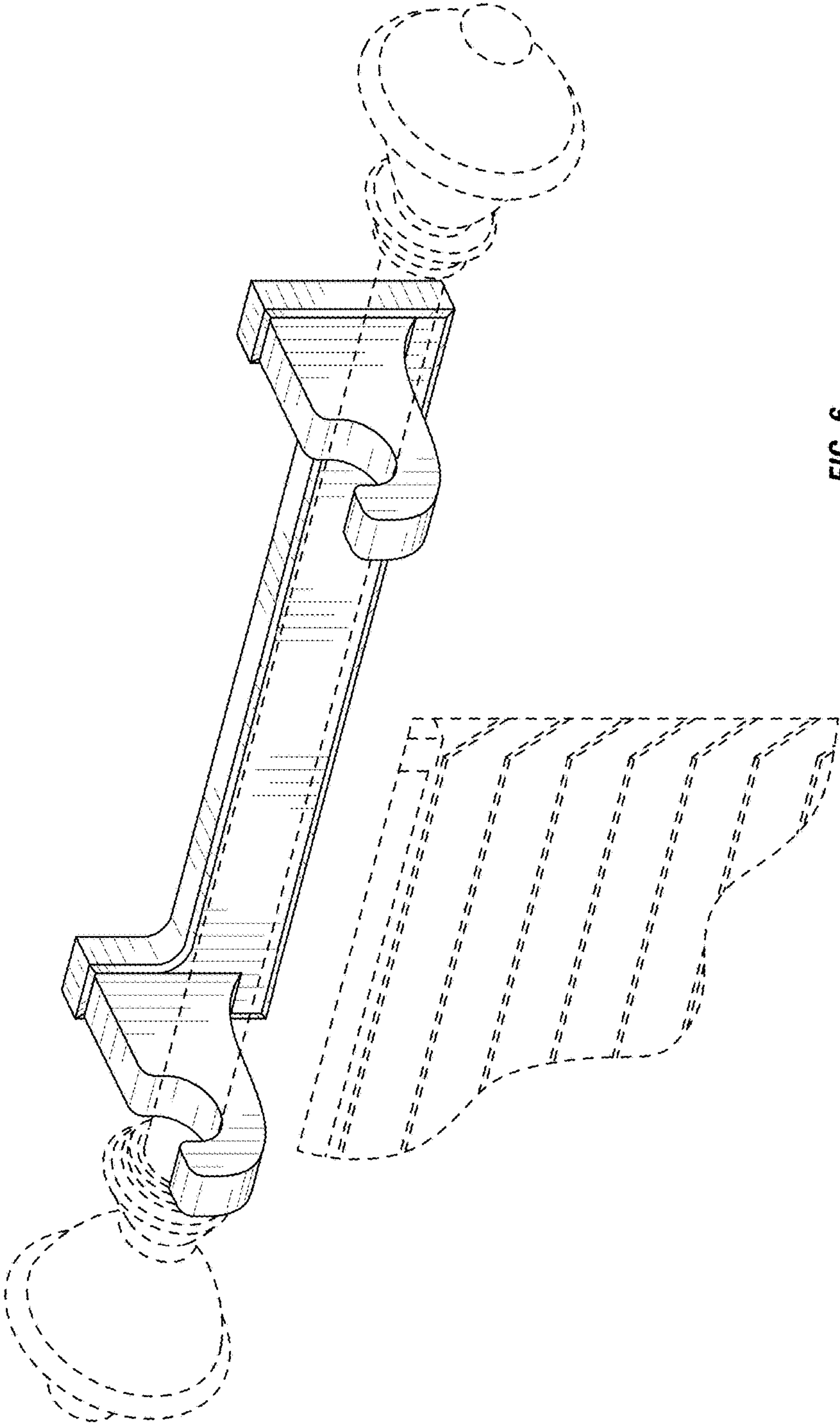


FIG. 6