



US00D847613S

(12) **United States Design Patent**
Hanley

(10) **Patent No.:** **US D847,613 S**

(45) **Date of Patent:** **** May 7, 2019**

(54) **ROD BRACKET**

(71) Applicant: **Kenney Manufacturing Company,**
Warwick, RI (US)

(72) Inventor: **Michael P. Hanley,** Smithfield, RI (US)

(73) Assignee: **KENNEY MANUFACTURING**
COMPANY, Warwick, RI (US)

(**) Term: **15 Years**

(21) Appl. No.: **29/608,875**

(22) Filed: **Jun. 27, 2017**

Related U.S. Application Data

(63) Continuation-in-part of application No. 15/488,781,
filed on Apr. 17, 2017.

(51) **LOC (11) Cl.** **08-05**

(52) **U.S. Cl.**
USPC **D8/363**

(58) **Field of Classification Search**

USPC D8/323, 354, 355, 376, 373, 371, 370,
D8/372, 363; D6/323, 550

CPC A47H 1/142; A47H 1/122; A47H 13/01;
A47H 1/022; A47H 1/102; A47H 1/02;
A47H 2023/003; A47H 1/14; A47H 1/00;
A47H 2001/006; A47H 2001/021; A47H
2001/0215

See application file for complete search history.

(56) **References Cited**

U.S. PATENT DOCUMENTS

- | | | | | | |
|-----------|-----|--------|-----------------|-------|----------------------|
| 827,627 | A * | 7/1906 | Graham | | A47H 1/13
248/254 |
| 969,051 | A * | 8/1910 | Garraway et al. | | A47H 1/13
248/254 |
| 1,147,355 | A | 7/1915 | Zevin et al. | | |

- | | | | | | |
|-----------|-----|---------|----------------|-------|--------|
| D60,744 | S * | 3/1922 | Weyman | | D8/355 |
| D75,598 | S * | 6/1928 | Priest | | D8/363 |
| D76,096 | S * | 8/1928 | Vermillion | | D8/363 |
| D76,097 | S * | 8/1928 | Vermillion | | D8/363 |
| 2,224,008 | A | 12/1940 | Auslander | | |
| 2,679,373 | A | 5/1954 | Henley | | |
| 2,859,879 | A | 11/1958 | Rogers et al. | | |
| 2,908,471 | A | 10/1959 | Hollansworth | | |
| 3,614,045 | A | 10/1971 | Cegielski, Jr. | | |
| 3,669,395 | A | 6/1972 | Gehrke | | |
| 3,912,211 | A | 10/1975 | Topf | | |
| D244,668 | S * | 6/1977 | Tegner | | D6/324 |
| D259,241 | S * | 5/1981 | Lynch | | D8/363 |
| 4,325,528 | A | 4/1982 | Martin | | |
| D265,285 | S | 7/1982 | Englert, Jr. | | |
| D279,450 | S * | 7/1985 | Chap | | D6/325 |
| 4,555,432 | A | 11/1985 | Bossons | | |
| D281,575 | S * | 12/1985 | Chap | | D6/325 |
| D285,410 | S | 9/1986 | Webber | | |
| D290,224 | S | 6/1987 | Skinner | | |

(Continued)

Primary Examiner — Eliza Z Bennett-Hattan

(74) *Attorney, Agent, or Firm* — Adler Pollock &
Sheehan P.C.; Daniel J. Holmader, Esq.

(57) **CLAIM**

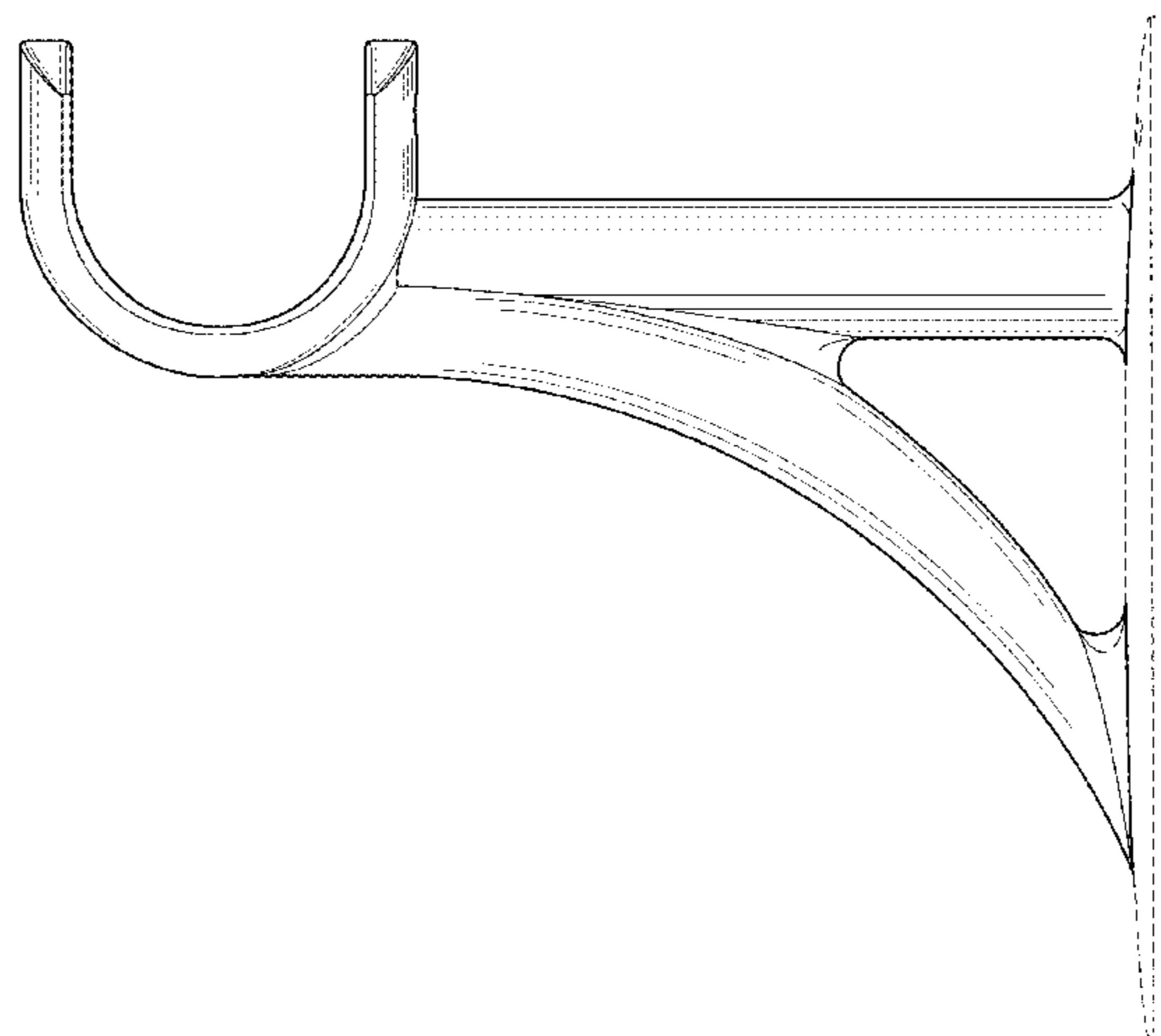
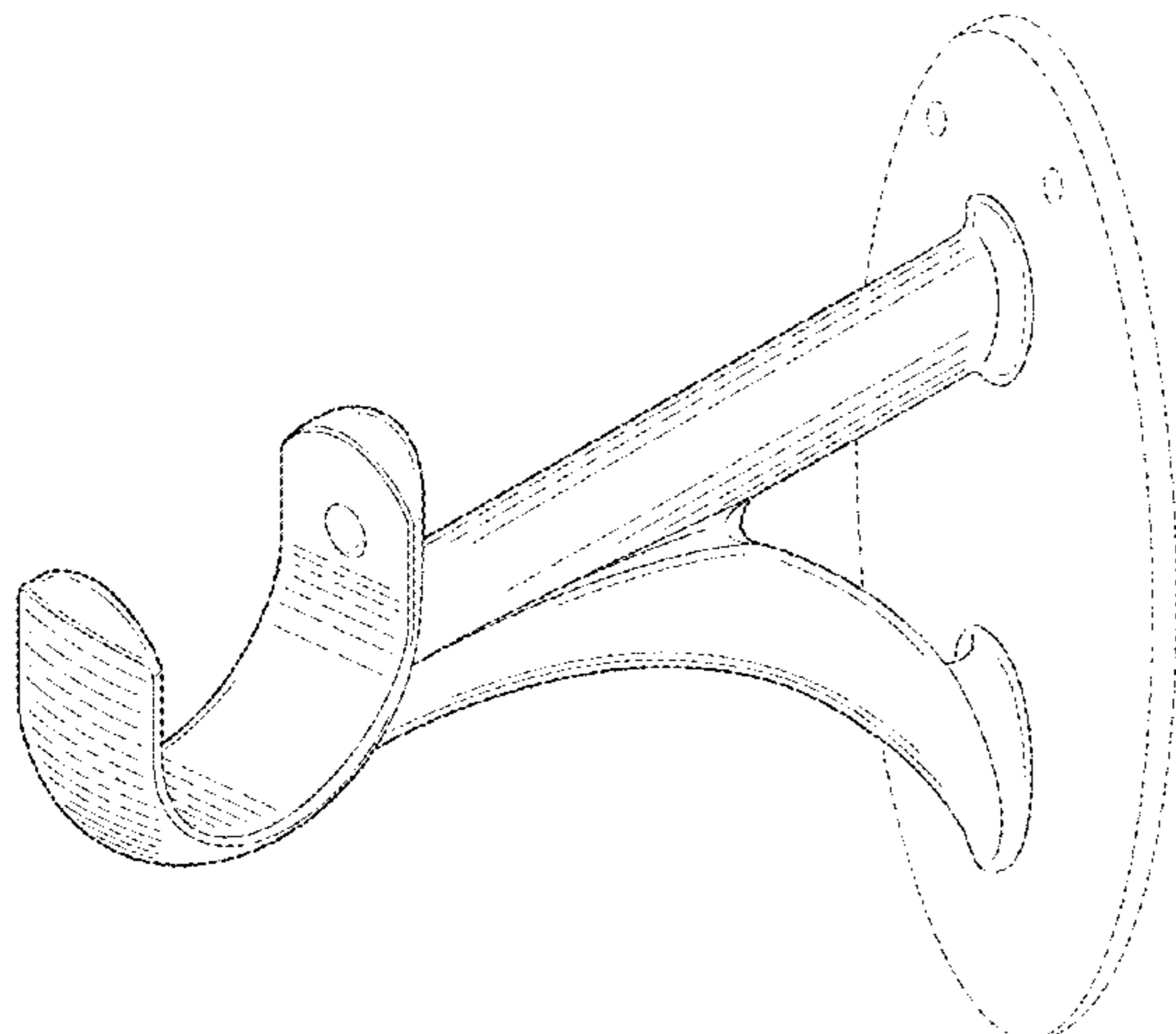
The ornamental design for a rod bracket, as shown and described.

DESCRIPTION

FIG. 1 is a perspective view of a rod bracket;
FIG. 2 is a front view thereof;
FIG. 3 is a rear view thereof;
FIG. 4 is a right side view thereof;
FIG. 5 is a left side view thereof;
FIG. 6 is a top view thereof; and,
FIG. 7 is a bottom view thereof.

The elements depicted in broken lines in the various figures are included for environmental purposes only, and form no part of the claimed design.

1 Claim, 7 Drawing Sheets



(56)

References Cited

U.S. PATENT DOCUMENTS

D290,931 S	7/1987	Powell		D605,932 S	12/2009	Piersant	
D307,539 S	5/1990	Goodman et al.		D622,578 S	8/2010	Kollman	
D315,862 S	4/1991	Specker, Jr.		D632,951 S	2/2011	McGreevy et al.	
D316,031 S *	4/1991	Goodman	D8/363	8,056,873 B1	11/2011	Hanley et al.	
5,069,412 A	12/1991	Jacob		8,231,093 B2	7/2012	Tran	
D327,642 S	7/1992	Foubister		D678,754 S	3/2013	Burr	
D329,372 S	9/1992	Wilms		8,418,975 B1	4/2013	Burr	
D346,950 S	5/1994	Dunn et al.		8,500,078 B2	8/2013	Castellanos	
5,351,842 A	10/1994	Remmers		D700,827 S	3/2014	Starck	
5,564,666 A	10/1996	Pfeil		8,678,068 B1	3/2014	Hobart et al.	
5,582,303 A	12/1996	Sloan		D707,535 S *	6/2014	Burr	D8/363
D389,035 S *	1/1998	Smiley	D8/363	8,740,171 B2	6/2014	Crescenzo	
6,216,889 B1	4/2001	Chang		D714,622 S	10/2014	Pan	
D455,334 S	4/2002	Ivankovic		D715,133 S	10/2014	Pan	
D459,978 S	7/2002	Hollinger		D715,625 S	10/2014	Pan	
6,439,520 B1	8/2002	Johnson		D715,626 S	10/2014	Pan	
D511,088 S	11/2005	Chiu		D742,726 S	11/2015	Glass et al.	
D517,402 S	3/2006	Cairns		D760,068 S	6/2016	Sehl	
7,198,088 B2	4/2007	McMenamin et al.		D767,378 S	9/2016	Sehl	
7,370,839 B2	5/2008	Putman		9,609,974 B2	4/2017	Mateer	
D591,143 S	4/2009	Ernst et al.		9,687,092 B2	6/2017	Cabanes	
D605,931 S	12/2009	Piersant		D808,779 S	1/2018	Shoenhair et al.	
				2008/0164393 A1	7/2008	Hung	
				2009/0032659 A1	2/2009	Goldstein	

* cited by examiner

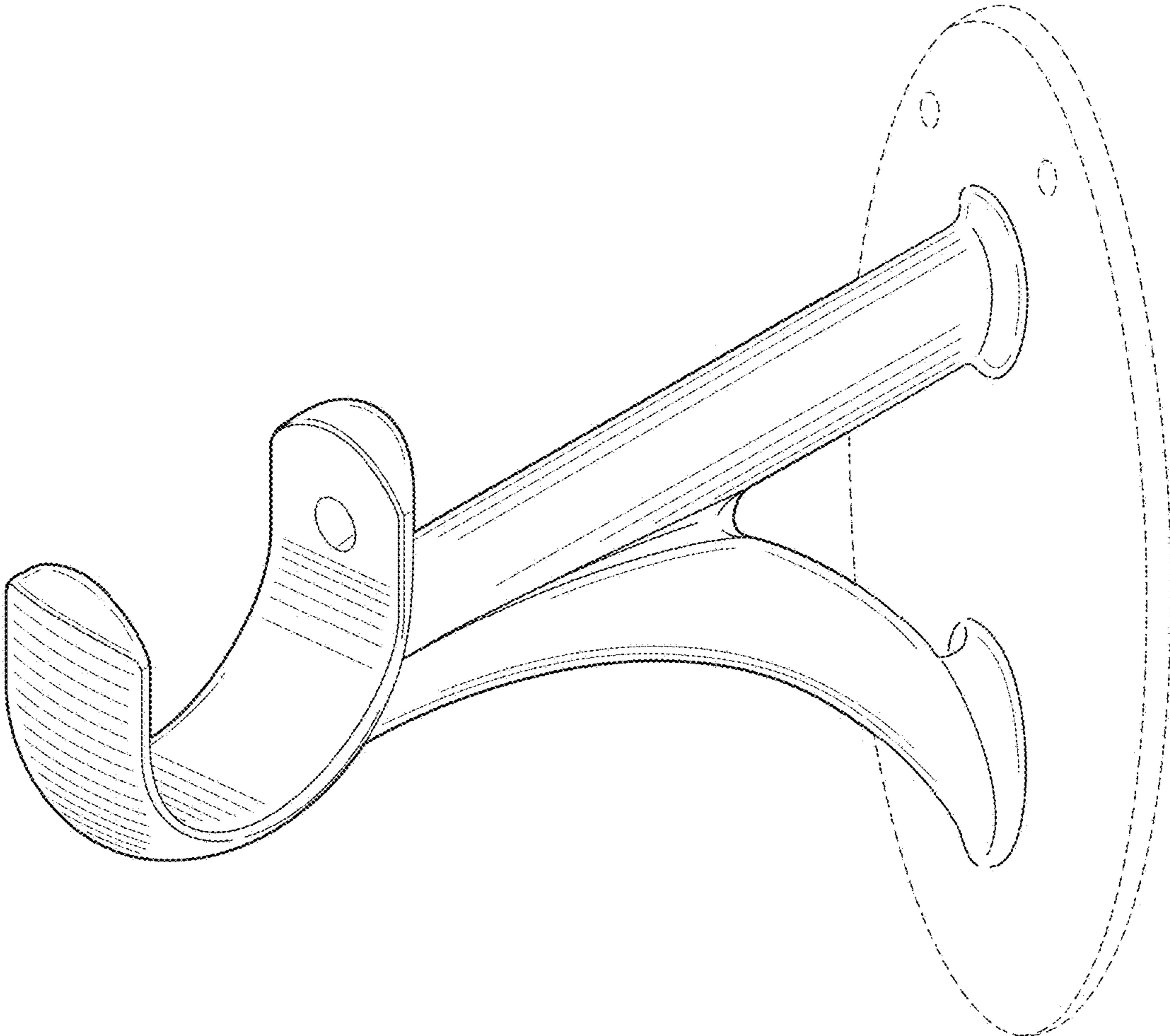


FIG. 1

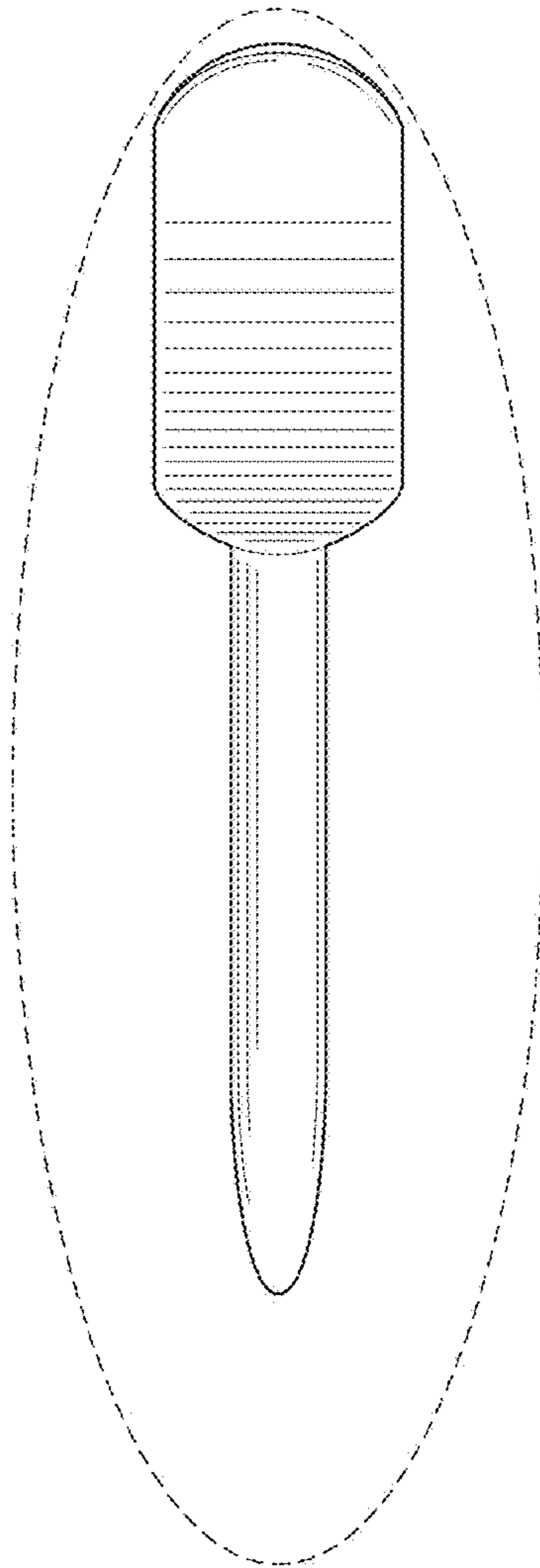


FIG. 2

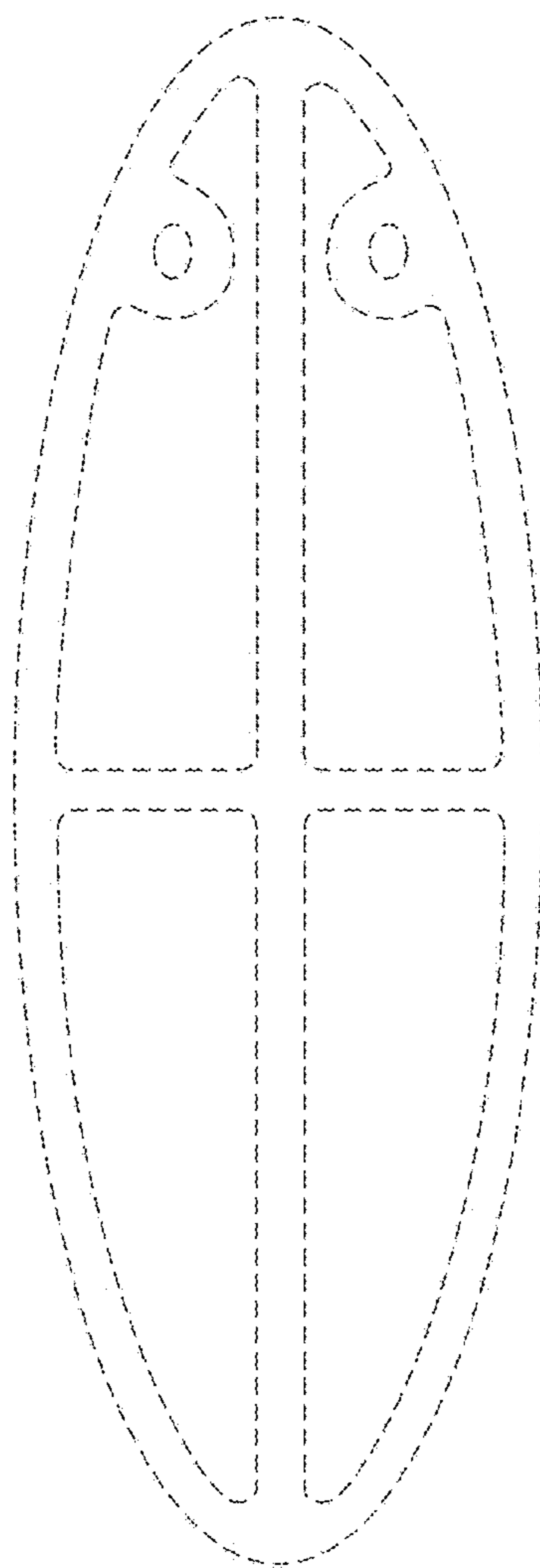


FIG. 3

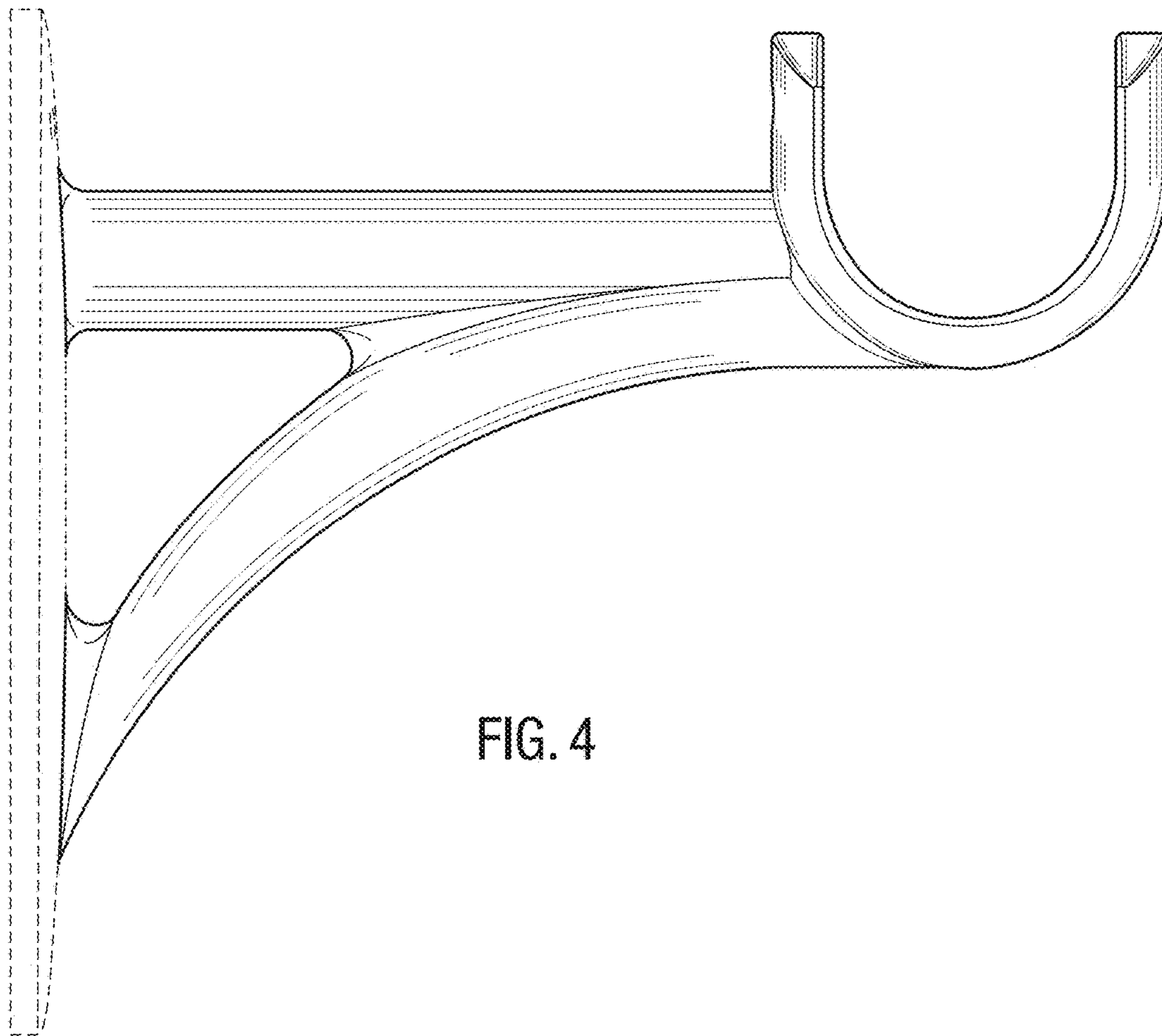


FIG. 4

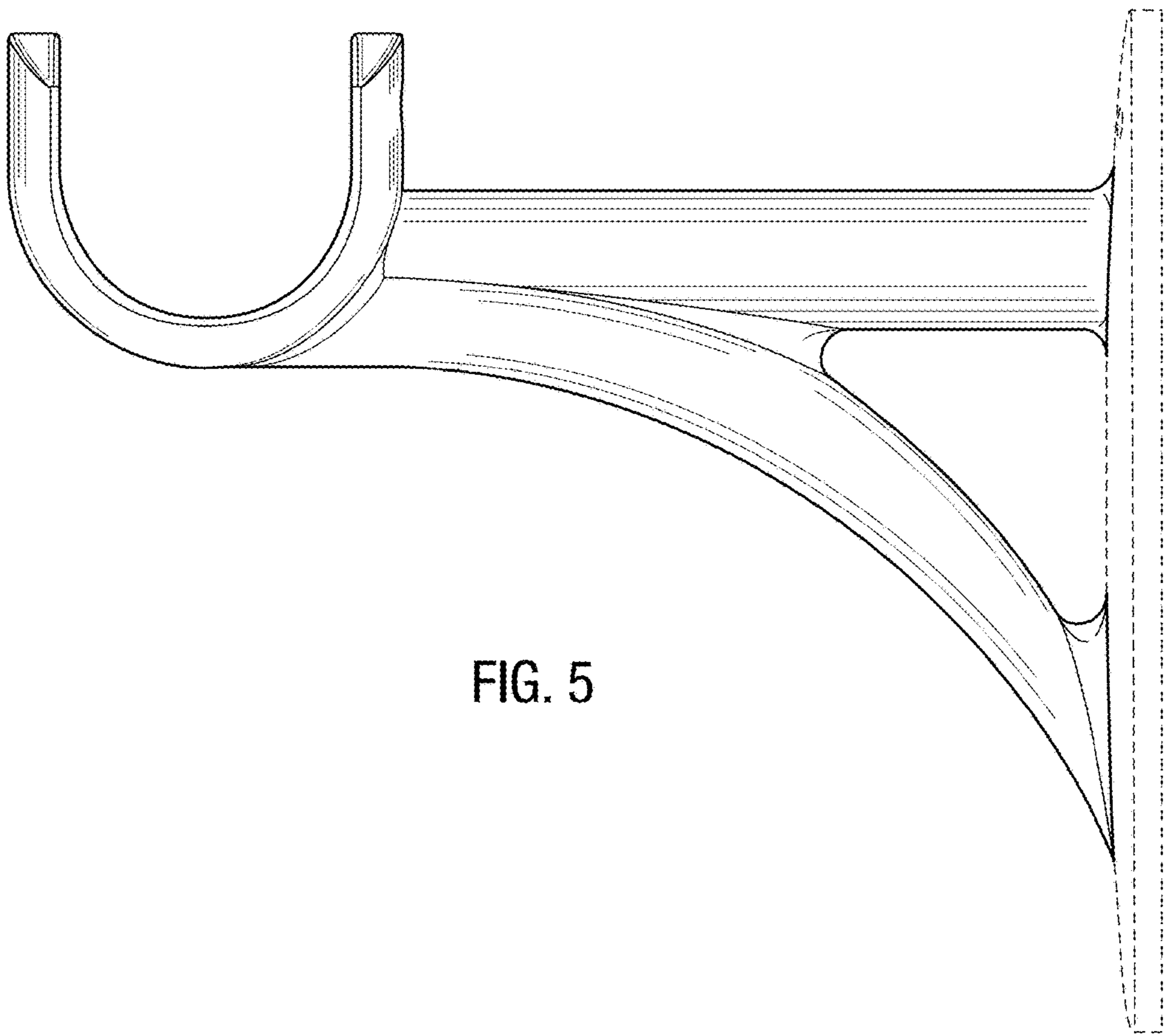


FIG. 5

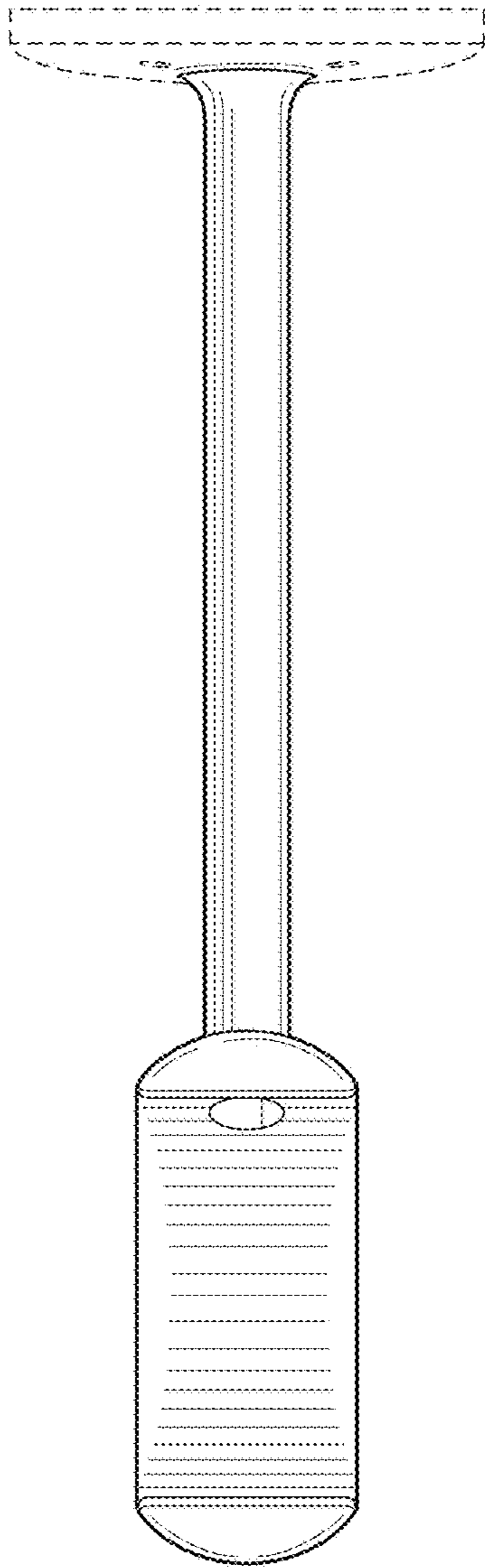


FIG. 6

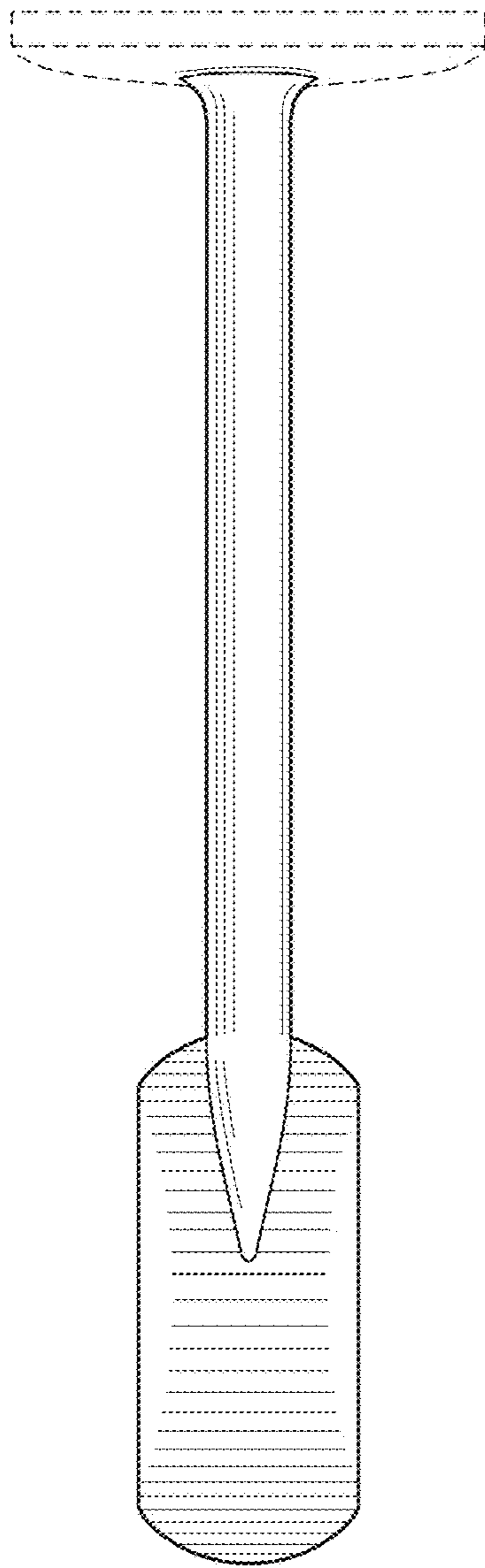


FIG. 7