



US00D847612S

(12) **United States Design Patent**
Martino et al.

(10) **Patent No.:** **US D847,612 S**
(45) **Date of Patent:** **** May 7, 2019**

(54) **CABLE CONNECTOR WITH A GROMMET AND INSERT**

(71) Applicant: **IPEX TECHNOLOGIES INC.,**
Oakville (CA)

(72) Inventors: **Filippo Martino, Oakville (CA);**
Jeffrey Vincent Littlefield, Mississauga
(CA)

(73) Assignee: **IPEX TECHNOLOGIES INC.,**
Oakville (CA)

(**) Term: **15 Years**

(21) Appl. No.: **29/630,296**

(22) Filed: **Dec. 20, 2017**

Related U.S. Application Data

(62) Division of application No. 29/587,939, filed on Dec. 16, 2016, now Pat. No. Des. 811,858.

(30) **Foreign Application Priority Data**

Oct. 21, 2016 (CA) 171135

(51) **LOC (11) Cl.** **08-05**

(52) **U.S. Cl.**
USPC **D8/356**

(58) **Field of Classification Search**
USPC D8/356, 354, 349, 325; D13/155;
320/107
CPC H01R 13/59; H01R 13/5845
See application file for complete search history.

(56) **References Cited**

U.S. PATENT DOCUMENTS

3,062,475 A * 11/1962 Miller, Jr. A01K 97/06
242/404.3
3,667,783 A * 6/1972 Sotolongo H02G 3/0616
285/151.1

4,030,741 A * 6/1977 Fidrych F16L 5/00
174/653
4,150,798 A * 4/1979 Aragon H02G 11/02
191/12.2 R
4,390,142 A * 6/1983 Cheng H02G 11/02
242/388.1
4,510,798 A 4/1985 Prussin et al.
5,873,540 A * 2/1999 Hardin B65H 75/143
206/406
6,234,418 B1 * 5/2001 Donaldson B65H 75/28
191/12.2 R
6,966,791 B1 * 11/2005 Farr B65H 75/406
206/303
7,077,693 B1 * 7/2006 Symons H01R 13/72
191/12.4
D539,117 S * 3/2007 Sealey D8/349
D542,123 S * 5/2007 Symons D8/356
D554,017 S * 10/2007 Hampton D10/119.1
7,399,199 B2 * 7/2008 Symons H01R 13/72
439/242
D591,678 S * 5/2009 Whitley D13/133

(Continued)

Primary Examiner — Cynthia R Underwood

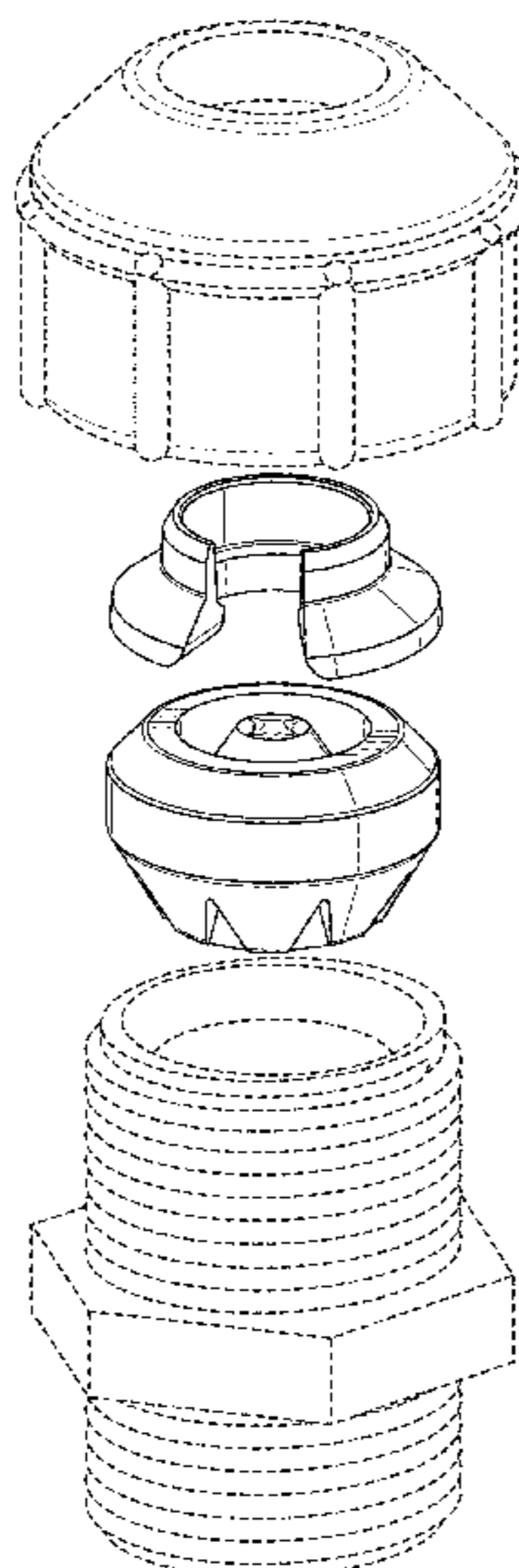
(57) **CLAIM**

We claim the ornamental design for a cable connector with a grommet and insert, as shown and as described.

DESCRIPTION

FIG. 1 is a top perspective view showing the design; FIG. 2 is a side view of the design shown in FIG. 1; FIG. 3 is a top view of the design shown in FIG. 1; and FIG. 4 is a bottom view of the design shown in FIG. 1. The broken line portions in the drawings are for illustrative purposes and do not form part of the claimed design. The broken lines represent portions of the structure that forms no part of the claim.

1 Claim, 3 Drawing Sheets



(56)

References Cited

U.S. PATENT DOCUMENTS

D598,480	S *	8/2009	Kanemitsu	D15/148
7,654,484	B2 *	2/2010	Mogensen	A61M 5/1418
				242/402
7,686,830	B2 *	3/2010	Collier	A61B 17/0401
				24/115 N
D631,730	S *	2/2011	Skillman	B65H 75/143
				D8/356
D644,306	S *	8/2011	Douglass, III	D23/269
D645,334	S *	9/2011	Kanemitsu	D8/360
D685,771	S *	7/2013	Bertenthal	D14/223
8,474,105	B2 *	7/2013	Naquin	B63B 21/20
				24/115 R
D716,640	S *	11/2014	Martinson	D8/356
D722,621	S *	2/2015	Gray	D15/28
D735,020	S *	7/2015	Bradford	D8/356
9,187,291	B2 *	11/2015	Alexandre	B65H 75/34
D748,455	S *	2/2016	Symons	D8/356
9,385,520	B1 *	7/2016	Gretz	H02G 15/013
9,793,624	B2 *	10/2017	Tremba	H01R 9/0524
D826,868	S *	8/2018	Mitchell	D13/155
10,082,169	B2 *	9/2018	Niesley	F16B 29/00
2002/0145073	A1 *	10/2002	Swanson	A61F 15/002
				242/588.3
2003/0122023	A1 *	7/2003	Pitcher	B65H 75/143
				242/388.1
2004/0178398	A1 *	9/2004	Miller	F16H 55/44
				254/390
2011/0036676	A1 *	2/2011	Skillman	B65H 75/143
				191/12.4
2011/0198110	A1	8/2011	Fujita	
2015/0200530	A1	7/2015	Chiu	

* cited by examiner

Fig. 1

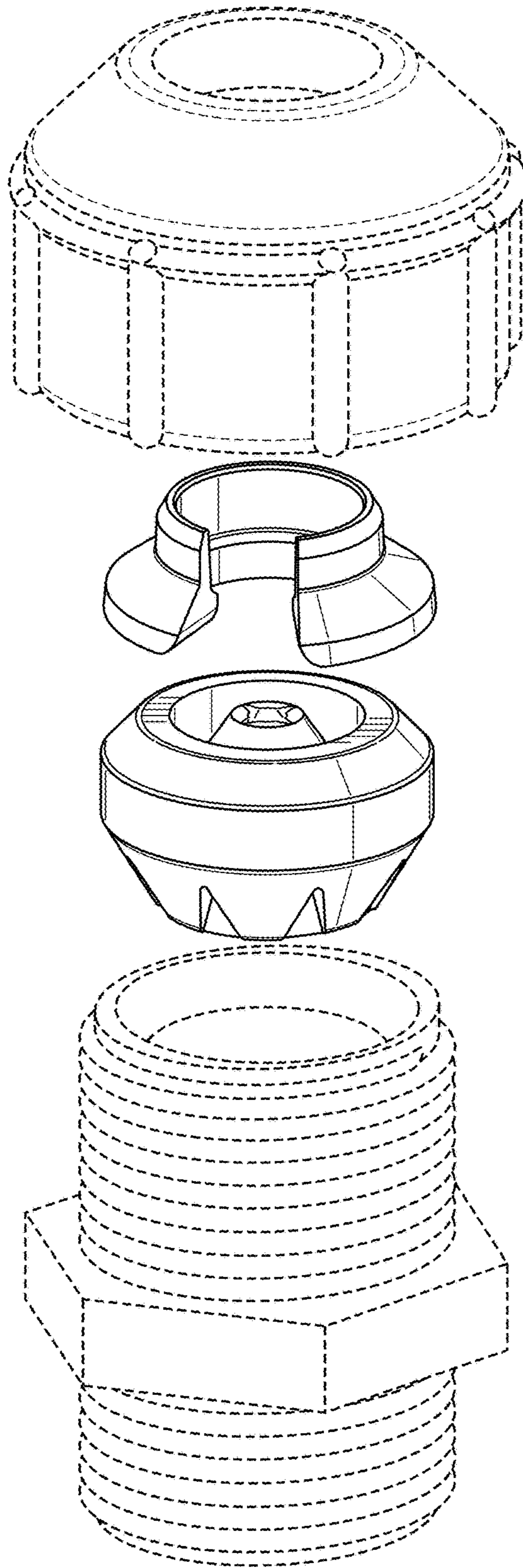


Fig. 2

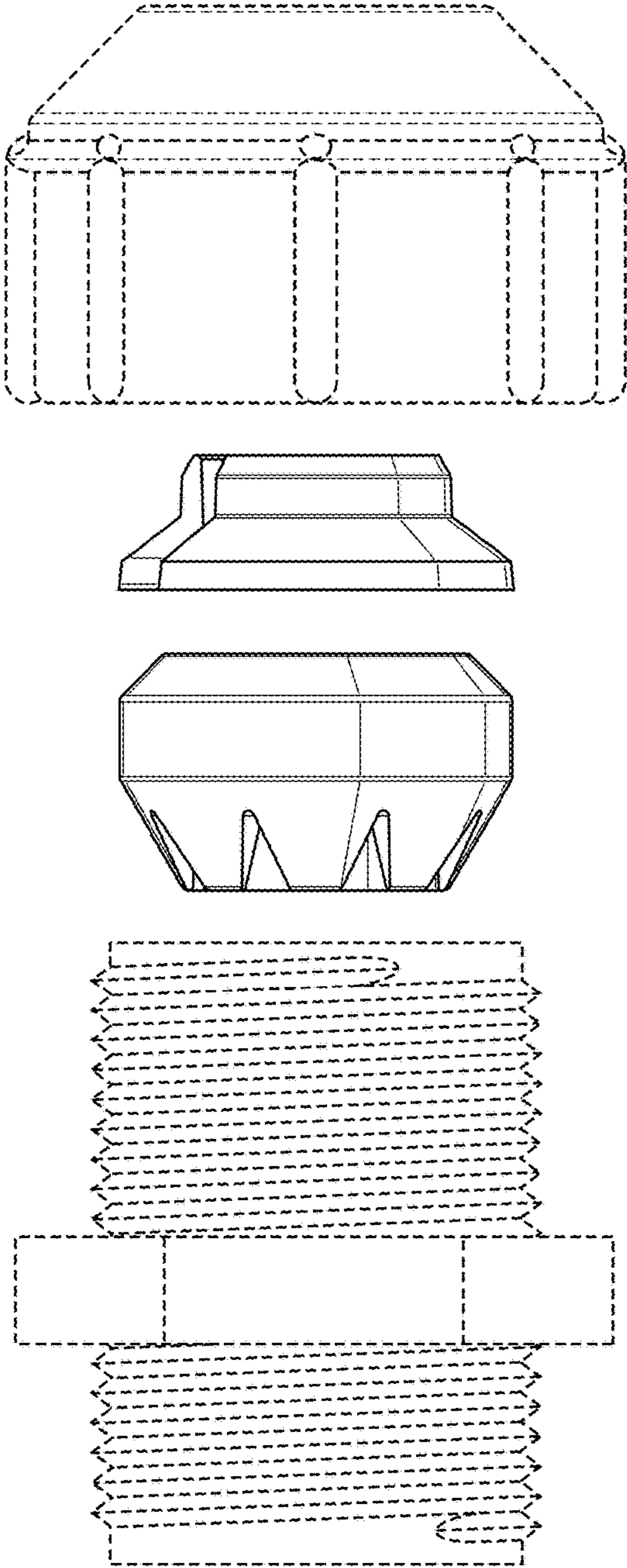


Fig. 3

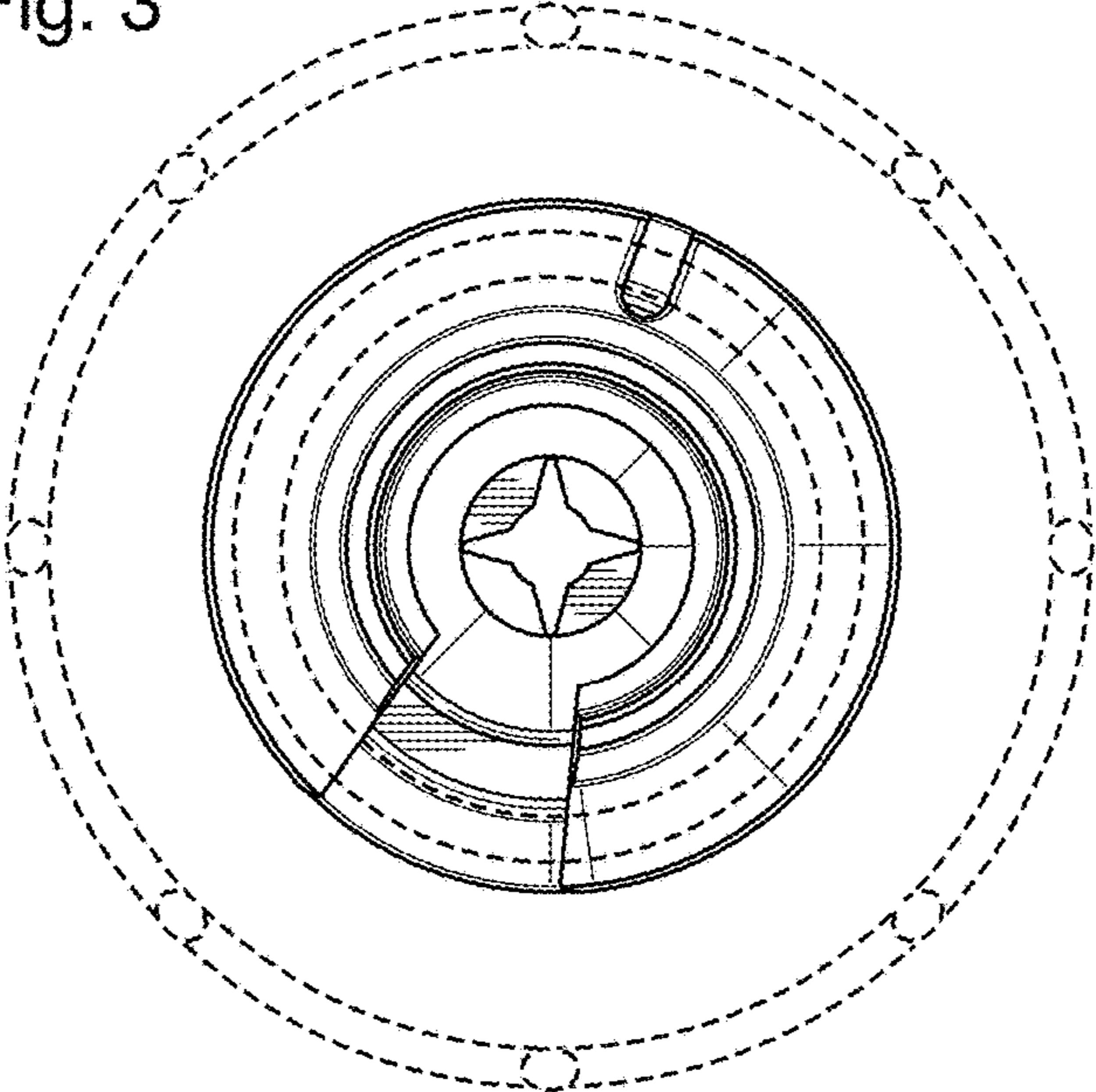


Fig. 4

