



US00D847611S

(12) **United States Design Patent** (10) **Patent No.:** **US D847,611 S**  
**Altamura** (45) **Date of Patent:** **\*\* May 7, 2019**

- (54) **WIRE MANAGER**
- (71) Applicant: **Seasonal Specialties, LLC**, Eden Prairie, MN (US)
- (72) Inventor: **Steven J. Altamura**, Scarsdale, NY (US)
- (73) Assignee: **Seasonal Specialties, LLC**, Eden Prairie, MN (US)
- (\*\*) Term: **15 Years**
- (21) Appl. No.: **29/594,082**
- (22) Filed: **Feb. 15, 2017**
- (51) **LOC (11) Cl.** ..... **08-05**
- (52) **U.S. Cl.**  
USPC ..... **D8/356; D8/396**
- (58) **Field of Classification Search**  
USPC ..... D8/349, 354, 356, 367, 382, 383, 394, D8/395, 396, 499  
CPC ..... B65D 63/00; B65D 63/02; B65D 63/10; B65D 63/1018; B65D 63/14; B65D 63/16; B65D 63/1063  
See application file for complete search history.

(56) **References Cited**

U.S. PATENT DOCUMENTS

D32,192	S	*	2/1900	Stegall	.....	59/87
935,151	A	*	9/1909	Harrell	.....	B68B 1/04 24/129 R
D200,729	S	*	3/1965	Coanda	.....	251/7
D243,062	S	*	1/1977	Malloy	.....	D8/382
D249,020	S	*	8/1978	Raniero	.....	D8/370
D276,305	S	*	11/1984	Hough, Sr.	.....	D8/14
D291,650	S	*	9/1987	Monzen	.....	D24/128
D292,385	S	*	10/1987	Udelhofen	.....	D11/210
D298,208	S	*	10/1988	Olsen	.....	D8/70
D329,788	S	*	9/1992	Andrew	.....	D8/17

5,288,047	A	*	2/1994	Pan	.....	F16L 3/237 248/229.26
5,383,638	A	*	1/1995	Dieringer	.....	A47G 33/10 248/231.81
D356,730	S	*	3/1995	Lee	.....	D8/395
5,613,656	A	*	3/1997	Protz, Jr.	.....	H02G 7/08 24/115 F
D409,081	S	*	5/1999	Protz, Jr.	.....	D8/367
D419,856	S	*	2/2000	Richter	.....	D8/367
D467,492	S	*	12/2002	Wieder	.....	D8/356
6,880,714	B2	*	4/2005	Blanchester	.....	B65D 23/003 215/395
D535,562	S	*	1/2007	Wisler	.....	D9/434
D541,943	S	*	5/2007	Stewart	.....	D24/199
7,350,756	B2	*	4/2008	Woltmann	.....	A01K 15/025 24/546
D587,569	S	*	3/2009	Eveleth	.....	D9/434
D619,448	S	*	7/2010	Shepardson	.....	D8/367

(Continued)

*Primary Examiner* — Sandra S Snapp  
*Assistant Examiner* — Ieisha N Price  
(74) *Attorney, Agent, or Firm* — Altera Law Group, LLC

(57) **CLAIM**

The ornamental design for a wire manger, as shown and described.

**DESCRIPTION**

FIG. 1 is an environmental perspective view of a wire manger with a support pole and power cord disclaimed from the claimed design.

FIG. 2 is a perspective view thereof.

FIG. 3 is a top plan view thereof.

FIG. 4 is a bottom plan view thereof.

FIG. 5 is a right side elevation view thereof.

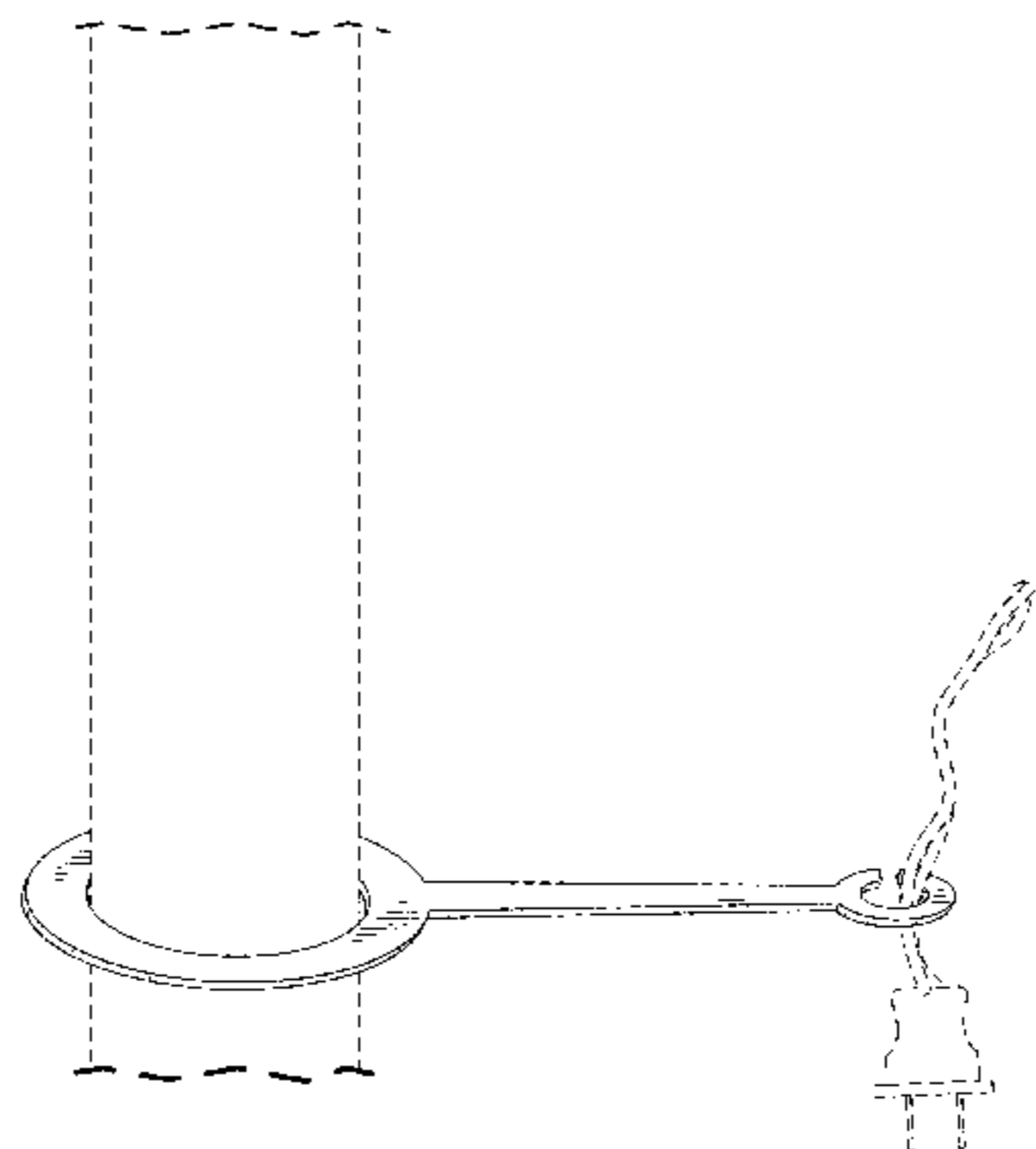
FIG. 6 is a left side elevation view thereof.

FIG. 7 is a front elevation view thereof; and,

FIG. 8 is a back elevation view thereof.

The features shown in broken lines depict environmental subject matter only and form no part of the claimed design.

**1 Claim, 3 Drawing Sheets**



(56)

**References Cited**

U.S. PATENT DOCUMENTS

D641,708 S *	7/2011	Yamauchi	.....	D13/154
D660,690 S *	5/2012	Mixides	.....	D8/396
D717,692 S *	11/2014	Breen	.....	D11/210
D732,933 S *	6/2015	Jansen	.....	D8/356
D739,853 S *	9/2015	Lee	.....	D14/253
D749,409 S *	2/2016	Martinson	.....	D8/396
D802,399 S *	11/2017	Ward	.....	D8/367
D811,859 S *	3/2018	Orser	.....	D8/356
D826,178 S *	8/2018	Ridl	.....	D13/154
2013/0232731 A1 *	9/2013	Schradin	.....	B65D 63/1018 24/16 R

\* cited by examiner

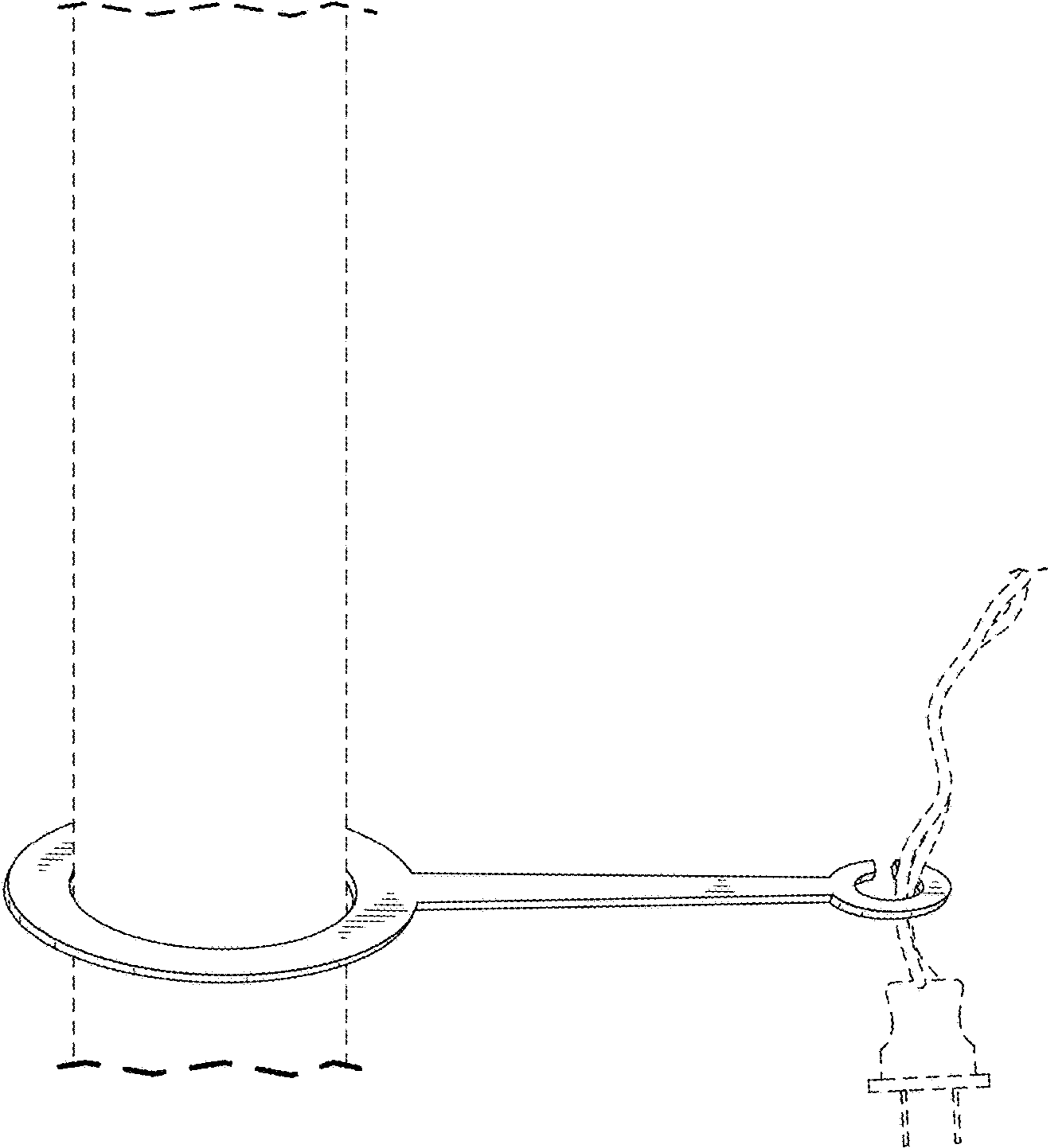
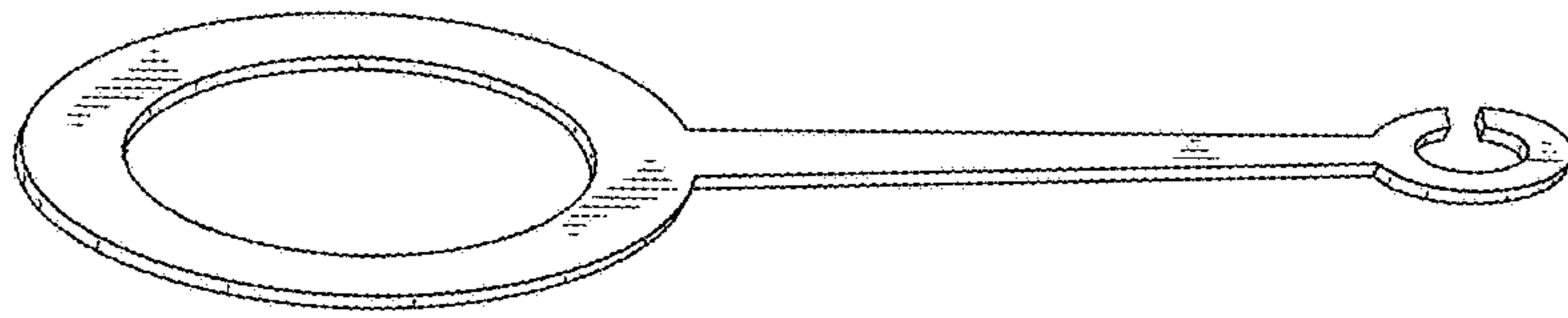
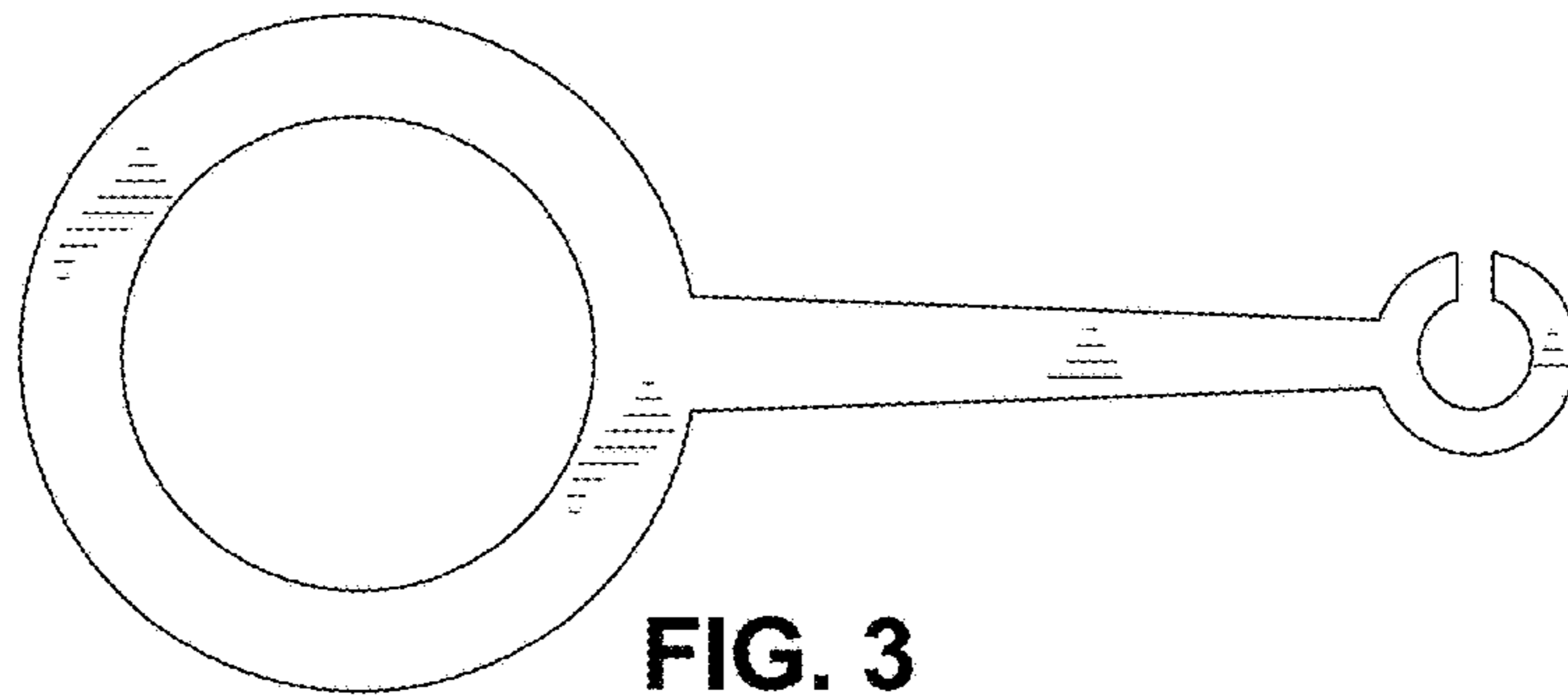


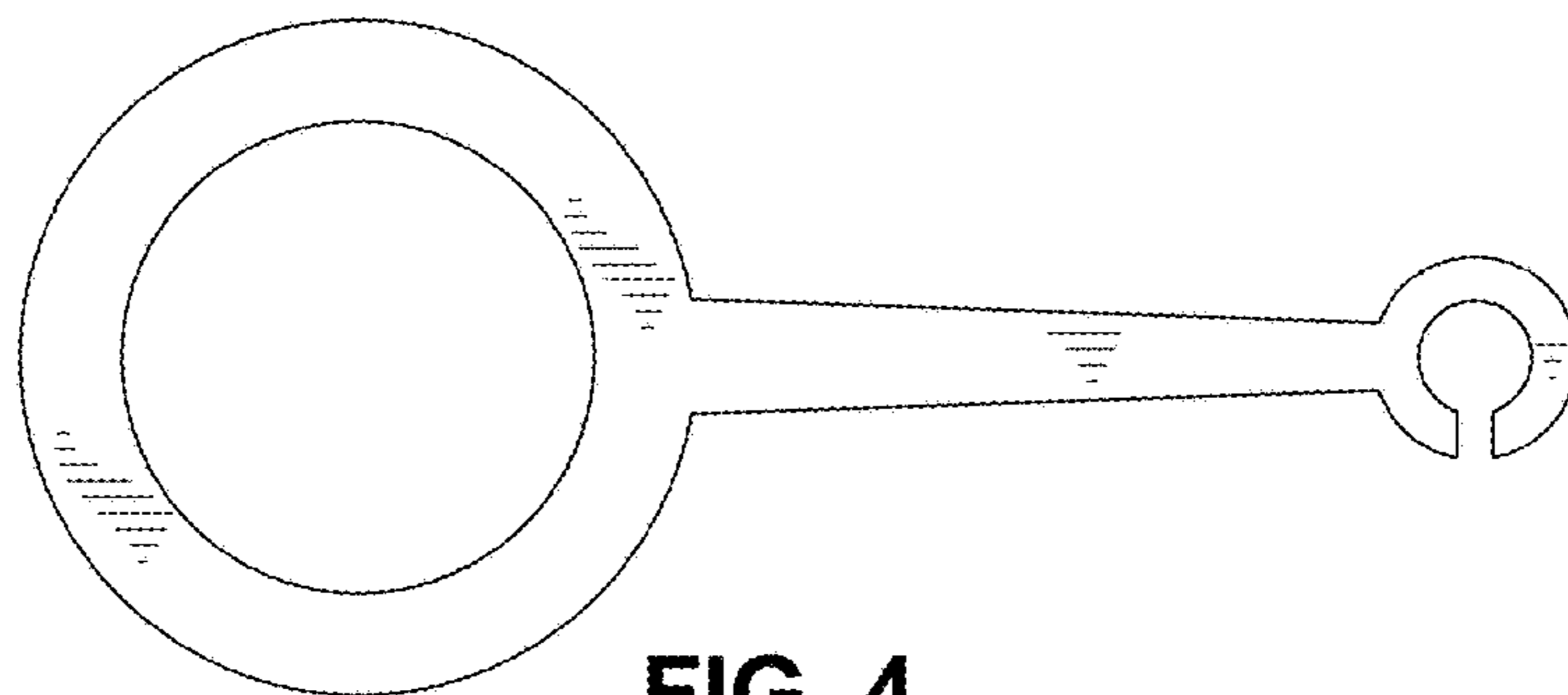
FIG. 1



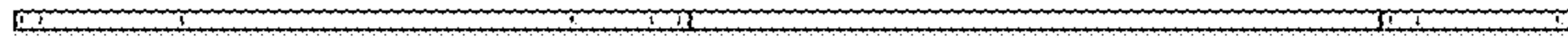
**FIG. 2**



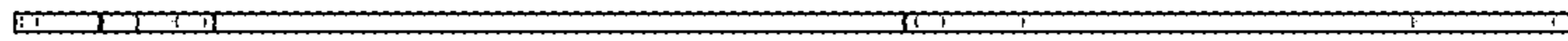
**FIG. 3**



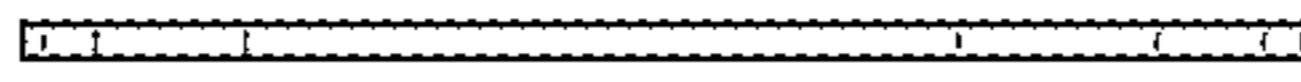
**FIG. 4**



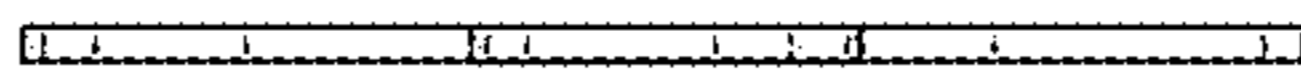
**FIG. 5**



**FIG. 6**



**FIG. 7**



**FIG. 8**