



US00D847607S

(12) **United States Design Patent**
Granberg

(10) **Patent No.:** **US D847,607 S**

(45) **Date of Patent:** **** May 7, 2019**

(54) **POST CLAMP BRACKET**

(71) Applicant: **Erik Granberg**, Pleasant Hill, CA (US)

(72) Inventor: **Erik Granberg**, Pleasant Hill, CA (US)

(**) Term: **15 Years**

(21) Appl. No.: **29/581,679**

(22) Filed: **Oct. 20, 2016**

(51) **LOC (11) Cl.** **08-08**

(52) **U.S. Cl.**
USPC **D8/349**

(58) **Field of Classification Search**
USPC D8/349, 354, 373, 380, 394, 382, 396
CPC G09F 17/00; G09F 2017/005; G09F
2017/0058; F16L 3/02; Y10T 24/44;
Y10T 24/1437

See application file for complete search history.

(56) **References Cited**

U.S. PATENT DOCUMENTS

3,955,250 A	5/1976	Heckethorn	
4,040,152 A	8/1977	Gilgallon	
4,249,759 A	2/1981	Heckethorn	
4,265,005 A	5/1981	Heckethorn	
4,388,749 A	6/1983	Sassak	
4,488,334 A	12/1984	Goforth	
4,506,418 A *	3/1985	Viola	F16L 25/04 24/20 CW
4,602,811 A	7/1986	Heckethorn et al.	
D294,457 S *	3/1988	Doty	D8/373
4,899,991 A *	2/1990	Brunkan	E04H 17/1434 256/24
5,205,022 A	4/1993	Norton	
5,215,281 A	6/1993	Sherman	
5,274,888 A	1/1994	Payne	
5,394,728 A	3/1995	Oaks	
D367,069 S *	2/1996	Thom, Jr.	D15/143
D381,113 S *	7/1997	Safyan	D13/149

D396,799 S *	8/1998	Jones	D8/349
D436,028 S	1/2001	Wagner et al.	
6,234,541 B1	5/2001	Wagner et al.	
D447,045 S *	8/2001	Hundley	D25/114
6,347,904 B1 *	2/2002	Knighton	E04C 5/166 248/65
D504,304 S *	4/2005	Hancock	D12/223
D537,332 S *	2/2007	Nagle	D8/396
7,191,988 B2 *	3/2007	Kim	F16L 3/085 248/229.2
D539,639 S *	4/2007	Nagle	D8/396
D540,157 S *	4/2007	Nagle	D8/396
D615,847 S *	5/2010	Tezak	D8/349
D622,585 S *	8/2010	Walker, Jr.	D8/396
D629,920 S *	12/2010	Tezak	D25/114
8,317,163 B1 *	11/2012	Cammack	F16B 7/0433 16/86.1
D687,698 S *	8/2013	Machijima	D8/354
D742,213 S *	11/2015	Sasanecki	D8/396
9,200,654 B1 *	12/2015	Parduhn	F16B 7/0493
D758,178 S *	6/2016	Kim	D8/396

(Continued)

Primary Examiner — Mark A Goodwin

(74) *Attorney, Agent, or Firm* — Kevin Roe

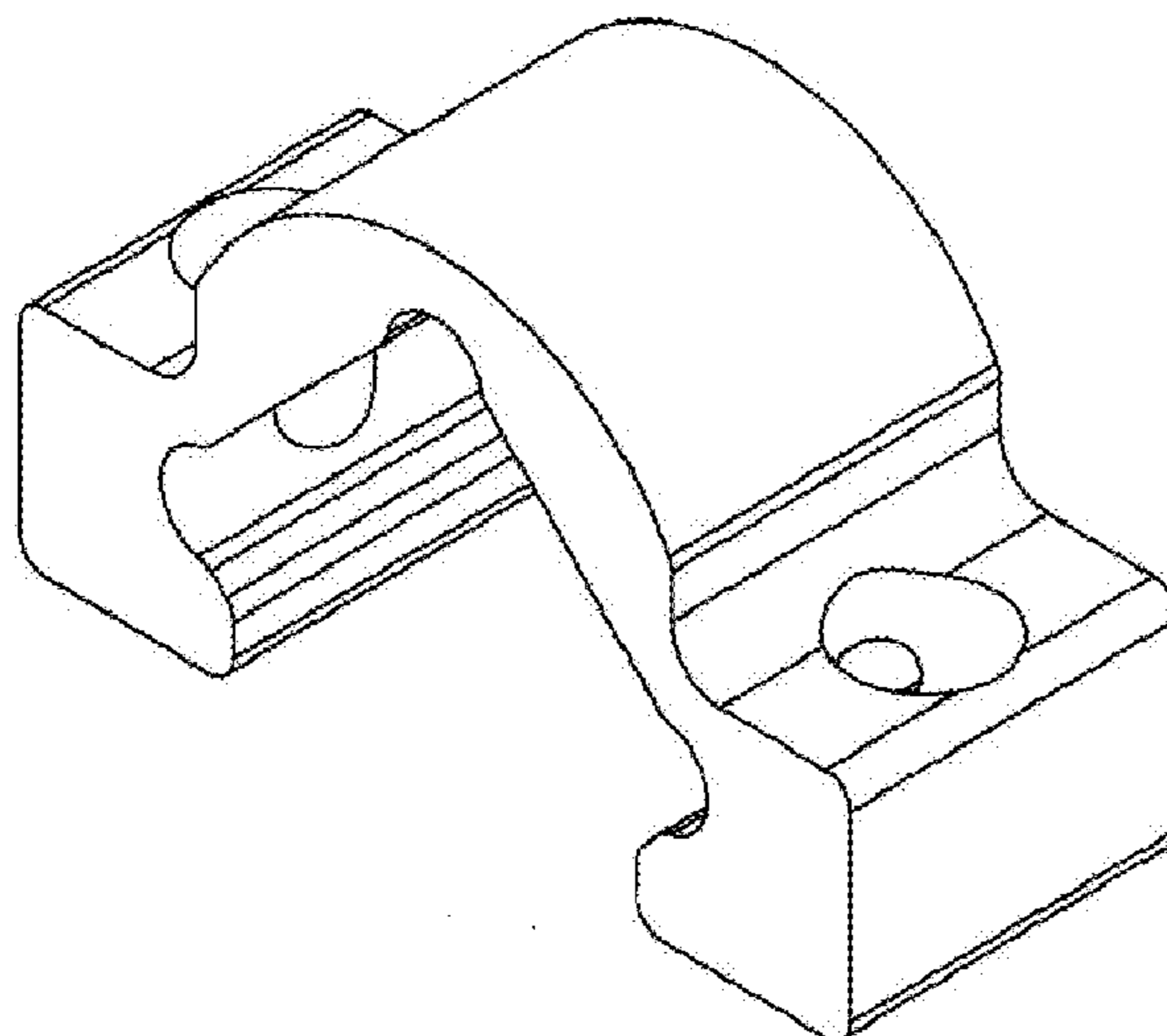
(57) **CLAIM**

The ornamental design for a post clamp bracket, as shown and described.

DESCRIPTION

FIG. 1 is a front view of a post clamp bracket showing my new design;
FIG. 2 is a left side view thereof;
FIG. 3 is a right side view thereof;
FIG. 4 is a rear view thereof;
FIG. 5 is a top front-left angled isometric view thereof;
FIG. 6 is a bottom rear-right angled isometric view thereof;
FIG. 7 is a top-down view thereof; and,
FIG. 8 is a bottom-up view of a post clamp bracket.

1 Claim, 8 Drawing Sheets



(56)

References Cited

U.S. PATENT DOCUMENTS

D762,436	S	8/2016	Gill et al.	
D763,069	S *	8/2016	Lee	D8/396
D794,422	S *	8/2017	Moon	D8/349
D794,423	S *	8/2017	Moon	D8/349
9,989,169	B2 *	6/2018	Patil	F16L 3/24
2014/0264220	A1 *	9/2014	Doyle	E04H 17/1421 256/65.06
2014/0318828	A1 *	10/2014	Nelson	H01B 17/145 174/163 F

* cited by examiner

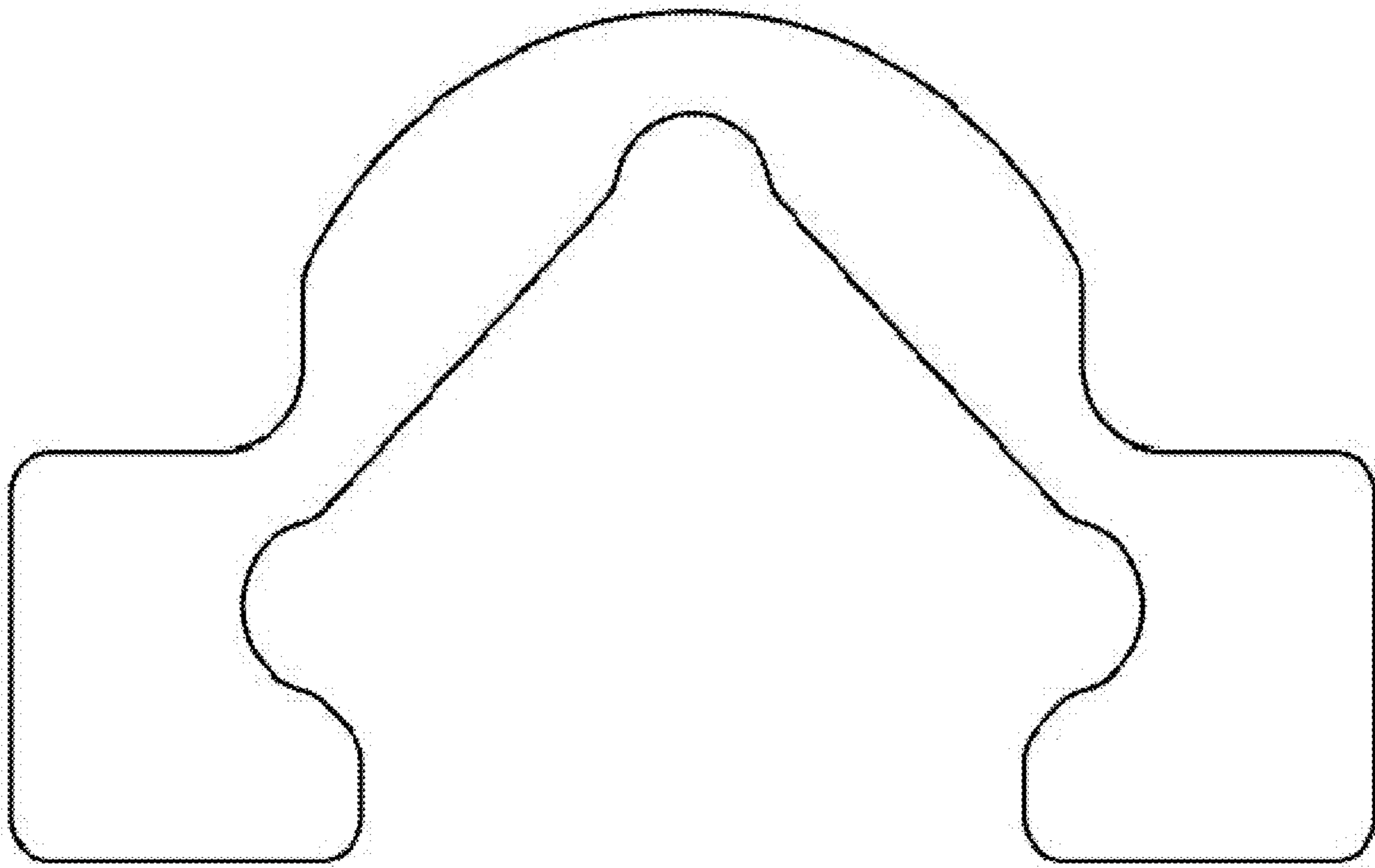


FIG. 1

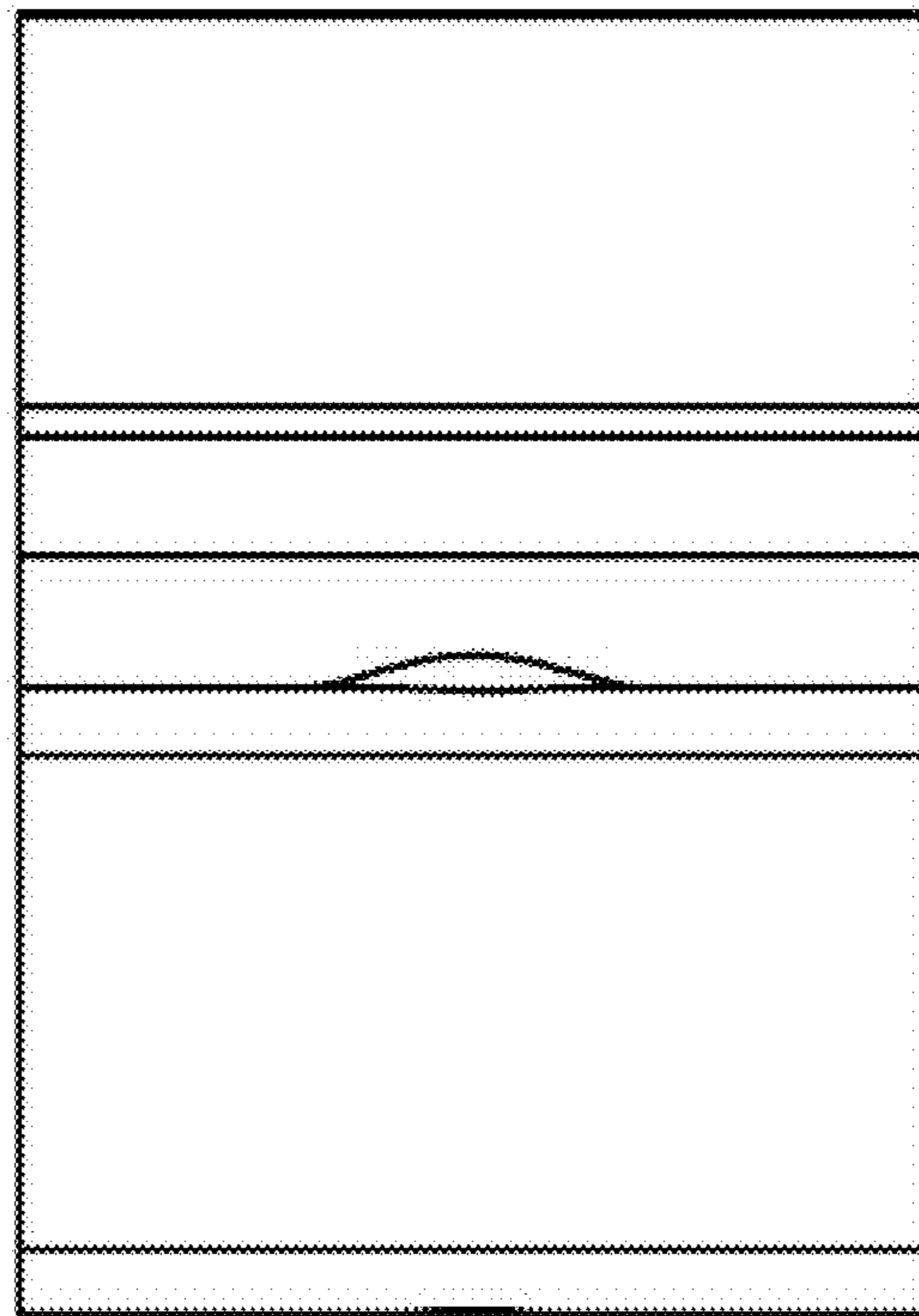


FIG. 2

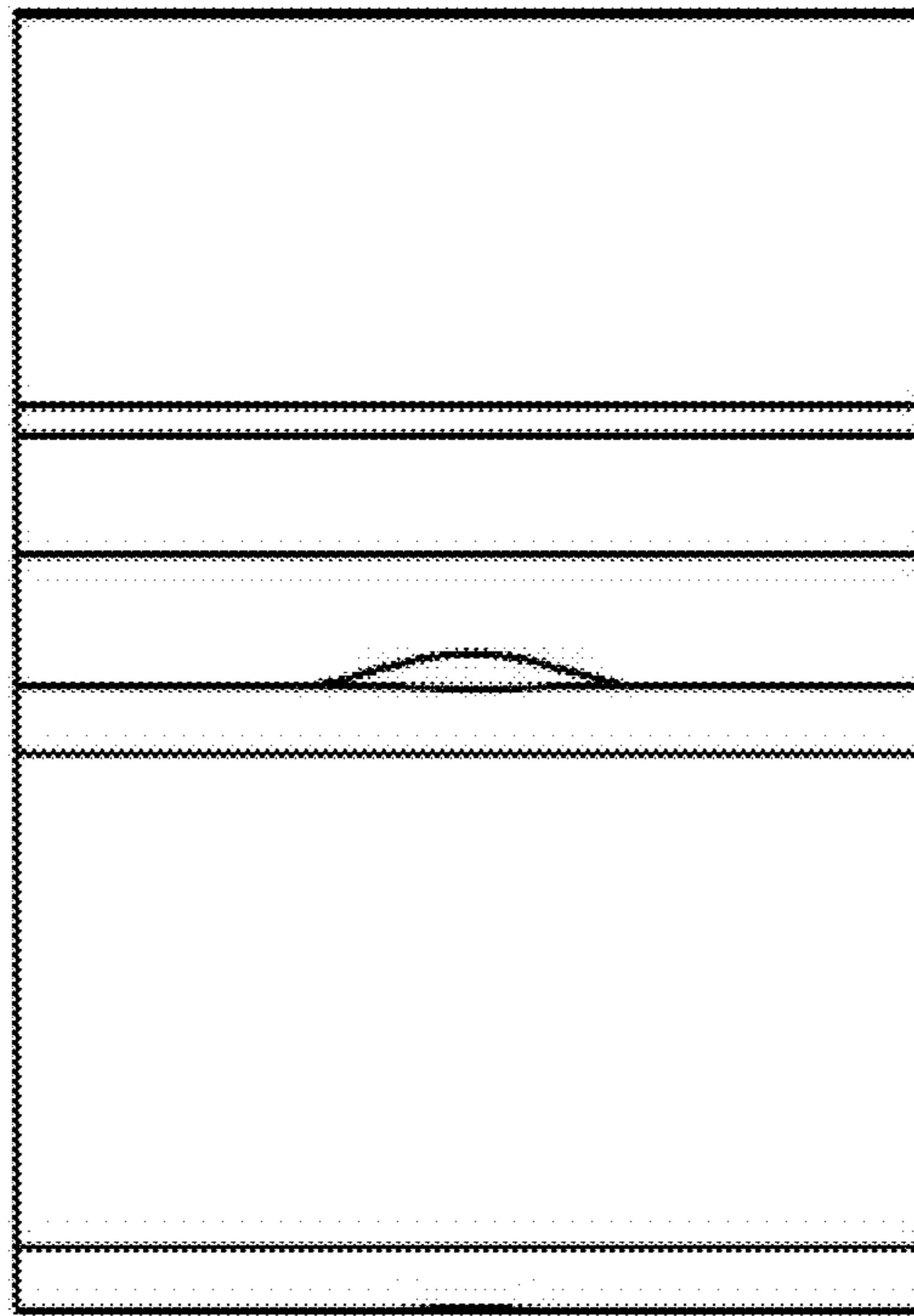


FIG. 3

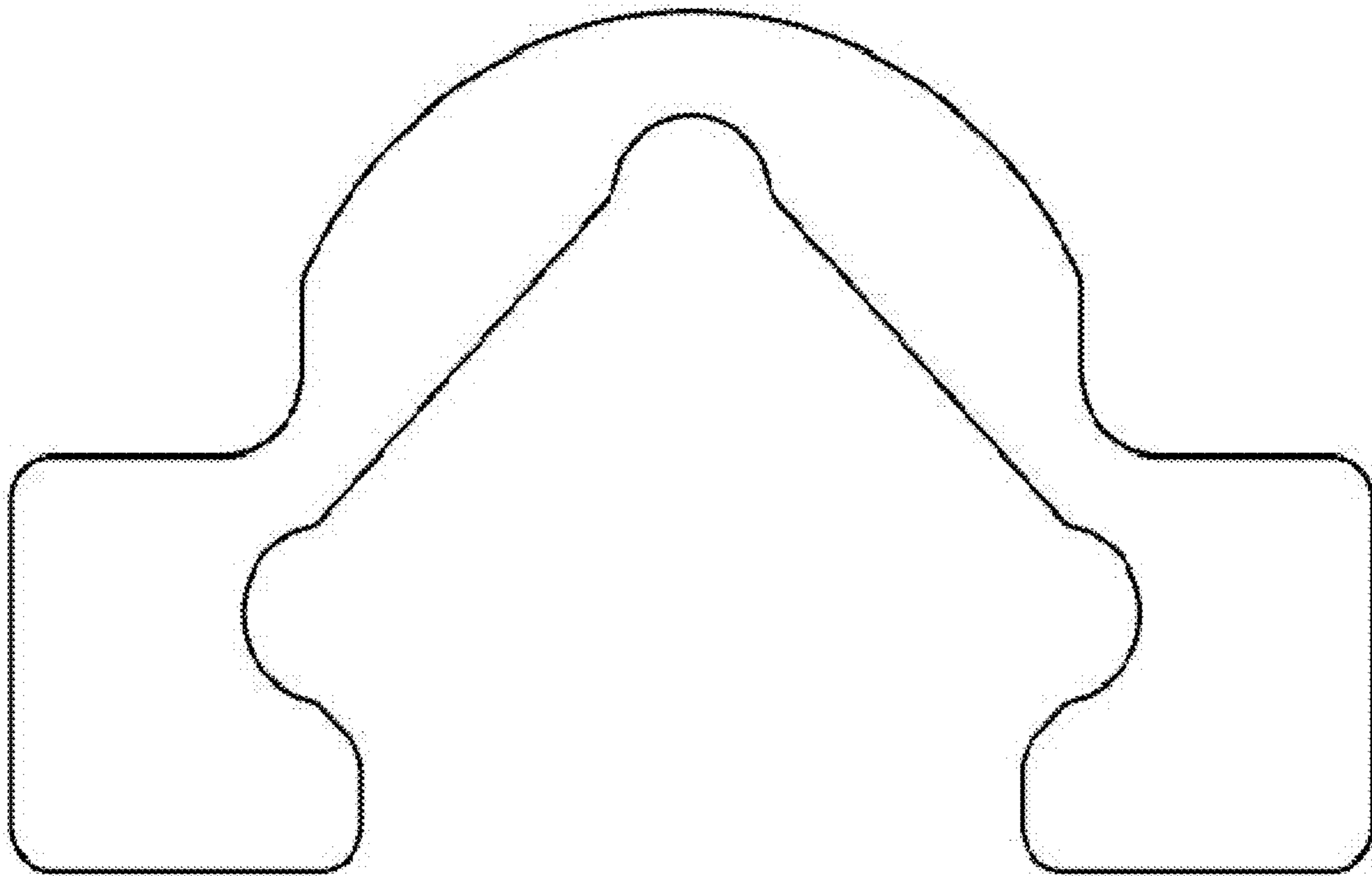


FIG. 4

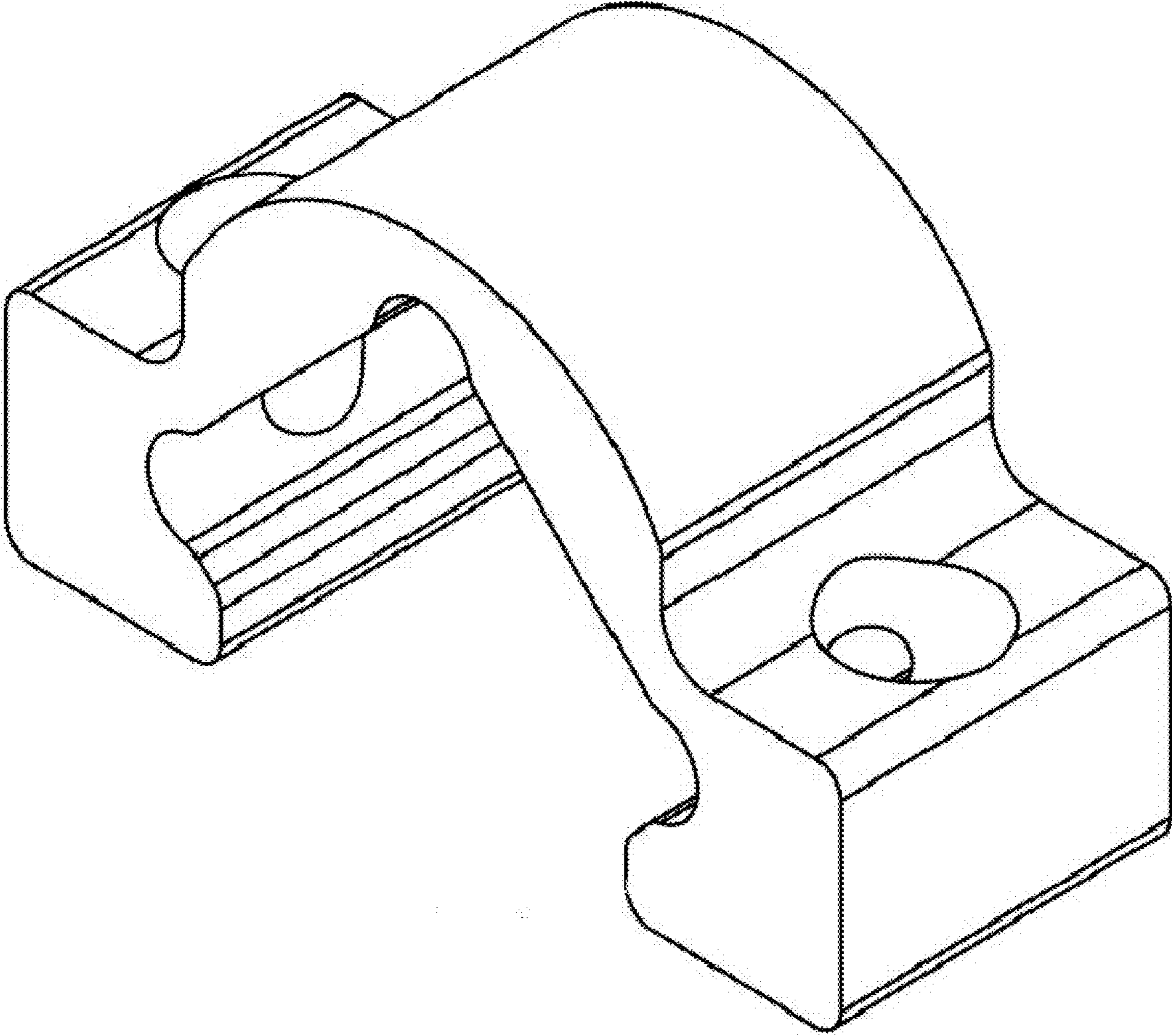


FIG. 5

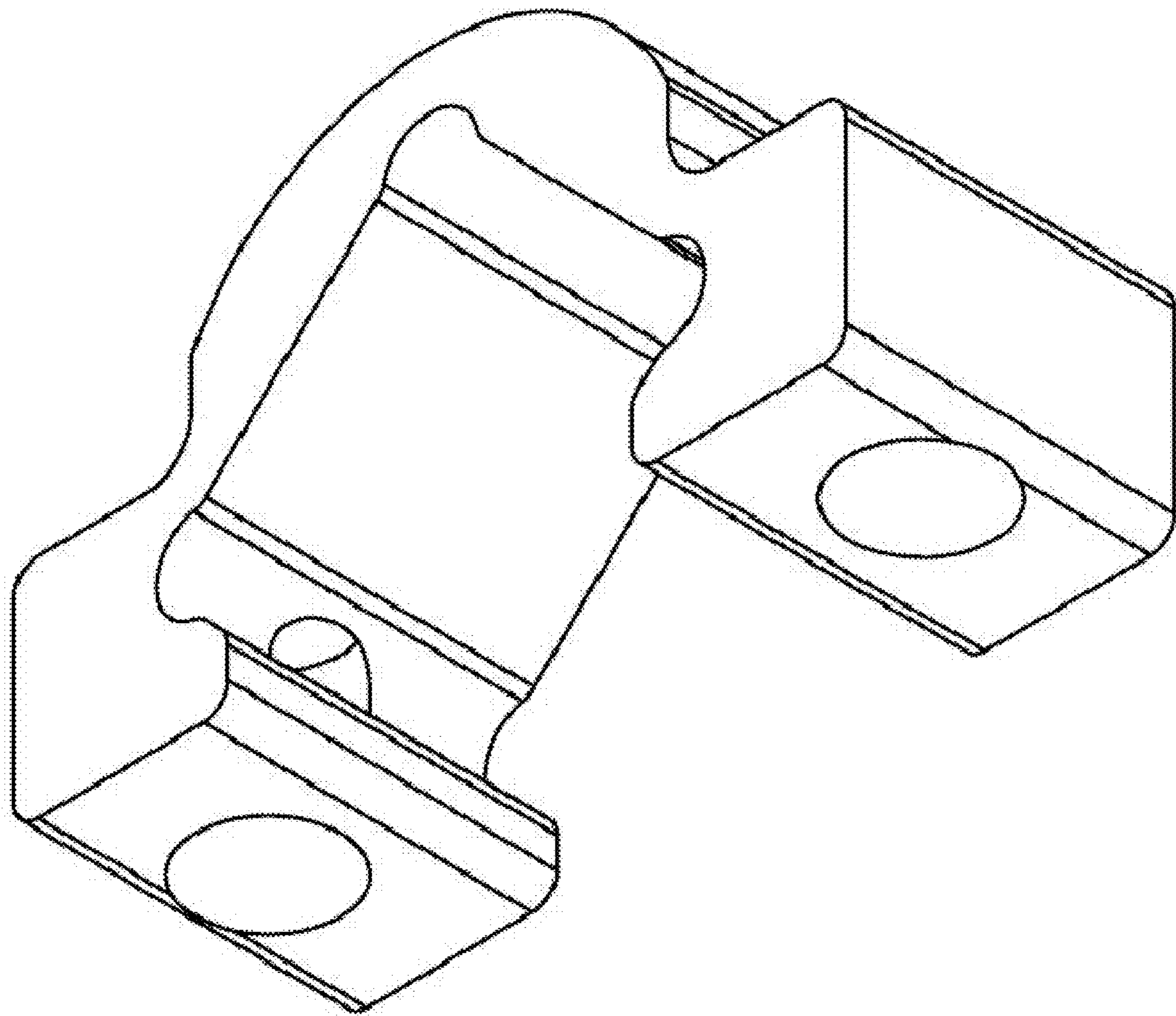


FIG. 6

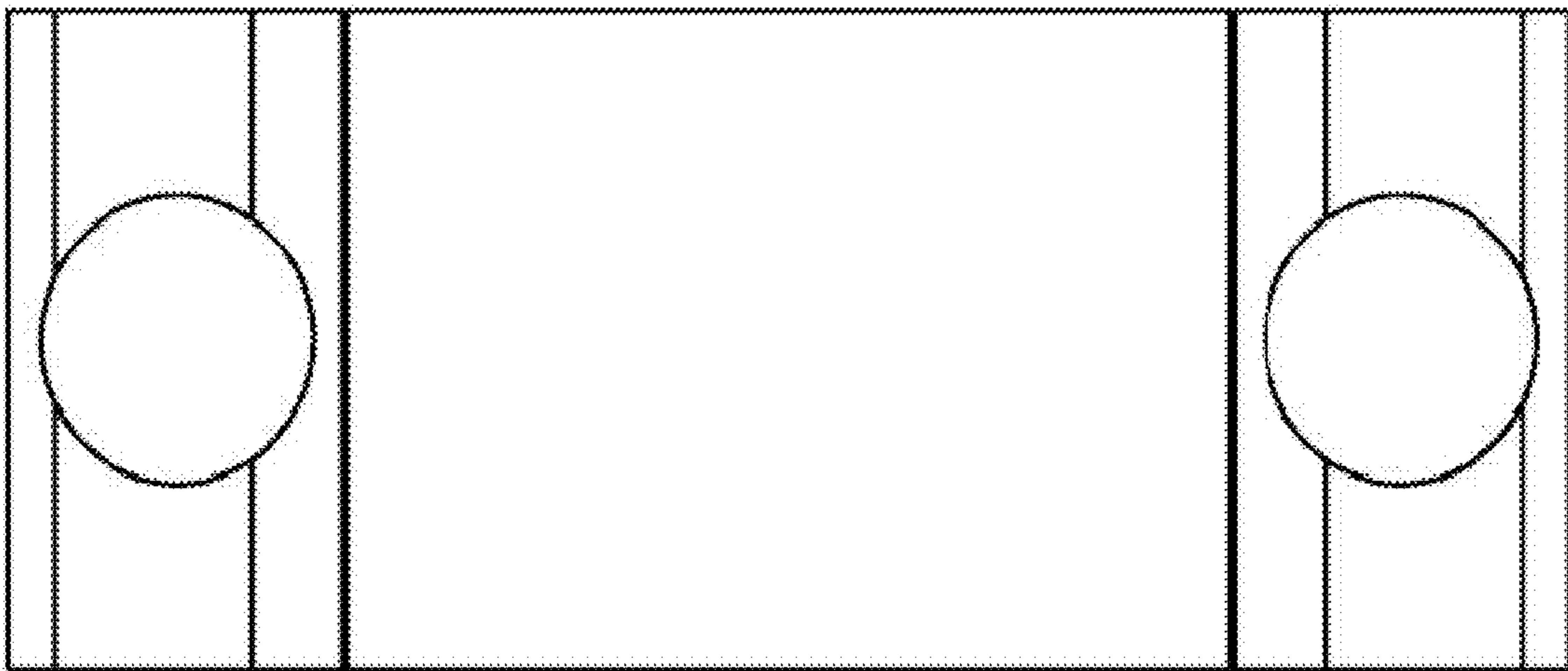


FIG. 7

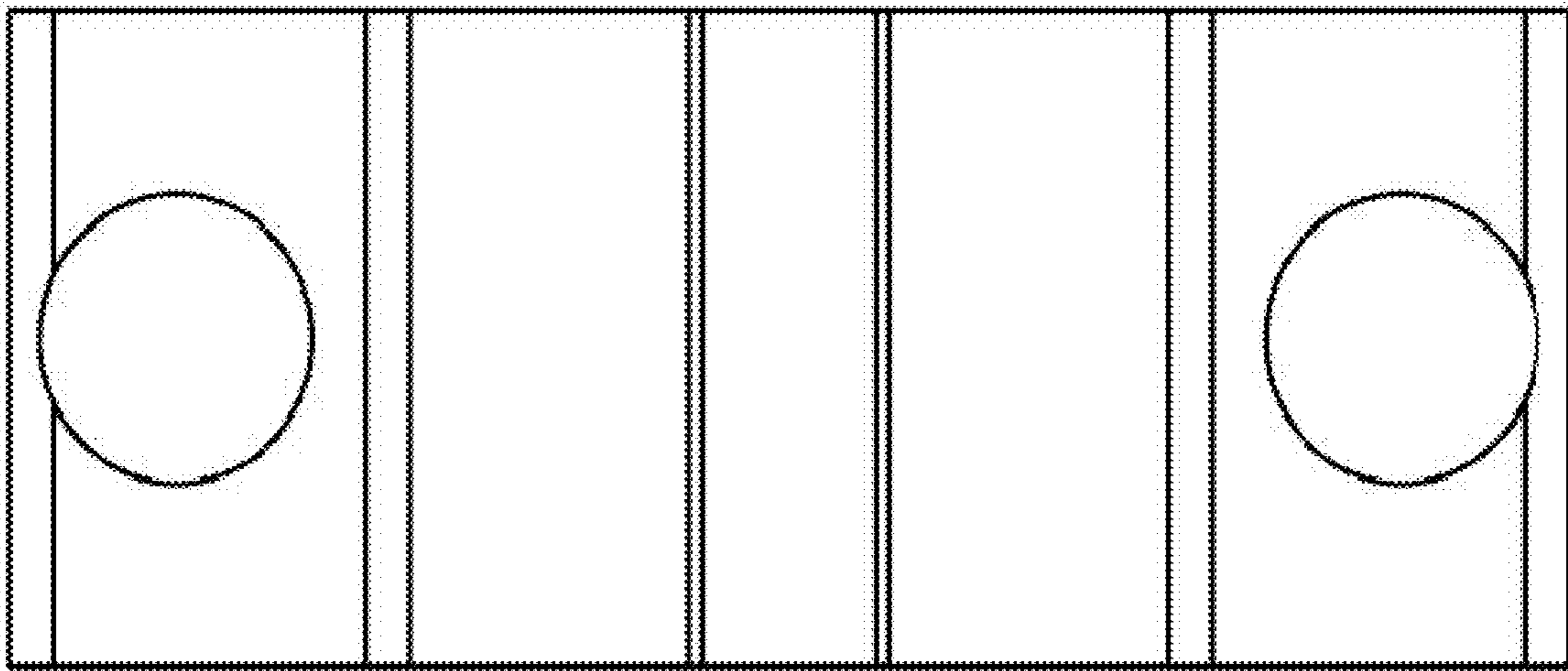


FIG. 8