

US00D847606S

(12) **United States Design Patent**
Heinemann et al.

(10) **Patent No.:** **US D847,606 S**

(45) **Date of Patent:** **** May 7, 2019**

(54) **BICYCLE LOCK HOLDER**

5,215,231 A * 6/1993 Paczonay B62J 11/00
222/212

(71) Applicant: **ABUS August Bremicker Söhne KG,**
Wetter/Volmarstein (DE)

5,291,765 A * 3/1994 Hoisington B62H 5/003
70/18

(72) Inventors: **Stefan Heinemann,** Wetter (DE);
Andreas Kipping, Brunken (DE)

5,405,113 A * 4/1995 Jaw B62J 11/00
224/425

(Continued)

(73) Assignee: **ABUS AUGUST BREMICKER**
SOHNE KG, Wetter/Volmarstein (DE)

FOREIGN PATENT DOCUMENTS

(**) Term: **15 Years**

EP 001284848-0005 7/2011
EP 001284848-0006 7/2011

(21) Appl. No.: **29/628,796**

Primary Examiner — Mark A Goodwin

(22) Filed: **Dec. 7, 2017**

(74) *Attorney, Agent, or Firm* — Global IP Counselors,
LLP

(30) **Foreign Application Priority Data**

(57) **CLAIM**

Jun. 9, 2017 (EM) 004039402

The ornamental design for a bicycle lock holder, as shown
and described.

(51) **LOC (11) Cl.** **08-07**

DESCRIPTION

(52) **U.S. Cl.**

USPC **D8/331;** D8/343; D8/349

(58) **Field of Classification Search**

USPC D8/330-346; 248/309.1, 316.1, 616.5;
70/233

CPC ... B62J 99/00; B62J 11/00; B62H 5/00; E05B
71/00; E05B 67/38; E05B 2067/386;
F16B 2/10; F16B 2/185; B62K 19/40;
B25B 5/04

See application file for complete search history.

FIG. 1 is a front view of a bicycle lock holder in accordance
with our new design showing the cross bar in a closed
position;

FIG. 2 is a left side view thereof;

FIG. 3 is a right side view thereof;

FIG. 4 is a rear view thereof;

FIG. 5 is a top view thereof;

FIG. 6 is a bottom view thereof;

FIG. 7 is a front perspective view thereof with the cross bar
in a closed position;

FIG. 8 is a rear perspective view thereof with the cross bar
in a closed position;

FIG. 9 is a front perspective view thereof with the cross bar
in an opened position; and,

FIG. 10 is a top view thereof with the cross bar in an opened
position.

The contour lines depict illustration only, and form no part
of the claimed design.

(56) **References Cited**

U.S. PATENT DOCUMENTS

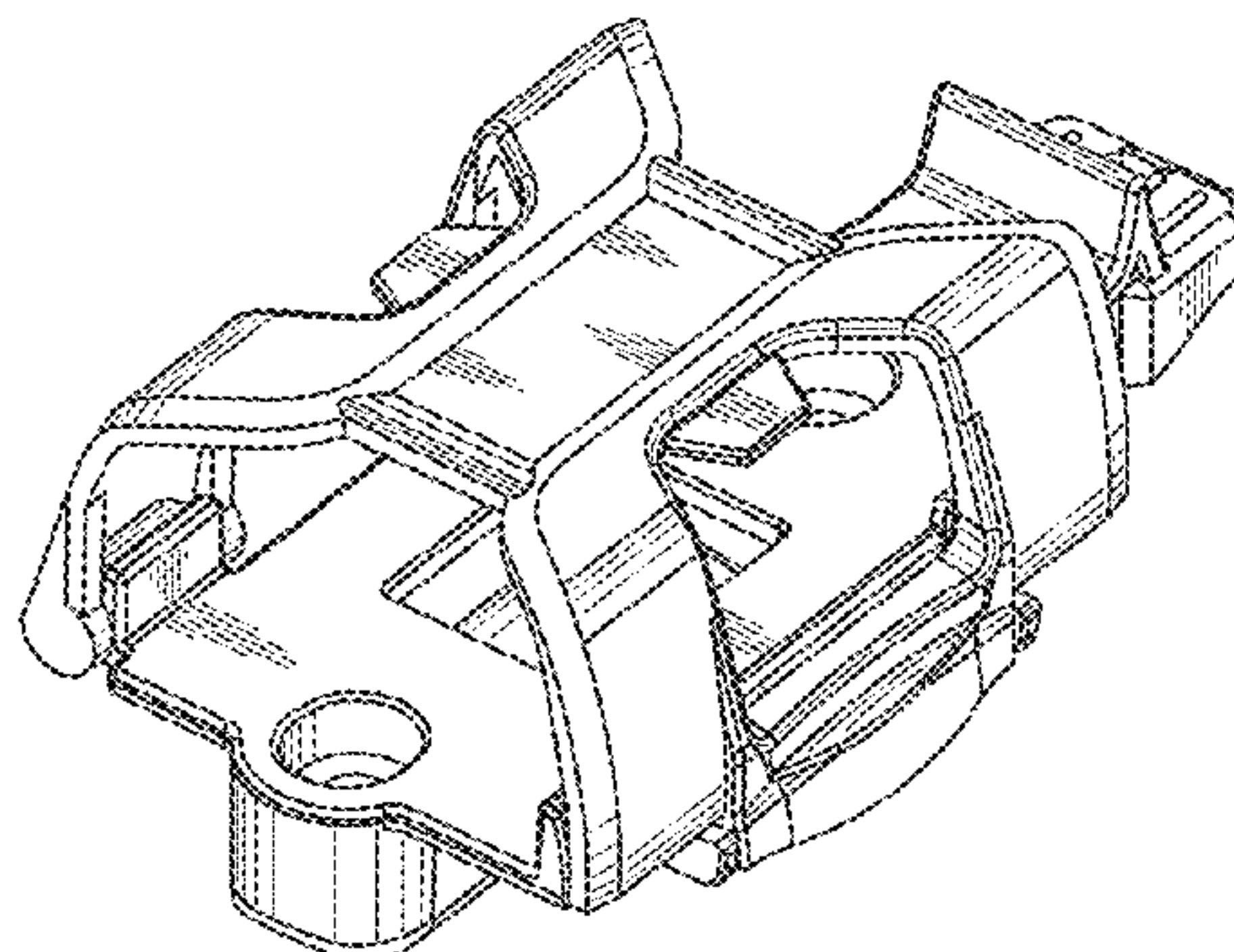
4,269,049 A * 5/1981 Henderson E05B 71/00
211/20

5,145,138 A * 9/1992 Schlanger B62J 11/00
224/414

5,179,590 A * 1/1993 Wang B60R 11/0241
224/482

5,201,501 A * 4/1993 Fassler B23Q 1/76
269/156

1 Claim, 10 Drawing Sheets



(56)

References Cited

U.S. PATENT DOCUMENTS

5,458,308 A *	10/1995	Lin	B62J 11/00	224/425	6,557,808 B1 *	5/2003	Ling	B62H 5/00	224/425
5,538,167 A *	7/1996	Winner	B62J 11/00	224/425	7,311,233 B2 *	12/2007	Chen	B62J 11/00	224/425
5,572,776 A *	11/1996	Murphy	F16B 2/10	24/487	7,920,905 B2 *	4/2011	Bury	B60R 11/0241	379/445
5,785,289 A *	7/1998	Shieh	B62H 5/003	248/230.1	8,851,348 B2 *	10/2014	Zuraski	B62H 5/00	224/425
6,056,332 A *	5/2000	Foster	F16L 23/10	24/285	8,973,880 B2 *	3/2015	Goffman	B62J 11/00	248/230.4
6,059,245 A *	5/2000	Hermansen	B62J 11/00	248/311.2	8,998,048 B1 *	4/2015	Wu	B62J 11/00	224/420
6,422,442 B1 *	7/2002	McDaid	B62H 5/00	224/441	D778,140 S *	2/2017	Heinemann	D8/343	
6,520,466 B1 *	2/2003	Blanchard, III	G06F 1/1628	248/300	D809,367 S *	2/2018	Kuo	D8/331	
						2002/0113185 A1 *	8/2002	Ziegler	B62J 11/00	248/309.1
						2016/0215527 A1	7/2016	Steinkamp			
						2016/0369531 A1 *	12/2016	Hommel	B62H 5/00	
						2017/0267305 A1	9/2017	Muller			

* cited by examiner

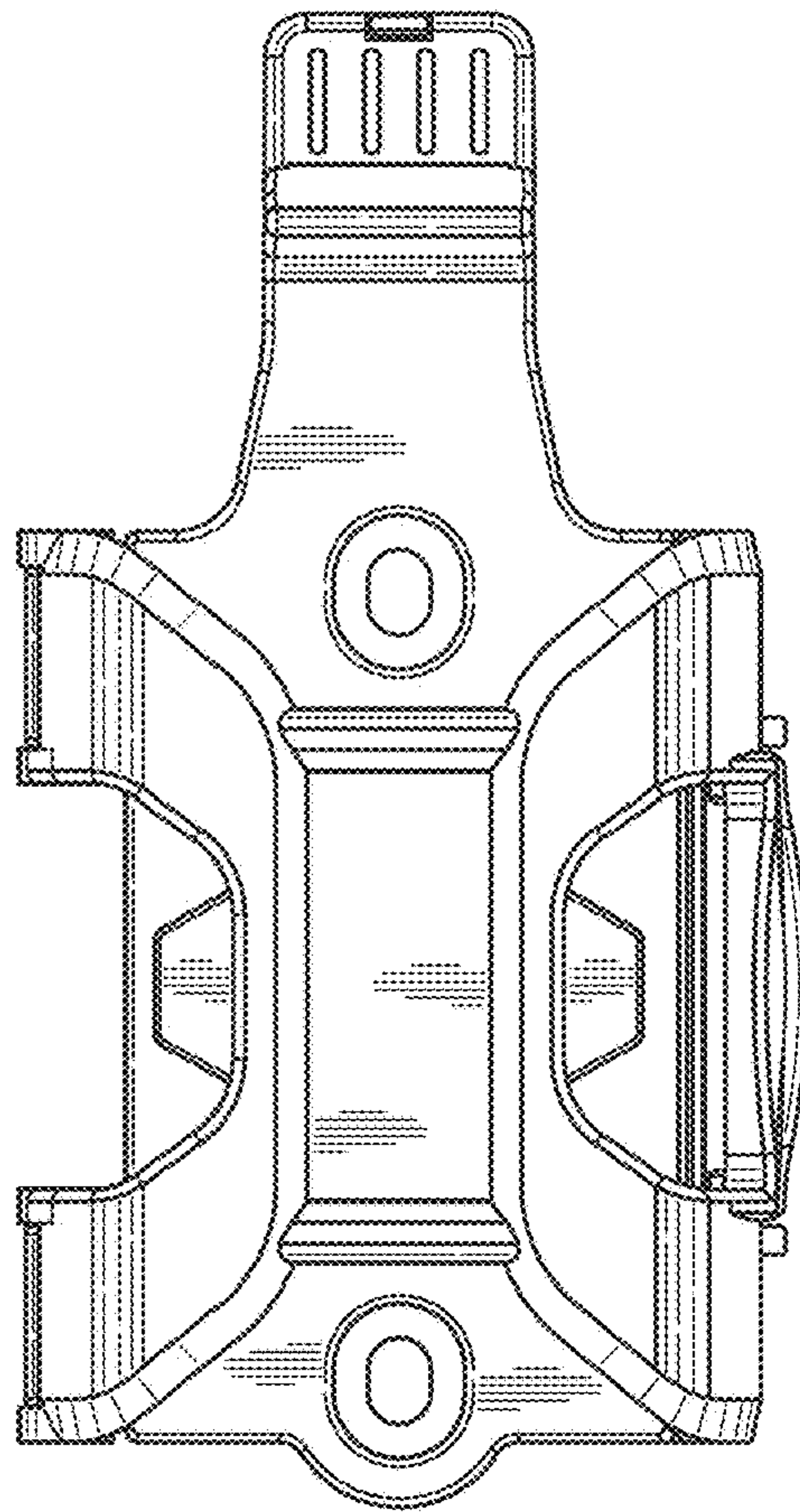


FIG. 1

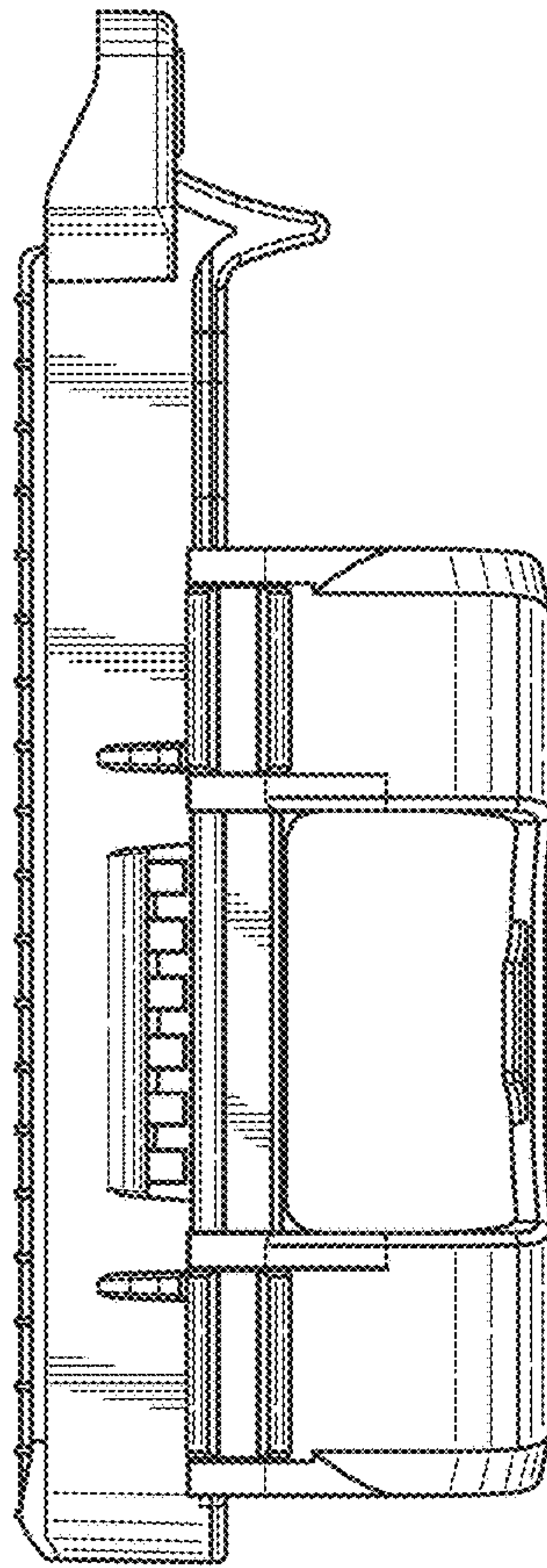


FIG. 2

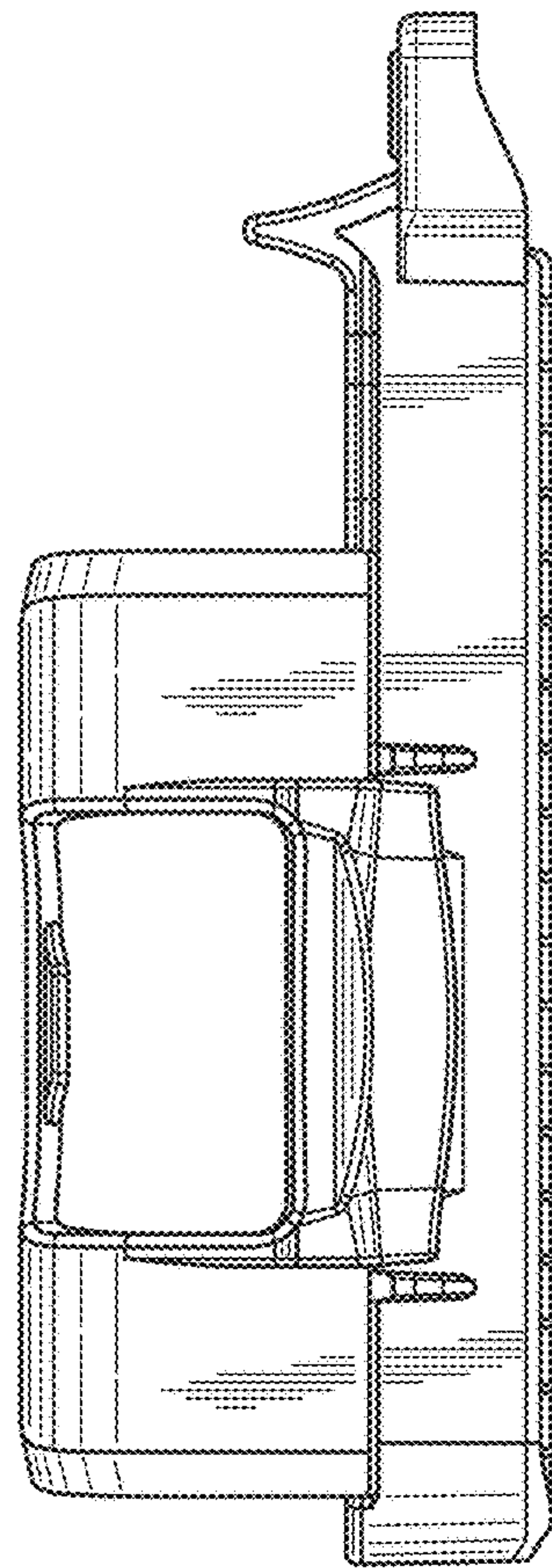


FIG. 3

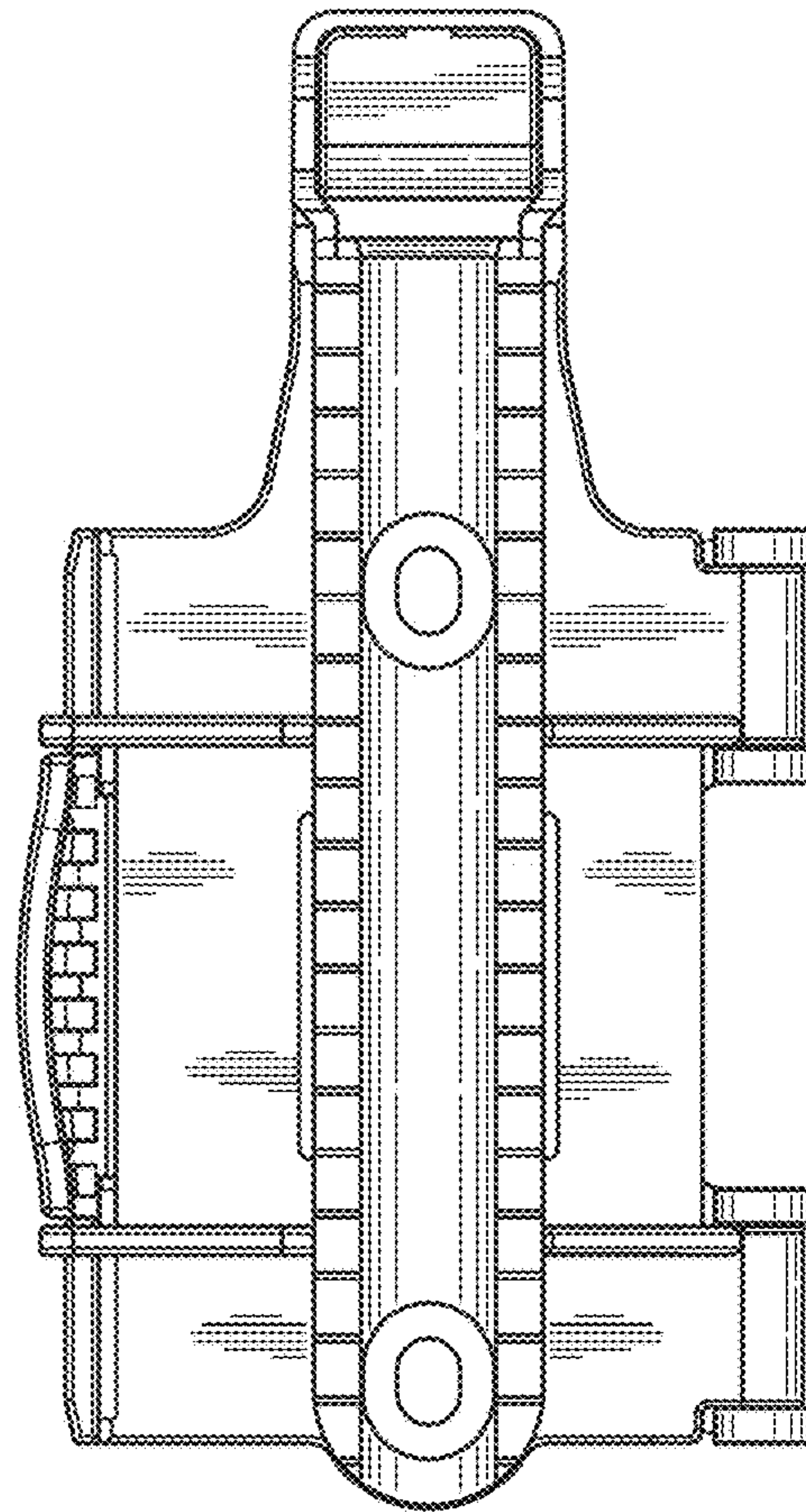


FIG. 4

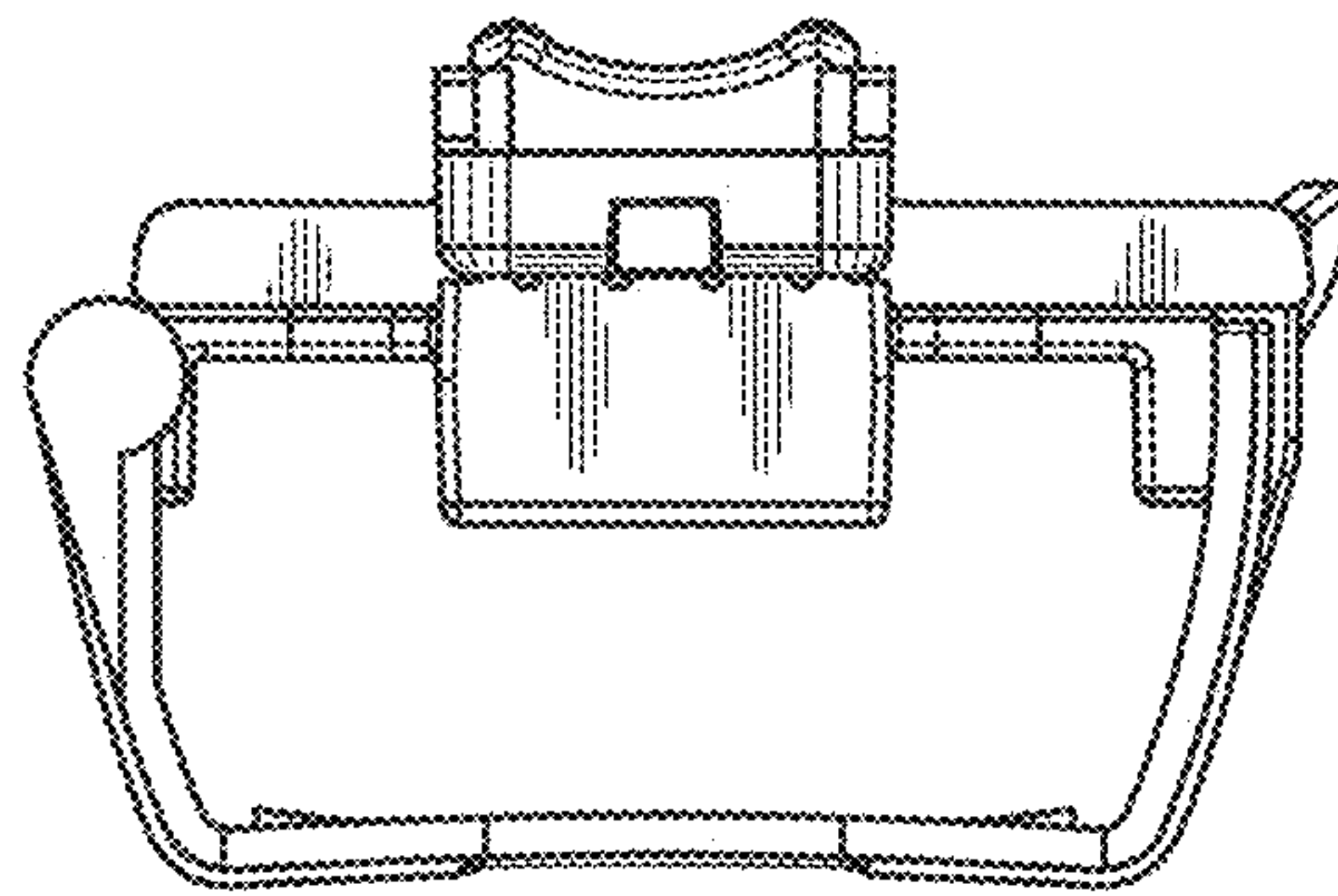


FIG. 5

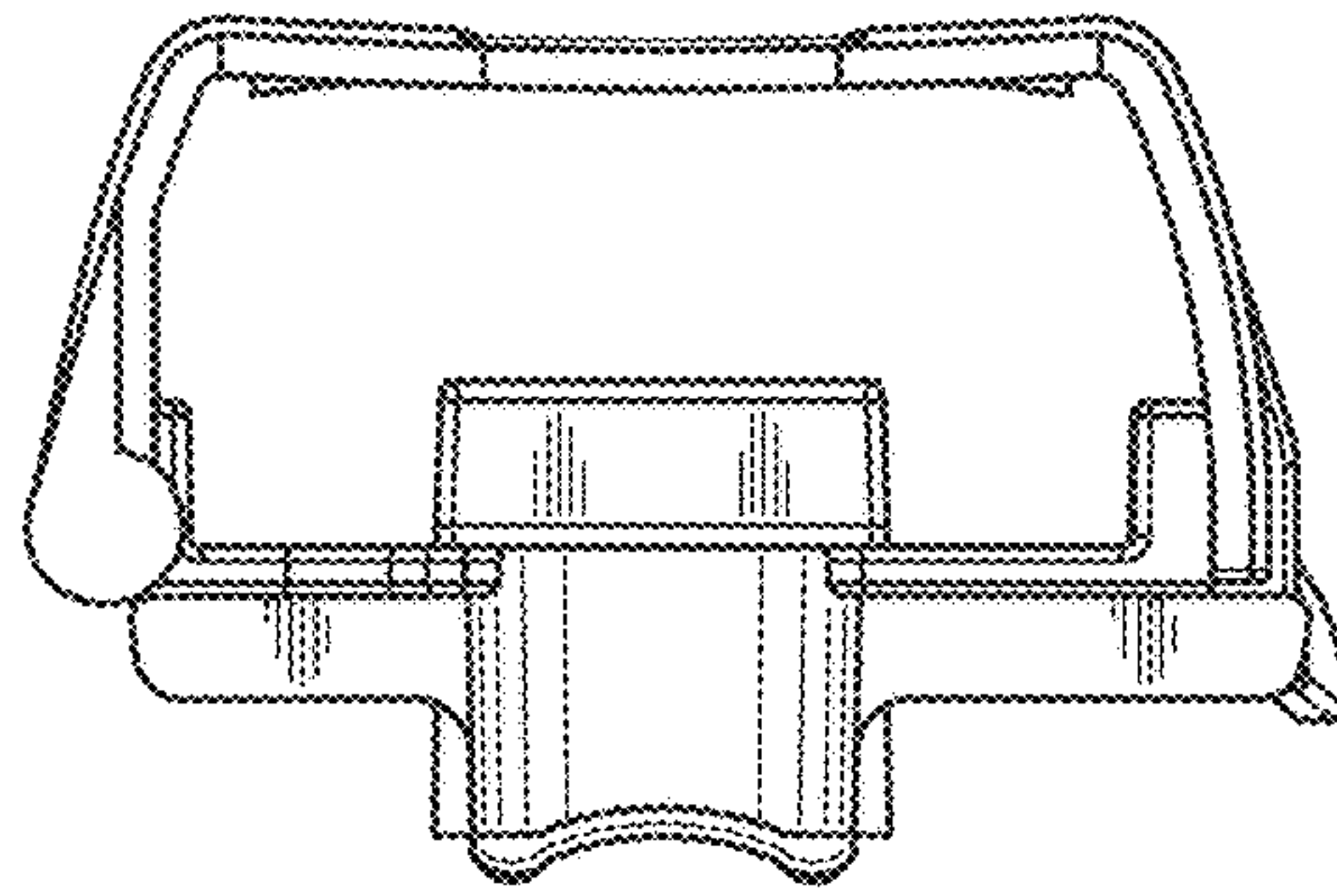


FIG. 6

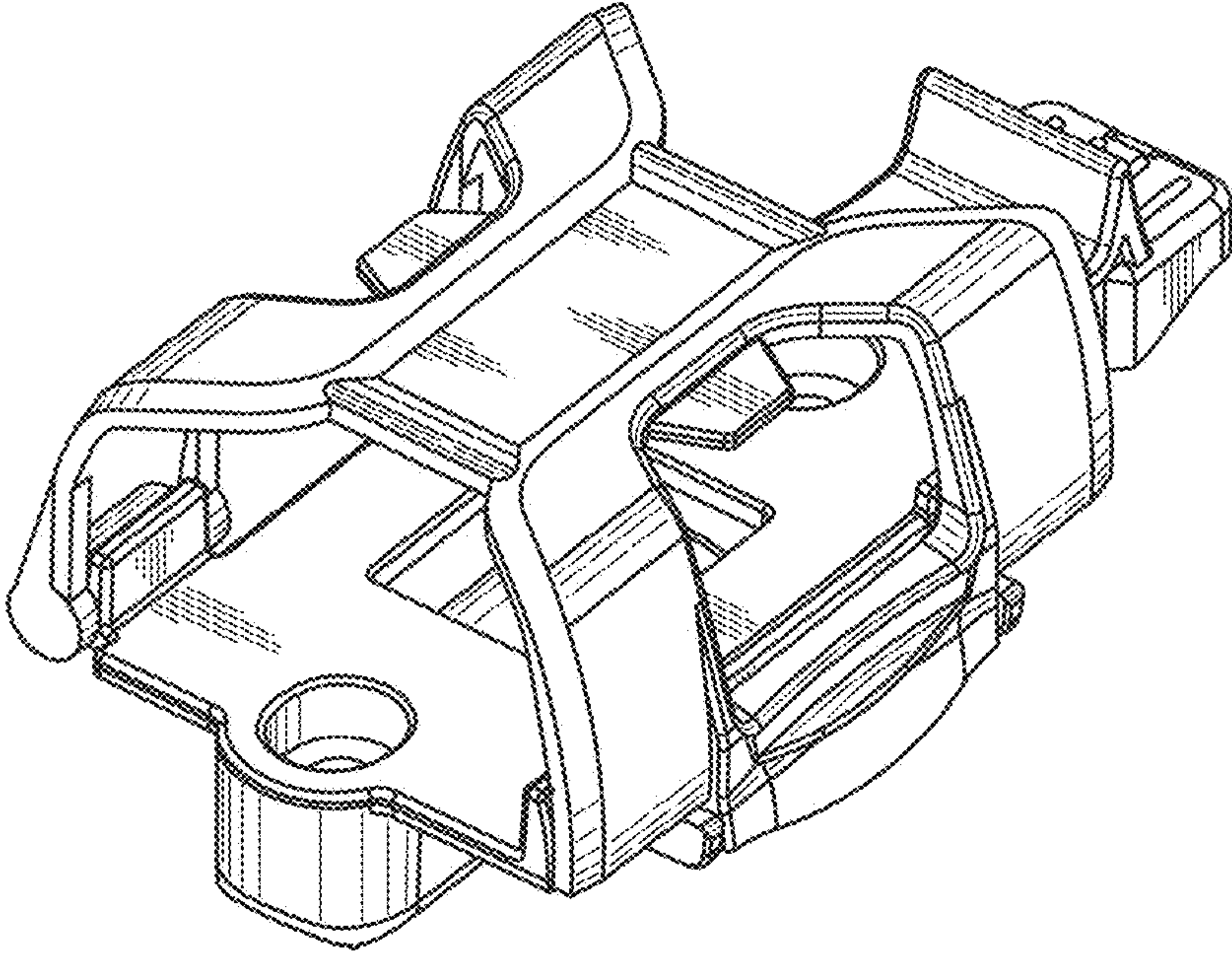


FIG. 7

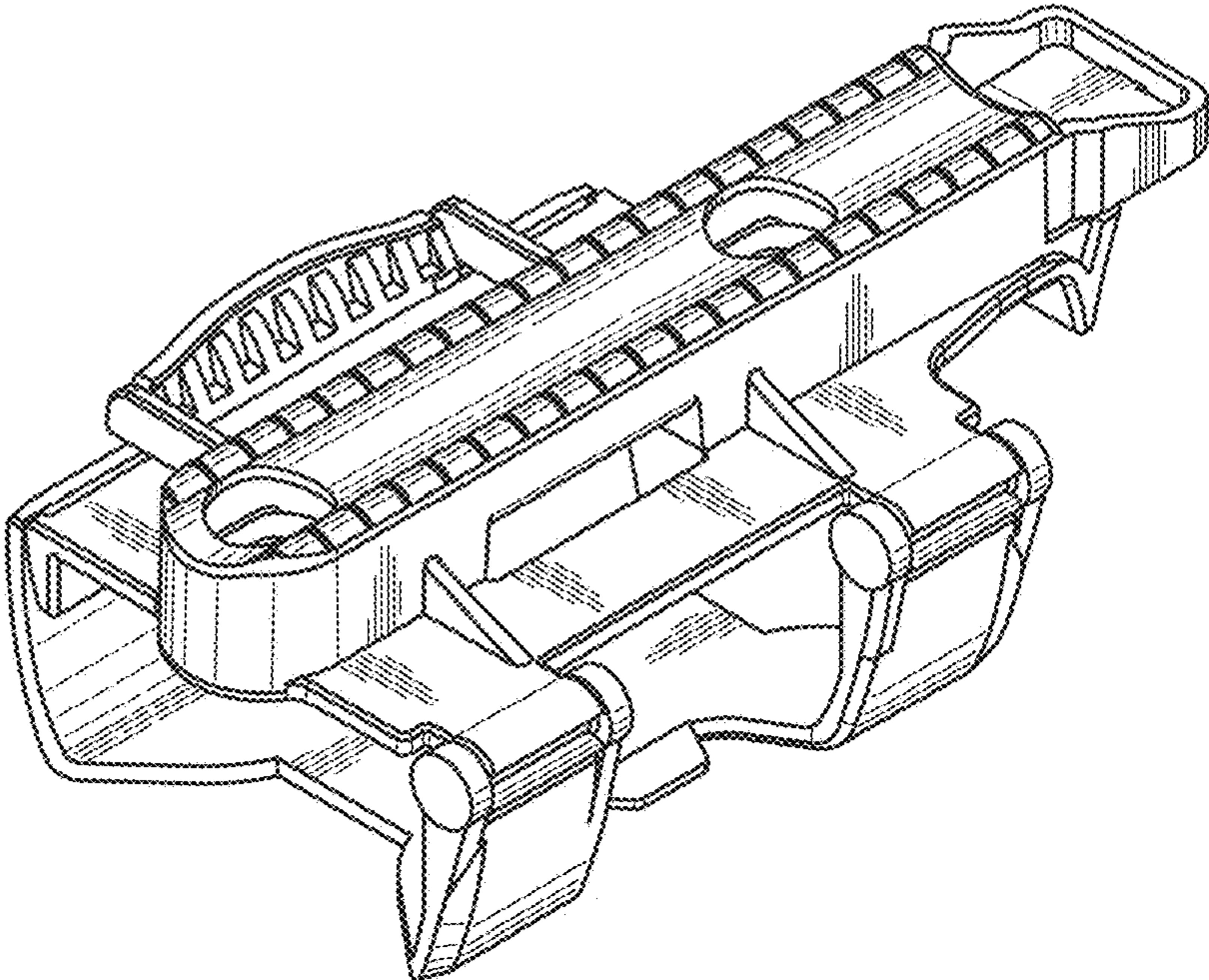


FIG. 8

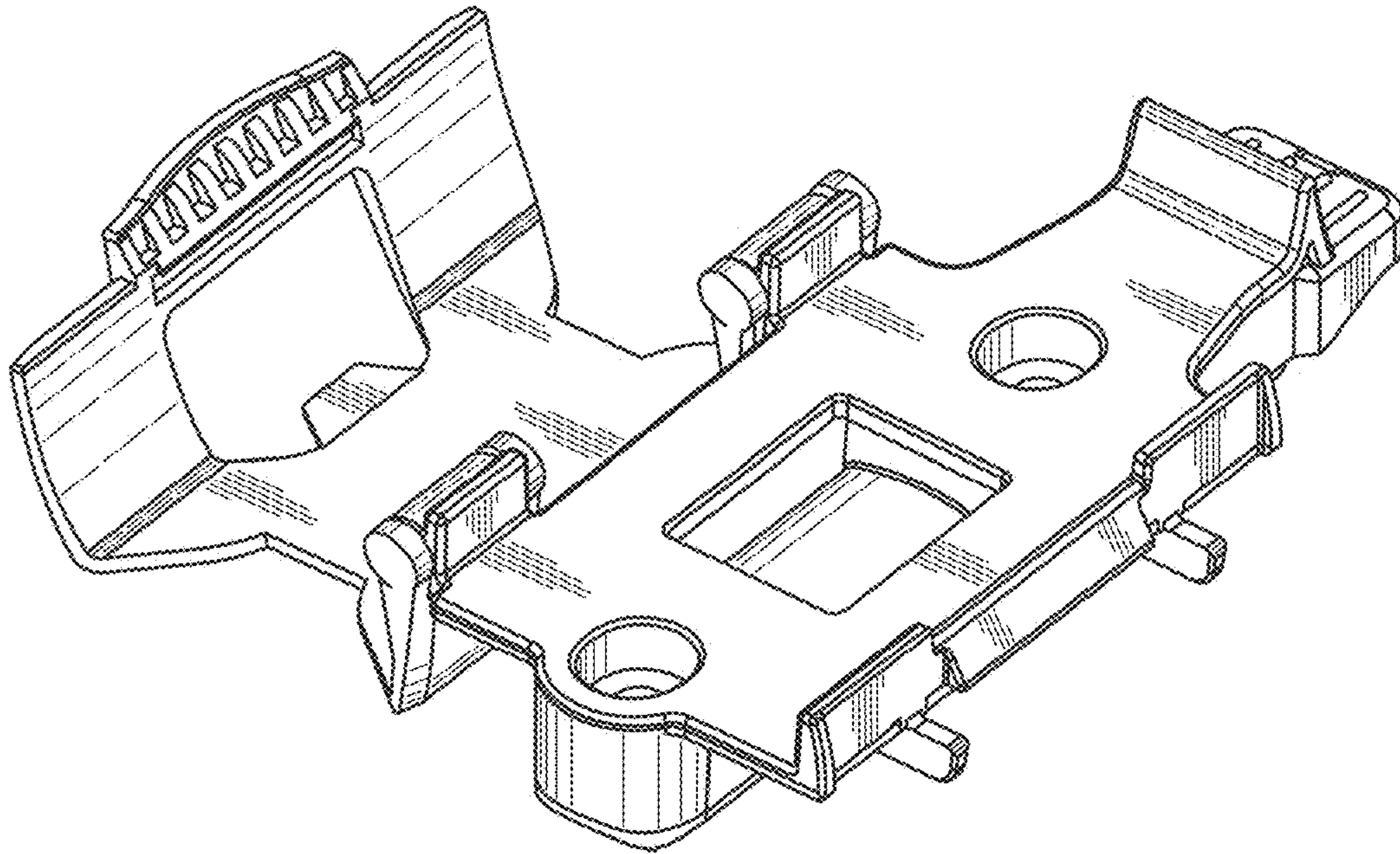


FIG. 9

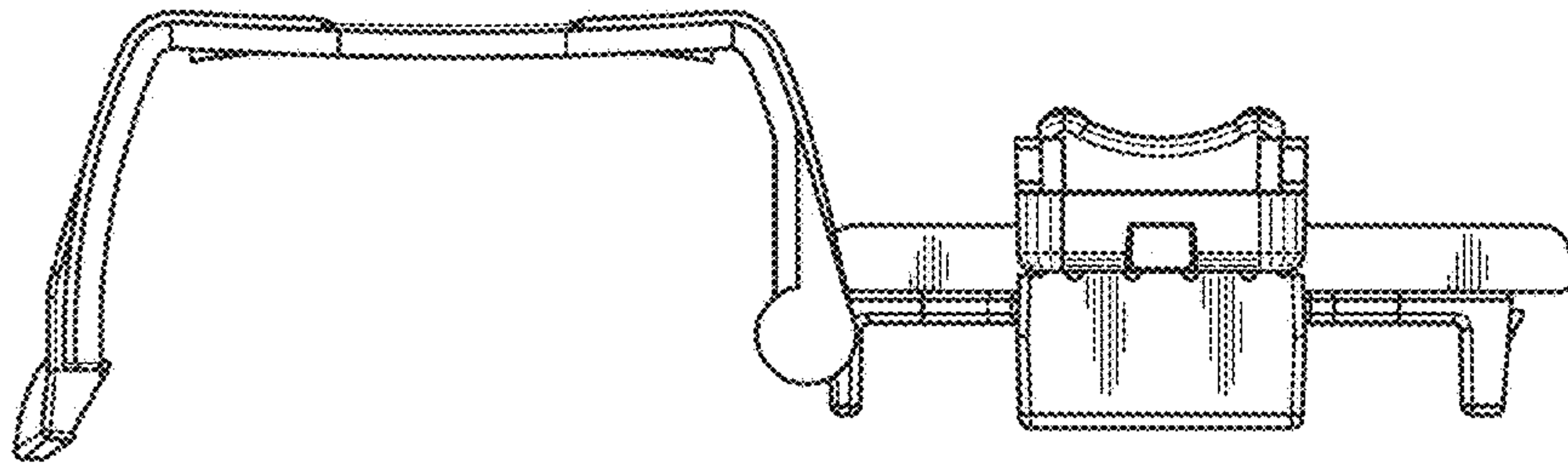


FIG. 10