



US00D847604S

(12) **United States Design Patent** (10) **Patent No.:** **US D847,604 S**
Stinson (45) **Date of Patent:** **** May 7, 2019**

(54) **SAFETY KNIFE BLADE**
(71) Applicant: **MADI, LLC**, Greenville, SC (US)
(72) Inventor: **Ralph Dudley Stinson**, Lutz, FL (US)
(73) Assignee: **MADI, LLC**, Greenville, SC (US)
(**) Term: **15 Years**
(21) Appl. No.: **29/627,490**
(22) Filed: **Nov. 28, 2017**
(51) **LOC (11) Cl.** **08-03**
(52) **U.S. Cl.**
USPC **D8/99**; D8/20
(58) **Field of Classification Search**
USPC D8/14, 20, 51, 98, 99, 100, 105;
D22/118; D7/649, 650
CPC .. B26B 1/00; B26B 1/102; B26B 1/04; B26B
1/042; B26B 1/046; B26B 3/00; B26B
9/00; B26B 9/02
See application file for complete search history.

(56) **References Cited**
U.S. PATENT DOCUMENTS
1,546,975 A * 7/1925 Feller A22C 25/006
30/286
D246,281 S * 11/1977 Ferrara, Jr. D7/649
4,387,510 A * 6/1983 Hashemifard B26B 23/00
30/309
D282,097 S * 1/1986 Nativo D22/118
4,565,004 A * 1/1986 Heinz B26B 3/08
30/314
D332,383 S * 1/1993 Hagler D8/98
D344,006 S * 2/1994 Glesser D22/118
D349,837 S * 8/1994 Glesser D8/20
D442,459 S * 5/2001 Wilkinson D15/139
6,318,218 B1 * 11/2001 Anderson B25F 1/003
7/118

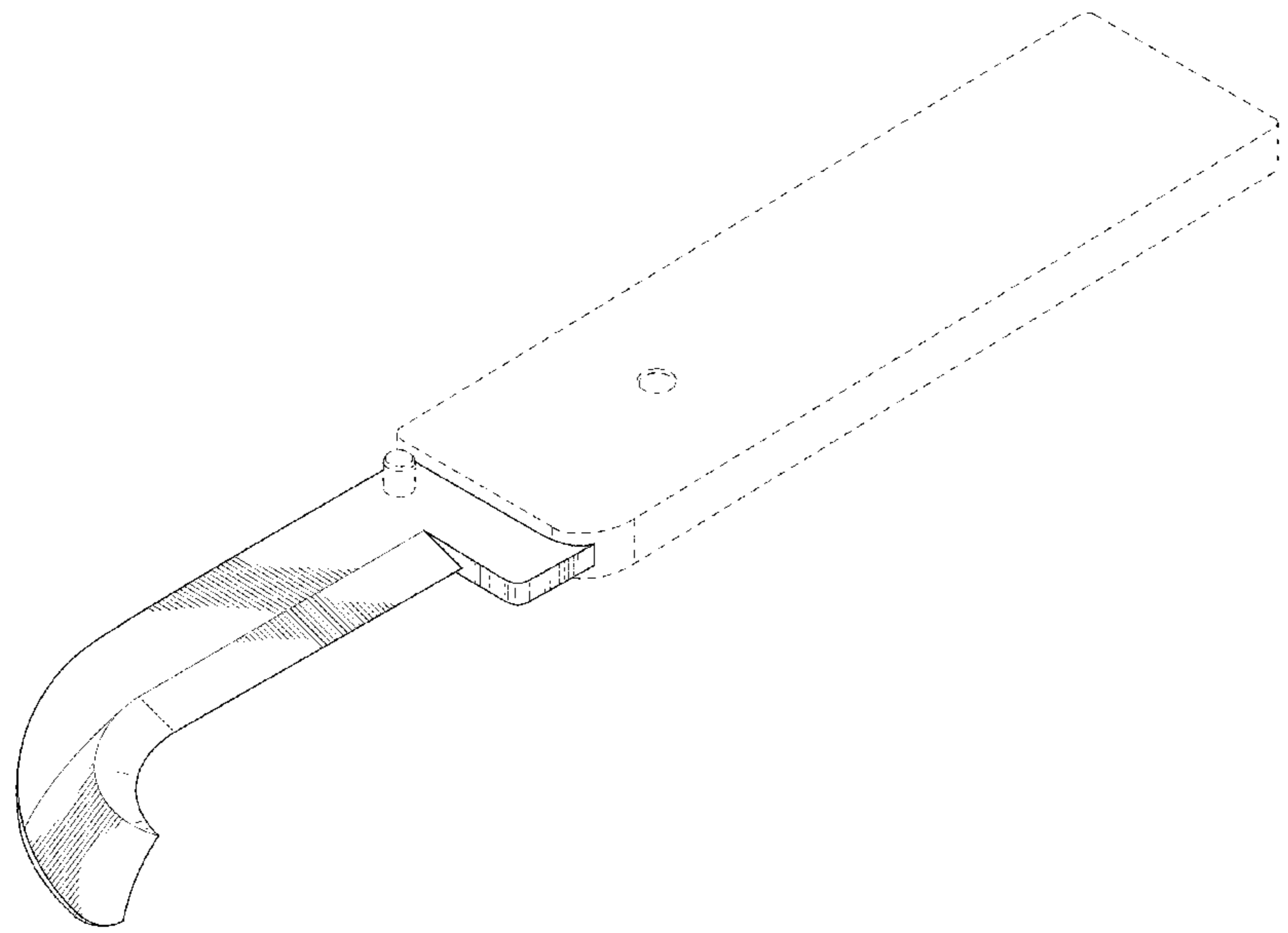
7,214,127 B1 * 5/2007 Thompson A22B 5/168
452/103
D581,240 S * 11/2008 Glesser D8/99
D622,805 S * 8/2010 Bloch D22/118
8,375,589 B2 * 2/2013 Bremer B26B 1/046
30/155
D689,545 S * 9/2013 Present D19/110
D697,781 S * 1/2014 Trbovich D8/99
9,061,426 B2 * 6/2015 Harvey B26B 1/042
D749,921 S * 2/2016 Sanchez D8/7
D803,656 S * 11/2017 Stinson D8/99

* cited by examiner
Primary Examiner — Philip S Hyder
(74) *Attorney, Agent, or Firm* — Trego, Hines &
Landenheim, PLLC; Brandon Trego; Jonathan Hines

(57) **CLAIM**
I claim the ornamental design for a safety knife blade, as
shown and described.

DESCRIPTION
FIG. 1 is a perspective view of a safety knife blade, showing
my design;
FIG. 2 is a right side elevation of the safety knife blade of
FIG. 1;
FIG. 3 is a left side elevation of the safety knife blade of
FIG. 1;
FIG. 4 is a top view of the safety knife blade of FIG. 1;
FIG. 5 is a bottom view of the safety knife blade of FIG. 1;
FIG. 6 is a front elevation of the safety knife blade of FIG.
1; and,
FIG. 7 is a rear elevation of the safety knife blade of FIG.
1.
The broken line showing of the knife handle is provided for
purposes of environment and forms no part of the claimed
design.

1 Claim, 4 Drawing Sheets



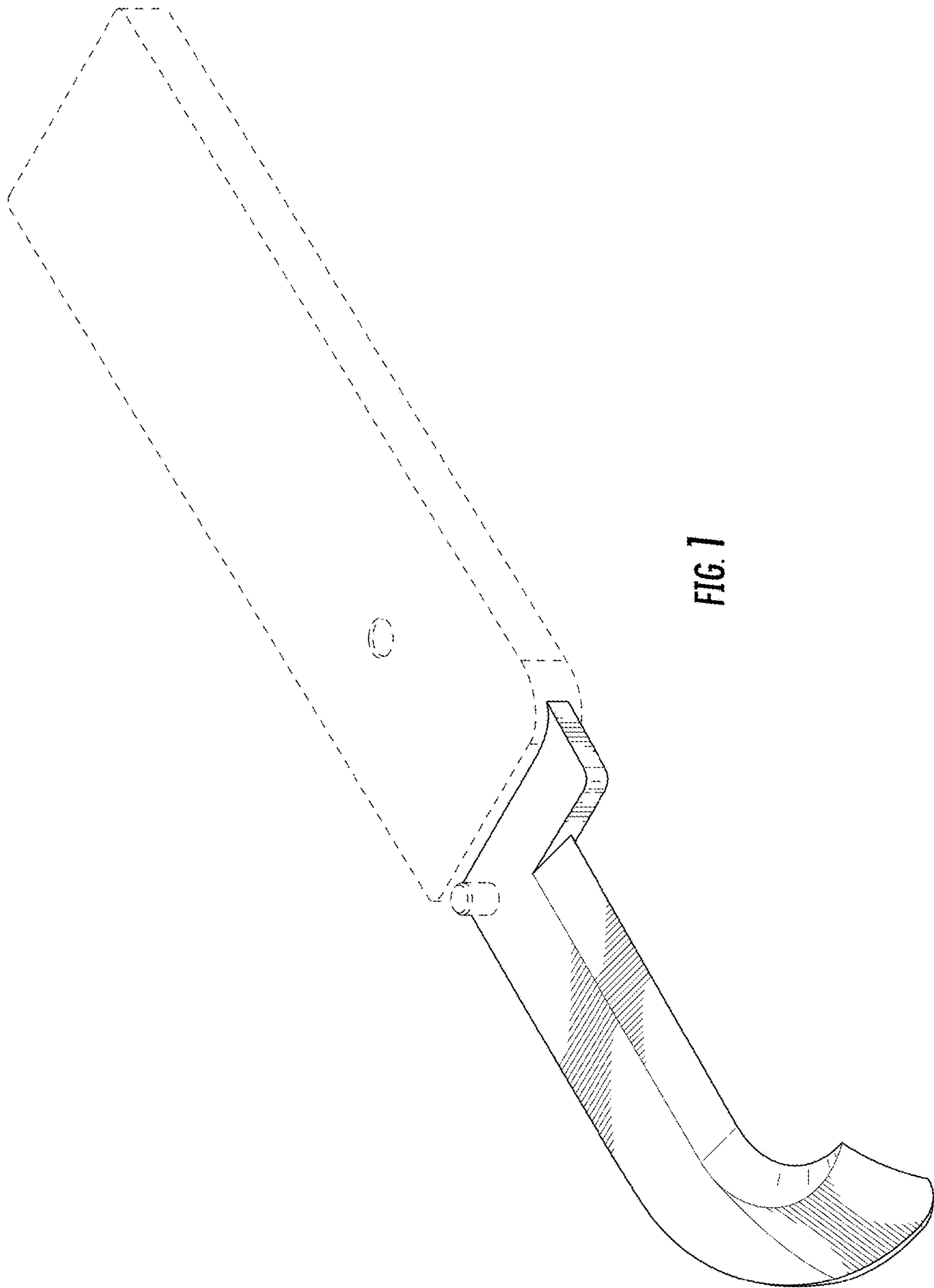


FIG. 1

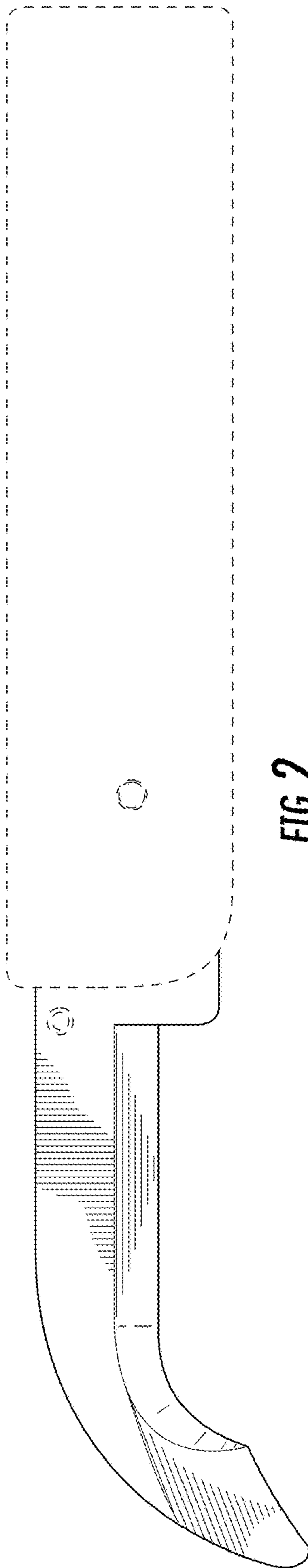


FIG. 2

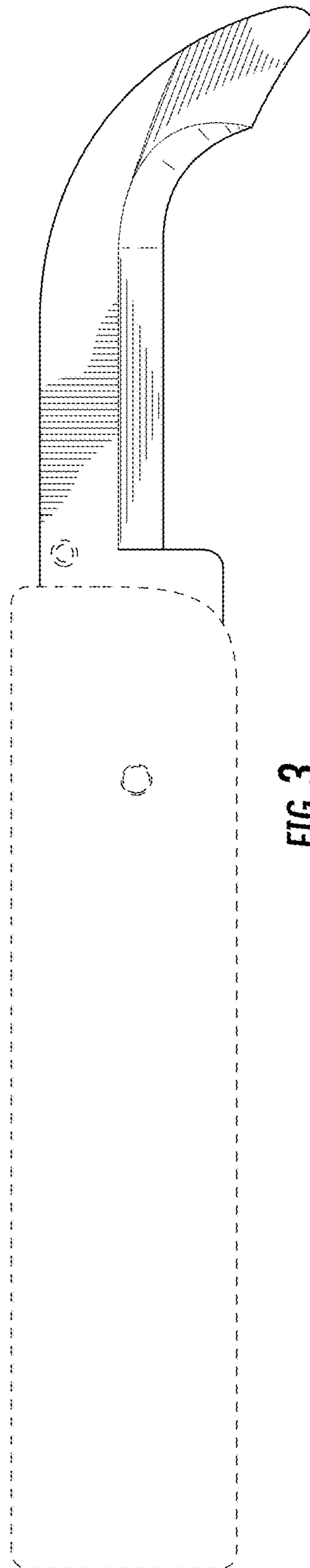


FIG. 3

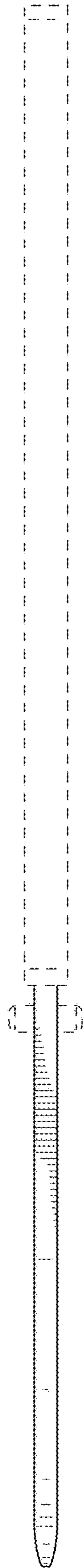


FIG. 4

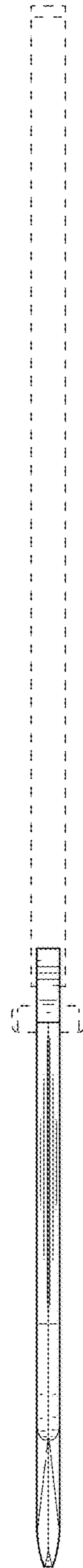


FIG. 5

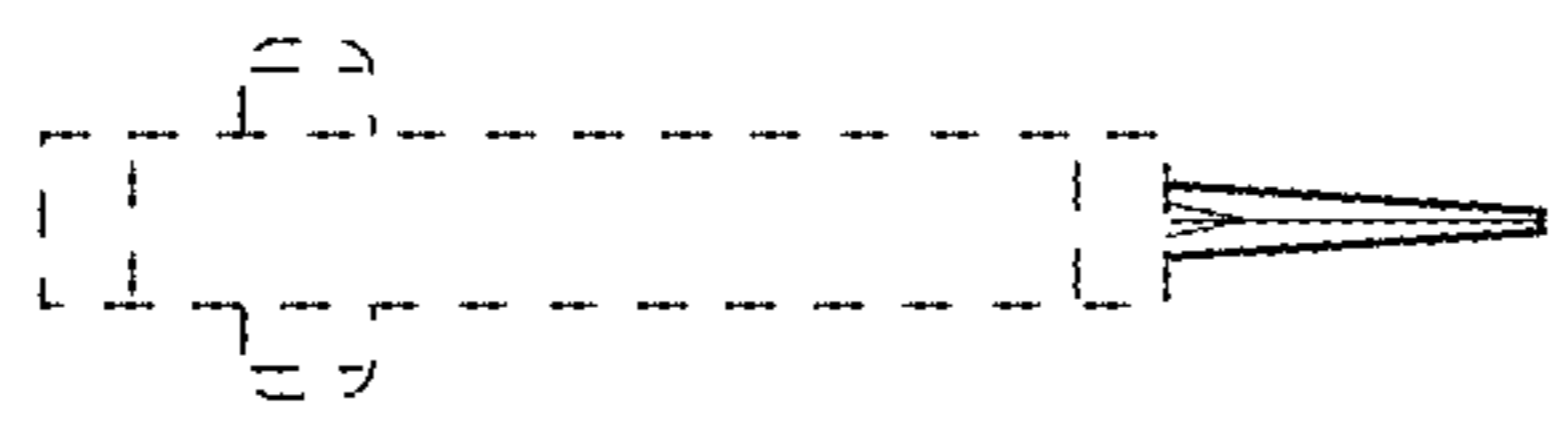


FIG. 7

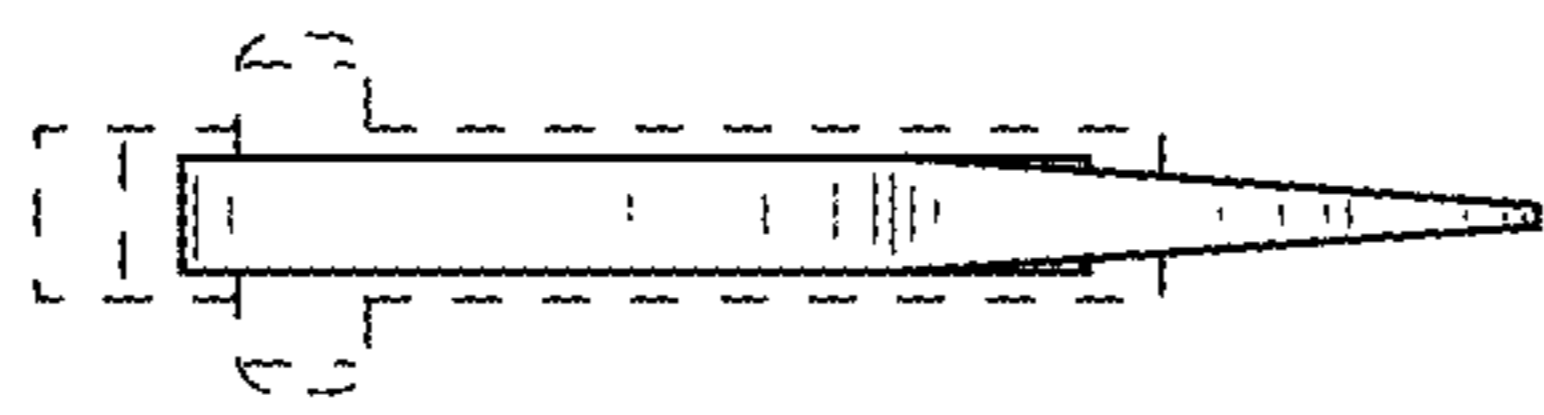


FIG. 6