



US00D847602S

(12) **United States Design Patent**
Wu

(10) **Patent No.:** **US D847,602 S**

(45) **Date of Patent:** **** May 7, 2019**

(54) **UTILITY KNIFE**

(71) Applicant: **Yuewei Wu**, Ningbo (CN)

(72) Inventor: **Yuewei Wu**, Ningbo (CN)

(**) Term: **15 Years**

(21) Appl. No.: **29/585,352**

(22) Filed: **Nov. 23, 2016**

(51) **LOC (11) Cl.** **08-03**

(52) **U.S. Cl.**
USPC **D8/99**

(58) **Field of Classification Search**
USPC D8/98, 99, 100, 101, 105, 107
CPC .. B26B 1/08; B26B 5/00; B26B 5/001; B26B
5/002; B26B 5/003; B26B 5/006; B26B
1/00
See application file for complete search history.

(56) **References Cited**

U.S. PATENT DOCUMENTS

D392,173 S * 3/1998 Okada D8/99
5,813,121 A * 9/1998 Gringer B26B 5/003
30/162

D458,106 S * 6/2002 Chong D8/99
D464,245 S * 10/2002 Jacquet D8/99
D565,382 S * 4/2008 Watanabe D8/99
D598,265 S * 8/2009 Wu D8/99
D606,837 S * 12/2009 Watanabe D8/99

* cited by examiner

Primary Examiner — Philip S Hyder

(74) *Attorney, Agent, or Firm* — Gokalp Bayramoglu

(57) **CLAIM**

The ornamental design for a utility knife, as shown and described.

DESCRIPTION

FIG. 1 is a perspective view of a utility knife showing the new design;

FIG. 2 is a top view of the utility knife;

FIG. 3 is a bottom view of the utility knife;

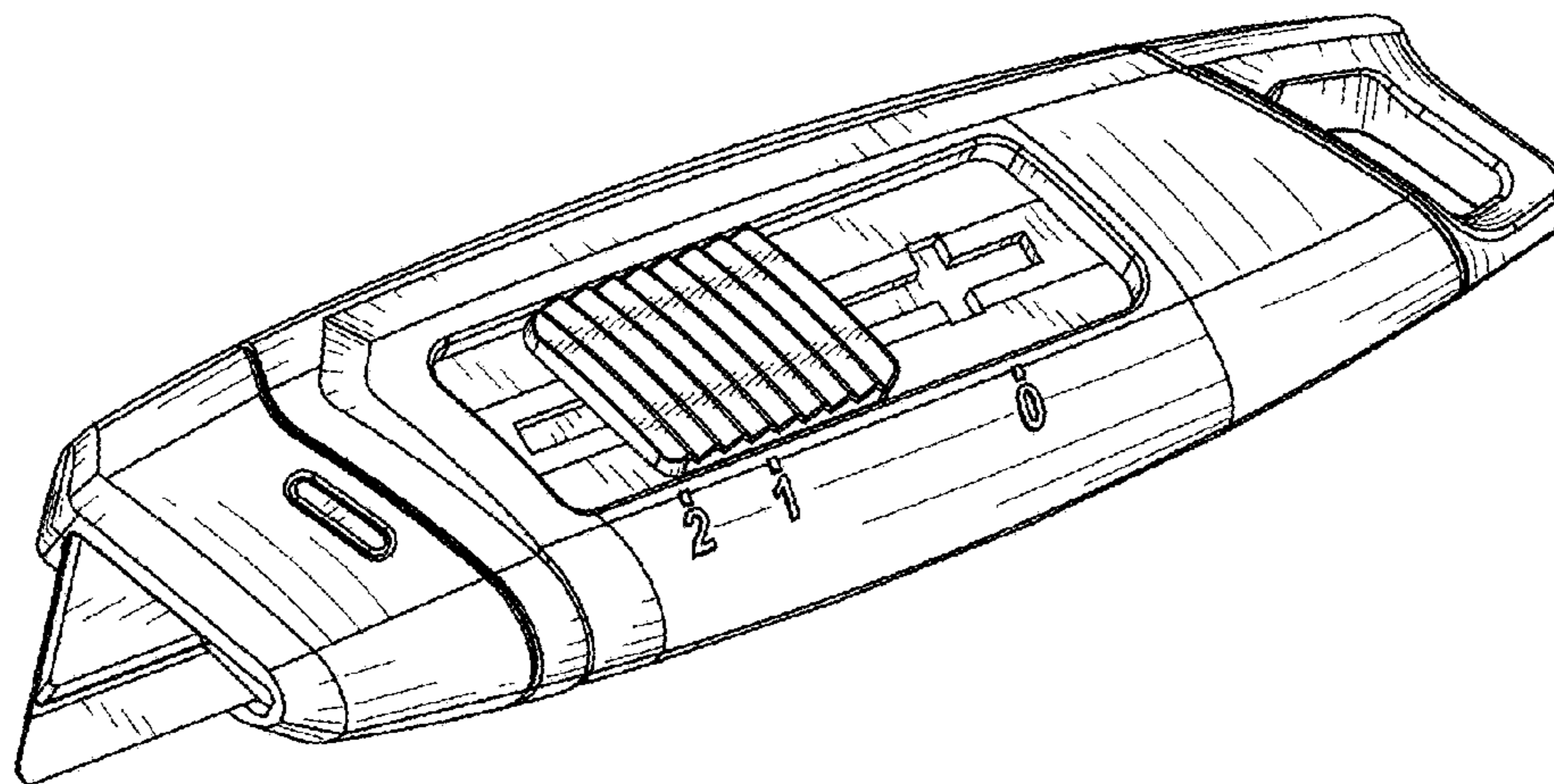
FIG. 4 is a left side view of the utility knife;

FIG. 5 is a right side view of the utility knife;

FIG. 6 is a front view of the utility knife; and,

FIG. 7 is a rear view of the utility knife.

1 Claim, 7 Drawing Sheets



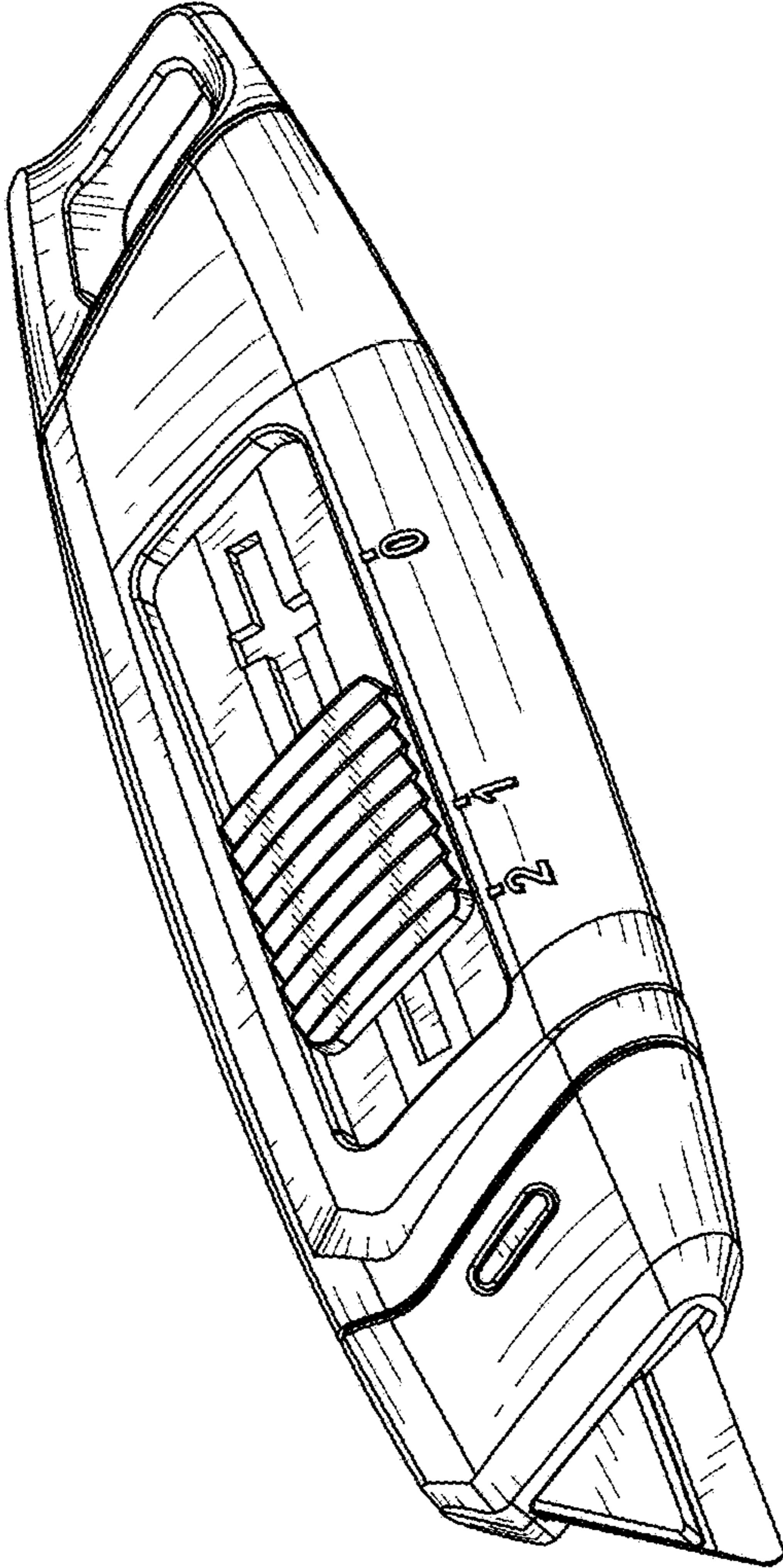


FIG. 1

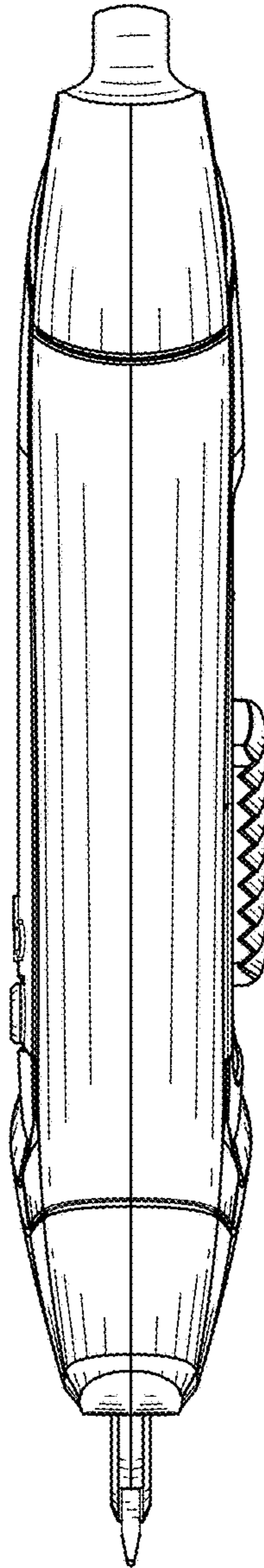


FIG. 2

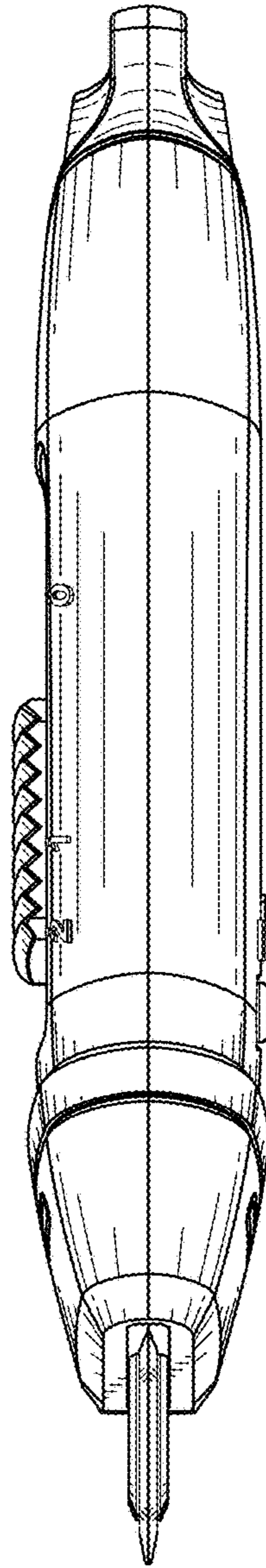


FIG. 3

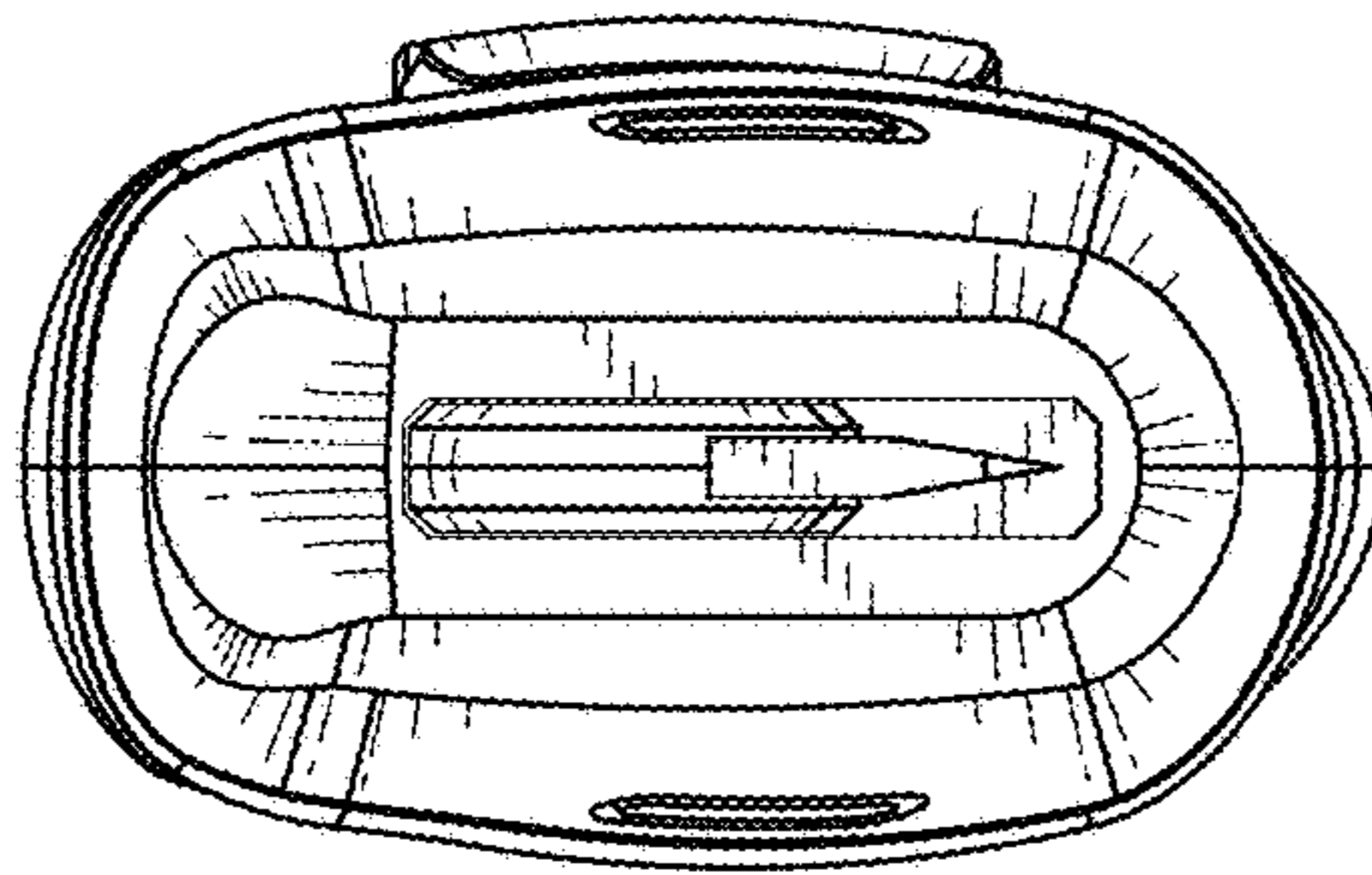


FIG. 4

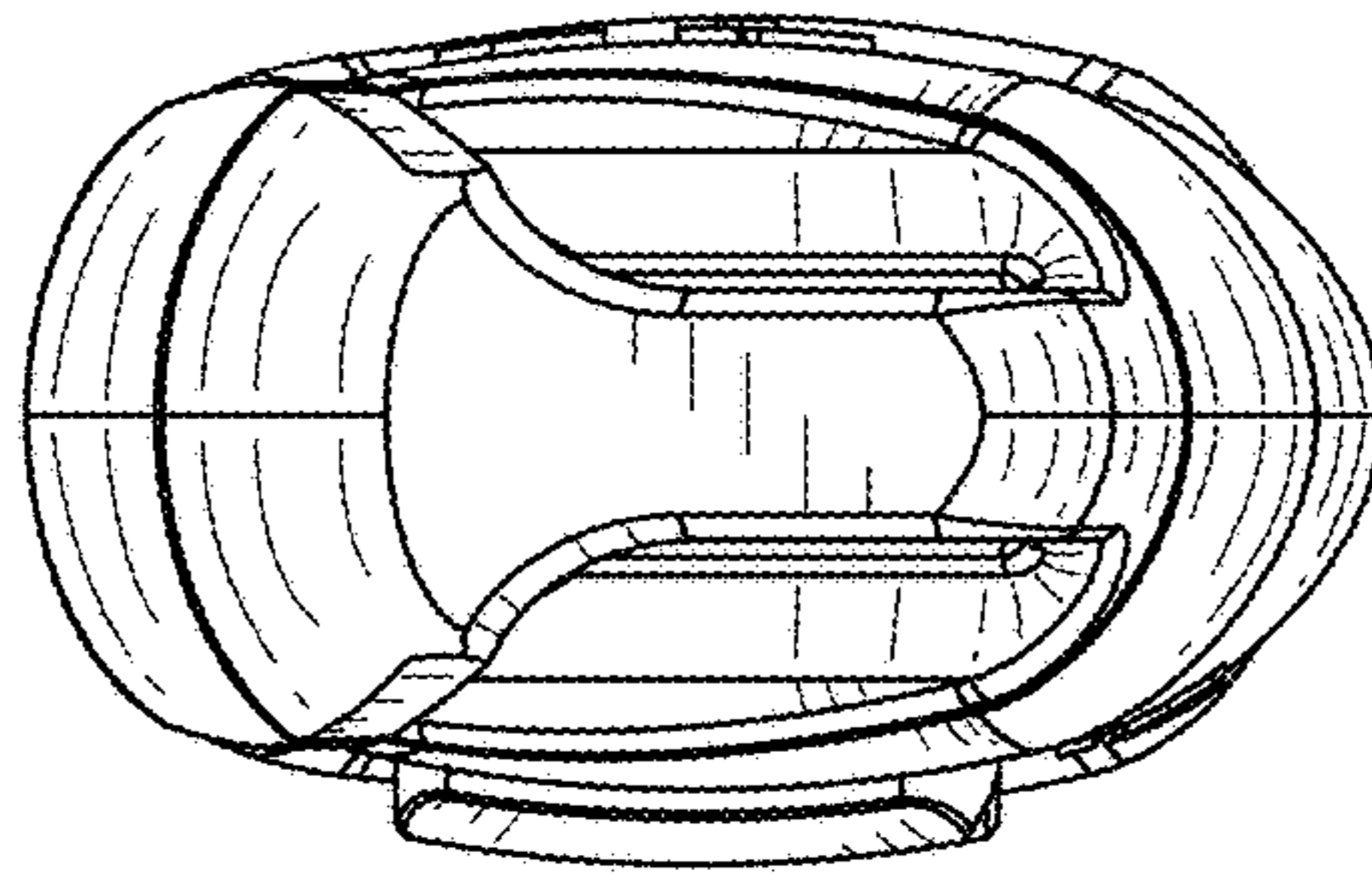


FIG. 5

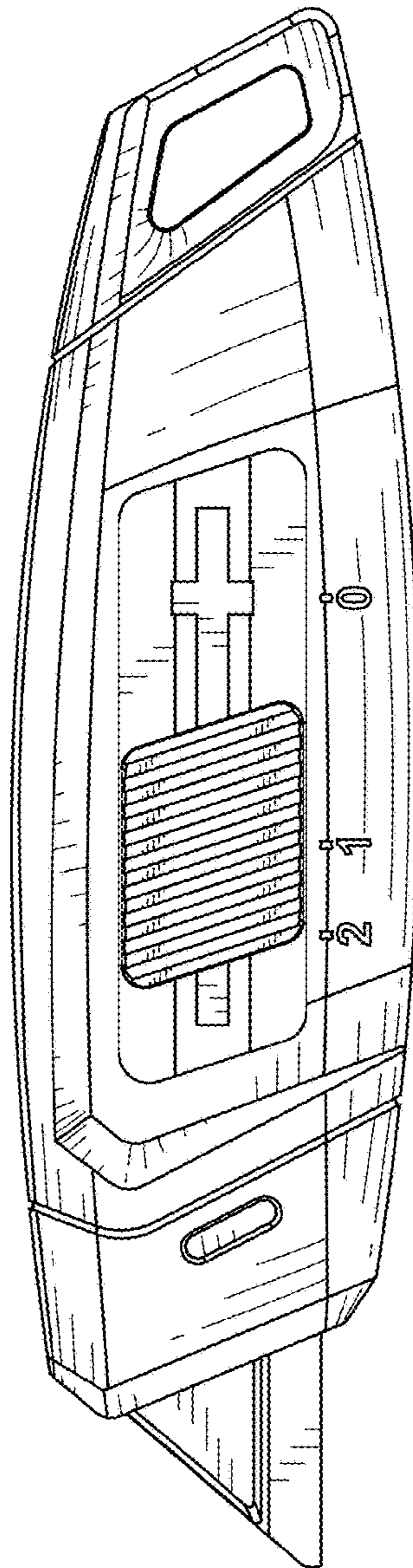


FIG. 6

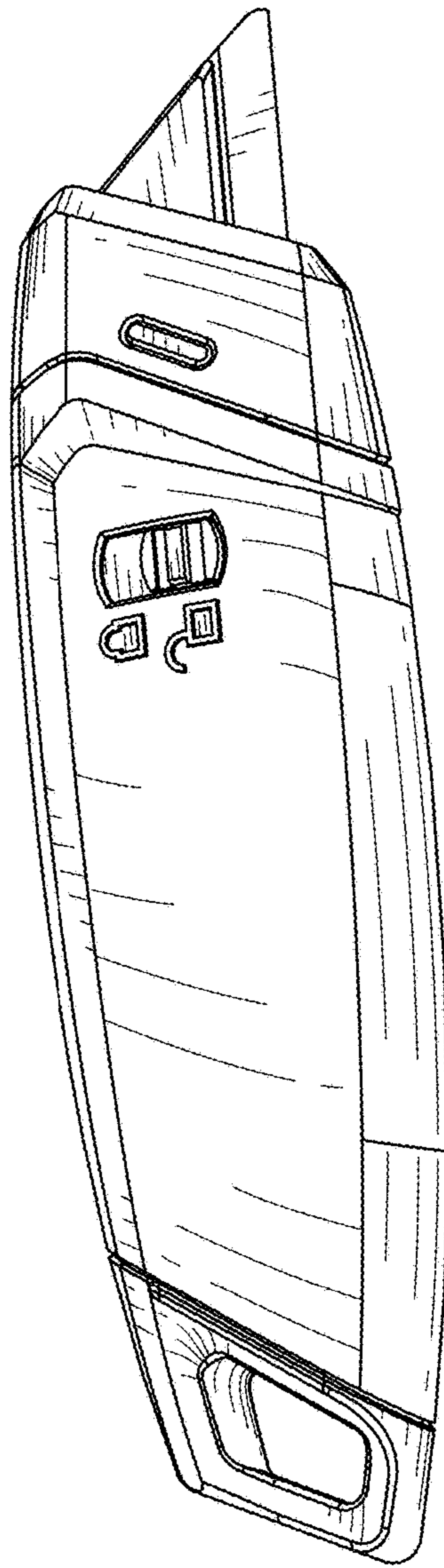


FIG. 7